

[54] TACKLE BOX

[75] Inventor: Charles A. Lanius, Prairie du Sac, Wis.

[73] Assignee: Flambeau Corporation, Baraboo, Wis.

[**] Term: 14 Years

[21] Appl. No.: 945,315

[22] Filed: Dec. 22, 1986

[52] U.S. Cl. D3/38; 312/DIG. 33; D3/76; 43/54.1

[58] Field of Search 312/DIG. 33; D3/76; 43/54.1; 224/202; 206/314

[56] References Cited

U.S. PATENT DOCUMENTS

D. 191,190	8/1961	Noyes	D3/76
1,575,875	3/1926	Szewczyk	43/54.1
3,155,231	11/1964	Vinas	206/314
3,159,441	12/1964	Sikma	43/54.1 X

Primary Examiner—James R. Largen
Assistant Examiner—Y. Brunot
Attorney, Agent, or Firm—Allegretti & Witcoff, Ltd.

[57] CLAIM

The ornamental design for a tackle box, as shown and described.

DESCRIPTION

FIG. 1 is a top, front, left side perspective view of a tackle box showing my new design; FIG. 2 is another top, front and left side perspective view thereof, showing the front cover in an open position; FIG. 3 is a perspective view thereof, showing the covers in open positions, the tray in an exploded position and the lower drawer partially open; FIG. 4 is a left side elevational view of FIG. 1; FIG. 5 is a top plan view of FIG. 1; FIG. 6 is a front elevational view of FIG. 1; FIG. 7 is a right side elevational view of FIG. 1; FIG. 8 is a rear elevational view of FIG. 1; and FIG. 9 is a bottom plan view of FIG. 1.

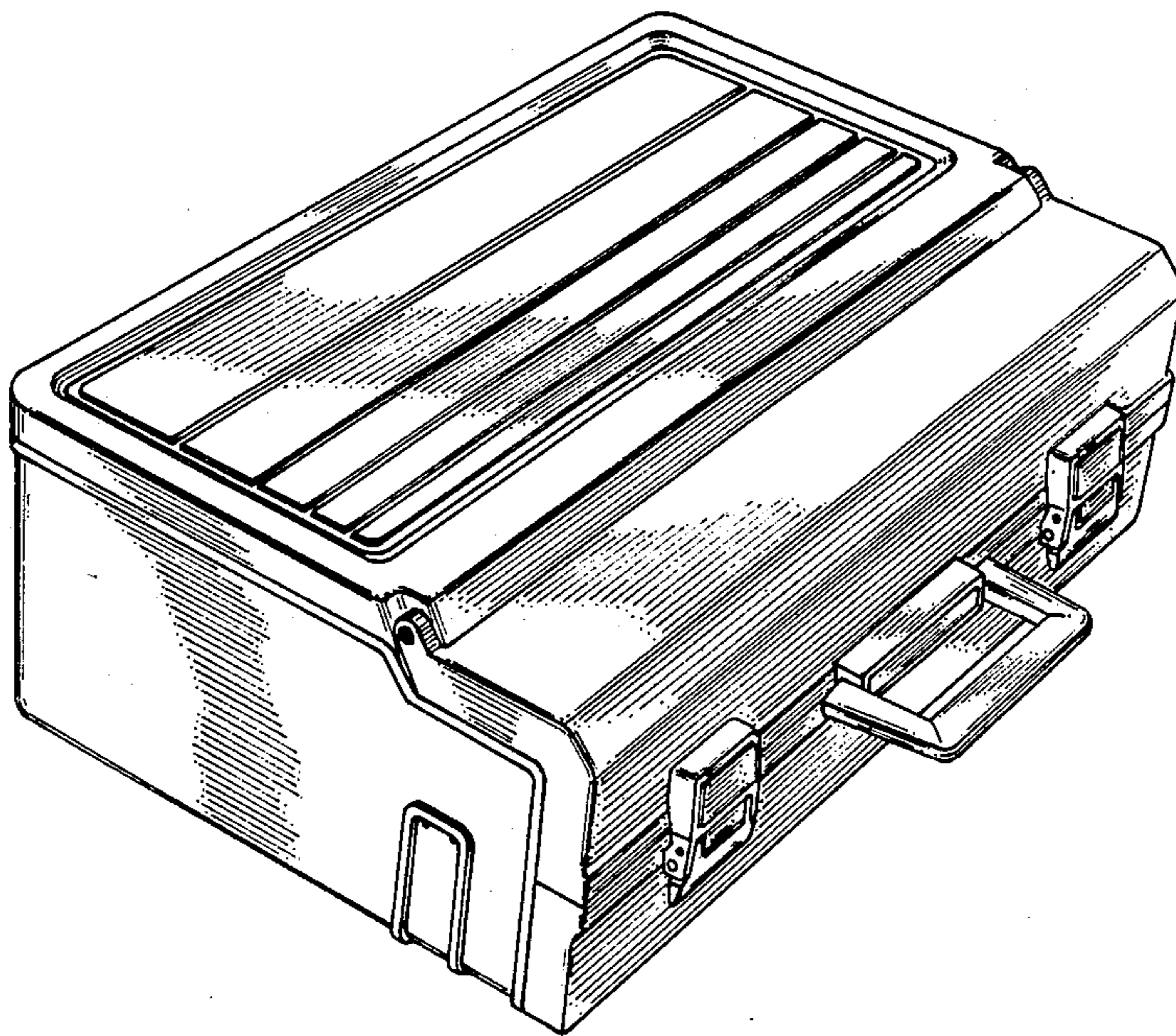


Fig. 1

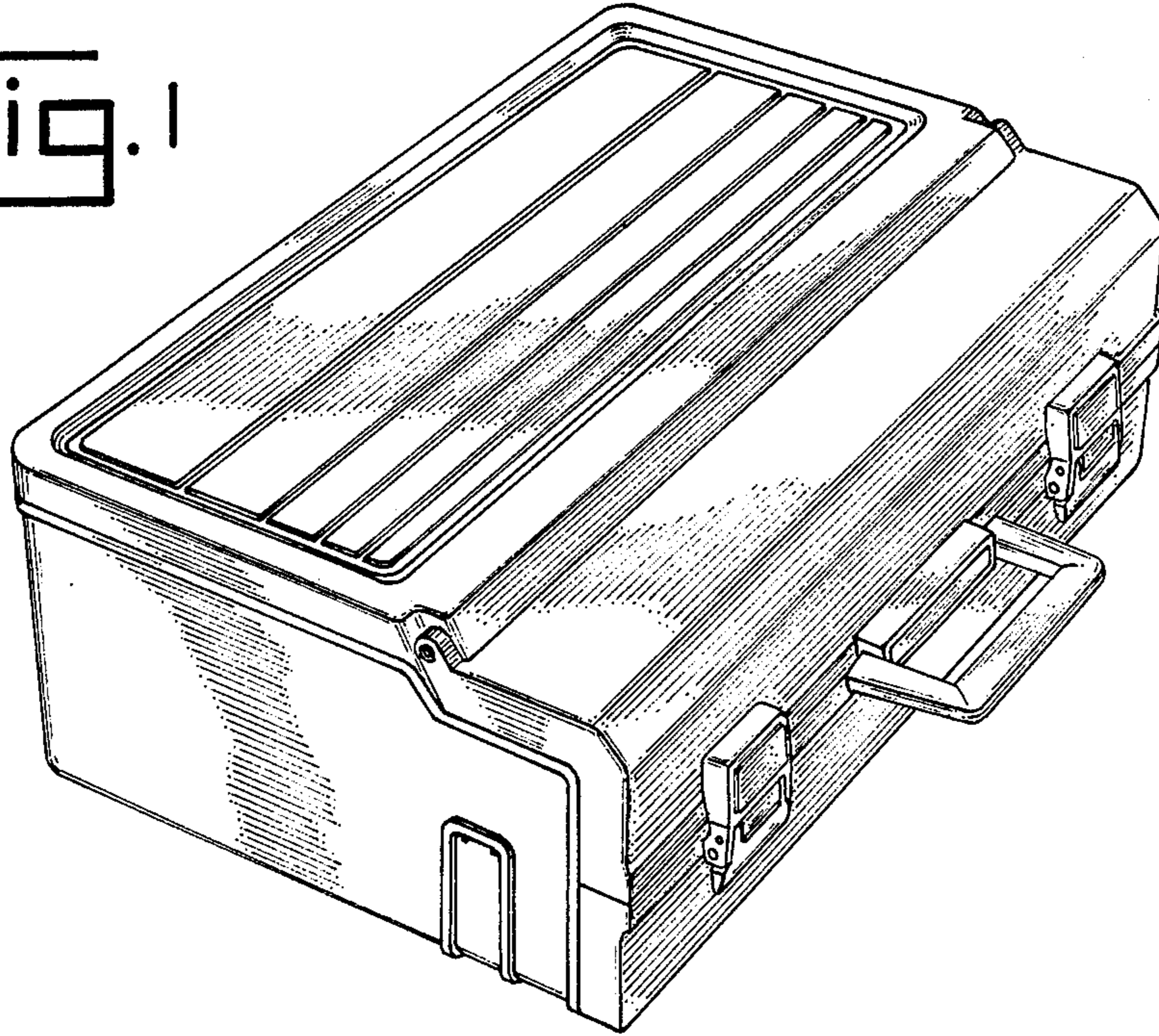
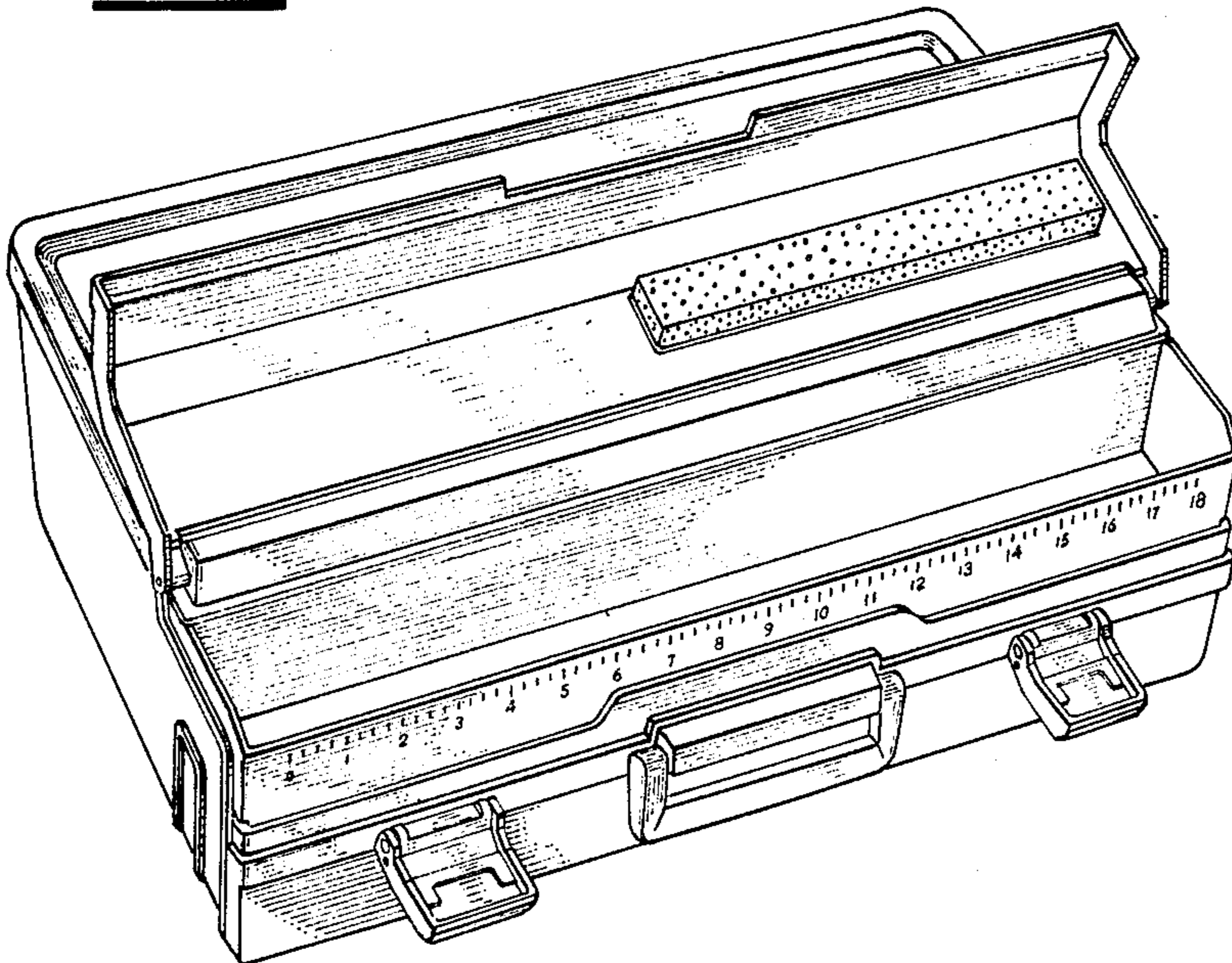


Fig. 2



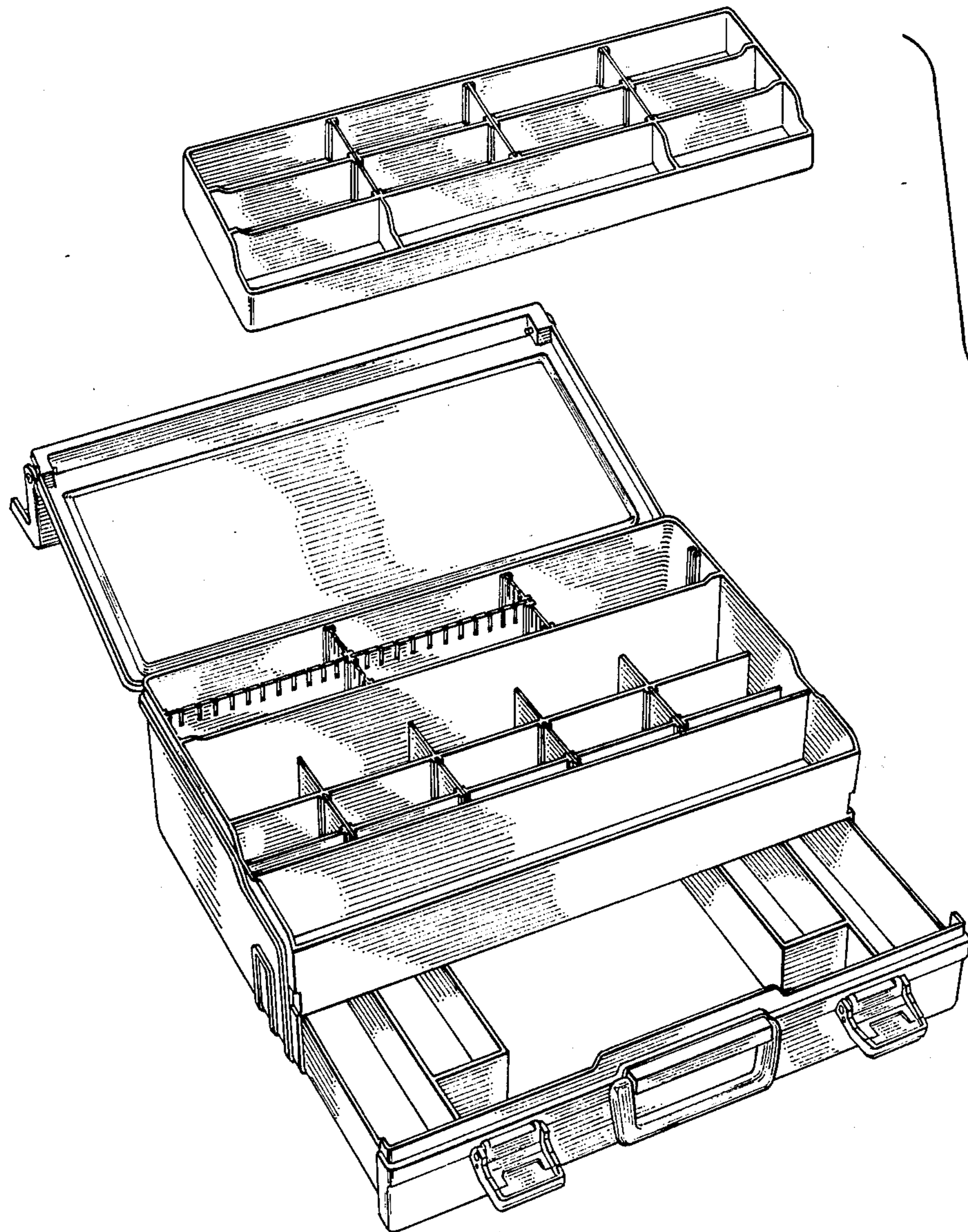


Fig. 3

Fig. 4

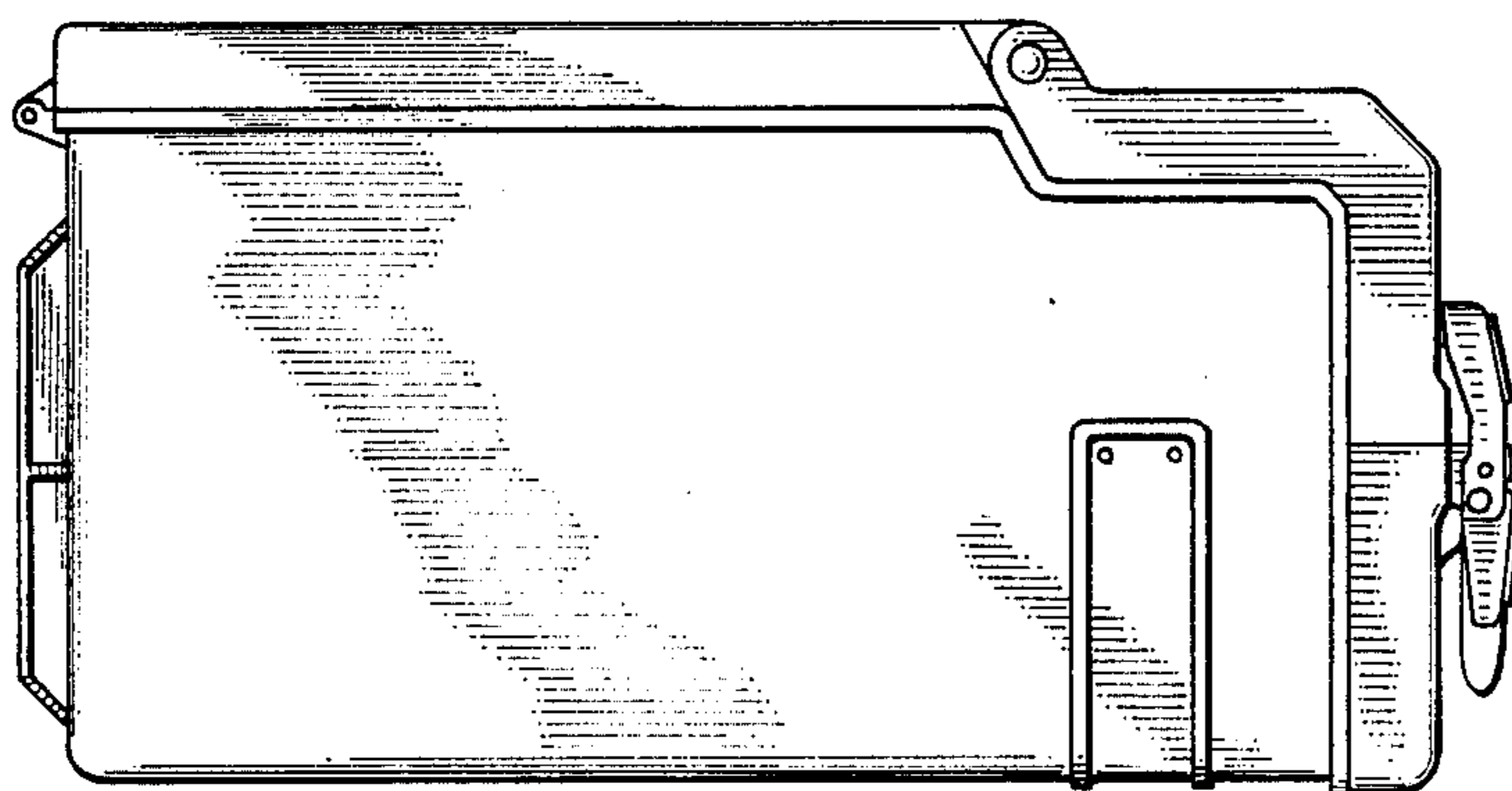


Fig. 5

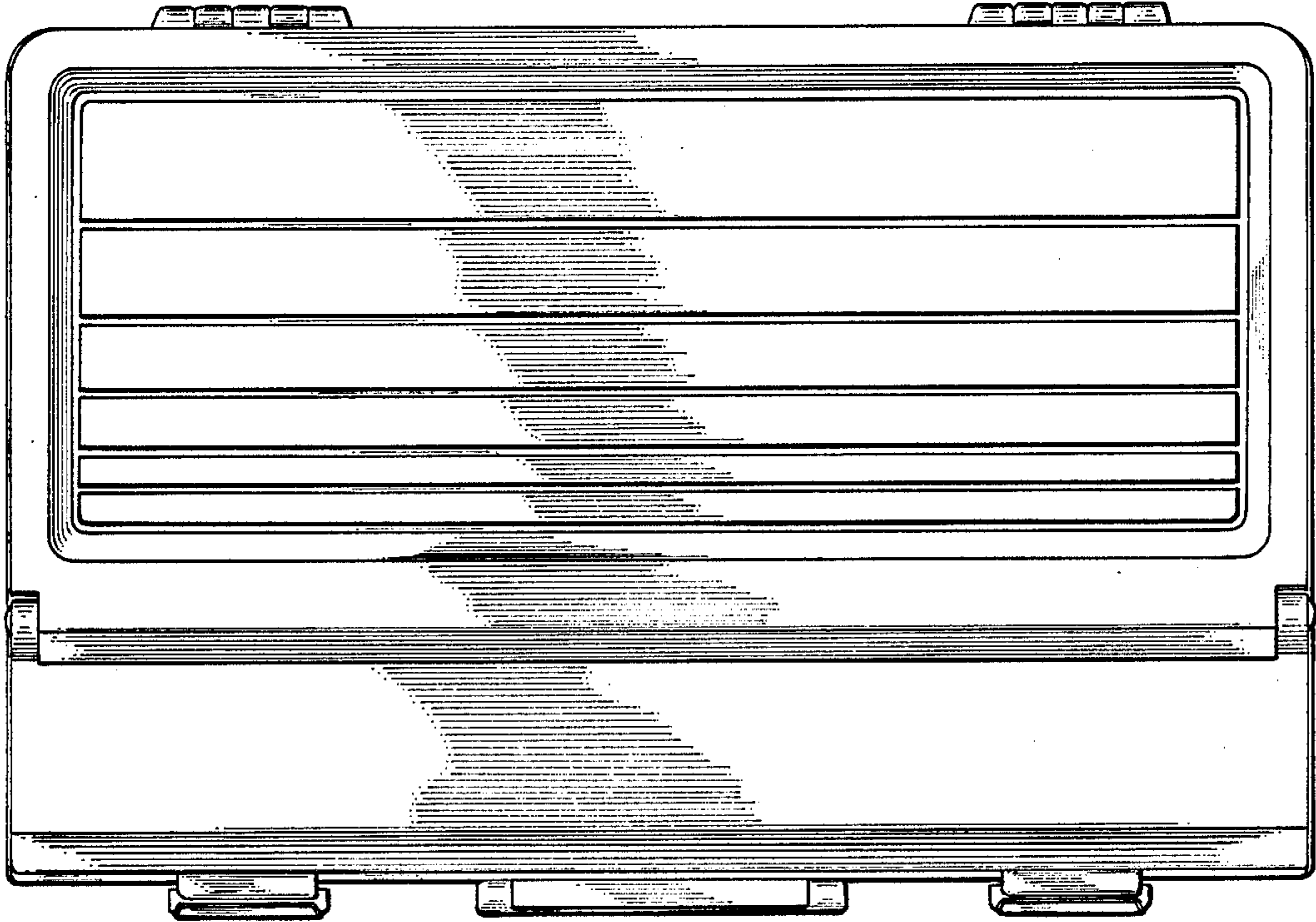


Fig. 6

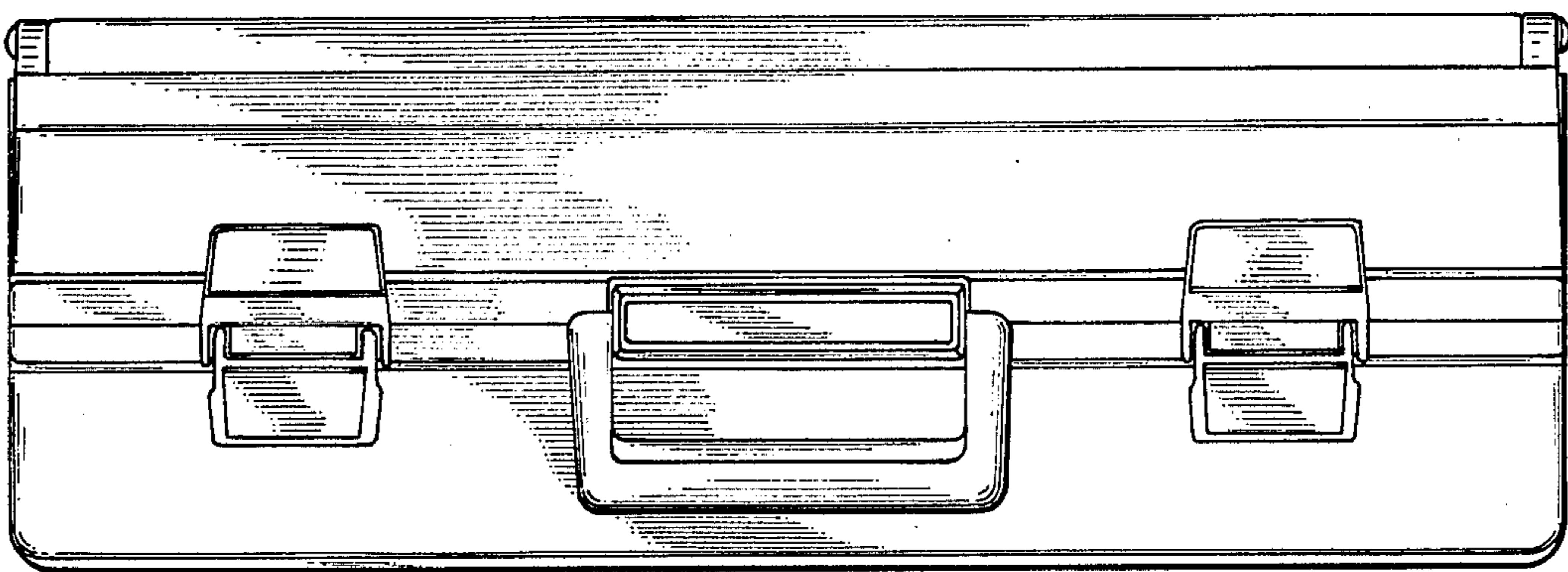


Fig. 7

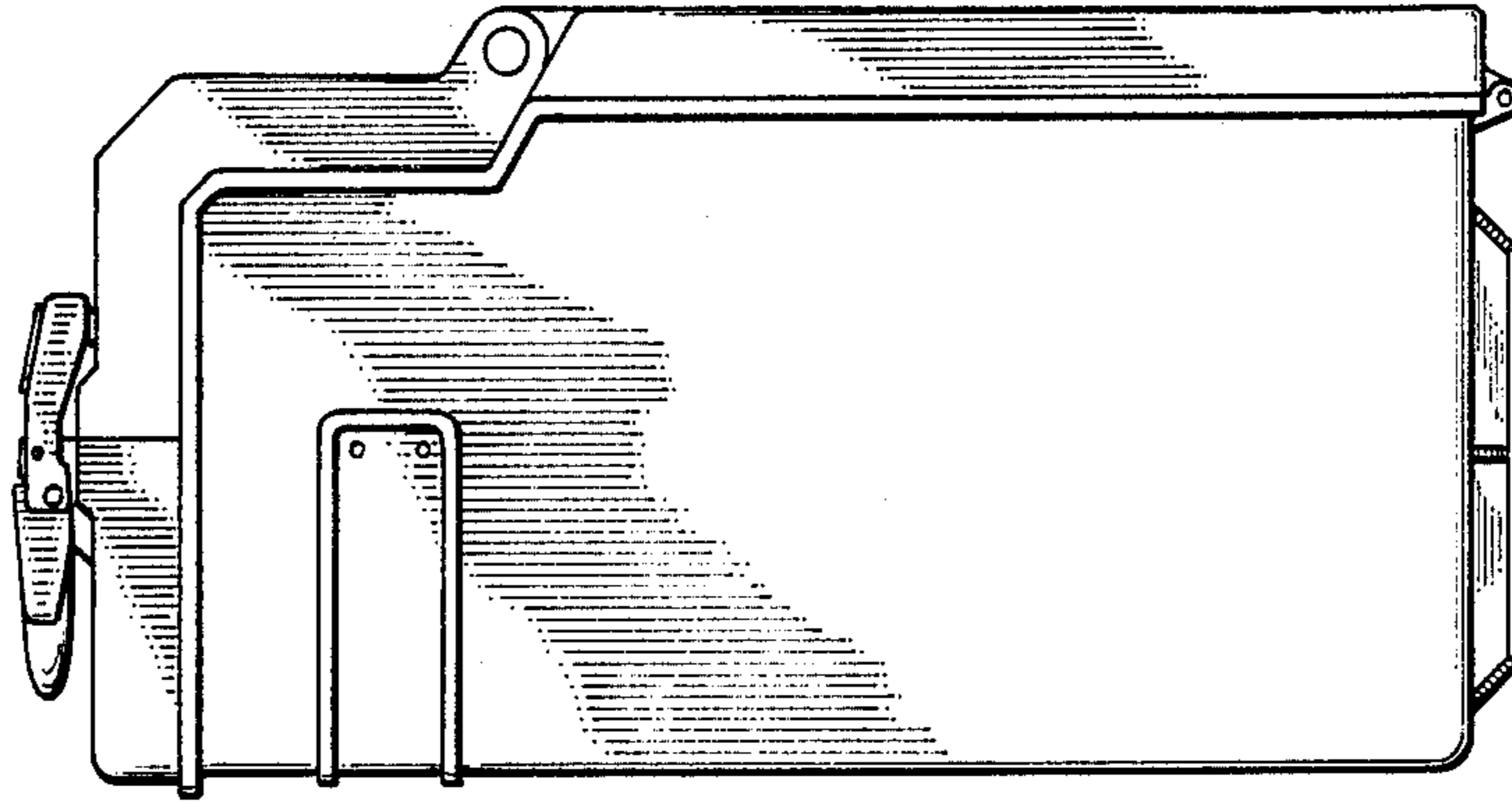


Fig. 8

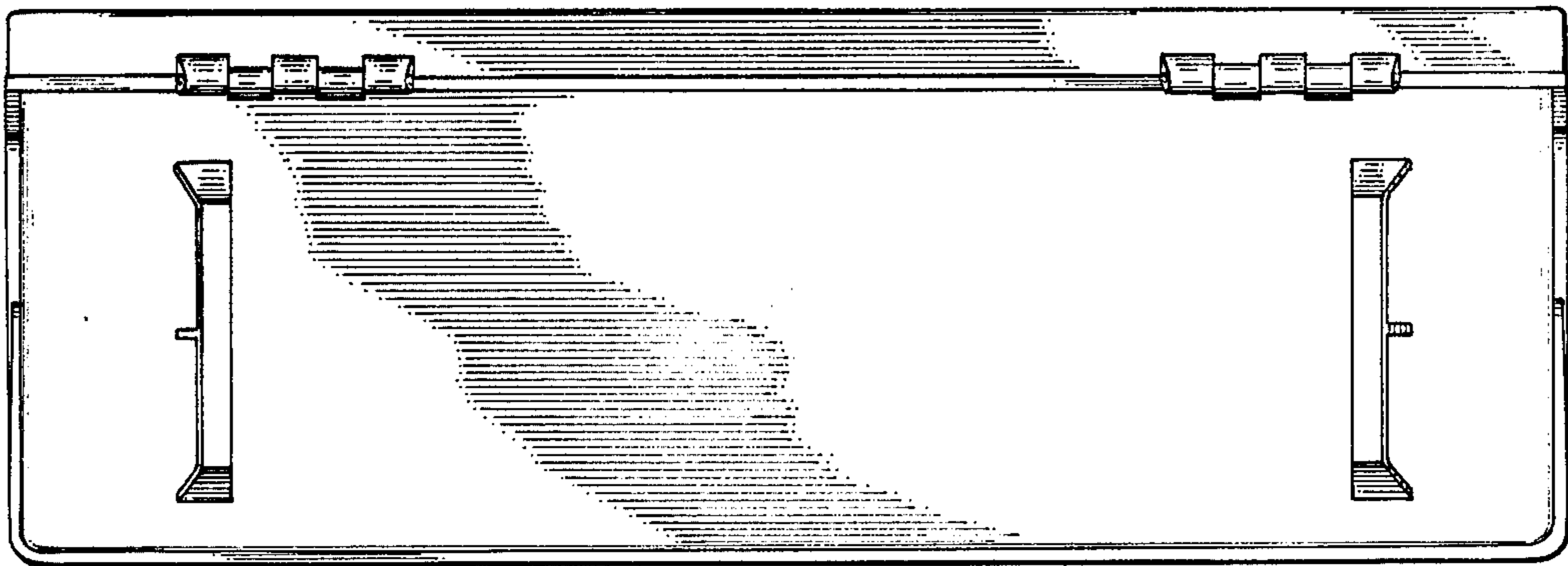


Fig. 9

