

[54] **HANGING, FOLDABLE CUTTING BOARD FOR SEWING**  
 [76] **Inventor: Paddie C. Walsh, 448 Helios, Metairie, La. 70005**  
 [\*\*] **Term: 14 Years**  
 [21] **Appl. No.: 931,165**  
 [22] **Filed: Nov. 17, 1986**  
 [52] **U.S. Cl. .... D3/18**  
 [58] **Field of Search ..... D3/18, 20, 26, 39, 30.1; D6/396, 397, 406, 410, 422, 425, 429, 430, 431, 432, 433, 448, 509, 555, 559, 561; 144/285; D19/52**

D. 225,116 11/1972 Krajeski ..... D6/397  
 D. 273,537 4/1984 Gerch ..... D19/52  
 D. 289,946 5/1987 Moore ..... D3/30.1  
 D. 293,284 12/1987 Wright et al. .... D6/429  
 131,151 9/1872 Cochran .  
 489,593 1/1893 Ramer .  
 559,709 5/1886 Hoff .  
 1,225,958 5/1917 Hopwood .  
 2,582,575 1/1952 Young .  
 3,207,297 9/1965 Zimmerman ..... D3/30.1

*Primary Examiner*—James R. Largen  
*Assistant Examiner*—Antoine D. Davis  
*Attorney, Agent, or Firm*—Terry M. Gernstein

[56] **References Cited**  
**U.S. PATENT DOCUMENTS**

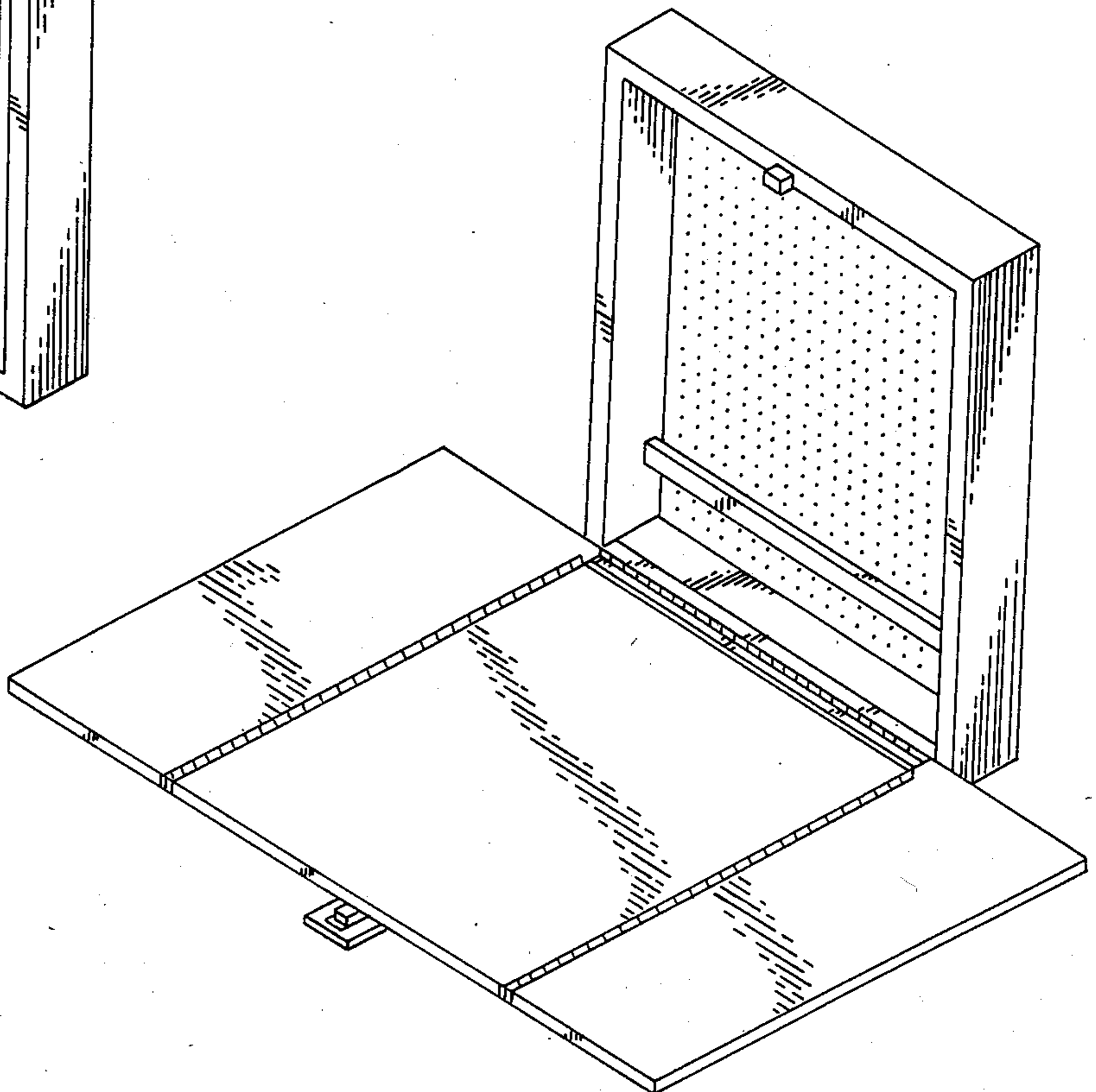
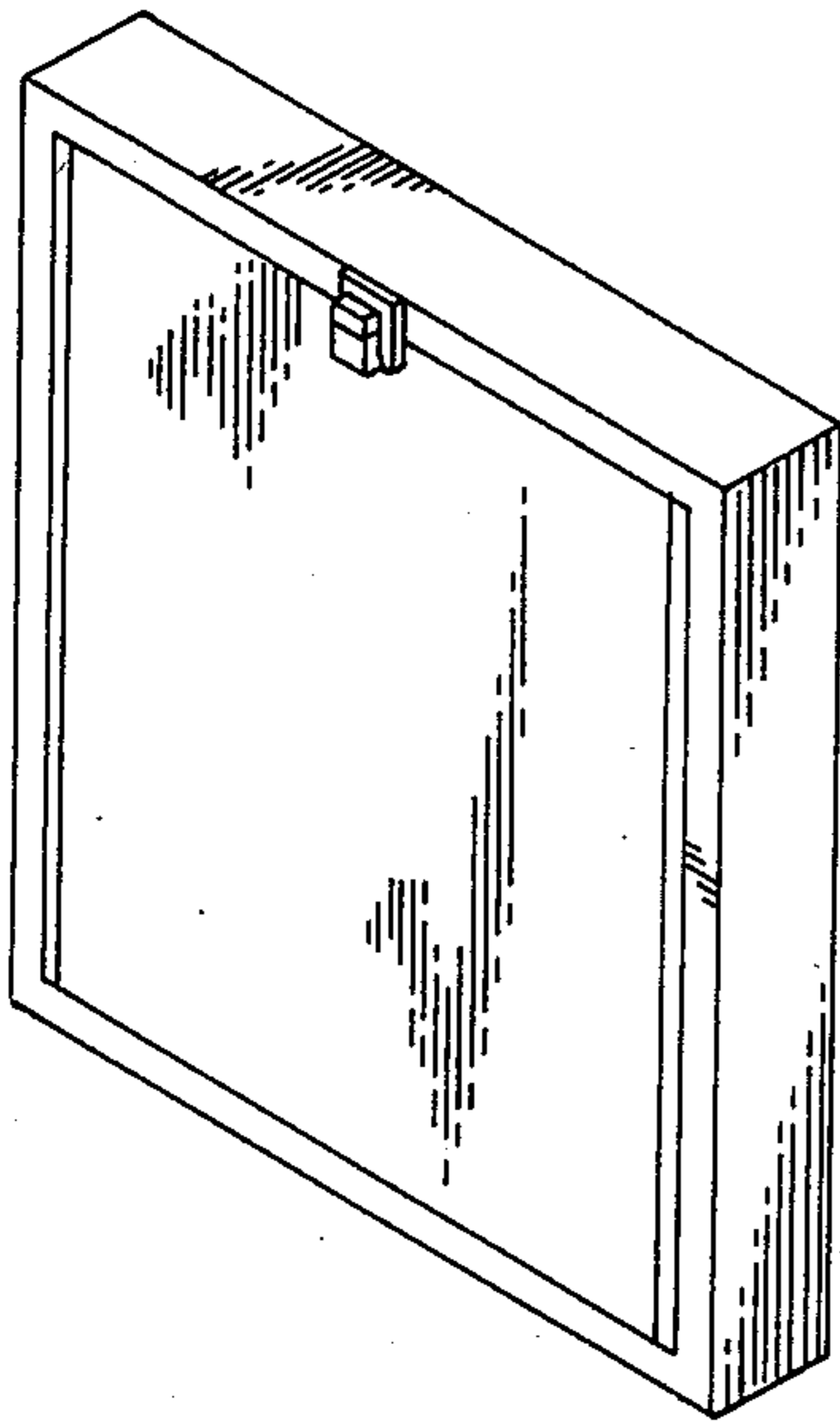
D. 90,769 9/1933 Kamen ..... D19/52  
 D. 93,333 9/1934 Doree-Spearman ..... D3/39  
 D. 123,240 1/1940 Litner ..... D3/39  
 D. 152,630 2/1949 Marinack .  
 D. 174,785 5/1955 Thompkins ..... D6/555  
 D. 179,871 3/1957 Wrablica ..... D6/555  
 D. 182,390 3/1958 Snider ..... D3/39  
 D. 218,590 9/1970 Petitto .

[57] **CLAIM**

The ornamental design for a hanging, foldable cutting board for sewing, as shown and described.

**DESCRIPTION**

FIG. 1 is a perspective view of a hanging, folding cutting board for sewing showing my new design; FIG. 2 is a left side elevational view thereof; the right side being a mirror image of the left side; FIG. 3 is a perspective view thereof; showing the cutting board in an open position; and FIG. 4 is a bottom plan view thereof.



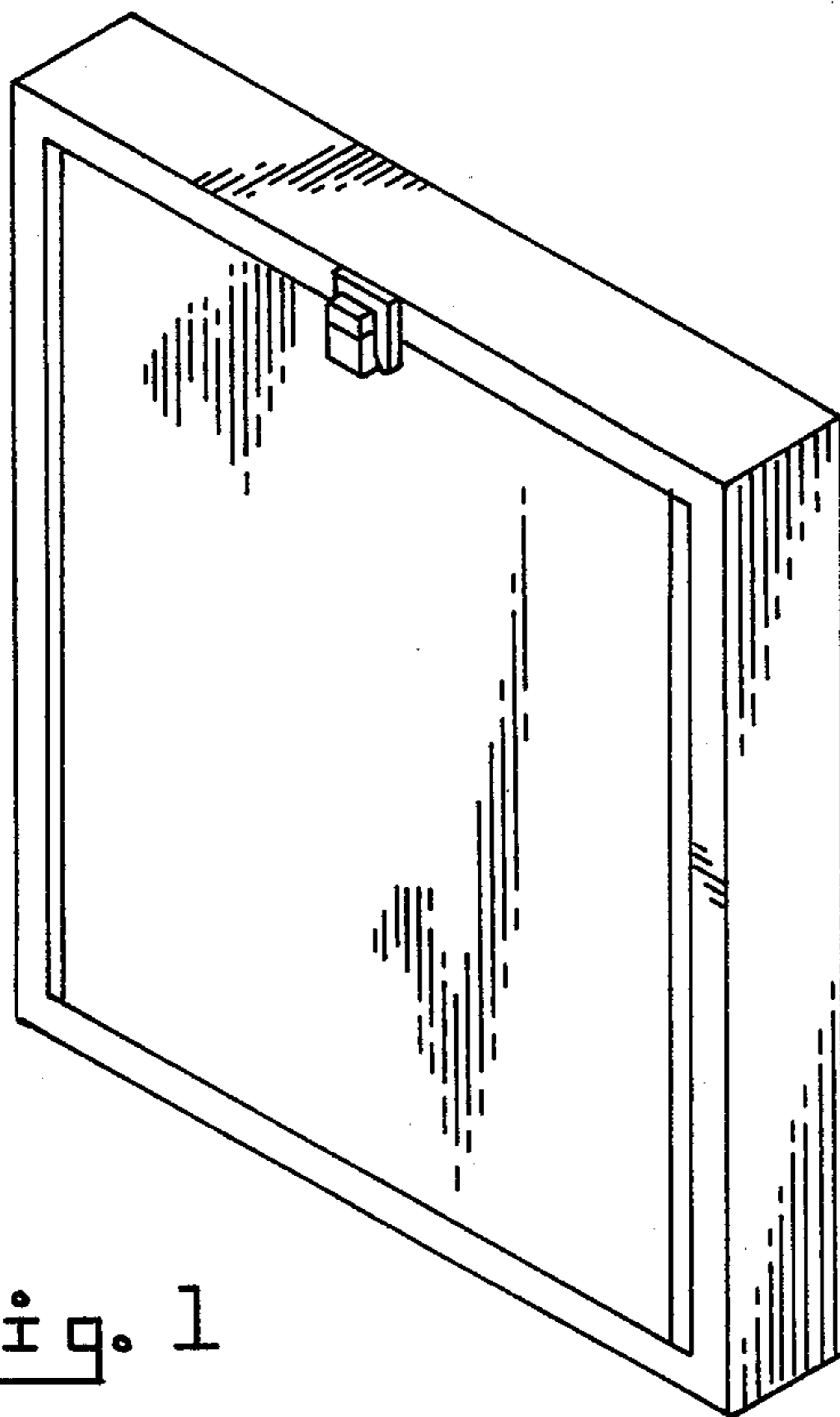


Fig. 1



Fig. 2

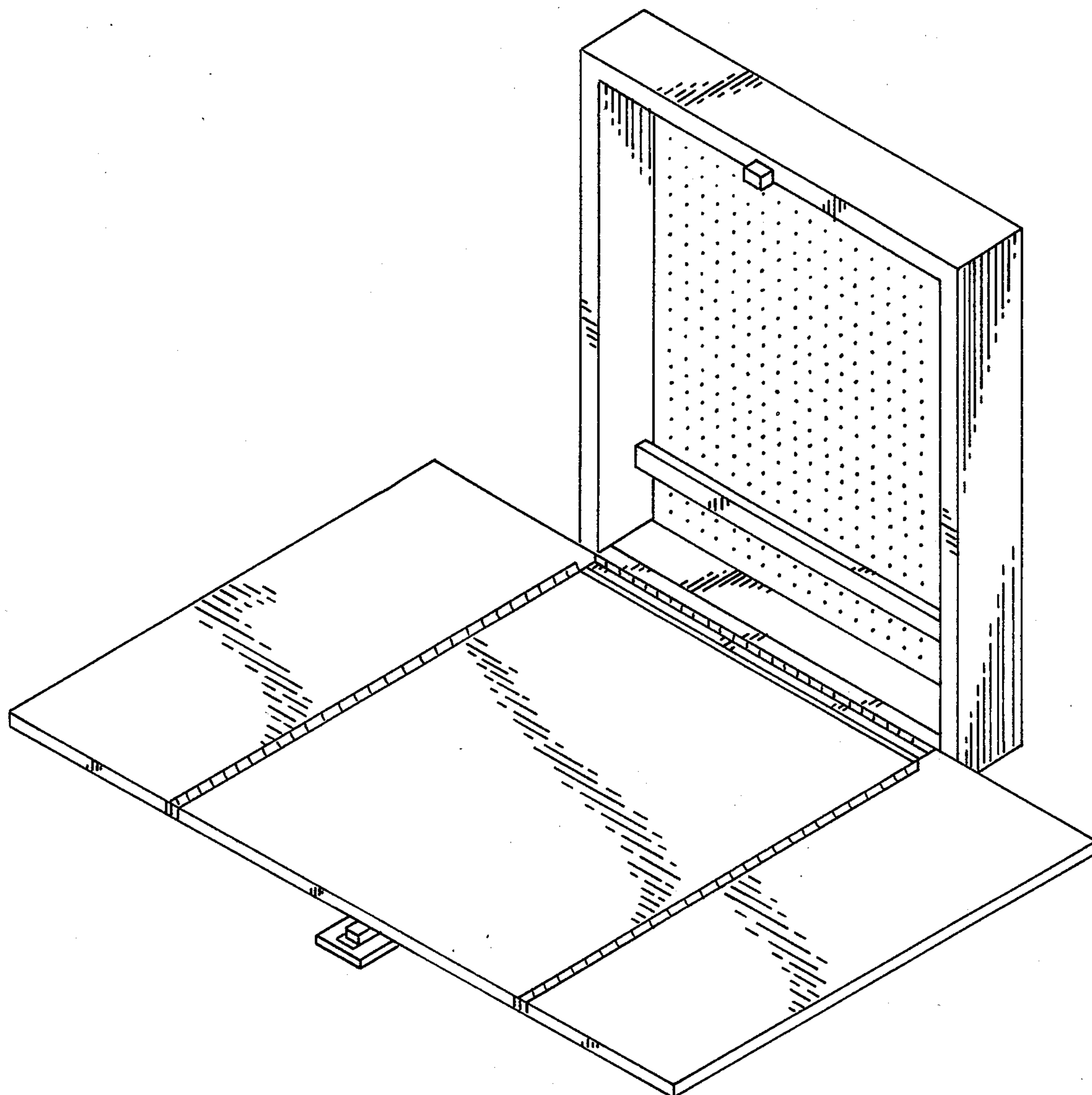


Fig. 3