

[54] **SHOWER RING**

[76] **Inventor: Rosalie H. Levine, One Smith Rd., Greenwich, Conn. 06830**

[**] **Term: 14 Years**

[21] **Appl. No.: 940,257**

[22] **Filed: Dec. 11, 1986**

[52] **U.S. Cl. D2/510**

[58] **Field of Search D2/509-512, D2/515, 244, 246, 249, 253, 254, 256-258; 2/68**

[56] **References Cited**

U.S. PATENT DOCUMENTS

D. 228,979	11/1973	Epstein	D2/514
D. 303,040	8/1959	Paone	D2/510
2,211,184	8/1940	Varell	2/253
2,495,041	1/1950	Weiss	D2/253
2,666,924	1/1954	Torricelli	D2/509

*Primary Examiner—A. Hugo Word
Assistant Examiner—R. McInroy
Attorney, Agent, or Firm—St. Onge Steward Johnston & Reens*

[57] **CLAIM**

The ornamental design for a shower ring, as shown and described.

DESCRIPTION

FIG. 1 is a front perspective view of a shower ring showing my new design, the woman shown in broken lines is for illustrative purposes only and forms no part of the claimed design;

FIG. 2 is a top plan view thereof;

FIG. 3 is a bottom plan view thereof; and

FIG. 4 is a side elevational view thereof.

The broken lines on the shower ring shown in FIGS. 1-3 are understood to represent conventional stitching.



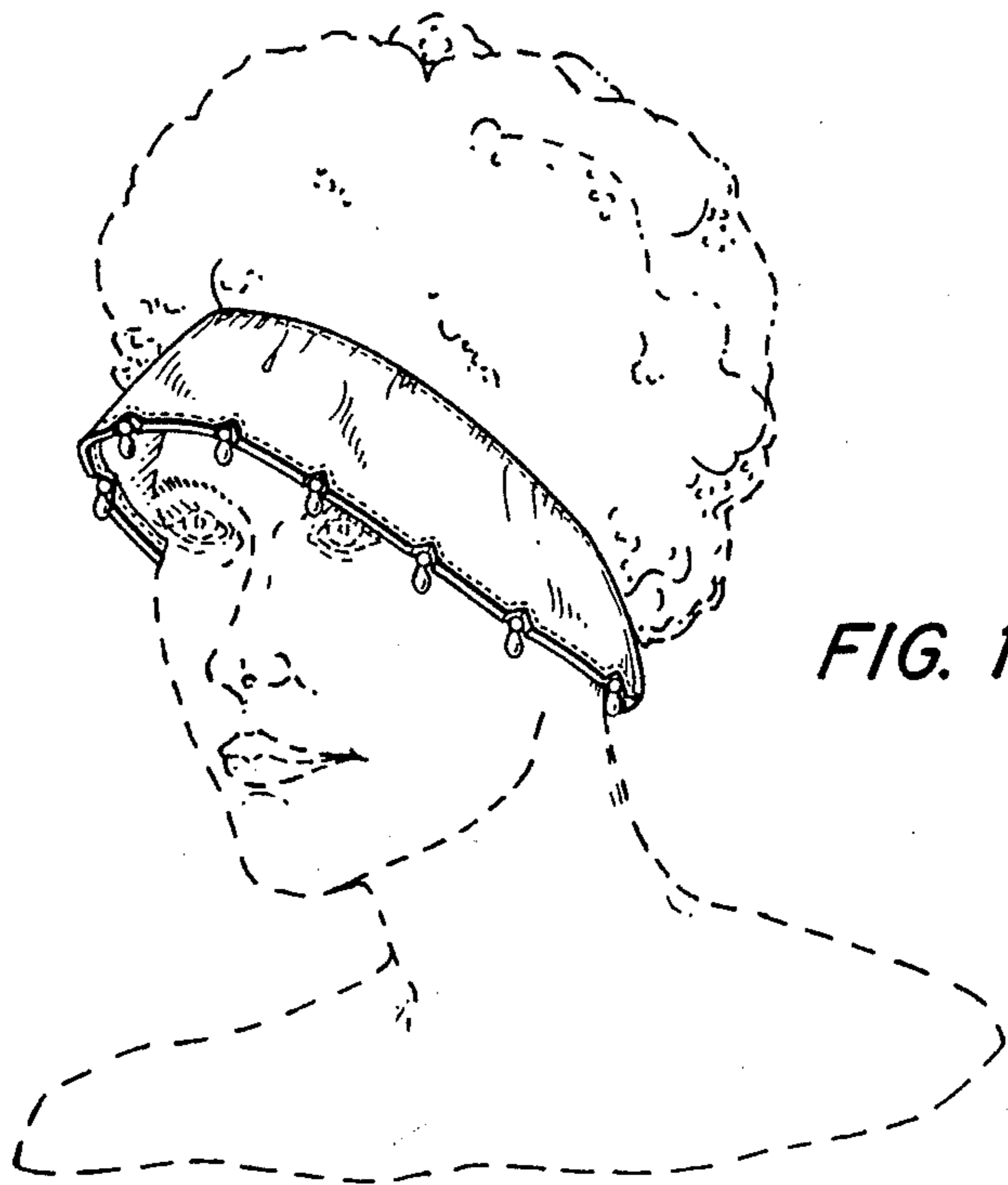


FIG. 1

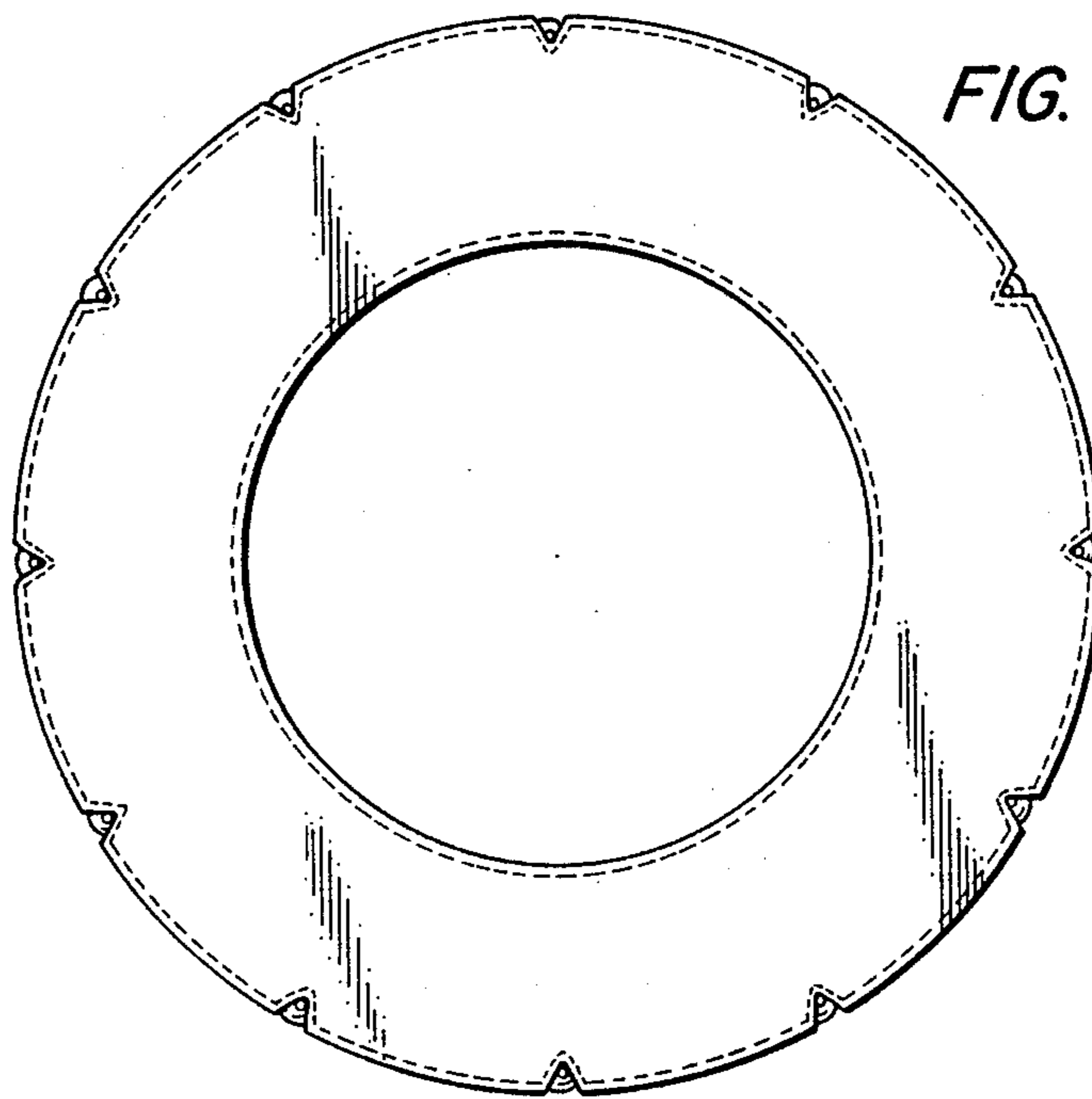


FIG. 2

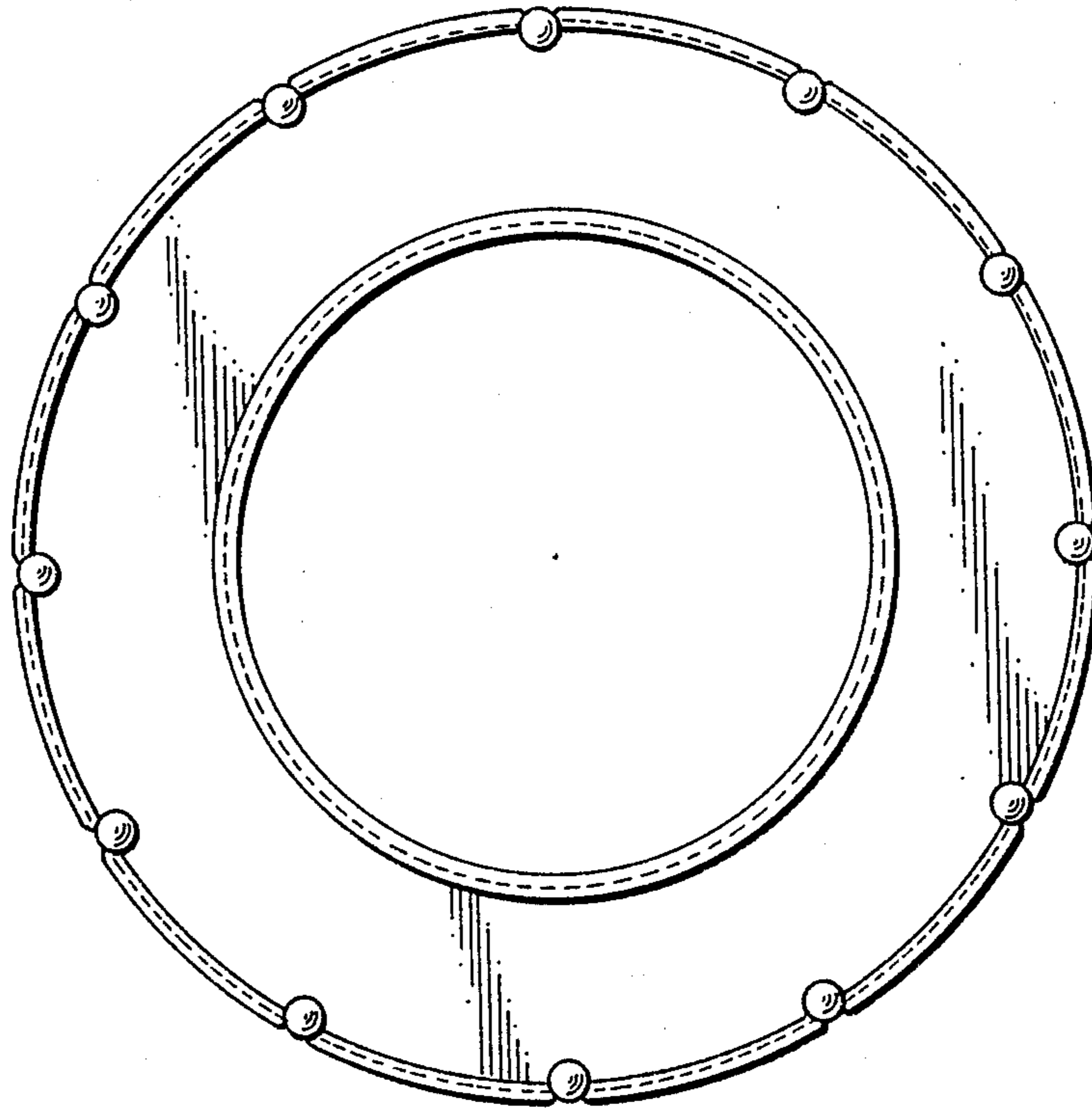


FIG. 3

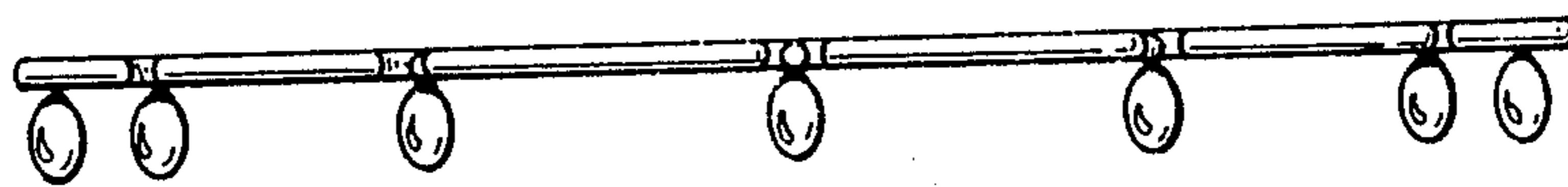


FIG. 4