

[54] FOOT STRAP

[76] Inventor: Albert Rosas, 545 E. 144 #17c, Bronx, N.Y. 10454

[**] Term: 14 Years

[21] Appl. No.: 48,000

[22] Filed: May 11, 1987

[52] U.S. Cl. D2/314; D2/277

[58] Field of Search D2/264, 265, 271, 277, D2/314; 36/58.5, 58.6, 72 R, 77 R, 132, 136

[56] References Cited

U.S. PATENT DOCUMENTS

D. 284,615	7/1986	Rock et al.	D2/277
1,344,996	6/1920	Elliot	36/58.5
1,426,668	8/1922	Pardee, Jr. et al.	36/72 R
2,419,390	4/1947	Chertok	36/72 R
4,638,574	1/1987	Roda	36/72 R

FOREIGN PATENT DOCUMENTS

18565 of 1901 United Kingdom 36/72 R

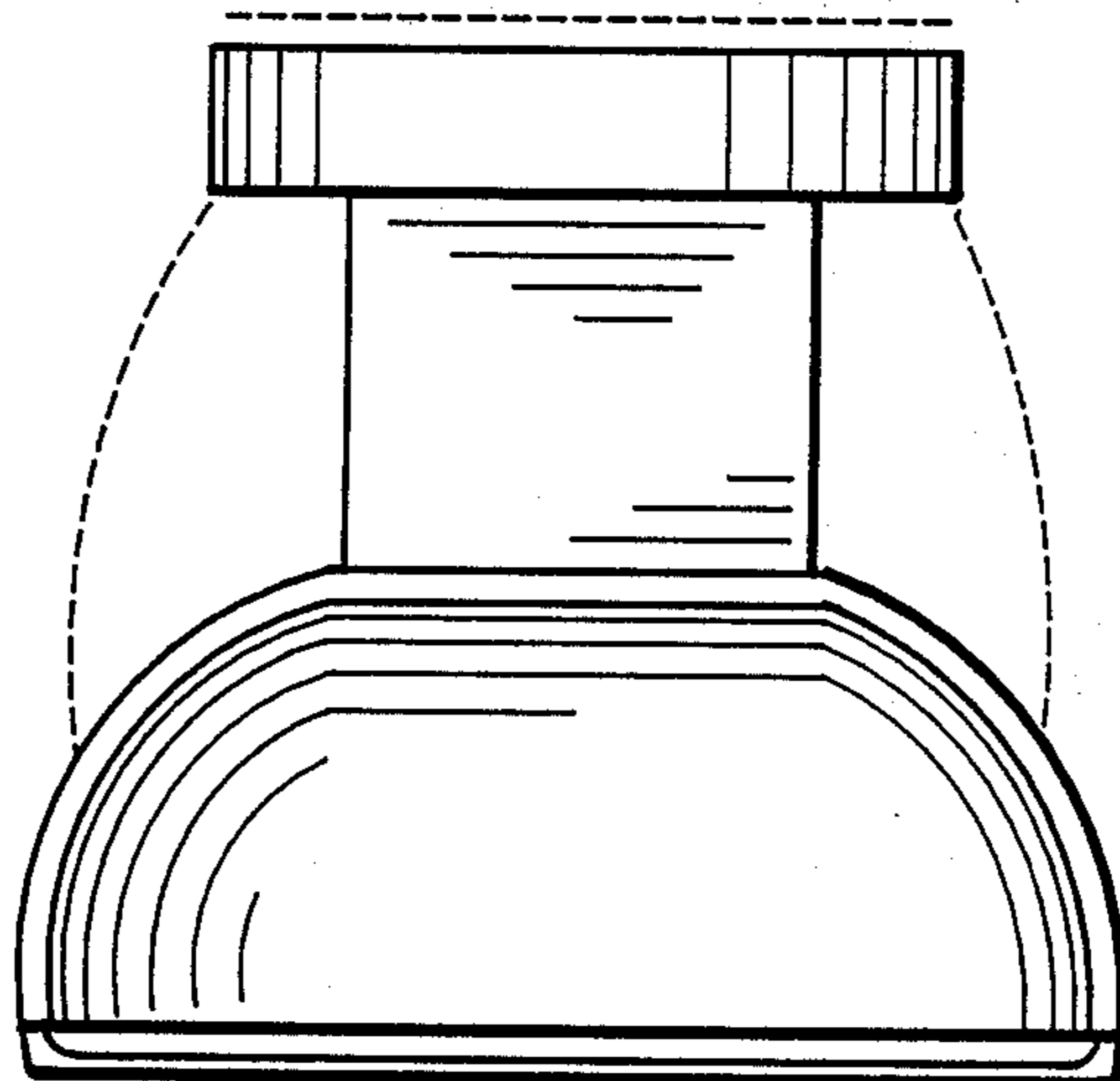
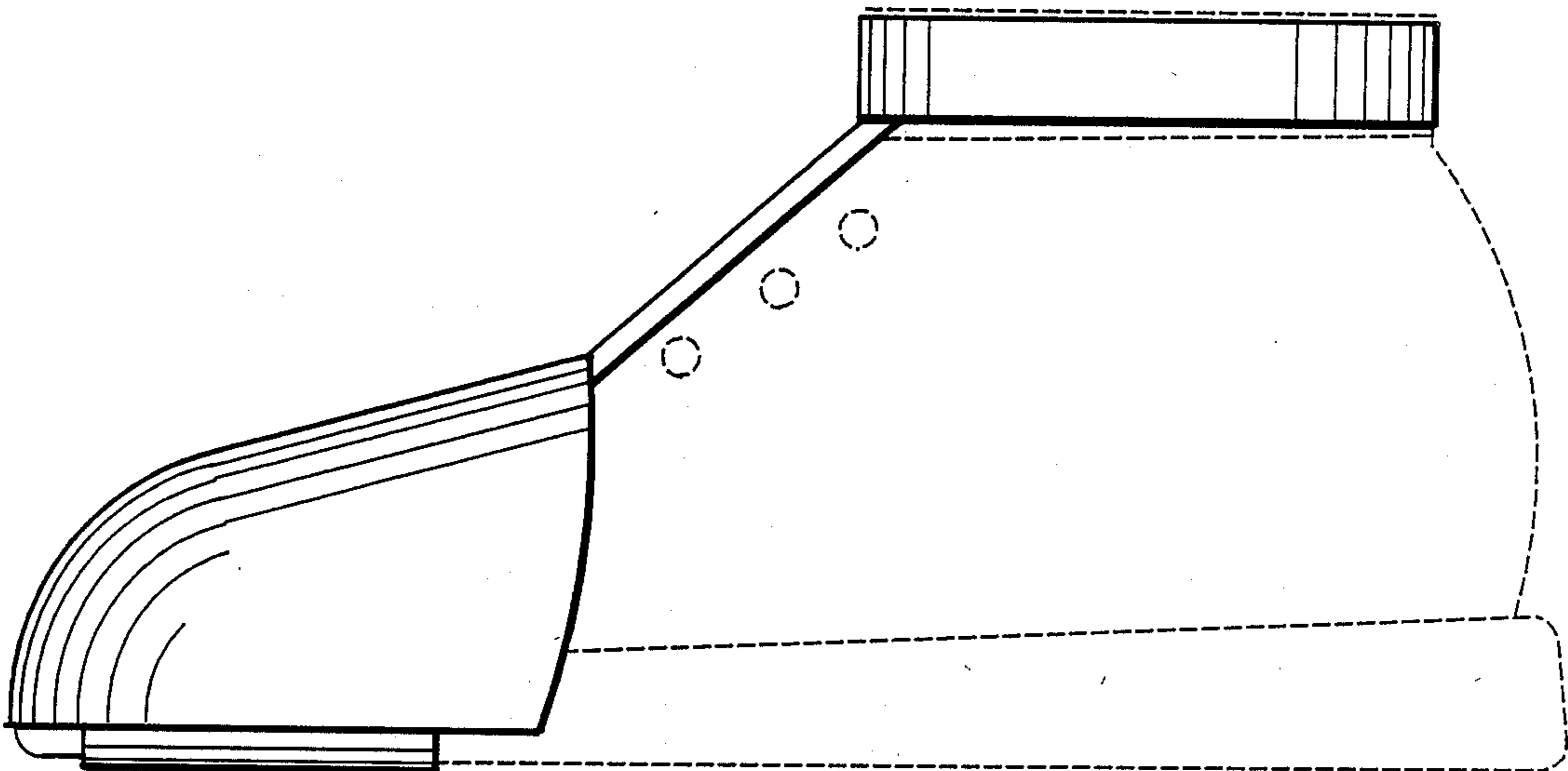
Primary Examiner—Louis S. Zarfes
Attorney, Agent, or Firm—Jerry T. Kearns

[57] CLAIM

The ornamental design for a foot strap, as shown and described.

DESCRIPTION

FIG. 1 is a left side elevational view of a foot strap showing my new design;
FIG. 2 is a right side elevational view thereof;
FIG. 3 is a front elevational view thereof;
FIG. 4 is a rear elevational view thereof;
FIG. 5 is a top plan view thereof; and,
FIG. 6 is a bottom plan view thereof.
The broken line showing of a shoe is for illustrative purposes only and forms no part of the claimed design.



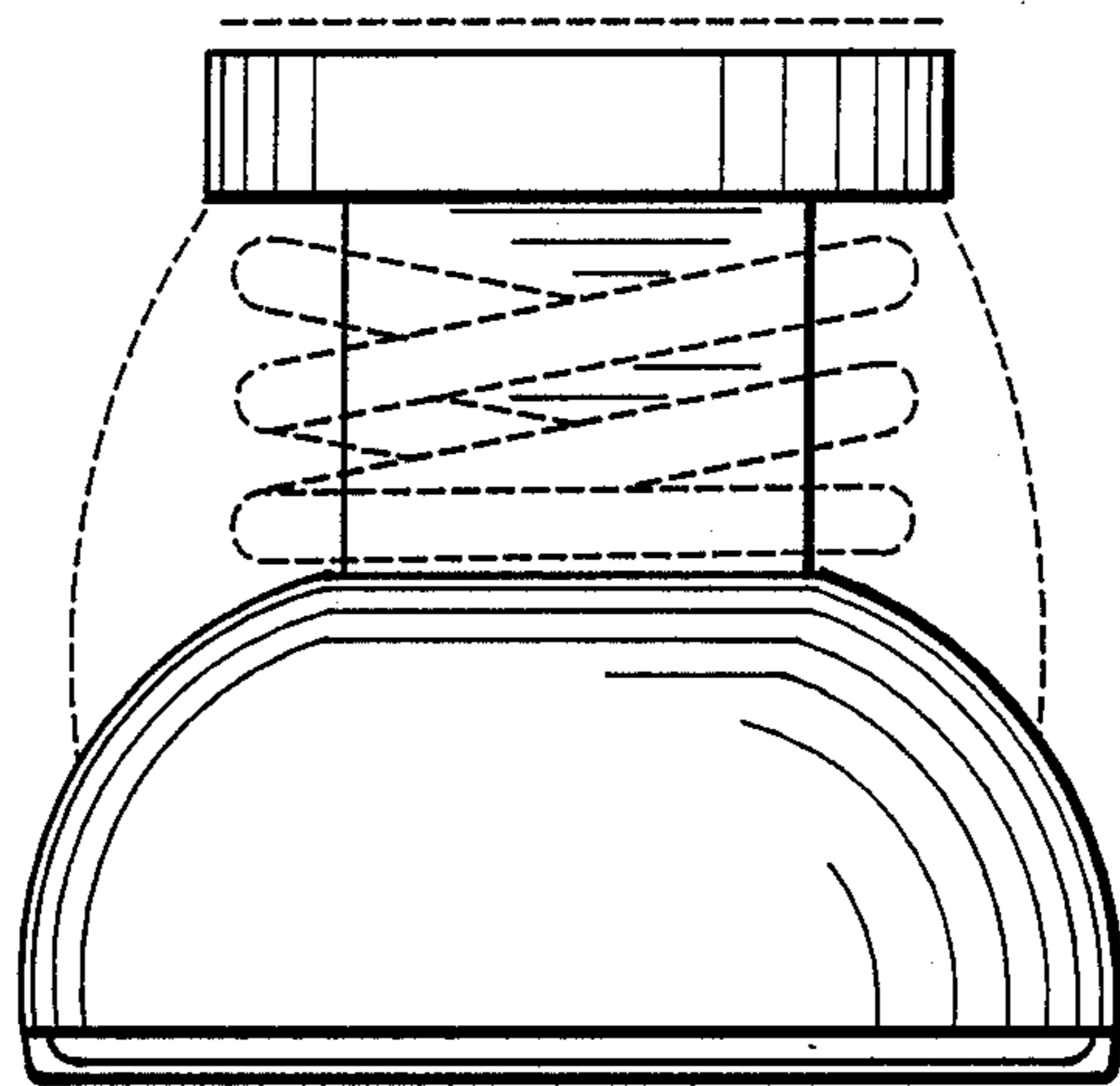


Fig. 1

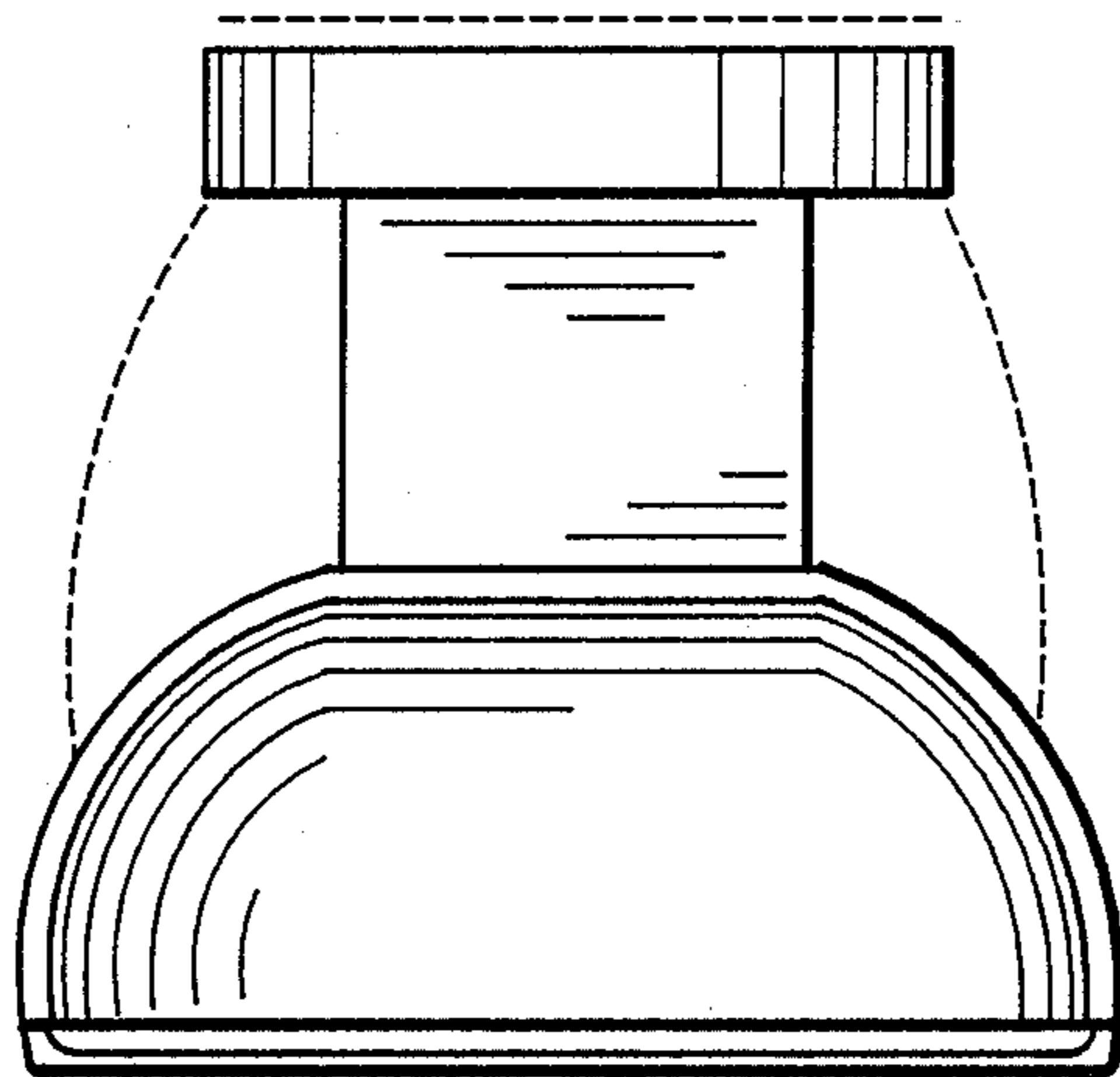


Fig. 2

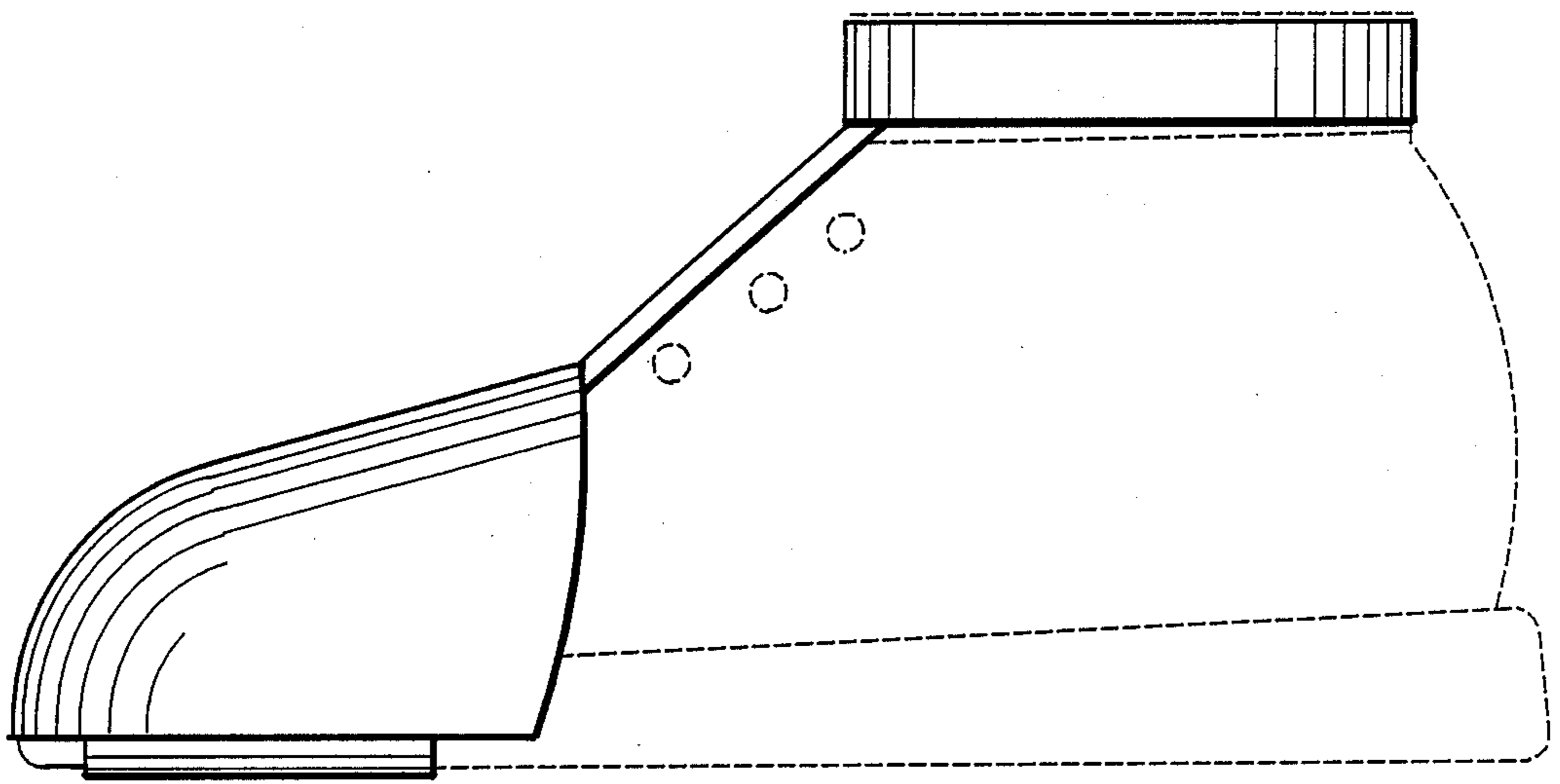


Fig. 3

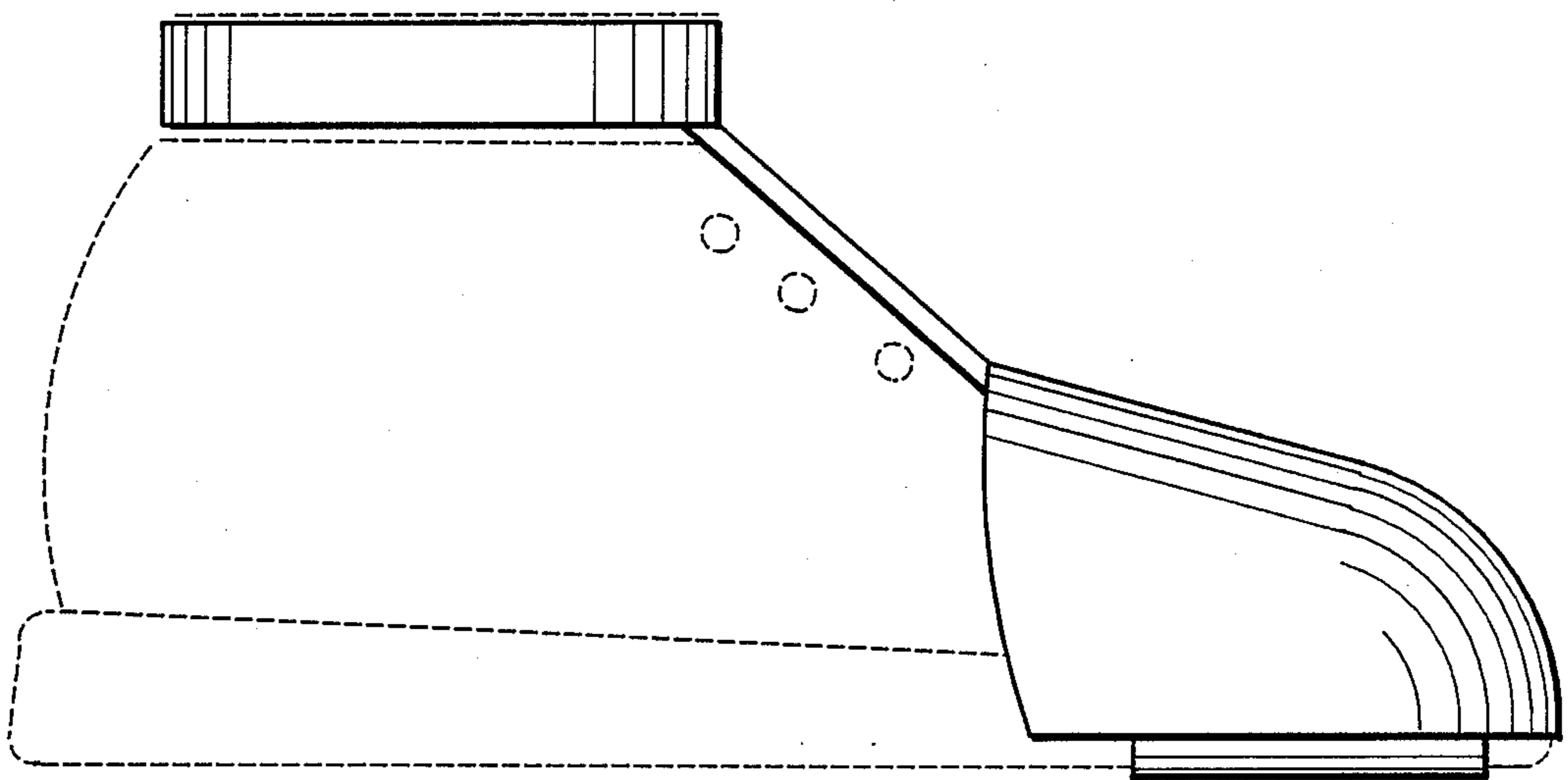


Fig. 4

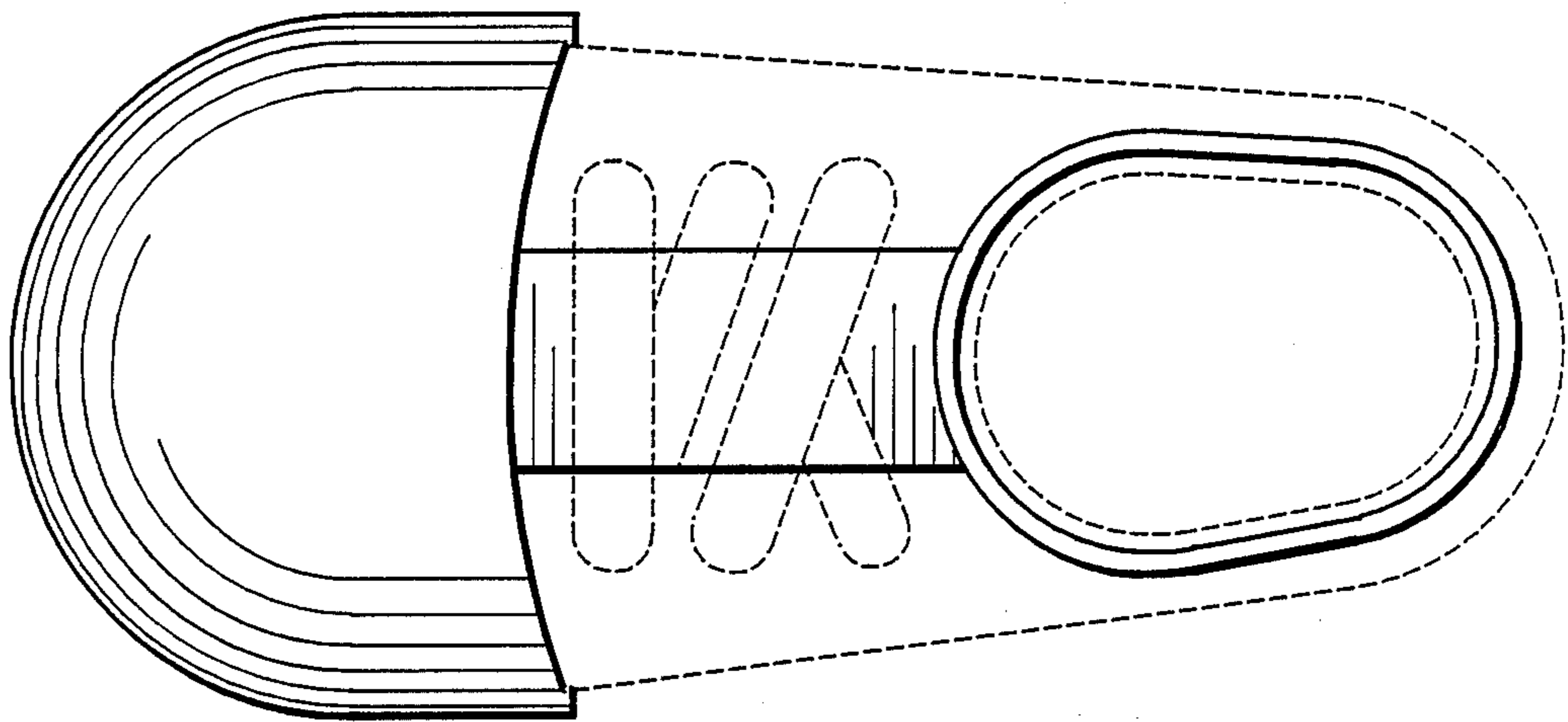


Fig. 5

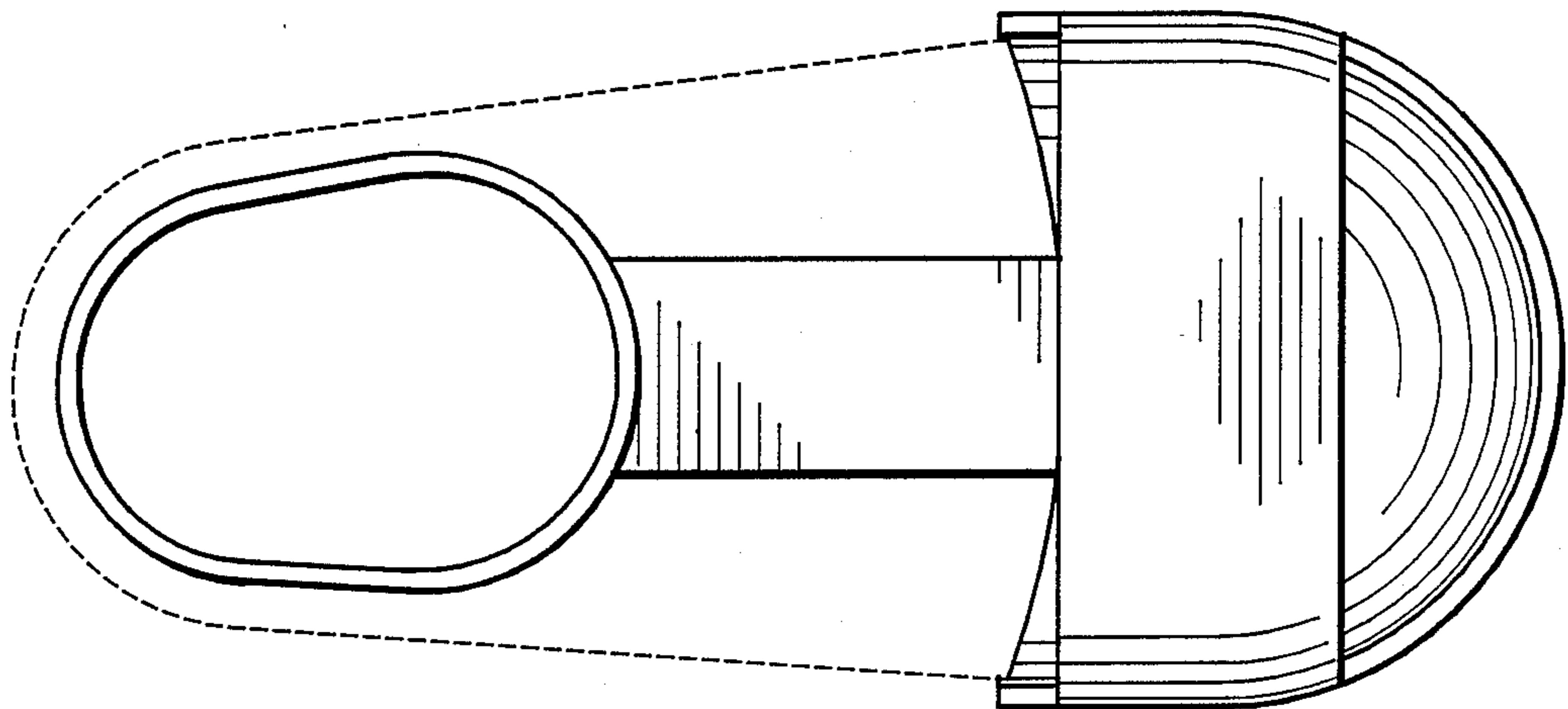


Fig. 6