

[54] CUSHIONING PIECE FOR SHOE MID-SOLE

[75] Inventor: Yoshiaki Hase, Akashi, Japan

[73] Assignee: Asics Corporation, Kobe, Japan

[**] Term: 14 Years

[21] Appl. No.: 13,623

[22] Filed: Feb. 11, 1987

[30] Foreign Application Priority Data

Aug. 12, 1986 [JP] Japan 61-31767

[52] U.S. Cl. D2/314; D2/318

[58] Field of Search D2/317-321, D2/264, 265, 277, 308-314, 323-325; 36/25 R, 28, 29, 32 R, 34 R, 35 R, 35 B, 36 R, 43, 44, 59 R, 59 C, 71, 88, 92, 102-106, 132, 136

[56] References Cited

U.S. PATENT DOCUMENTS

- D. 297,381 8/1988 Sugiyama D2/314
- D. 297,980 10/1988 Sugiyama D2/318 X
- D. 300,084 3/1989 Ito et al. D2/318

- D. 300,085 3/1989 Ito et al. D2/318
- 2,286,495 6/1942 Matteson D2/318 X
- 4,471,538 9/1984 Pomeranz et al. 36/43 X
- 4,534,121 8/1985 Autry 36/35 R

Primary Examiner—Louis S. Zarfaz
Attorney, Agent, or Firm—Oblon, Spivak, McClelland, Maier & Neustadt

[57] CLAIM

The ornamental design for a cushioning piece for shoe mid-sole, as shown and described.

DESCRIPTION

FIG. 1 is a top plan view of a cushioning piece for a shoe mid-sole showing my new design;
 FIG. 2 is a bottom plan view;
 FIG. 3 is a side elevational view;
 FIG. 4 is a sectional view taken on line IV—IV of FIG. 1; and
 FIG. 5 is a perspective view of the piece in use.
 The broken line showing of a shoe sole in FIG. 5 is for illustrative purposes only and forms no part of the claimed design.

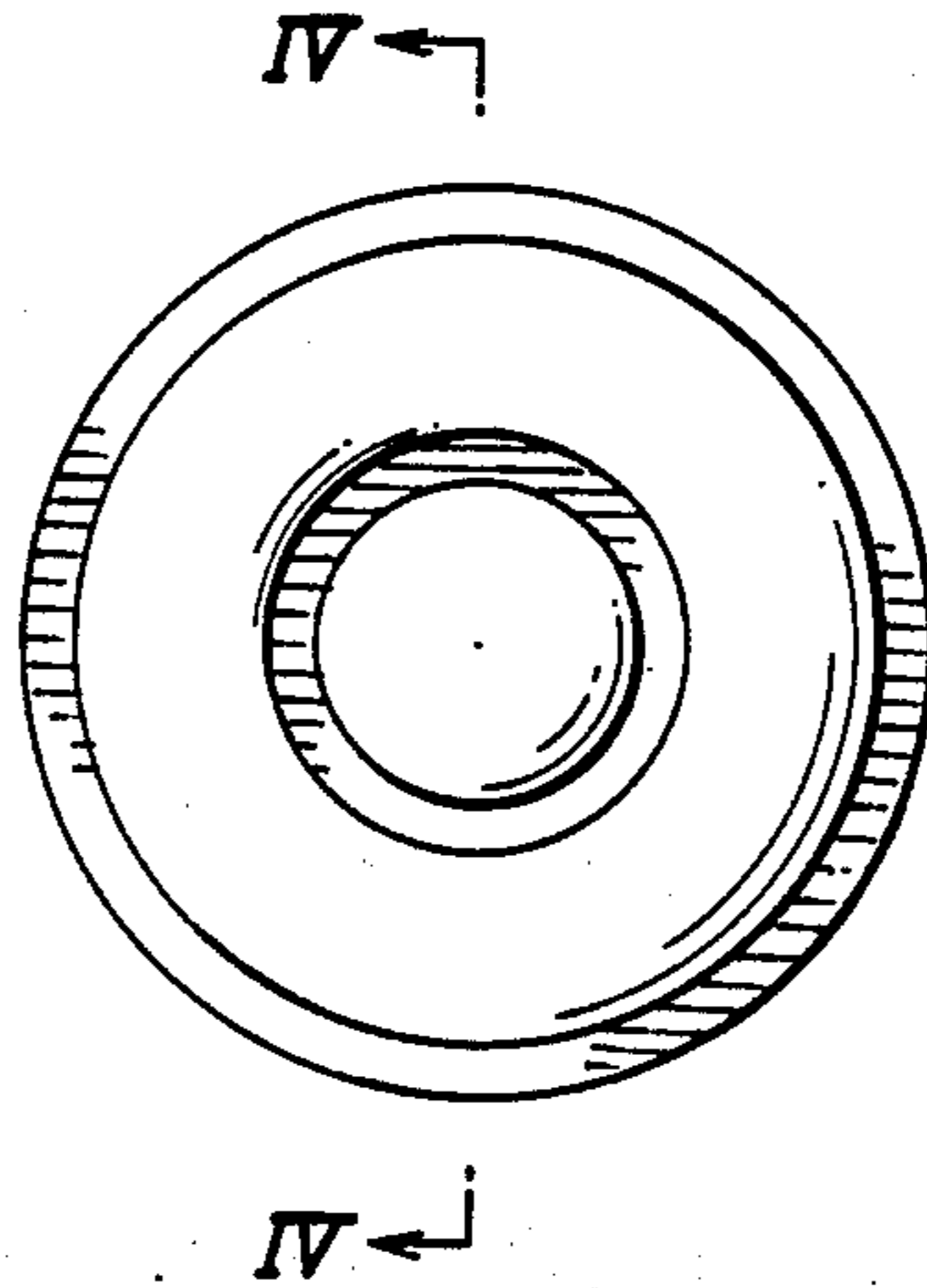
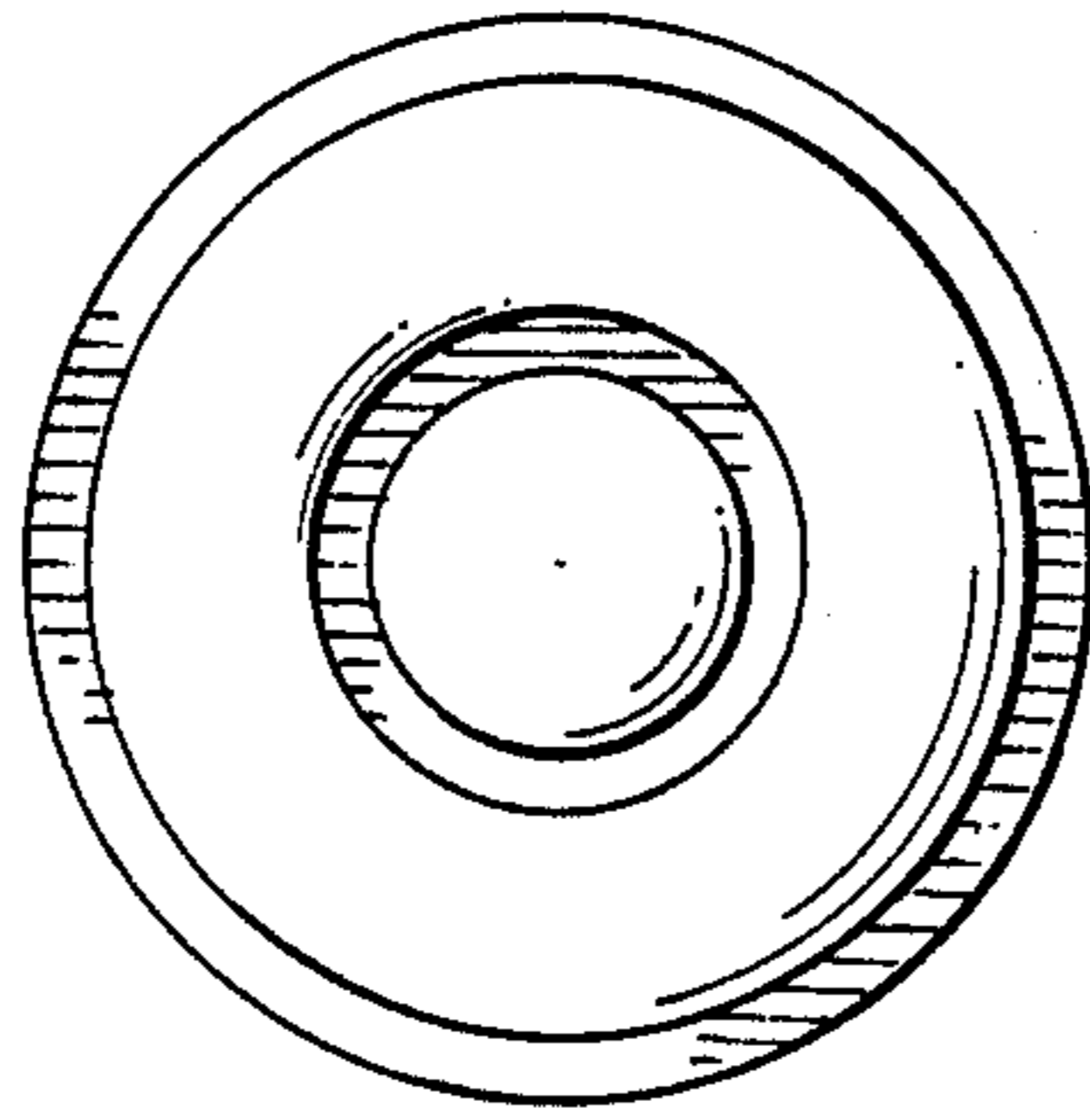


Fig. 1

IV ←



IV ←

Fig. 2

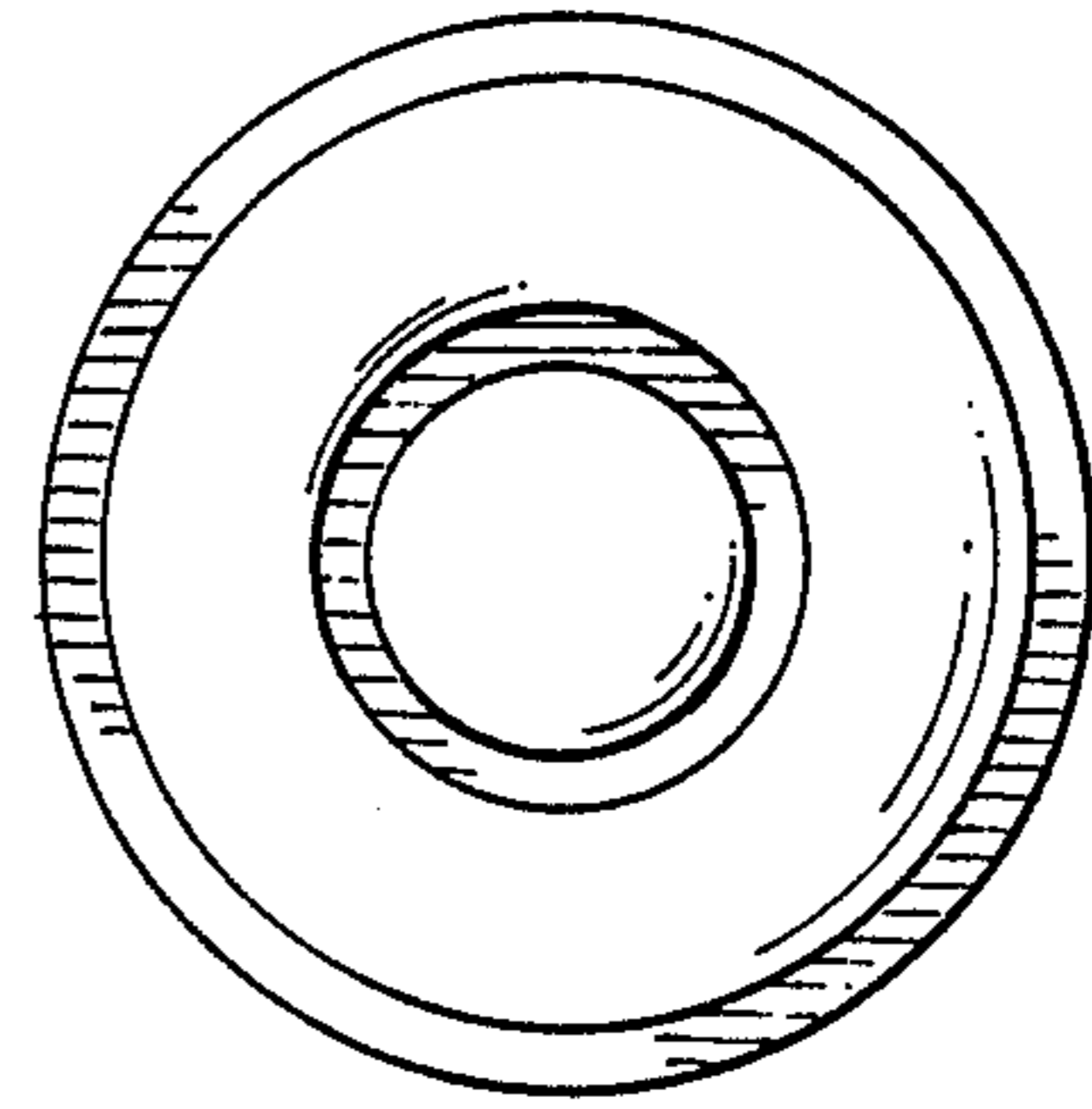


Fig. 3

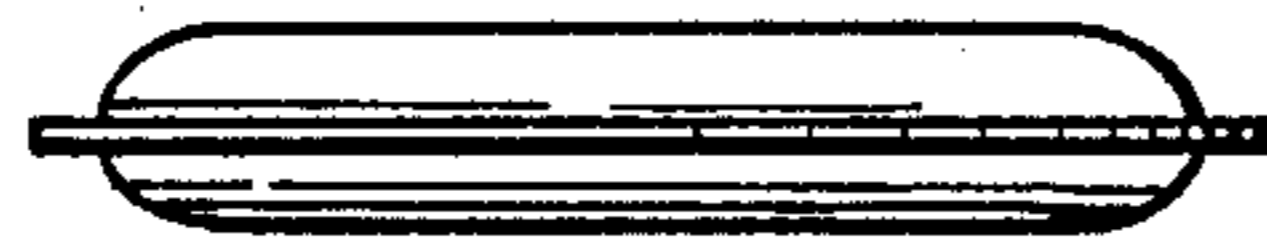


Fig. 4



Fig. 5

