

[54] FOLDABLE PLAY DESK

[75] Inventor: Chuk-Sun T. Ng, Hong Kong, Hong Kong

[73] Assignee: Blue Box Toy Factory Limited, Hong Kong, Hong Kong

[**] Term: 14 Years

[21] Appl. No.: 862,937

[22] Filed: May 14, 1986

[30] Foreign Application Priority Data

Feb. 26, 1986 [GB] United Kingdom 1032511

[52] U.S. Cl. D21/121

[58] Field of Search D6/396, 397, 422, 423, D6/424, 425, 426, 427, 428, 429, 432, 445, 447, 449, 450, 451, 452; D19/35, 36, 52; D21/59, 121, 148, 149, 166, 167, 190, 123; 273/239; 434/393, 407, 408, 432, 433; 446/75, 76, 129, 487

[56] References Cited

U.S. PATENT DOCUMENTS

D. 122,398 9/1940 Herlihy D21/190
D. 141,918 7/1945 Olkon D21/59
D. 232,231 7/1974 Butler D19/52
D. 269,196 5/1983 Appel et al. D21/59
D. 282,218 1/1986 Catelli D21/59
2,991,829 7/1961 Post D6/429

OTHER PUBLICATIONS

Sears Christmas Catalog 1976, p. 567, Item No. 3, Vanity Table.

Primary Examiner—Charles A. Rademaker
Assistant Examiner—Alicia A. Farrell
Attorney, Agent, or Firm—Pollock, Vande Sande & Priddy

[57] CLAIM

The ornamental design for a foldable play desk, as shown and described.

DESCRIPTION

FIG. 1 is a front perspective view, having a larger scale than the figures which follows, of a foldable play desk showing my new design;
FIG. 2 is a rear elevational view thereof;
FIG. 3 is a side elevational view thereof;
FIG. 4 is the opposite side elevational view thereof;
FIG. 5 is a top plan view thereof;
FIG. 6 is a bottom plan view thereof;
FIG. 7 is a front elevational view of a foldable play desk in the folded up position;
FIG. 8 is a rear elevational view thereof;
FIG. 9 is a side elevational view thereof;
FIG. 10 is the opposite side elevational view thereof;
FIG. 11 is a top plan view thereof; and,
FIG. 12 is a bottom plan view thereof.

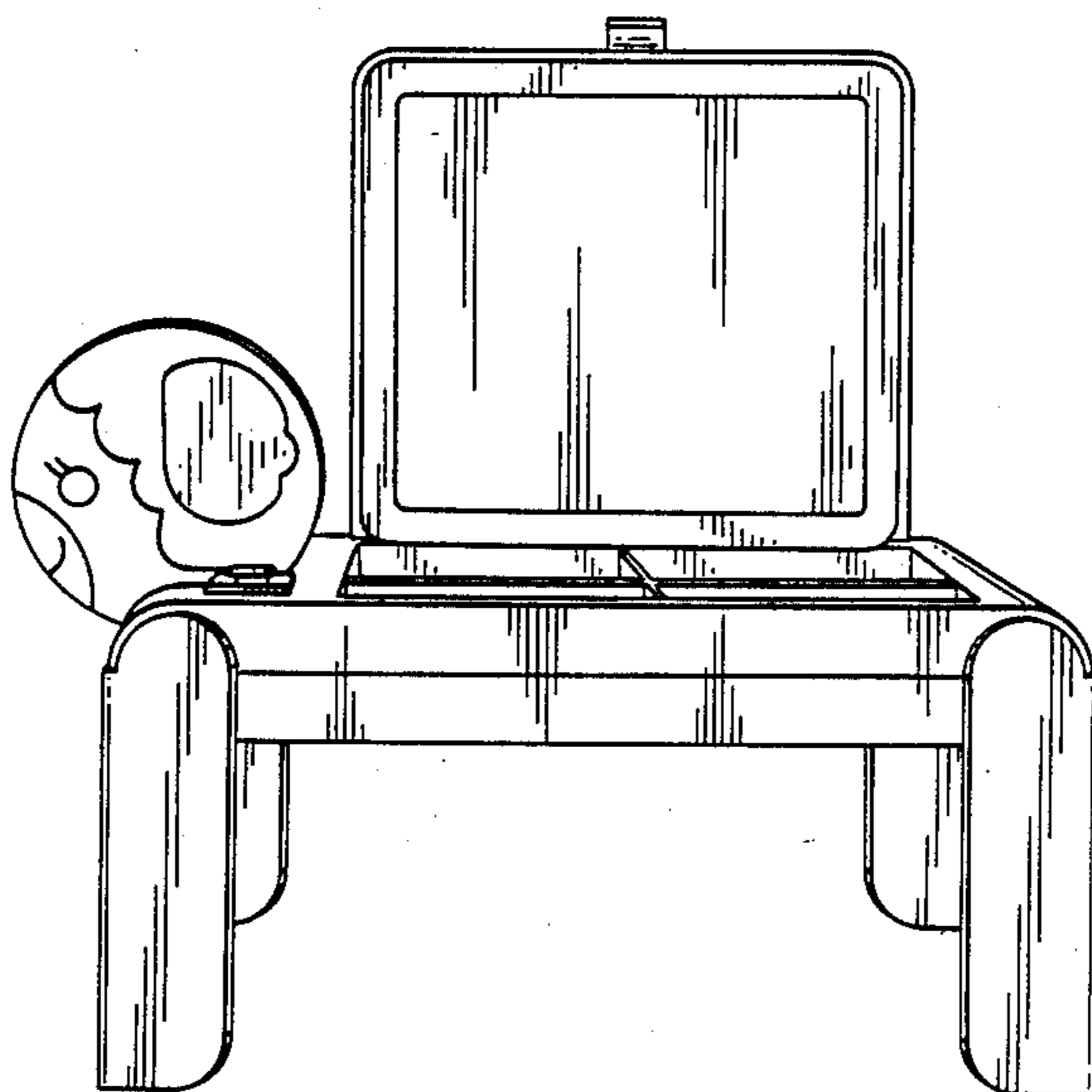


FIG. 1

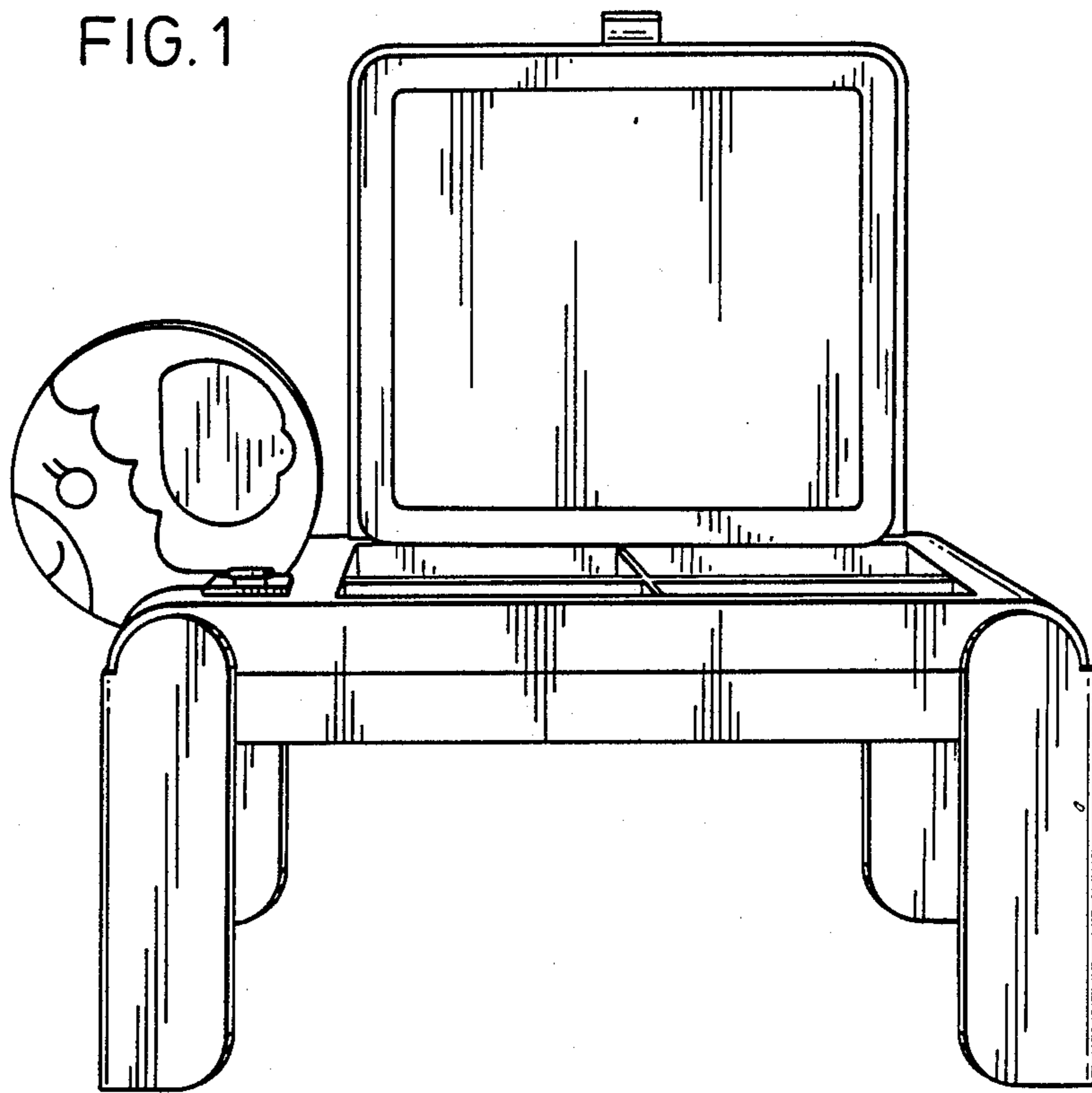
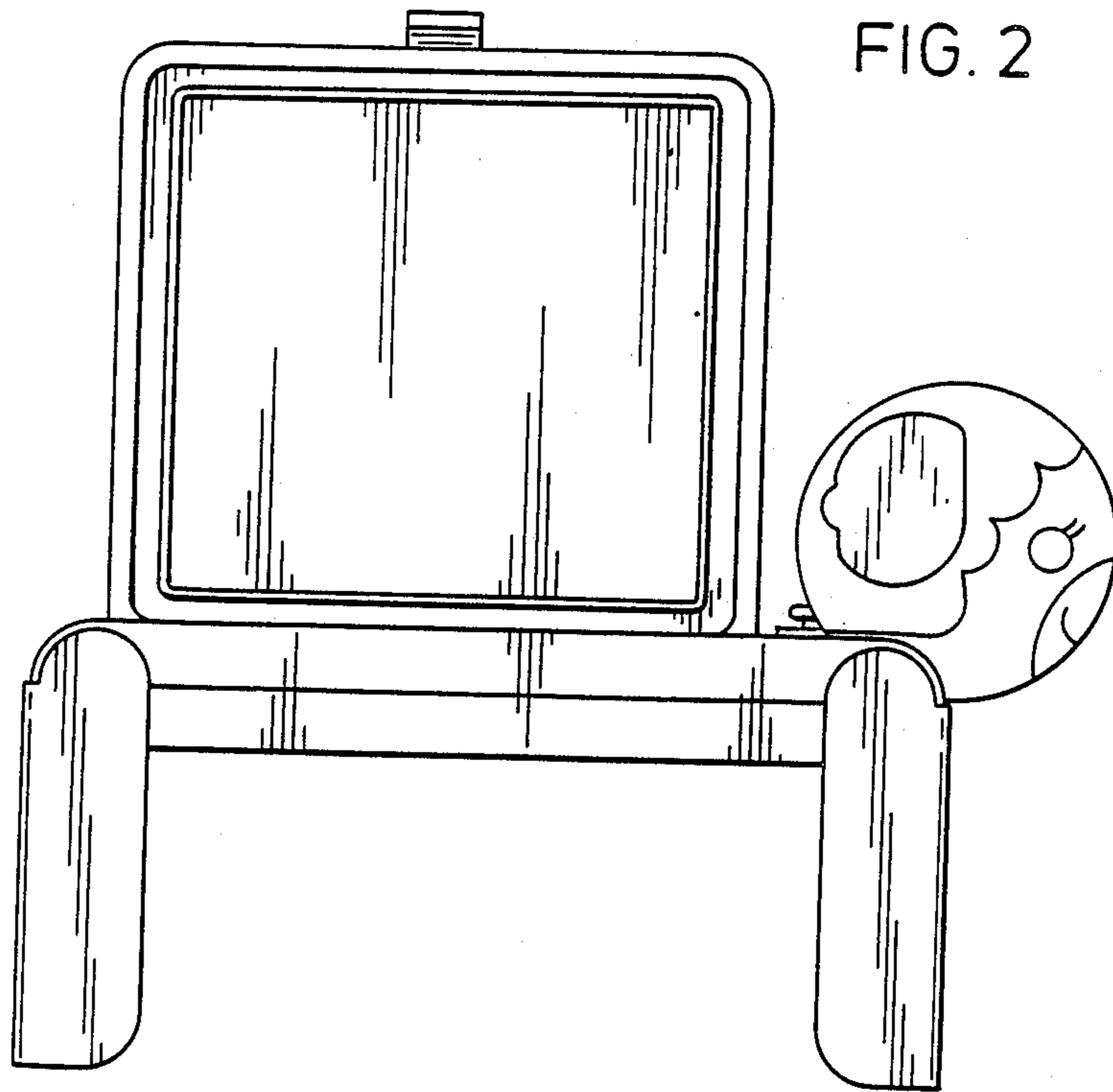


FIG. 2



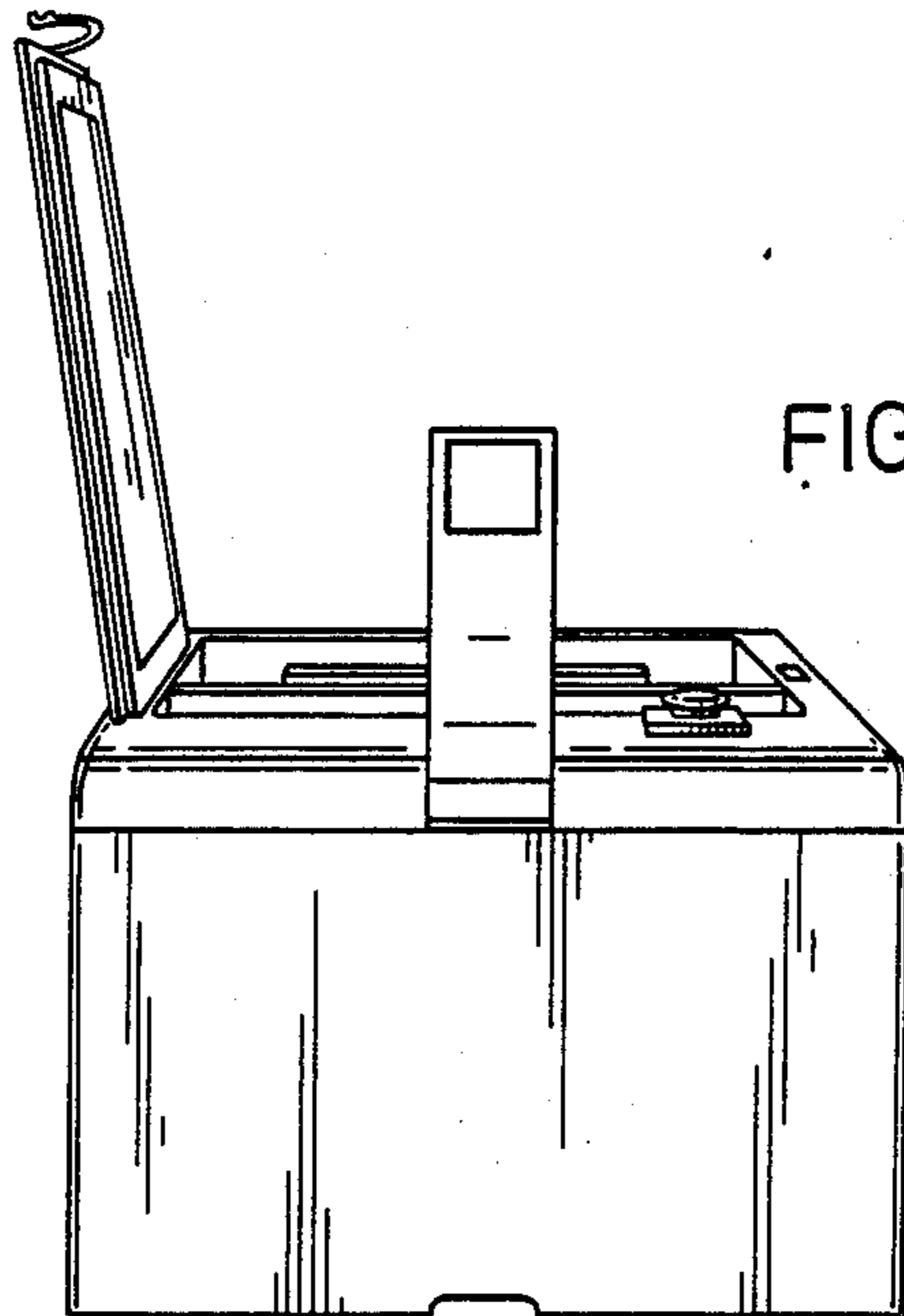


FIG. 3

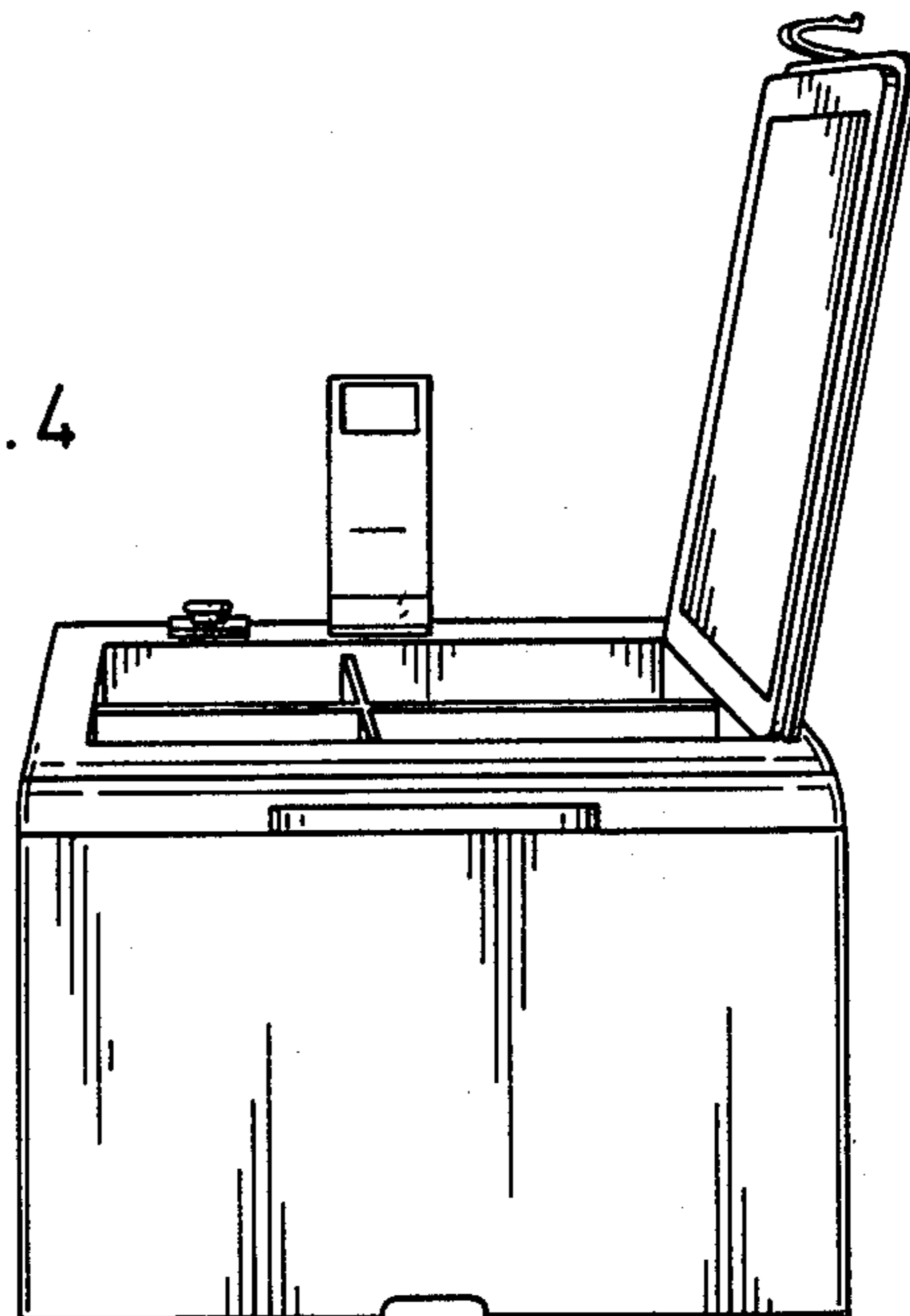


FIG. 4

FIG. 5

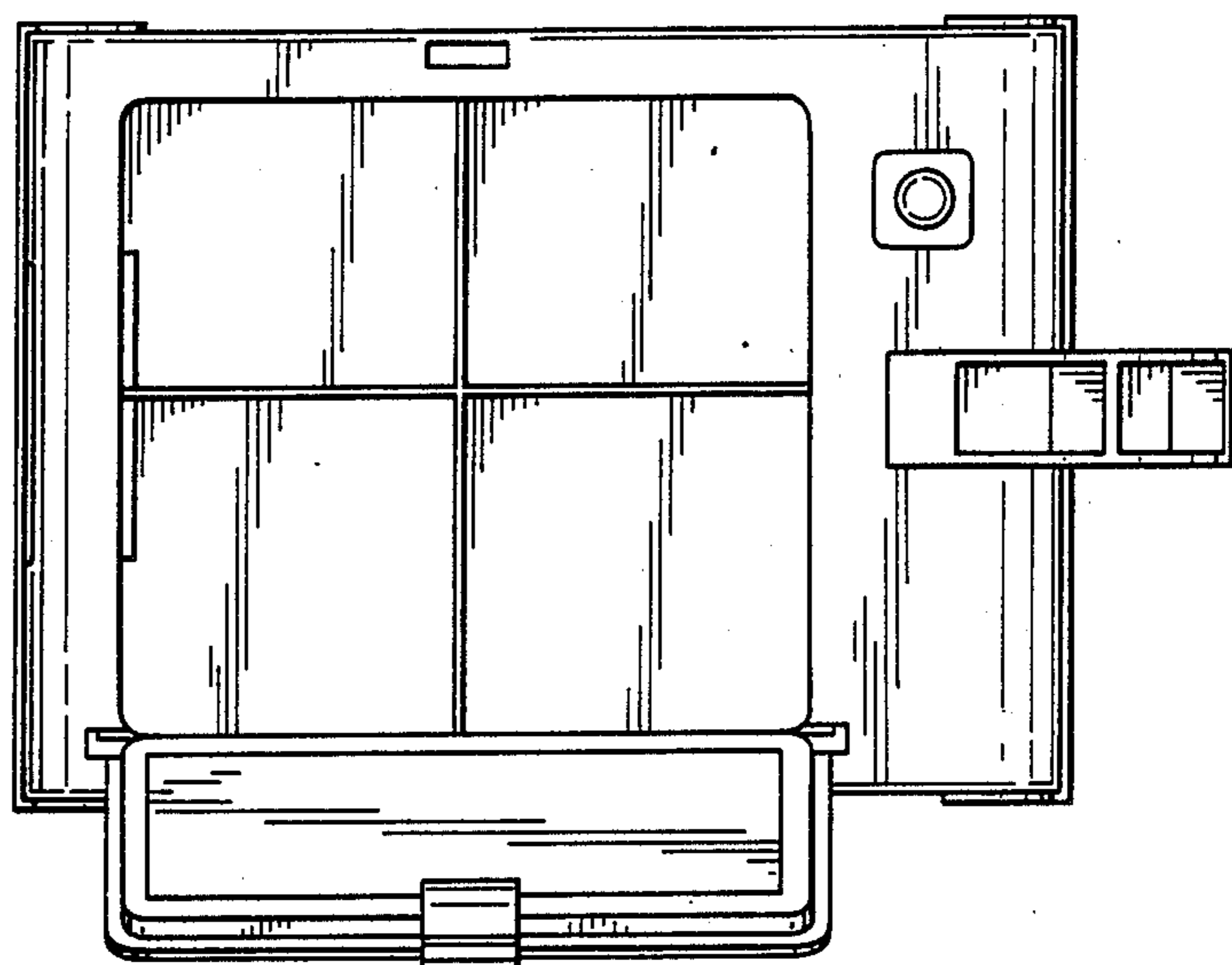
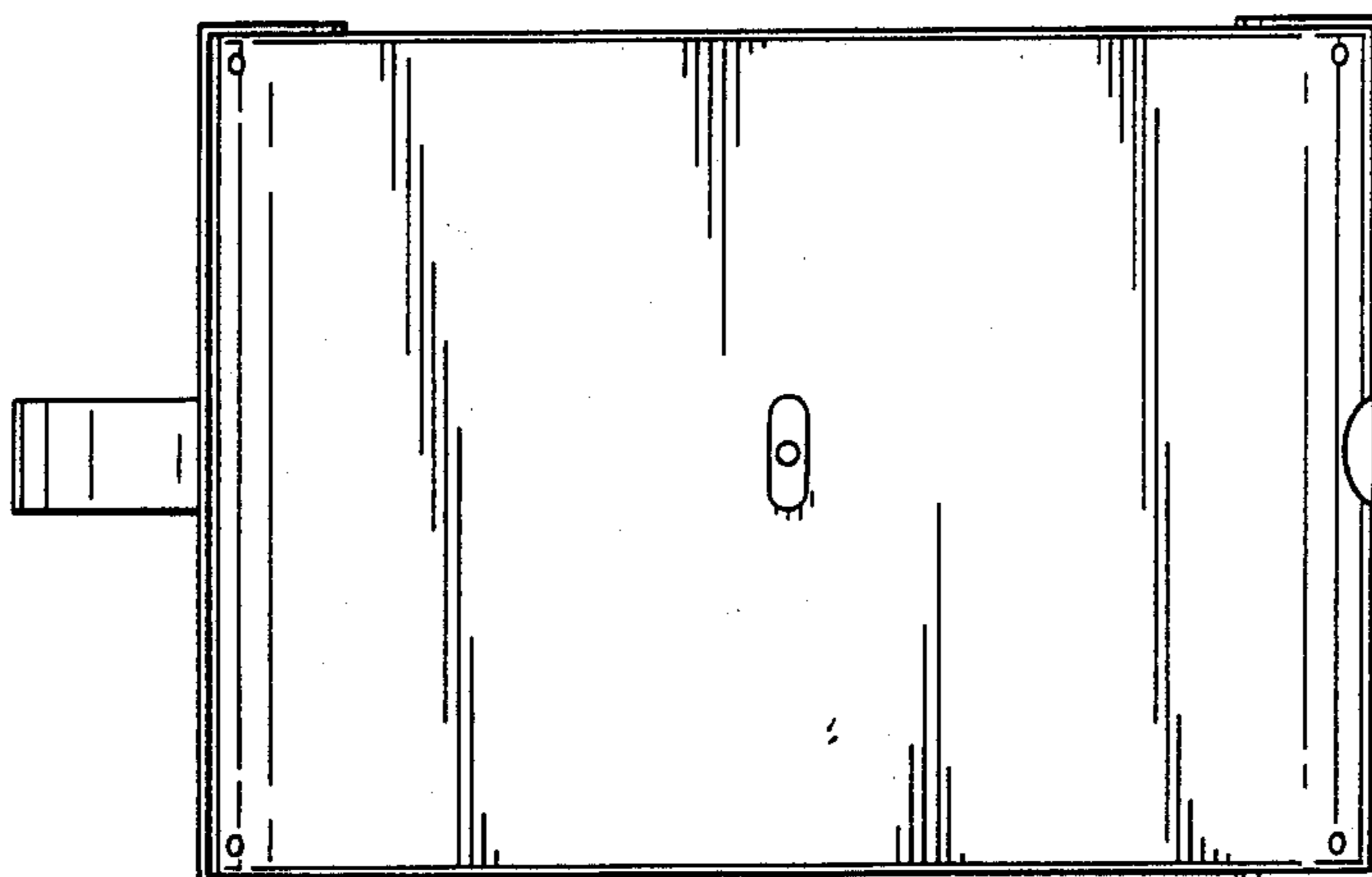


FIG. 6



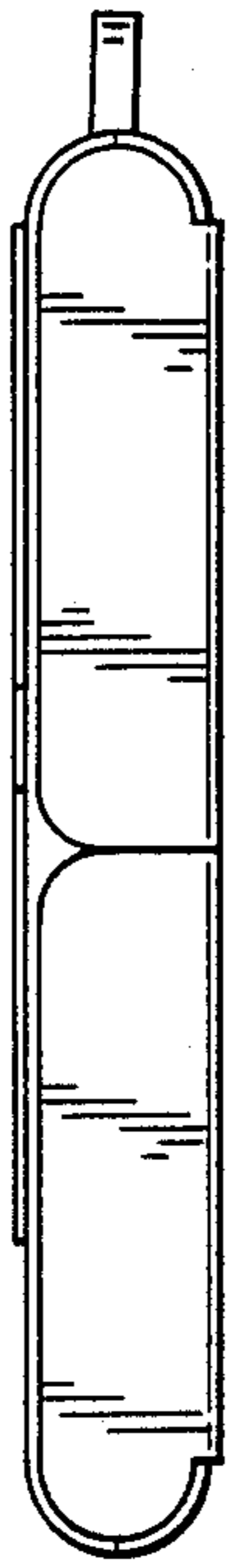


FIG. 7

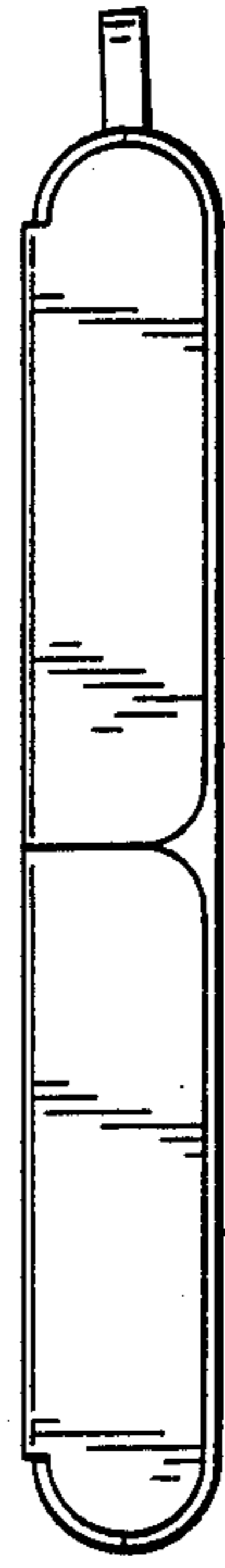


FIG. 8

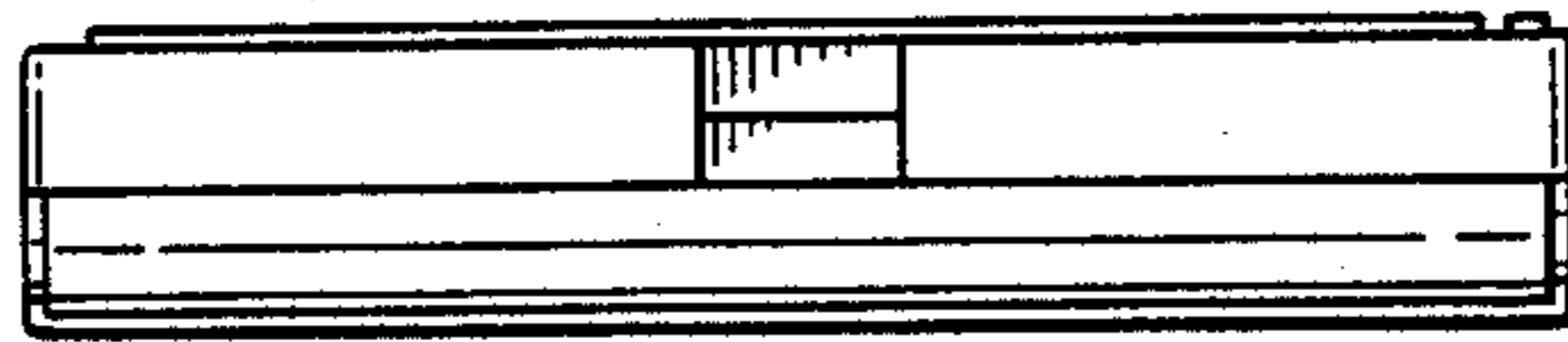


FIG. 9

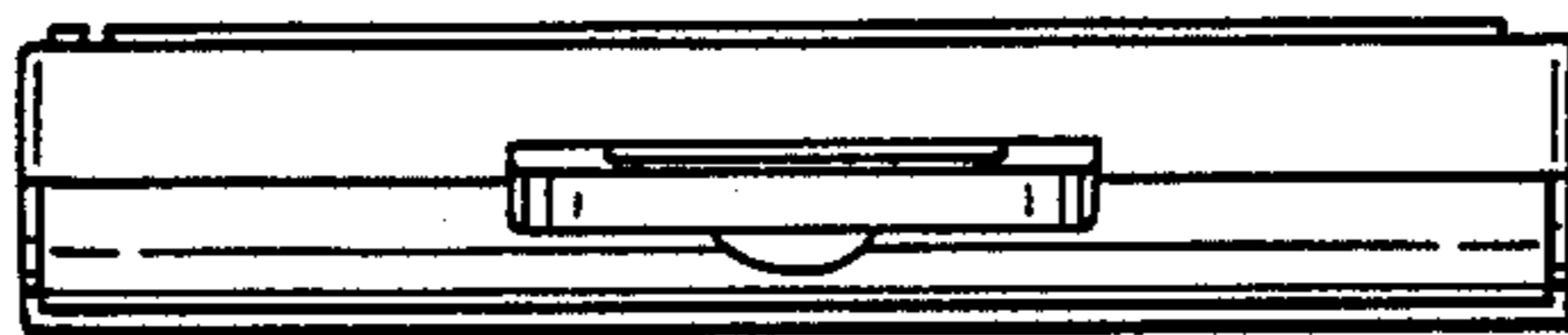


FIG. 10

FIG. 11

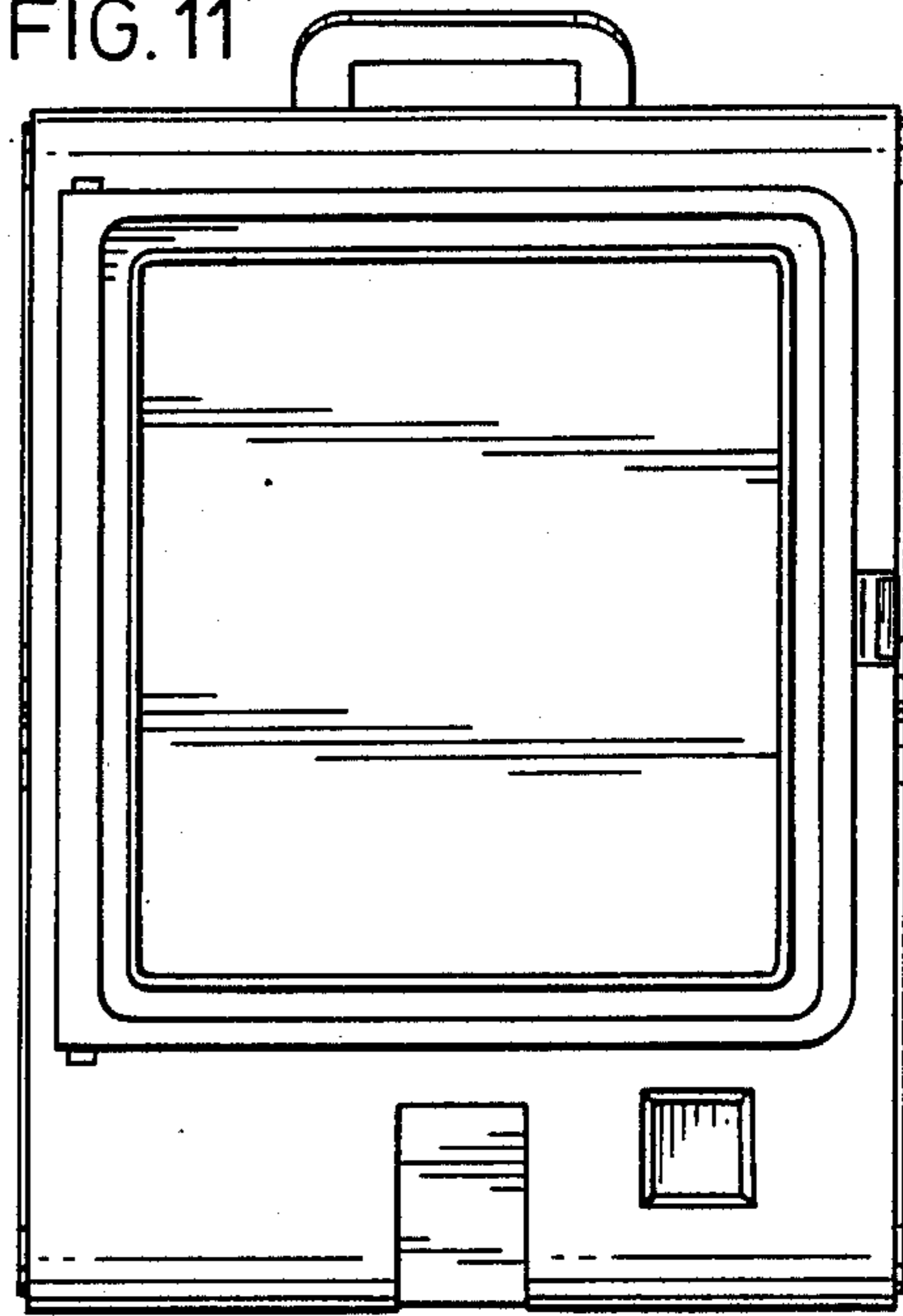


FIG. 12

