

[54] **TOY CONSTRUCTION PIECE**

[76] **Inventor:** Richard W. Staffon, 1439 Brookdale Dr., Brooklyn Park, Minn. 55444

[**] **Term:** 14 Years

[21] **Appl. No.:** 165,136

[22] **Filed:** Mar. 7, 1988

[52] **U.S. Cl.** D21/108

[58] **Field of Search** D21/104, 108, 114, 115, D21/117; 446/85, 102, 105, 106, 108, 114, 115, 116, 117, 118, 120, 121, 122, 124, 125, 126, 127

[56] **References Cited**

U.S. PATENT DOCUMENTS

D. 48,859	4/1916	Gilbert	D21/108
1,163,851	12/1915	Pringle	446/127
2,226,763	12/1940	Geib et al.	446/116
2,844,910	7/1958	Korchak	446/106
3,429,093	2/1969	Hufgard	446/125
3,979,855	9/1976	Schmidt et al.	446/124

FOREIGN PATENT DOCUMENTS

1170454	7/1984	Canada	446/124
2574306	6/1986	France	446/125
605970	6/1960	Italy	446/125

Primary Examiner—Melvin B. Feifer
Assistant Examiner—Alicia A. Farrell
Attorney, Agent, or Firm—Steven E. Kahm

[57] **CLAIM**

The ornamental design for a toy construction piece, as shown and described.

DESCRIPTION

FIG. 1 is a perspective view of a toy construction piece showing my new design;

FIG. 2 is a top plan view thereof;

FIG. 3 is a front elevational view thereof; the side opposite being a mirror image;

FIG. 4 is a bottom plan view thereof; and

FIG. 5 is an end elevational view thereof; the side opposite being a mirror image.

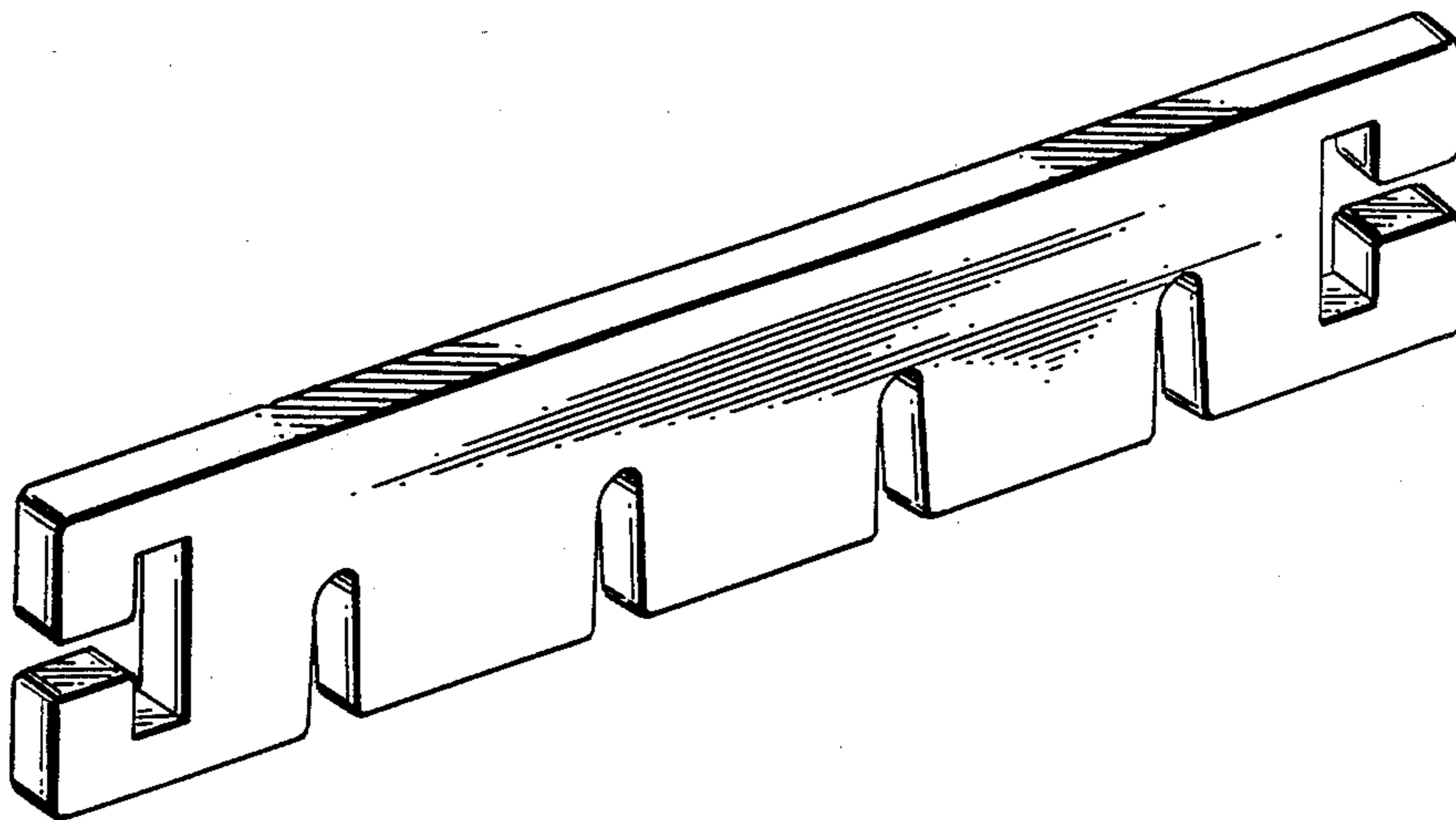


FIG. 1

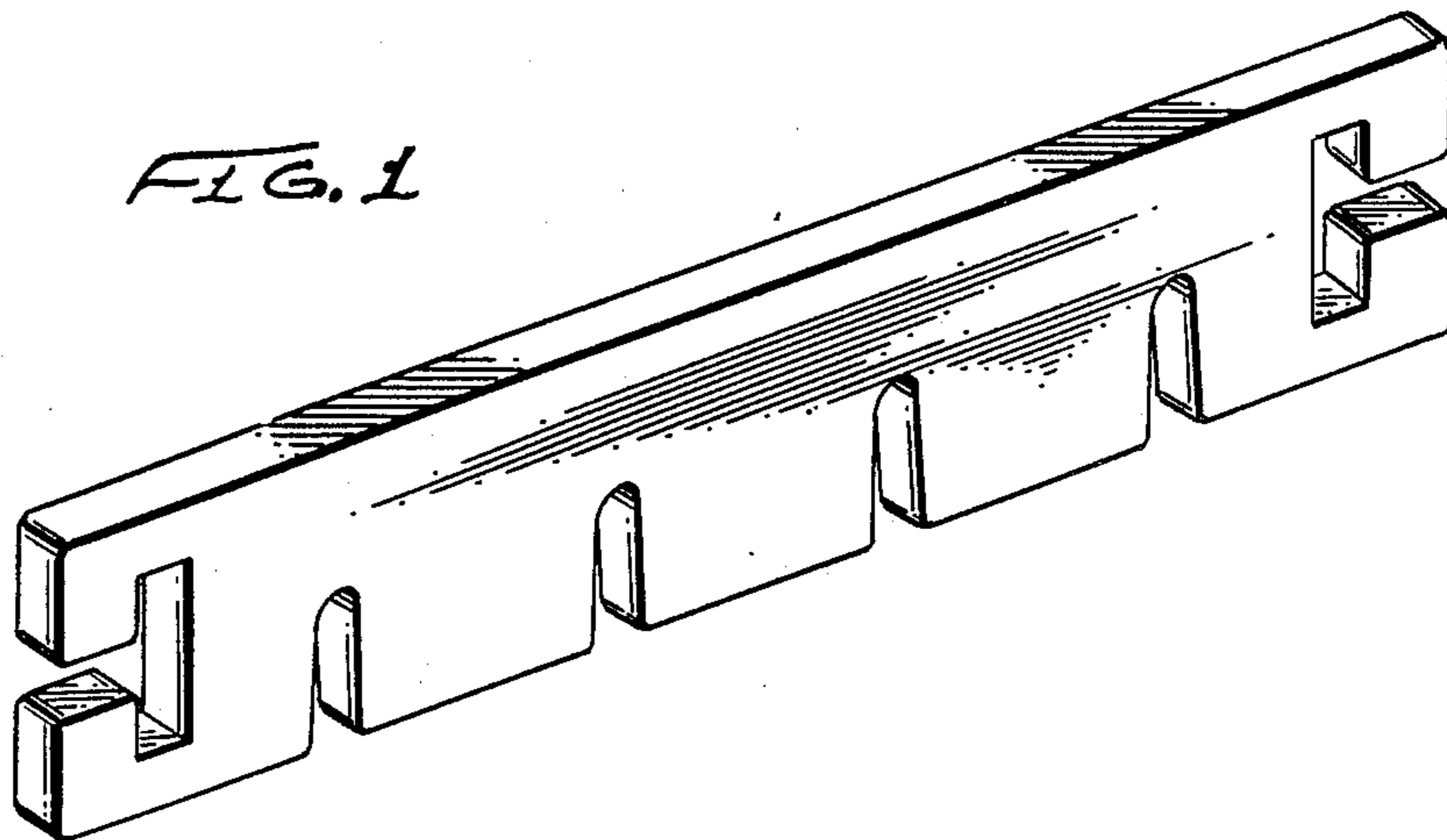


FIG. 2



FIG. 3

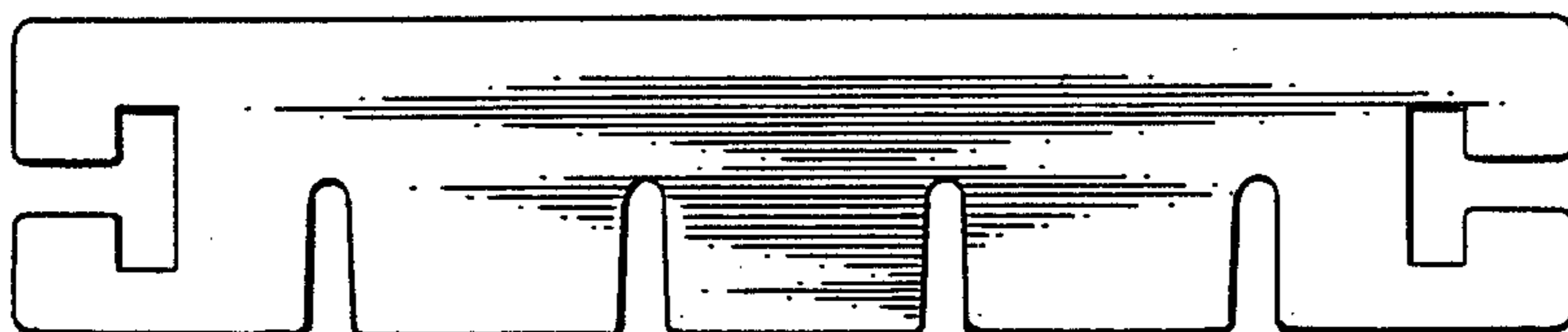


FIG. 5



FIG. 4