

[54] **HOLDER FOR RETAINING SMALL METAL OBJECTS MAGNETICALLY**

D. 290,140 6/1987 Wolff ..... D19/75  
D. 300,641 4/1989 King ..... D19/75

[75] Inventor: **Gerald W. H. Dahle**, Coburg, Fed. Rep. of Germany

*Primary Examiner*—Bruce W. Dunkins  
*Assistant Examiner*—Martha Thompson  
*Attorney, Agent, or Firm*—Spencer & Frank

[73] Assignee: **Wilhelm Dahle Büro- und Zeichengerätefabrik**, Coburg, Fed. Rep. of Germany

[57] **CLAIM**

The ornamental design of a holder for retaining small metal objects magnetically, as shown and described.

[\*\*] Term: **14 Years**

**DESCRIPTION**

[21] Appl. No.: **12,203**

FIG. 1 is a perspective view of a holder for retaining small metal objects magnetically showing my new design in a closed condition;

[22] Filed: **Feb. 9, 1987**

FIG. 2 is a side elevational view;

[30] **Foreign Application Priority Data**

Oct. 4, 1986 [DE] Fed. Rep. of Germany ..... MR 4554

FIG. 3 is a front elevational view;

[52] U.S. Cl. .... **D19/75; D19/95**

FIG. 4 is a top plan view;

[58] Field of Search ..... **D19/65, 75, 92, 95, D19/100; 206/214**

FIG. 5 is a rear elevational view;

FIG. 6 is a bottom plan view;

[56] **References Cited**

**U.S. PATENT DOCUMENTS**

D. 266,934 11/1982 King ..... D19/75  
D. 273,309 4/1984 Evenson ..... D19/75  
D. 282,380 1/1986 King ..... D19/75  
D. 289,662 5/1987 Wolff ..... D19/75

FIG. 7 is a perspective view of my design in an open-end condition;

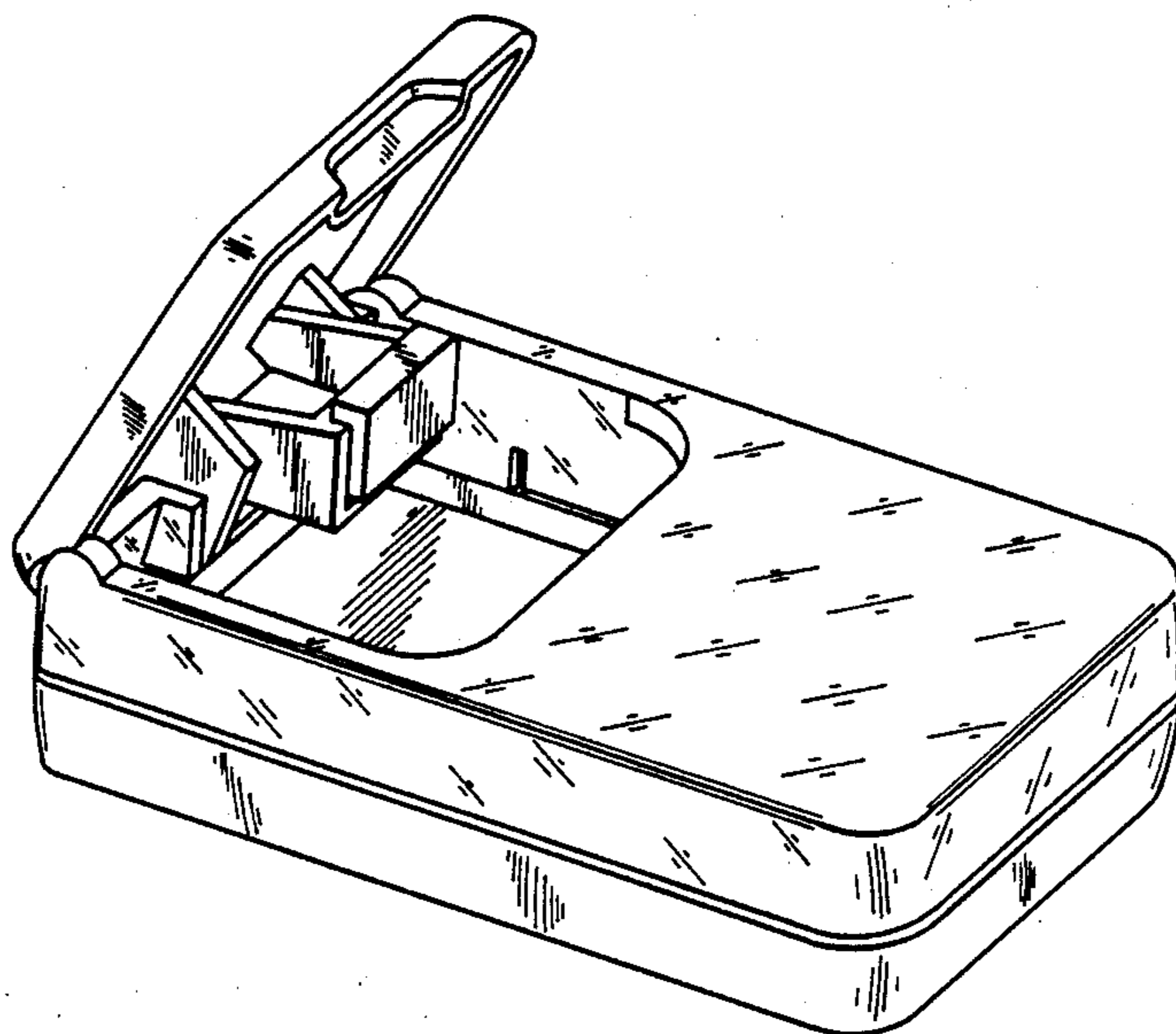
FIG. 8 is a side elevational view of FIG. 7;

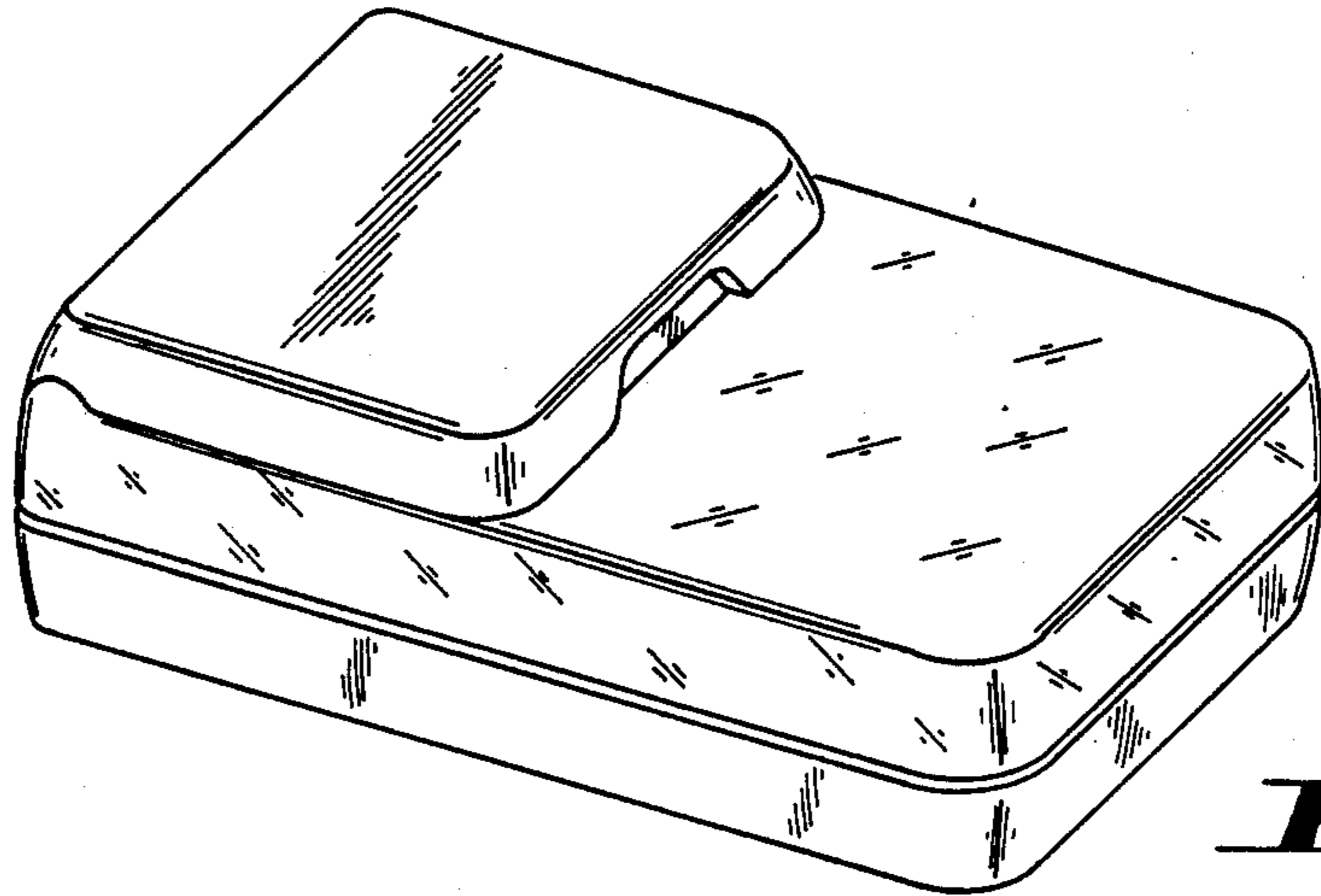
FIG. 9 is a front elevational view of FIG. 7;

FIG. 10 is a top plan view of FIG. 7;

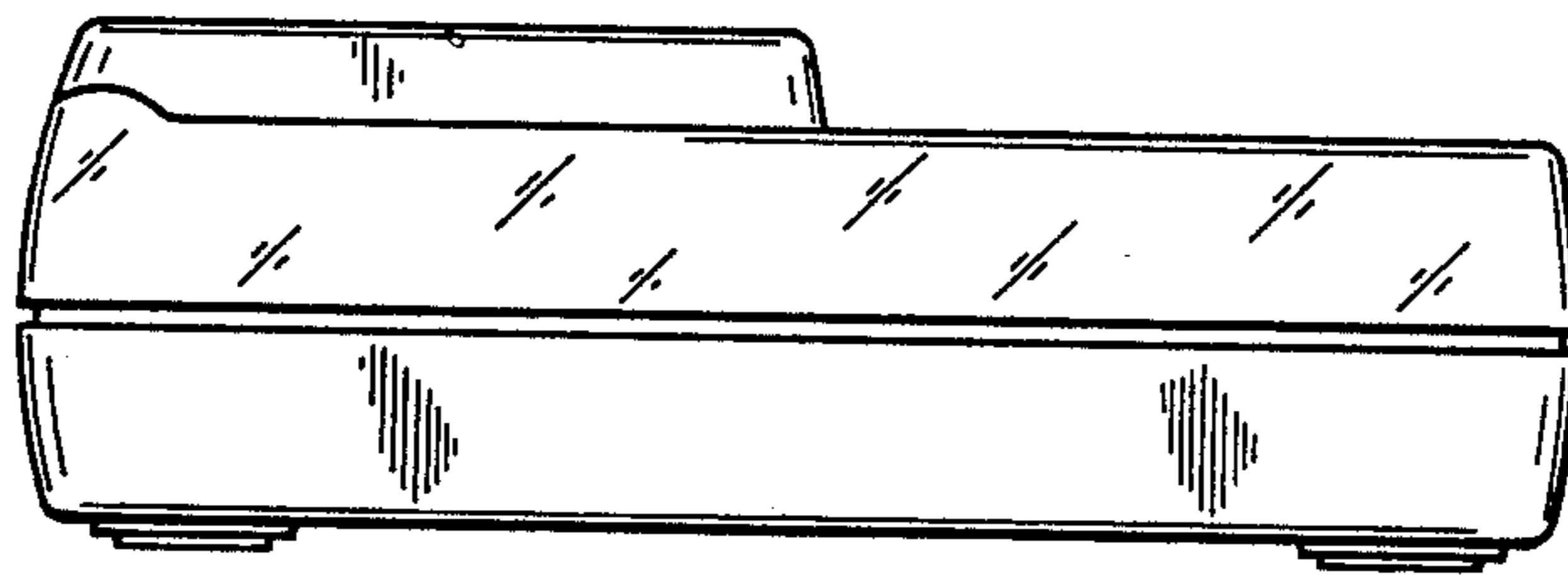
FIG. 11 is a rear elevational view of FIG. 7; and

FIG. 12 is a bottom plan view of FIG. 7.

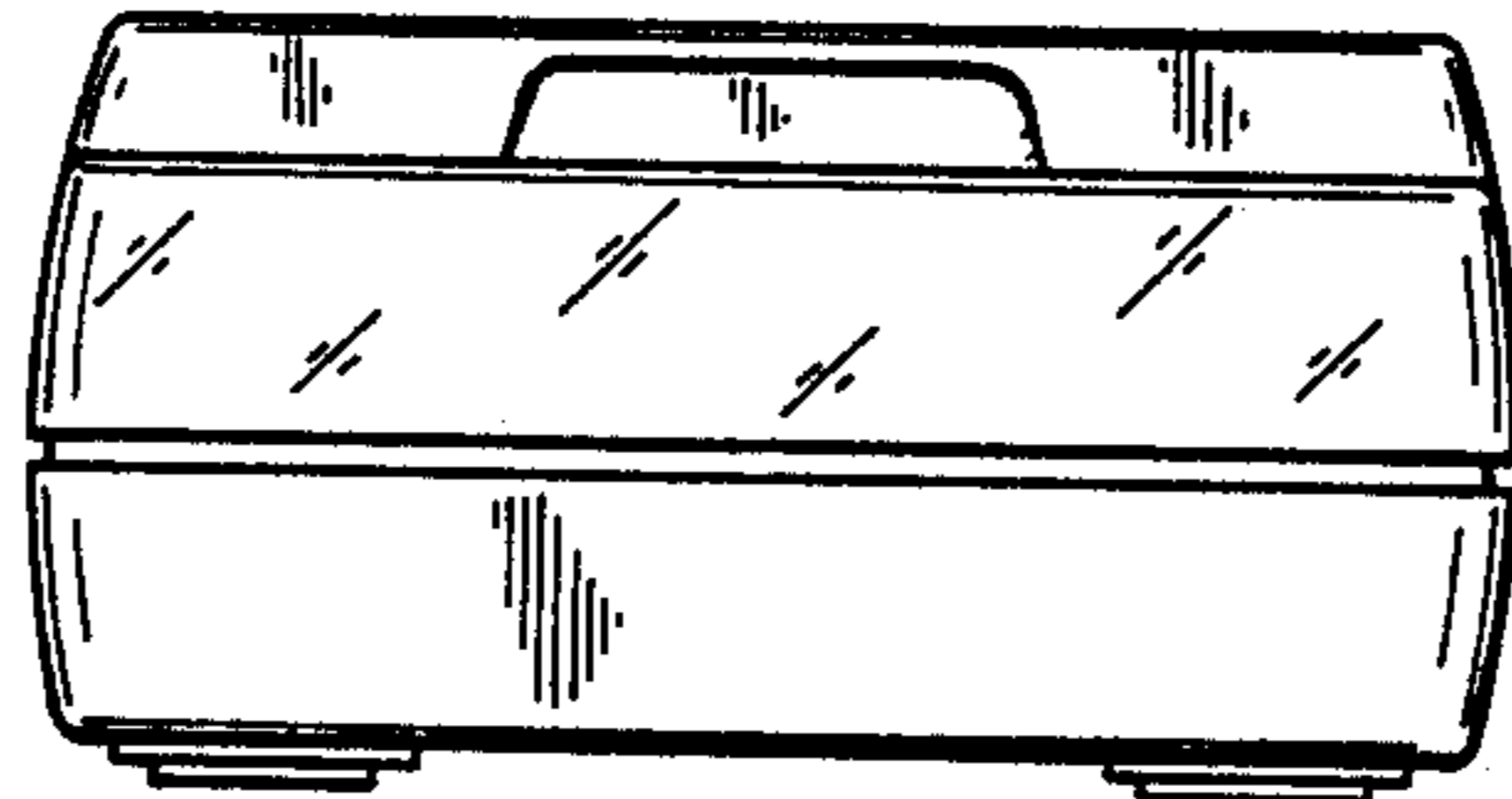




**Fig. 1**

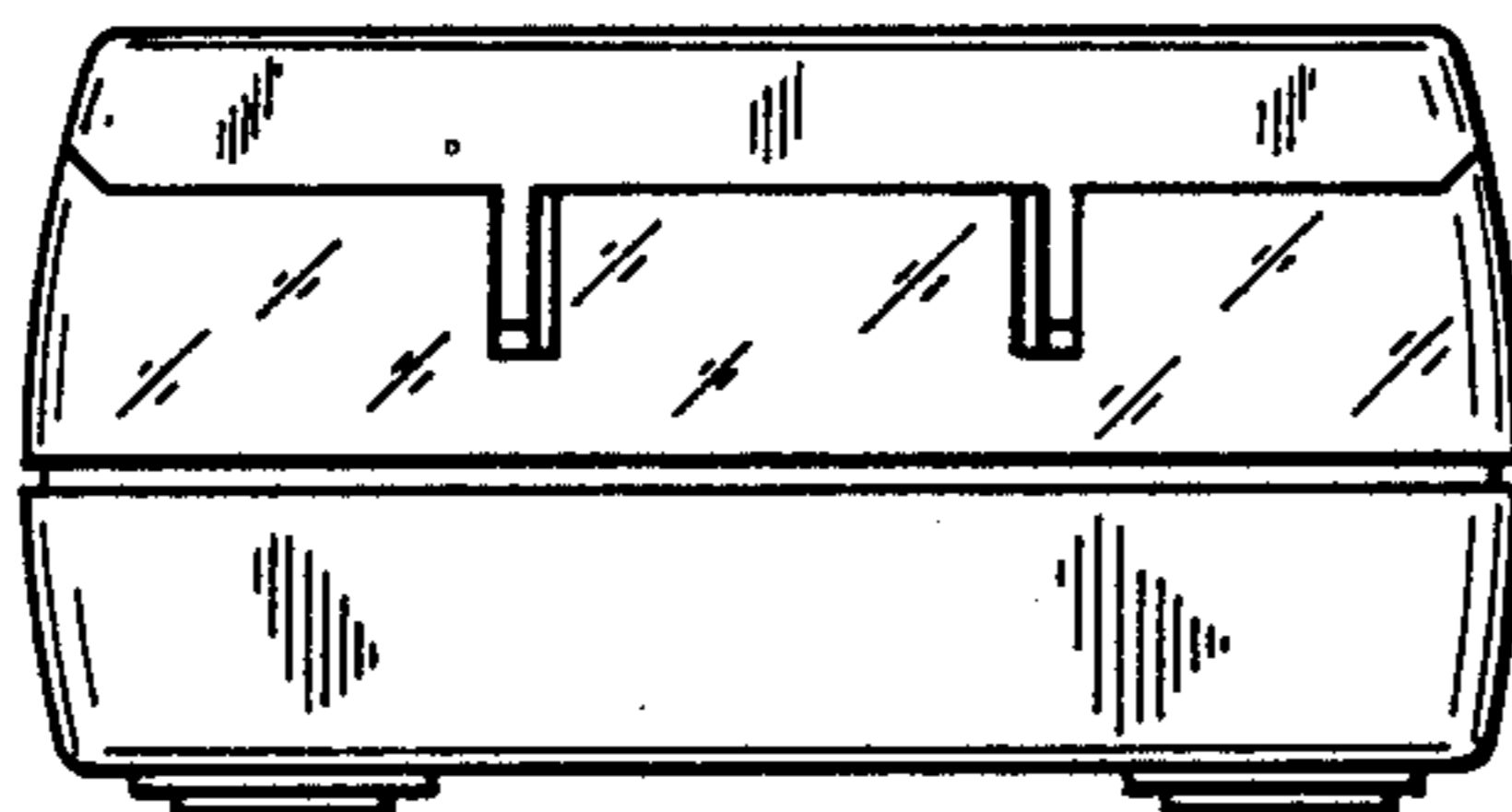
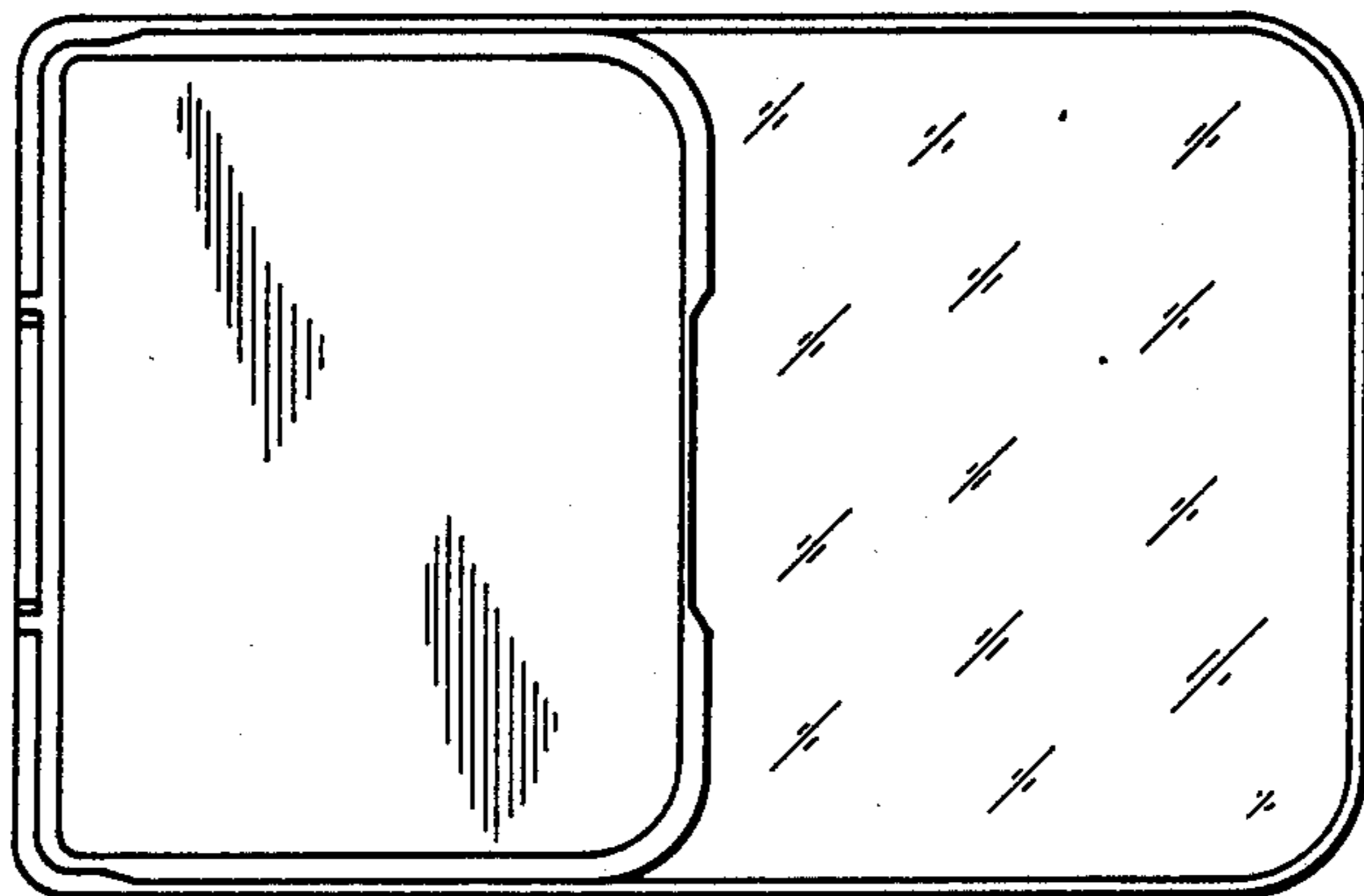


**Fig. 2**

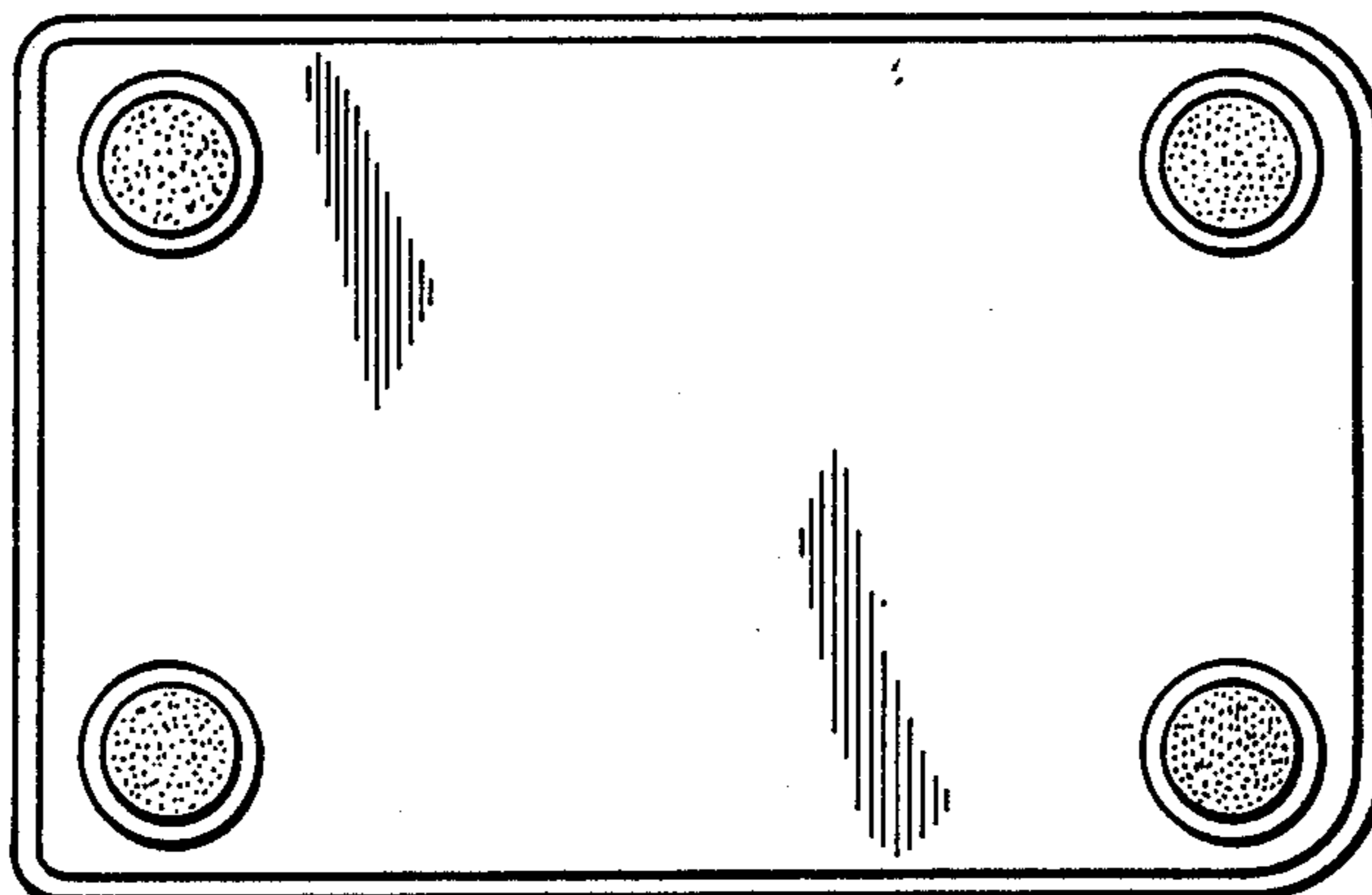


**Fig. 3**

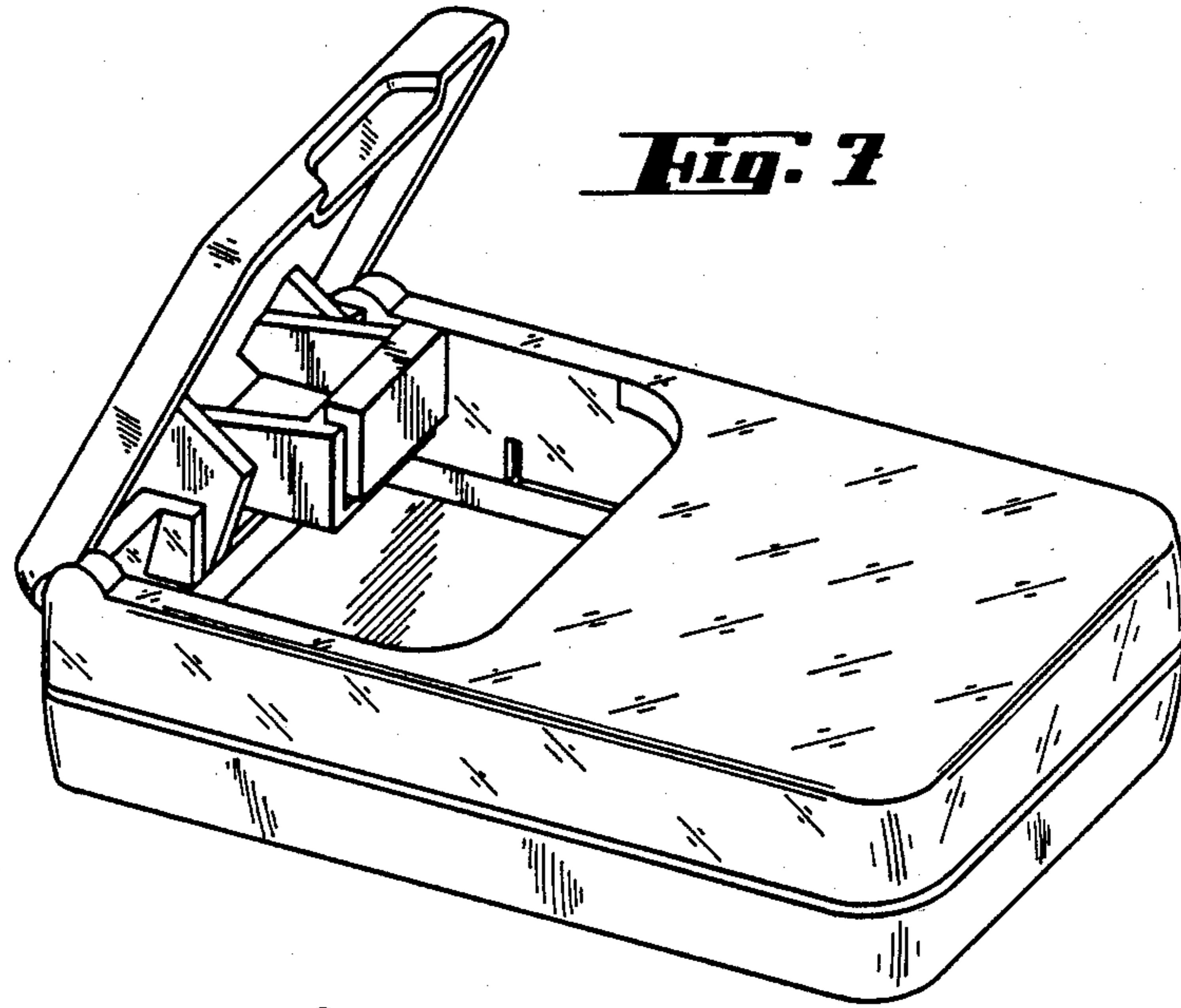
**Fig. 4**



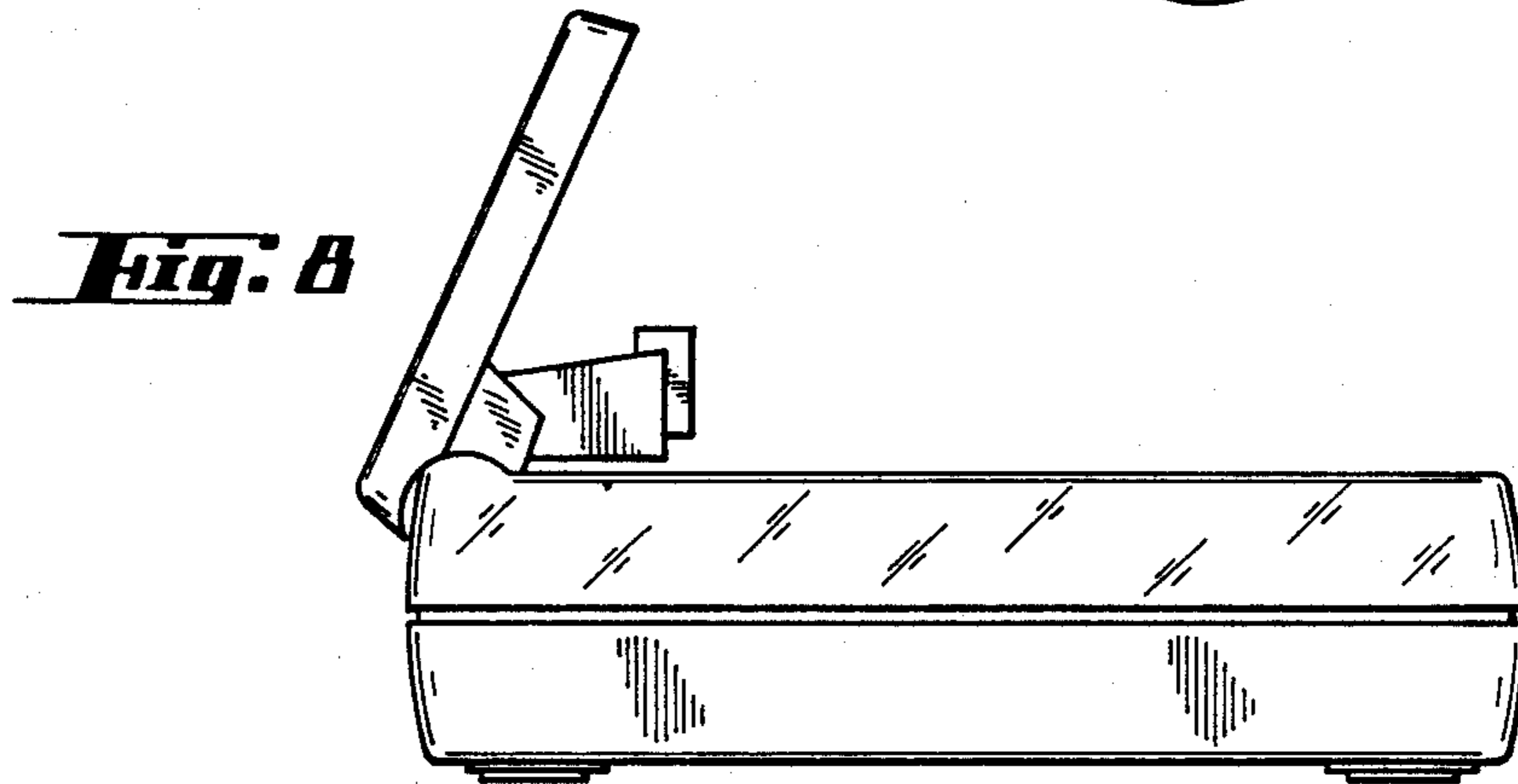
**Fig. 5**



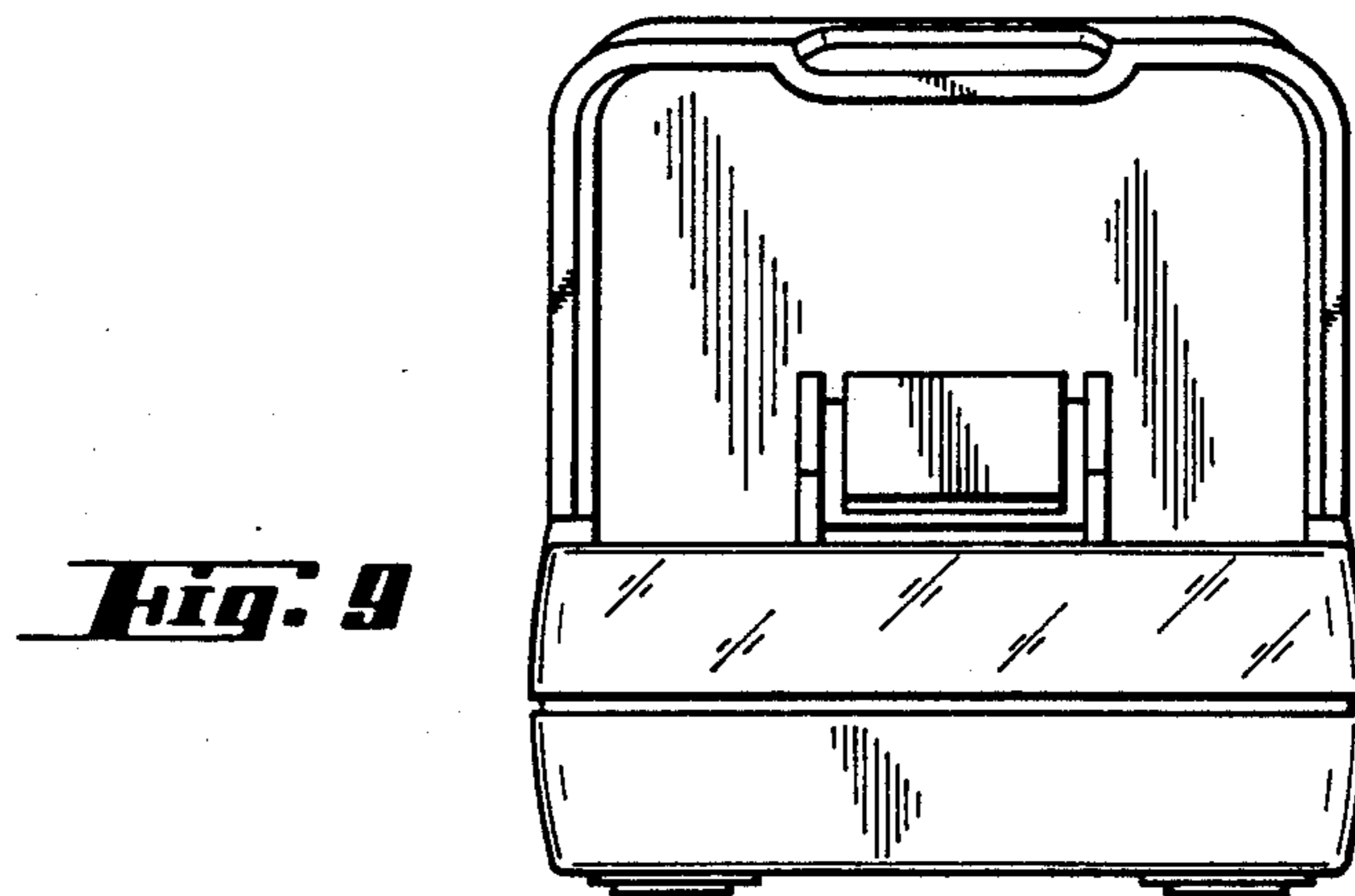
**Fig. 6**



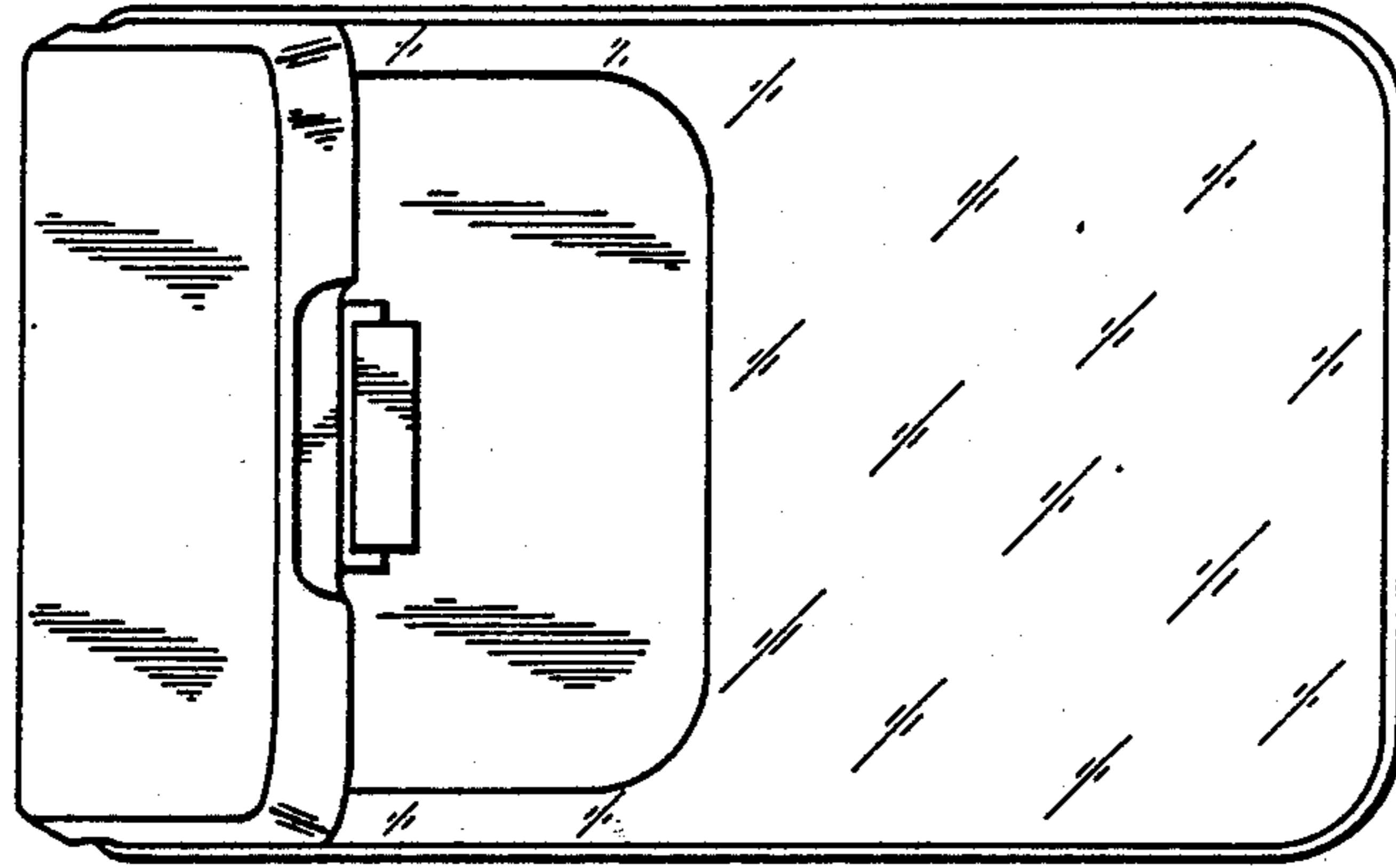
**Fig. 7**



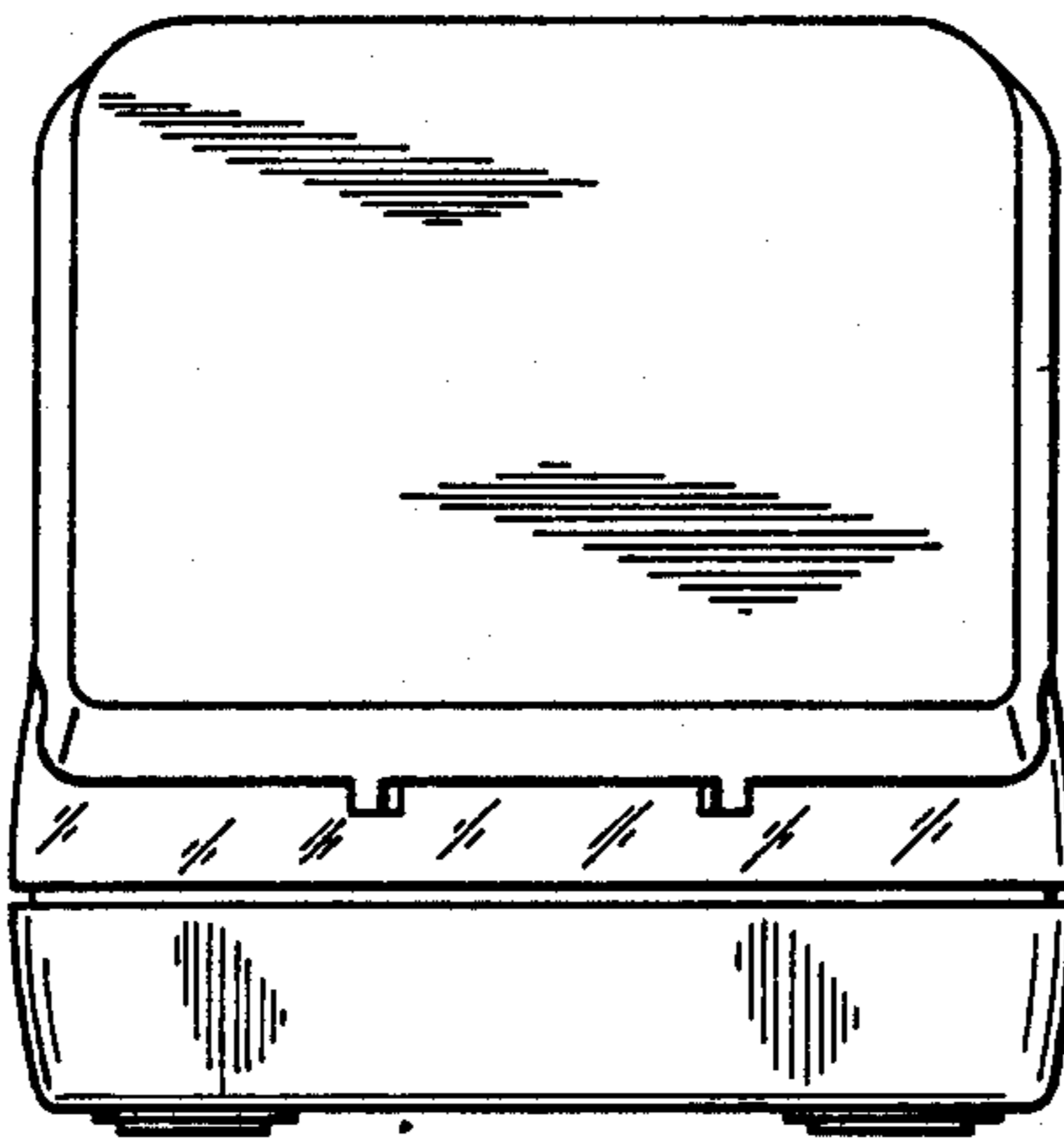
**Fig. 8**



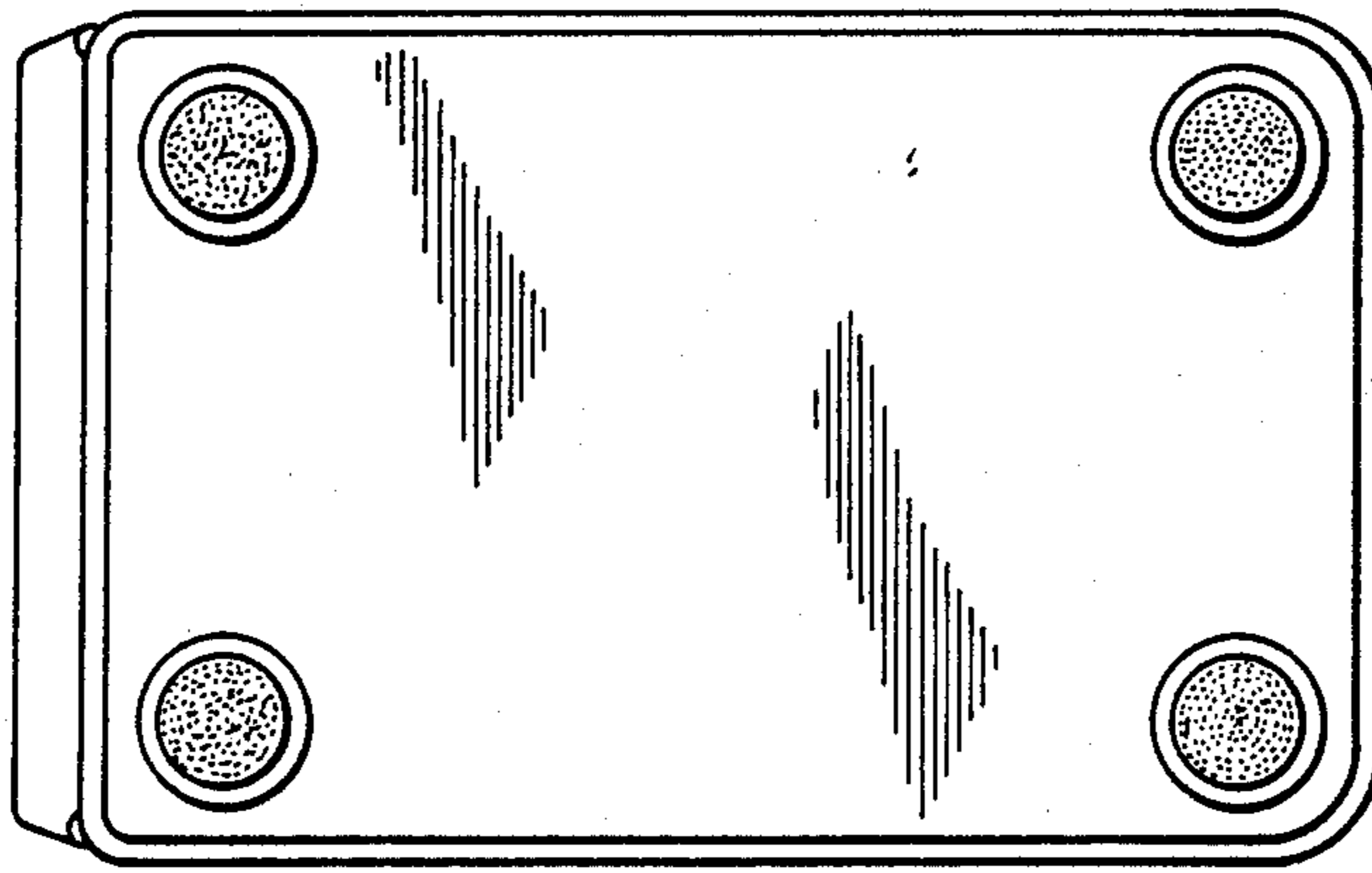
**Fig. 9**



**Fig. 10**



**Fig. 11**



**Fig. 12**