

[54] PORTFOLIO

[75] Inventor: John R. Wyant, Spring Valley, Ohio

[73] Assignee: The Mead Corporation, Dayton, Ohio

[\*\*] Term: 14 Years

[21] Appl. No.: 111,969

[22] Filed: Oct. 23, 1987

[52] U.S. Cl. .... D19/26; 206/215

[58] Field of Search ..... D19/26, 27, 28, 24, D19/30, 3, 4, 86, 33, 32; D3/56, 30.1; 402/31; 229/68 R, 75; 206/215; 150/135, 152; 40/156, 157, 158, 152, 152.1; 281/45, 19 R, 17, 47, 46, 34, 30, 38

[56] References Cited

U.S. PATENT DOCUMENTS

D. 267,152	12/1982	Nerlinger, Jr. ....	D19/3
2,568,941	9/1951	Benson .....	229/72
3,552,636	1/1971	Geary .....	206/215 X

Primary Examiner—Wallace R. Burke  
Assistant Examiner—Pamela J. Schmidt  
Attorney, Agent, or Firm—Biebel, French & Nauman

[57] CLAIM

The ornamental design for a portfolio, as shown and described.

DESCRIPTION

FIG. 1 is an elevational view of a portfolio showing my new design in open condition;  
 FIG. 2 is a perspective view thereof in a partially closed condition with the top flaps lifted;  
 FIG. 3 is a perspective view thereof in a partially closed condition with the top flaps lowered;  
 FIG. 4 is a perspective view thereof in a partially closed condition as seen from the rear side;  
 FIG. 5 is an elevational view showing a modified form of FIG. 1 in open condition, and wherein the only difference resides in the absence of a pair of score lines in the upper flap members; and,  
 FIG. 6 is a perspective view of the alternative embodiment in a partially closed condition with the top flaps lowered.

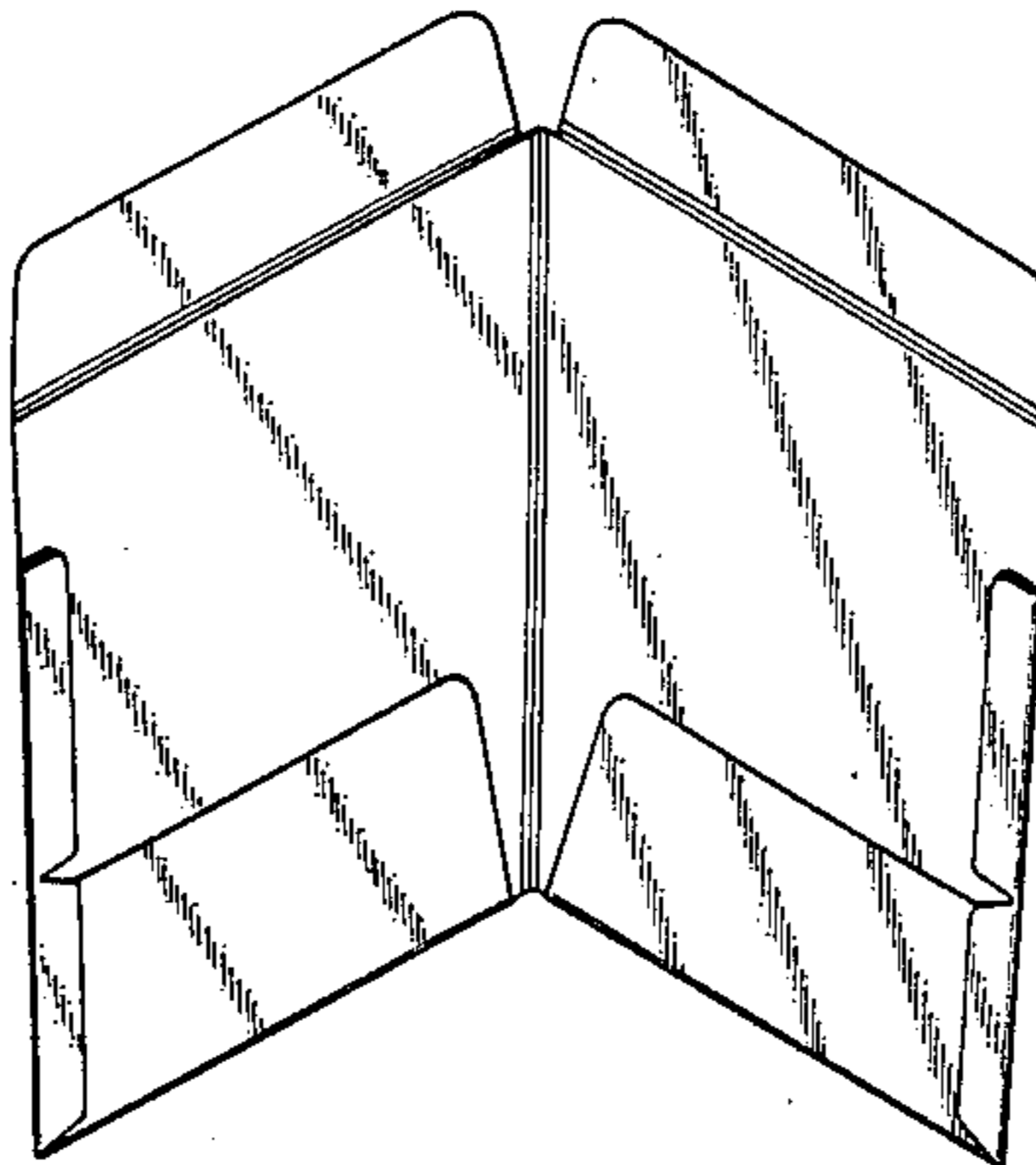
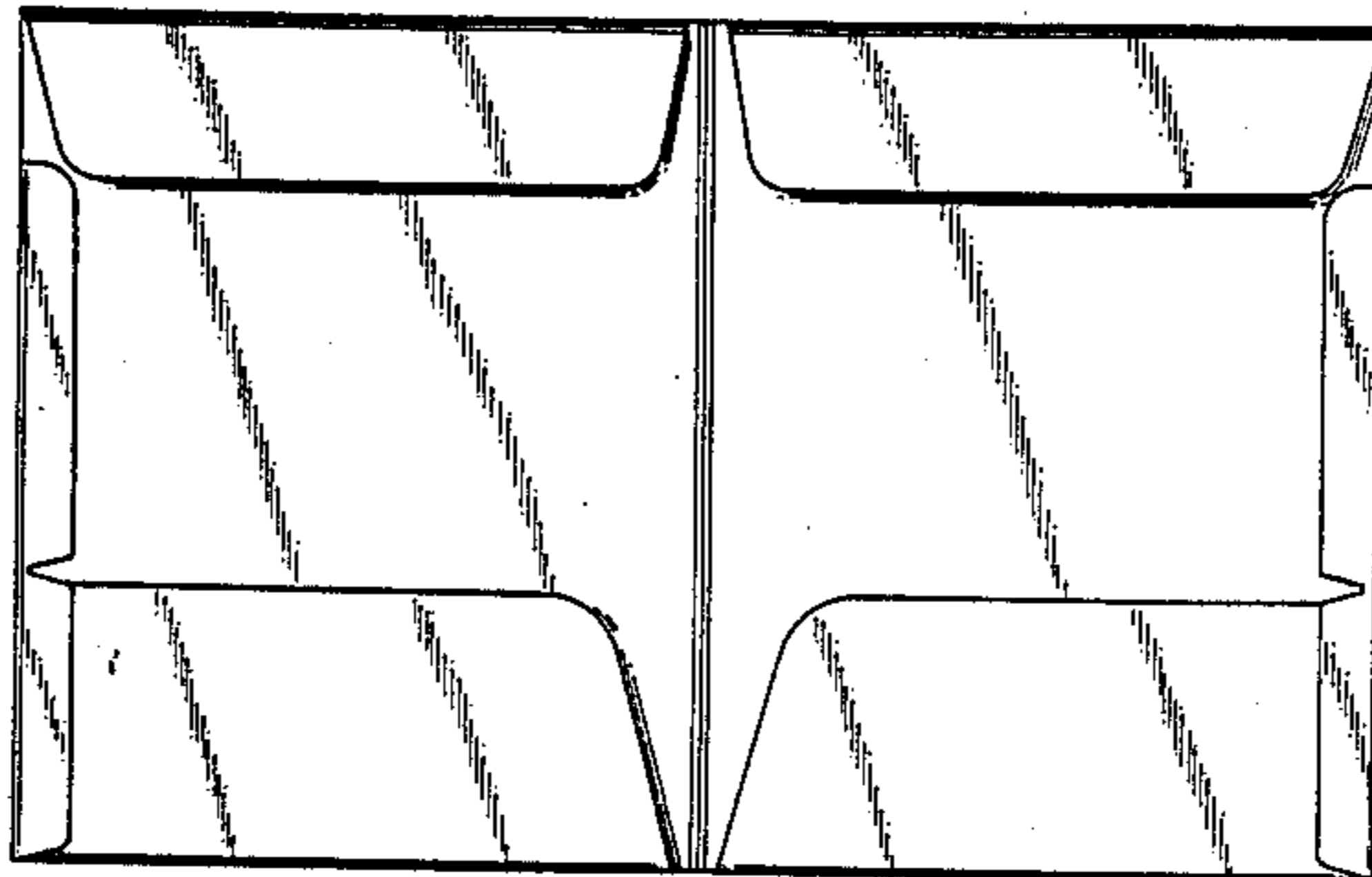


FIG-1

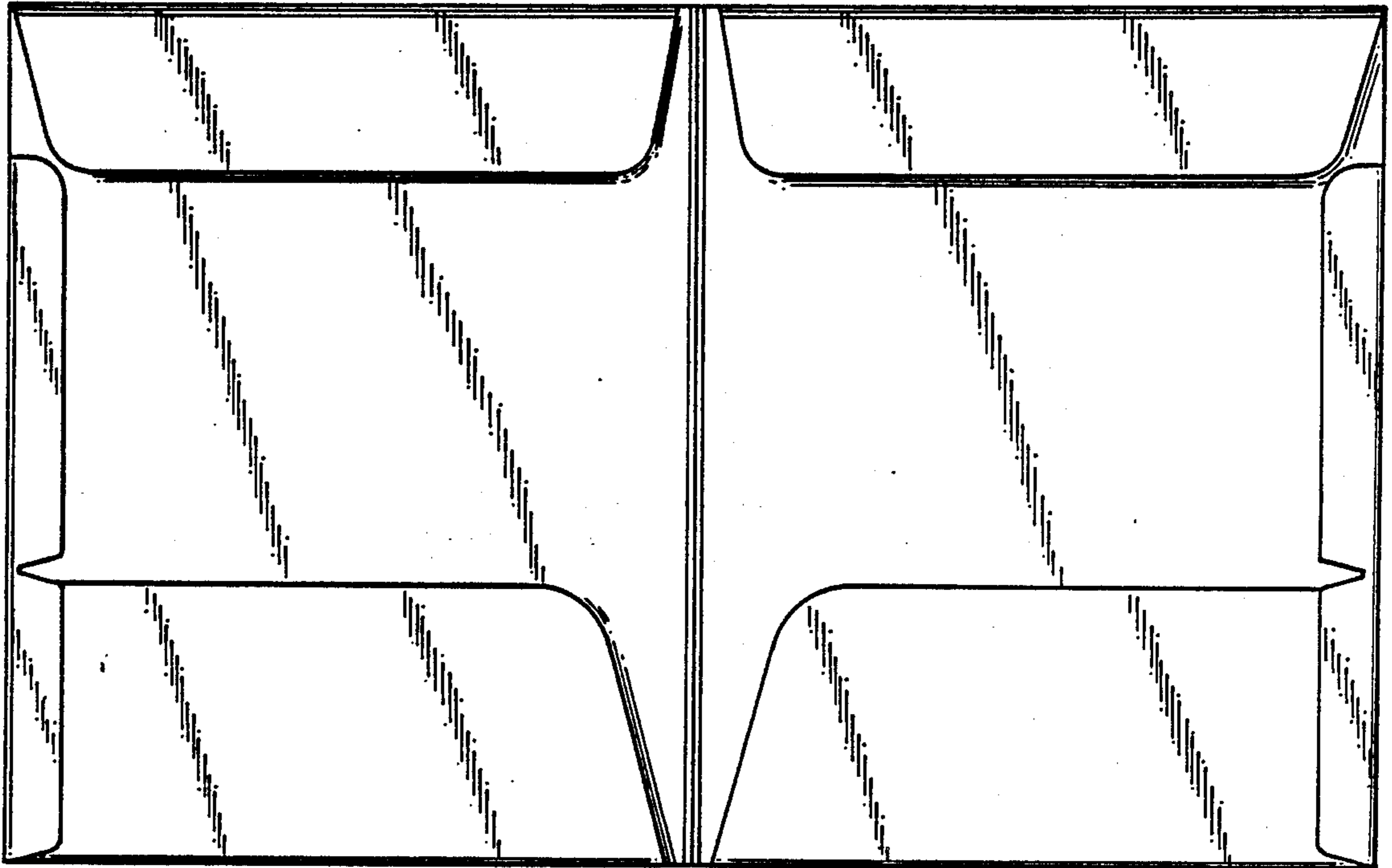


FIG-2

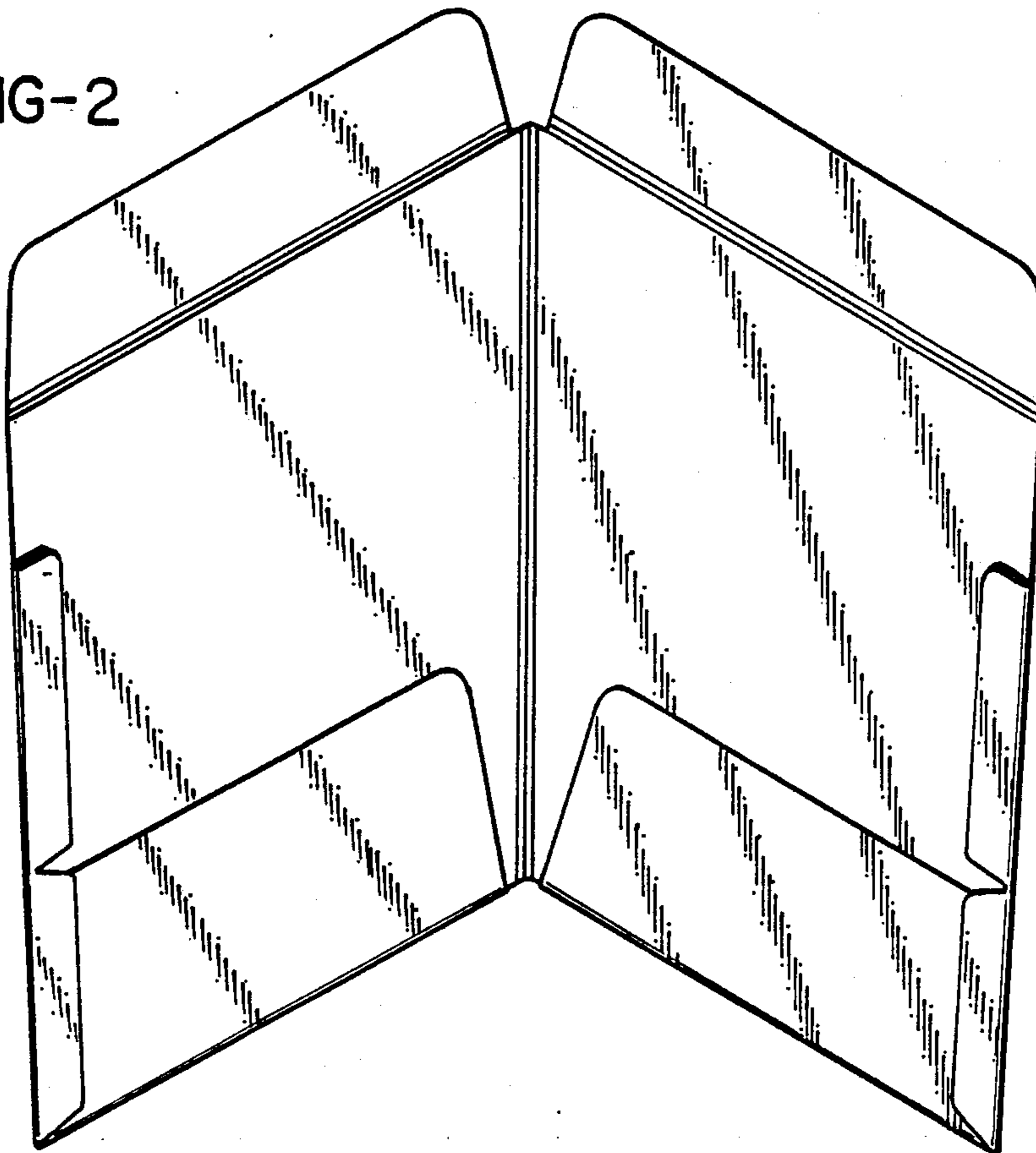


FIG-3

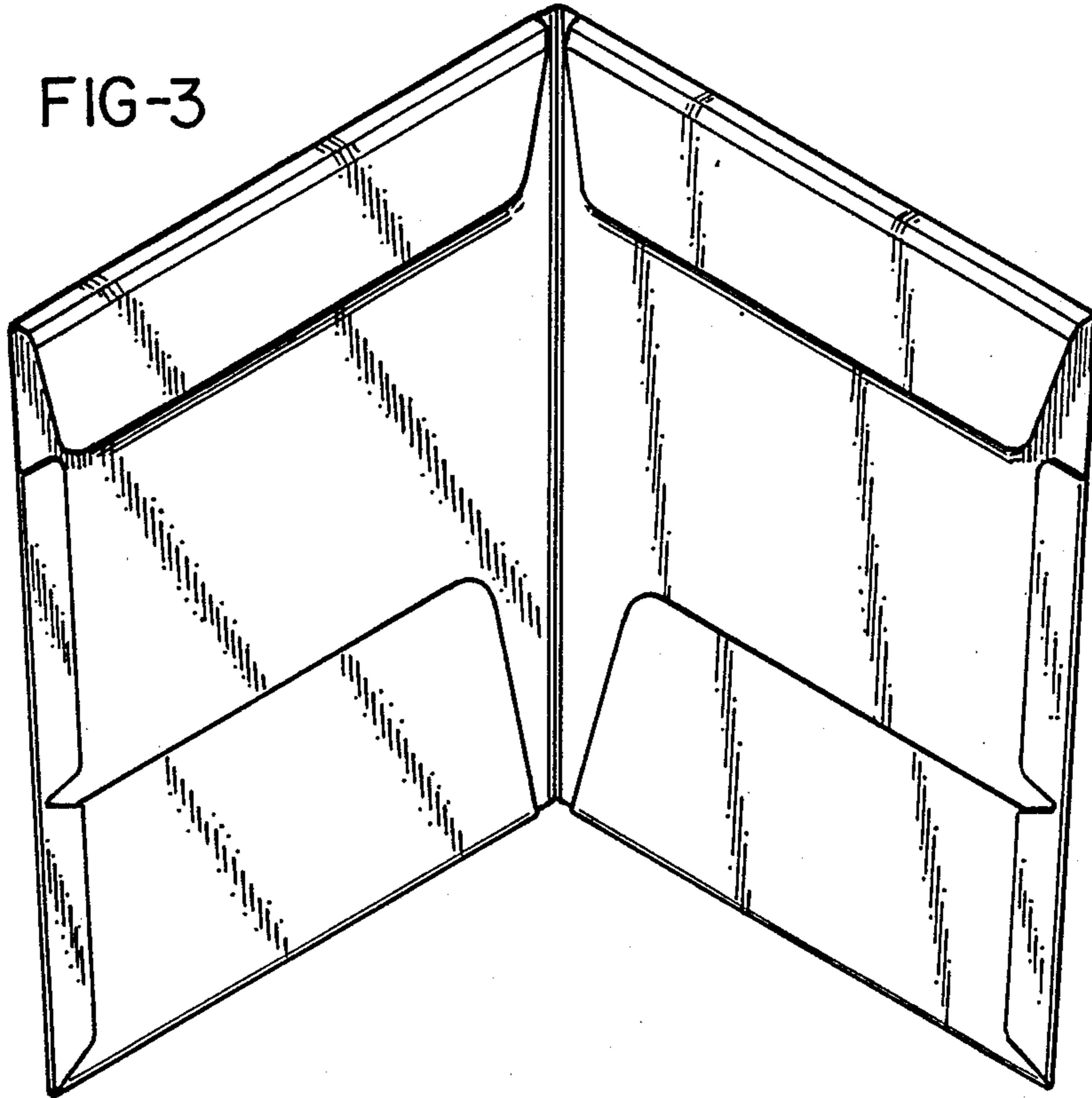


FIG-4

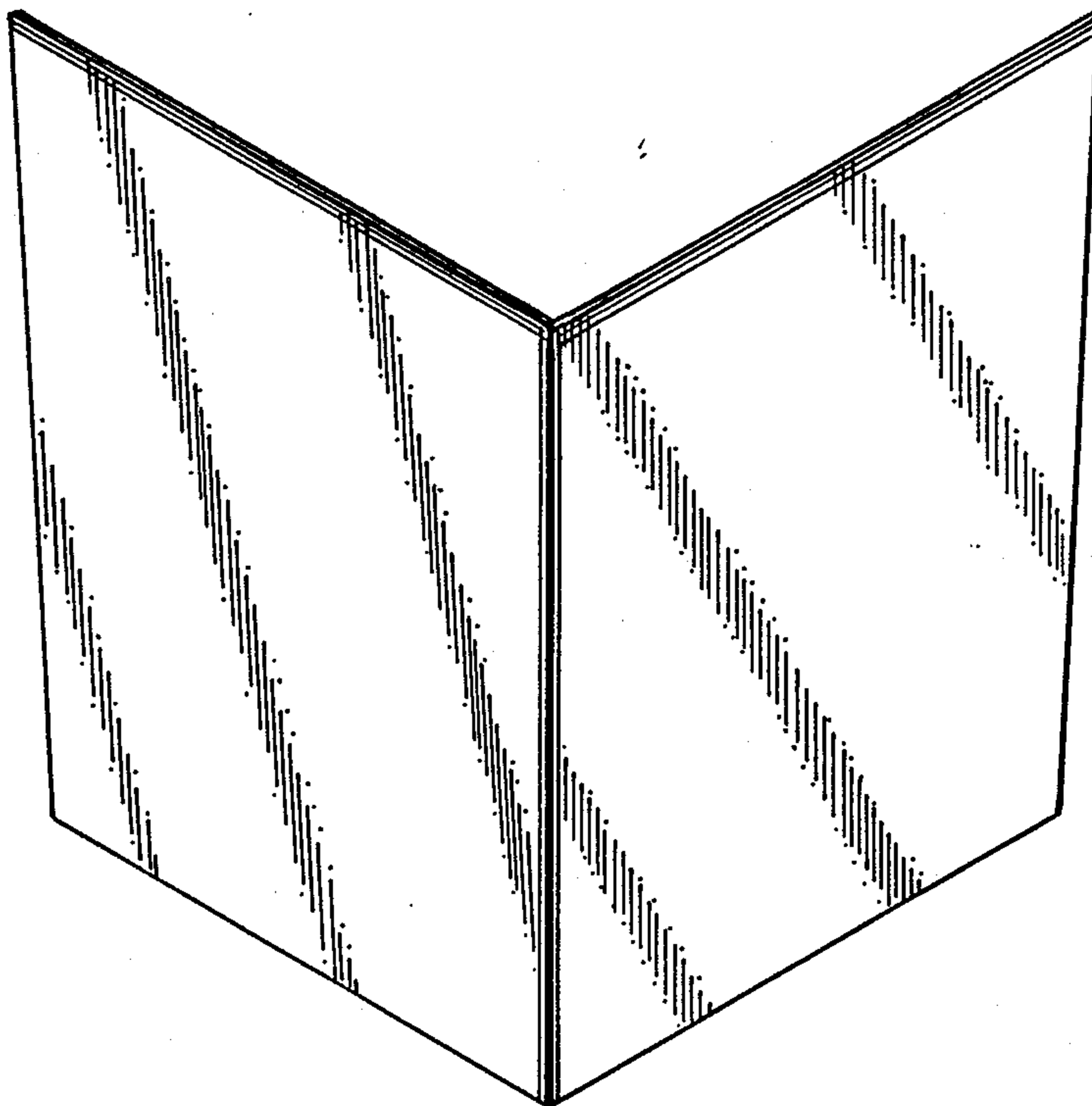


FIG-5

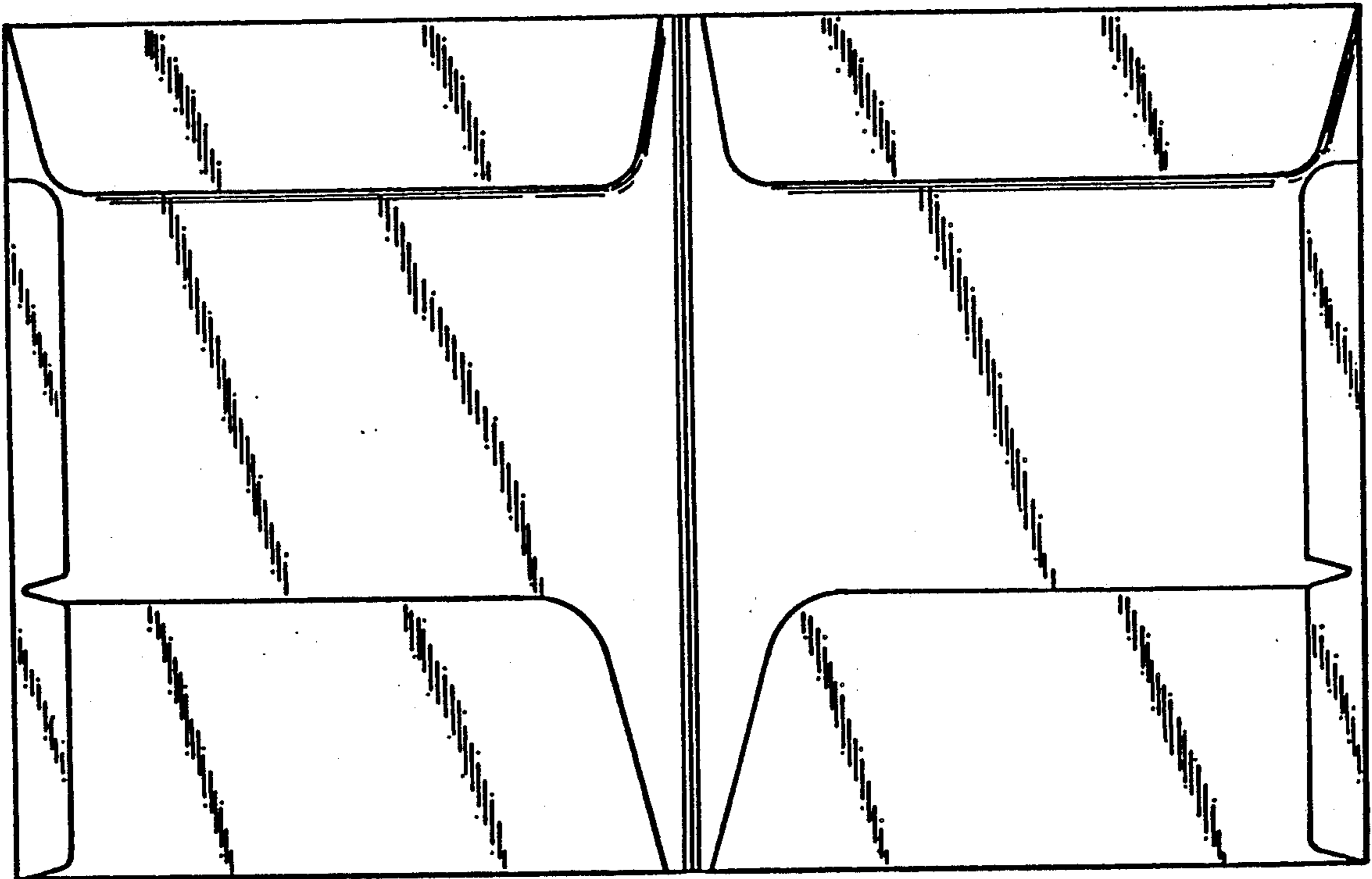


FIG-6

