

[54] DEVELOPING DEVICE FOR COPYING MACHINE

[75] Inventors: Yutaka Okayama, Tokyo; Takeshi Komada, Yokohama, both of Japan

[73] Assignee: Canon Kabushiki Kaisha, Tokyo, Japan

[**] Term: 14 Years

[21] Appl. No.: 279,135

[22] Filed: Dec. 2, 1988

[30] Foreign Application Priority Data

Jun. 6, 1988 [JP] Japan 63-22368
[52] U.S. Cl. D18/40
[58] Field of Search D18/40, 43; 355/245, 355/260

[56] References Cited

U.S. PATENT DOCUMENTS

D. 286,297 10/1986 Clowe et al. D18/43

D. 298,255 10/1988 Hirata D18/43
D. 298,336 11/1988 Masaki D18/43

FOREIGN PATENT DOCUMENTS

0255360 11/1986 Japan 355/260

Primary Examiner—Bruce W. Dunkins
Assistant Examiner—Caron D. Veynar
Attorney, Agent, or Firm—Fitzpatrick, Cella, Harper & Scinto

[57] CLAIM

The ornamental design for a developing device for copying machine, as shown and described.

DESCRIPTION

FIG. 1 is a right side elevational view of a developing device for copying machine showing our new design; FIG. 2 is a left side elevational view thereof; FIG. 3 is a top plan view thereof; FIG. 4 is a bottom plan view thereof; FIG. 5 is a front elevational view thereof; FIG. 6 is a rear elevational view thereof; FIG. 7 is a right front perspective view thereof.

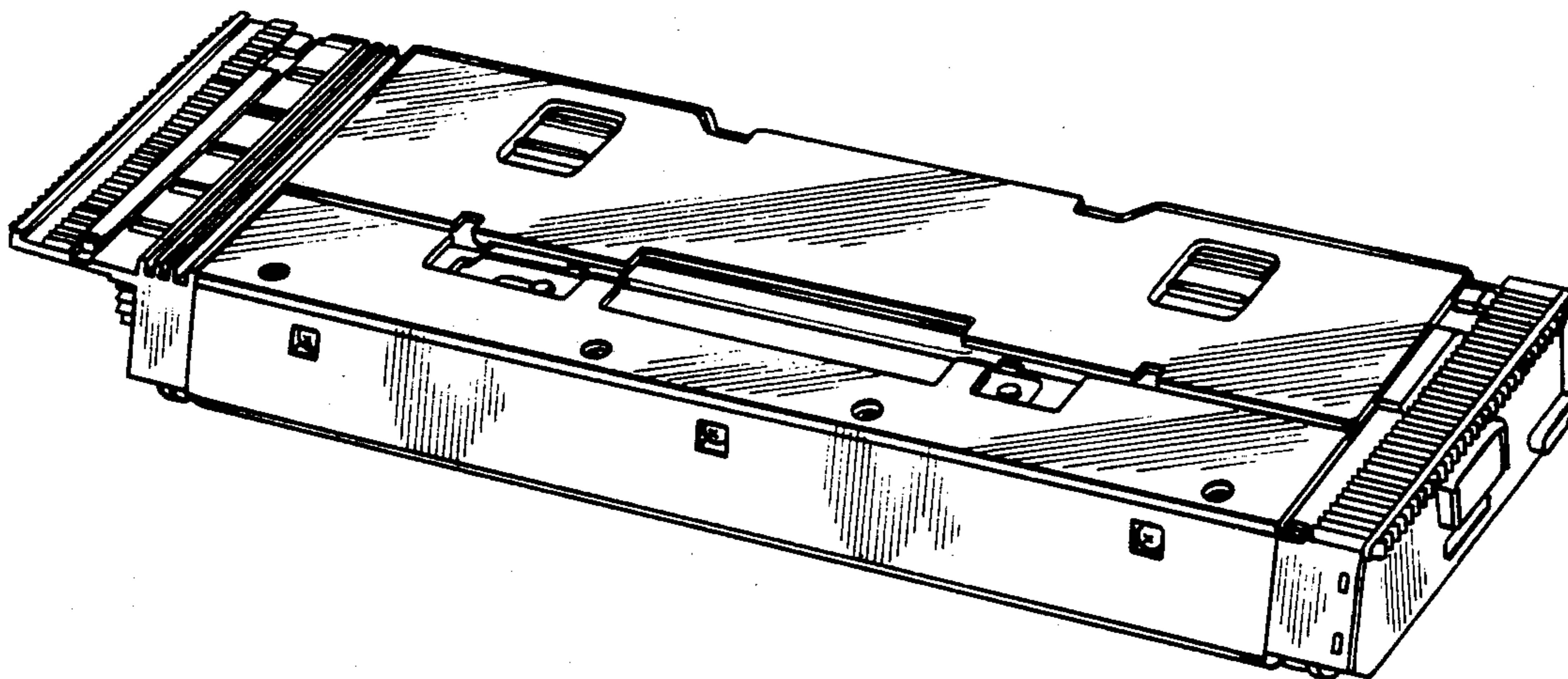


FIG. 1

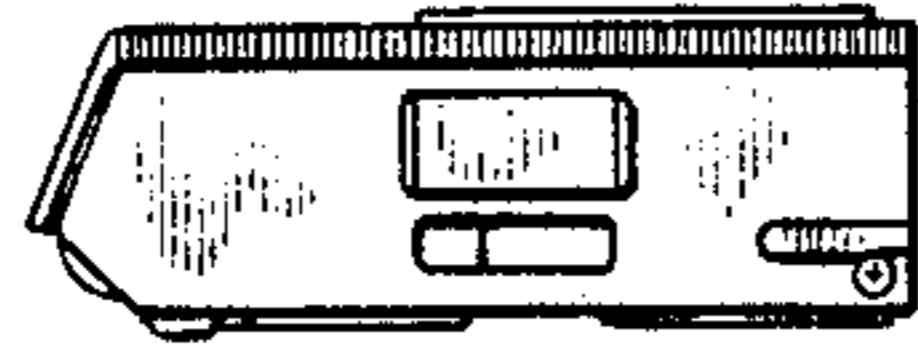


FIG. 2

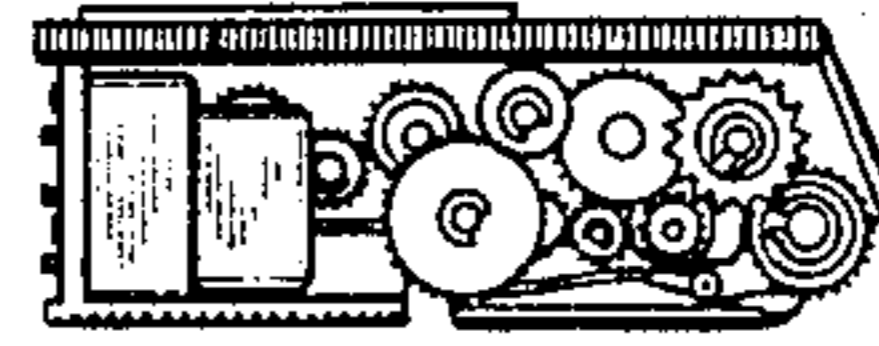


FIG. 3

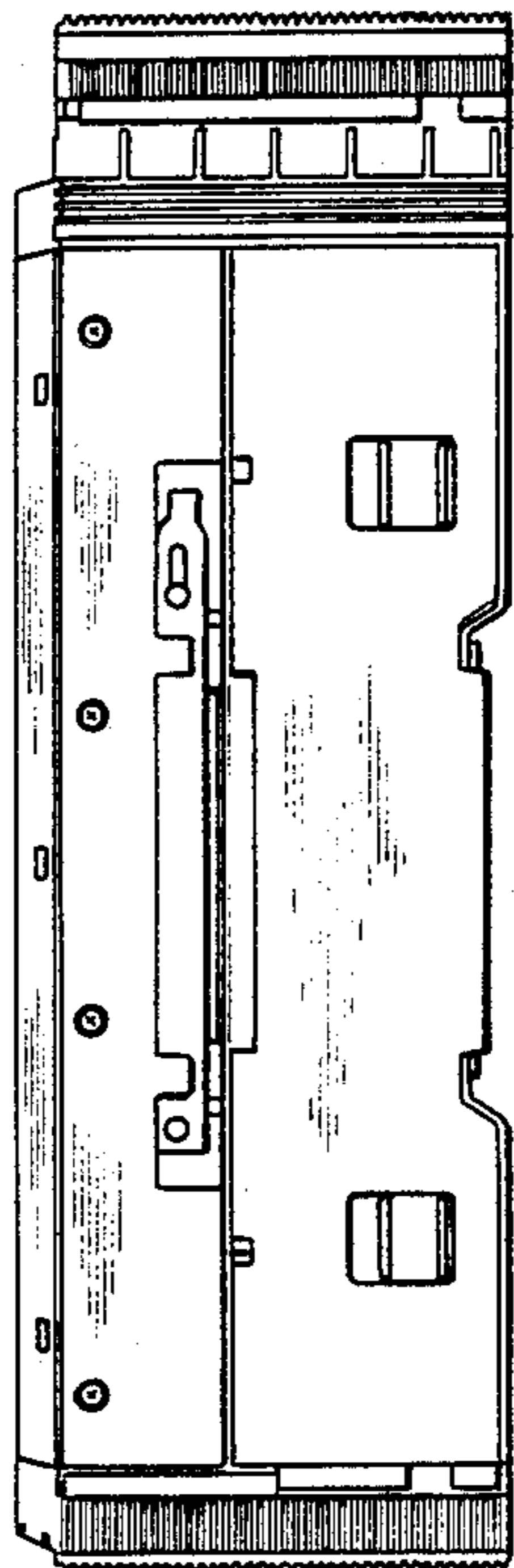


FIG. 4

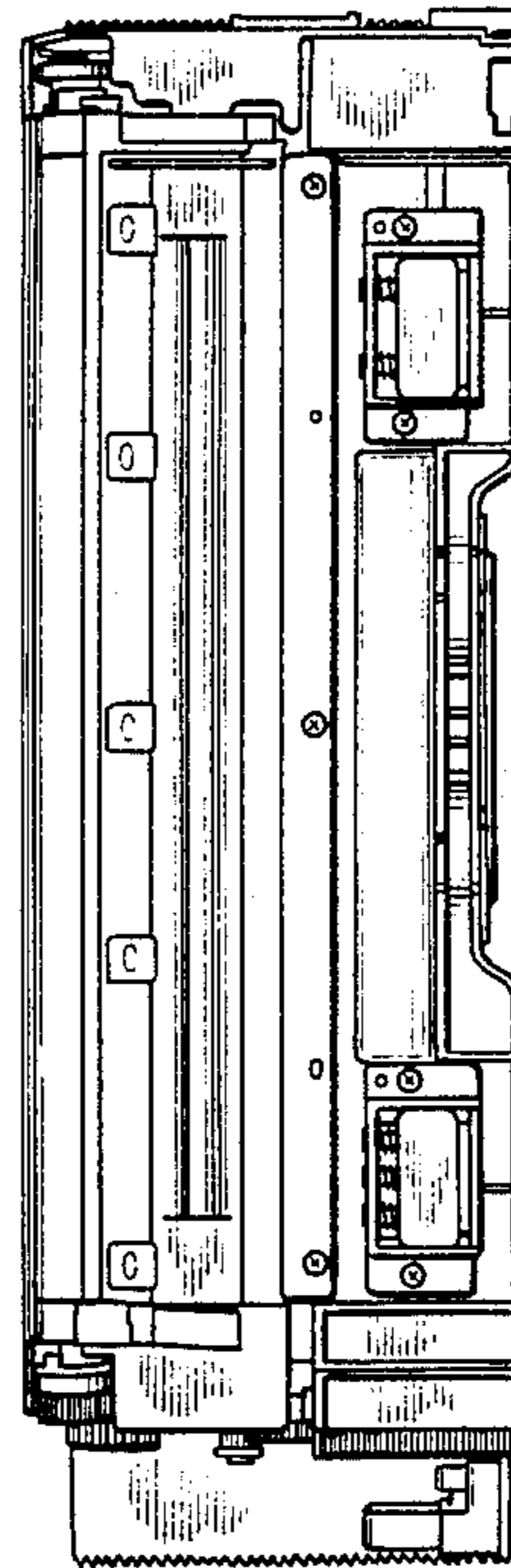


FIG. 5



FIG. 6



FIG. 7

