

[54] MINIATURE CAMERA

[75] Inventor: Kwok Y. Chan, North Point, Hong Kong

[73] Assignee: W. Haking Enterprises Limited, Hong Kong

[**] Term: 14 Years

[21] Appl. No.: 895,741

[22] Filed: Aug. 12, 1986

[52] U.S. Cl. D16/200

[58] Field of Search D16/200, 208, 209, 218, D16/219, 220; 354/83, 84, 85, 86, 149.11, 152, 173.1, 173.11, 288, 187

[56] References Cited

U.S. PATENT DOCUMENTS

D. 217,304	4/1970	Doblin	D16/218
D. 233,550	5/1972	Camuso	D16/218
D. 287,976	1/1987	Nakazawa et al.	D16/211
D. 295,526	5/1988	Baba	D16/218

3,605,591	9/1971	Rigolini et al.	D16/209
3,938,170	2/1976	Winkler et al.	354/187

Primary Examiner—Bernard Ansher
Assistant Examiner—Adir Aronovich
Attorney, Agent, or Firm—Wallenstein Wagner & Hattis, Ltd.

[57] CLAIM

The ornamental design for miniature camera, as shown and described.

DESCRIPTION

FIG. 1 is a perspective view of a miniature camera, showing my new design;
FIG. 2 is a front elevational view thereof;
FIG. 3 is a top plan view thereof;
FIG. 4 is a bottom plan view thereof;
FIG. 5 is a rear elevational view thereof;
FIG. 6 is a side elevational view thereof; and
FIG. 7 is an elevational view from the opposite side of FIG. 6.
The broken lines representing the film cartridge are shown for illustrative purposes only.

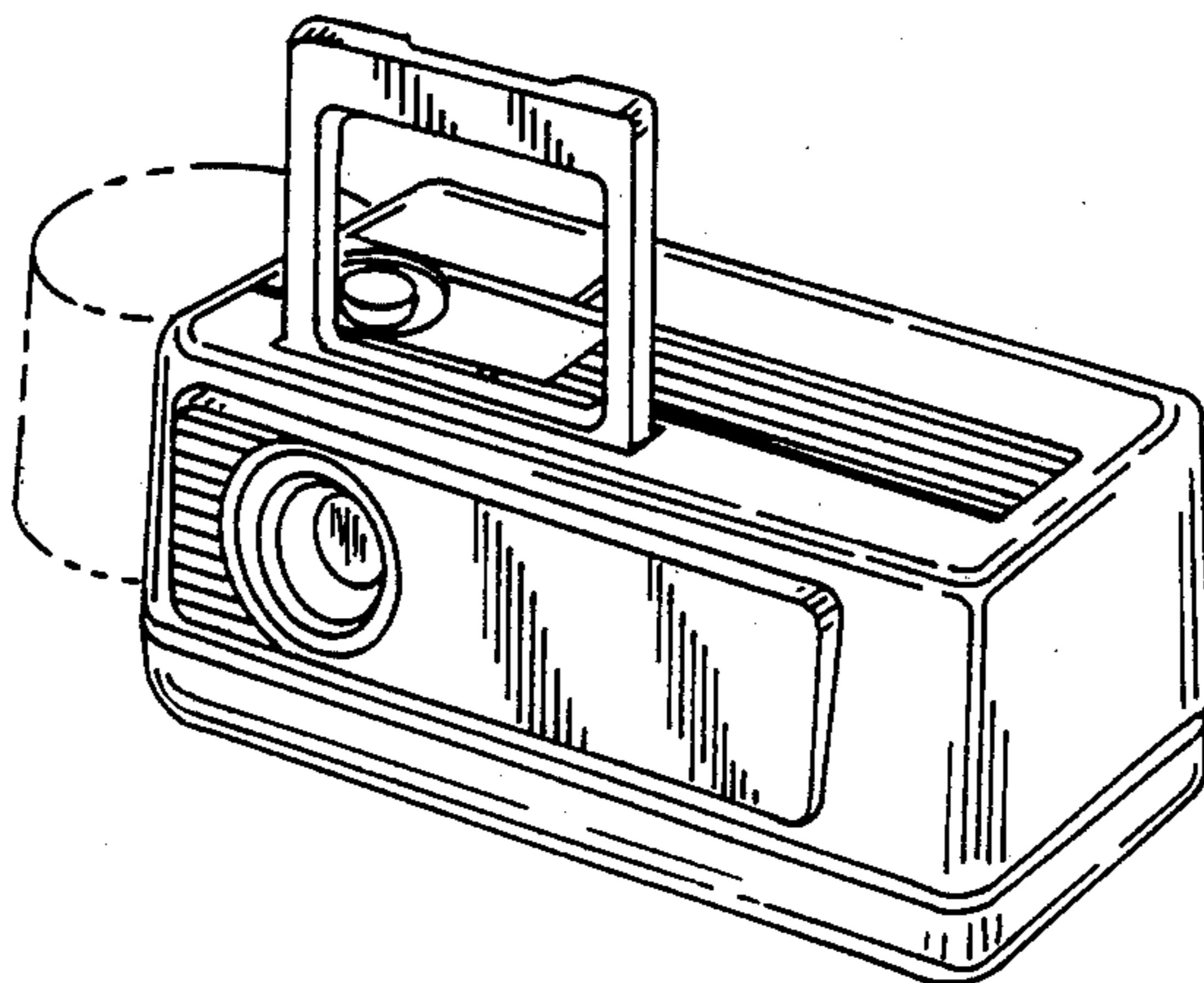


FIG-1-

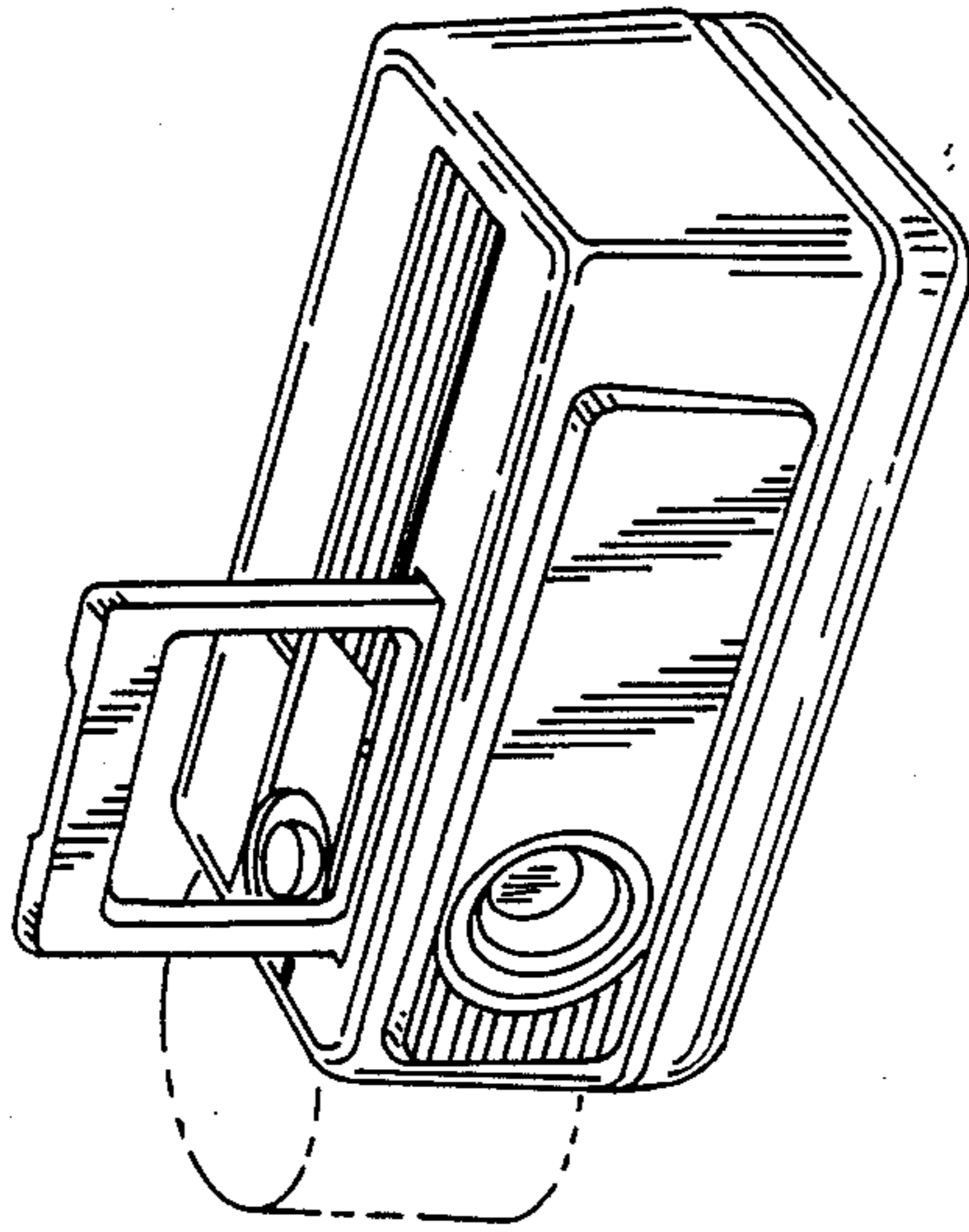


FIG-2-

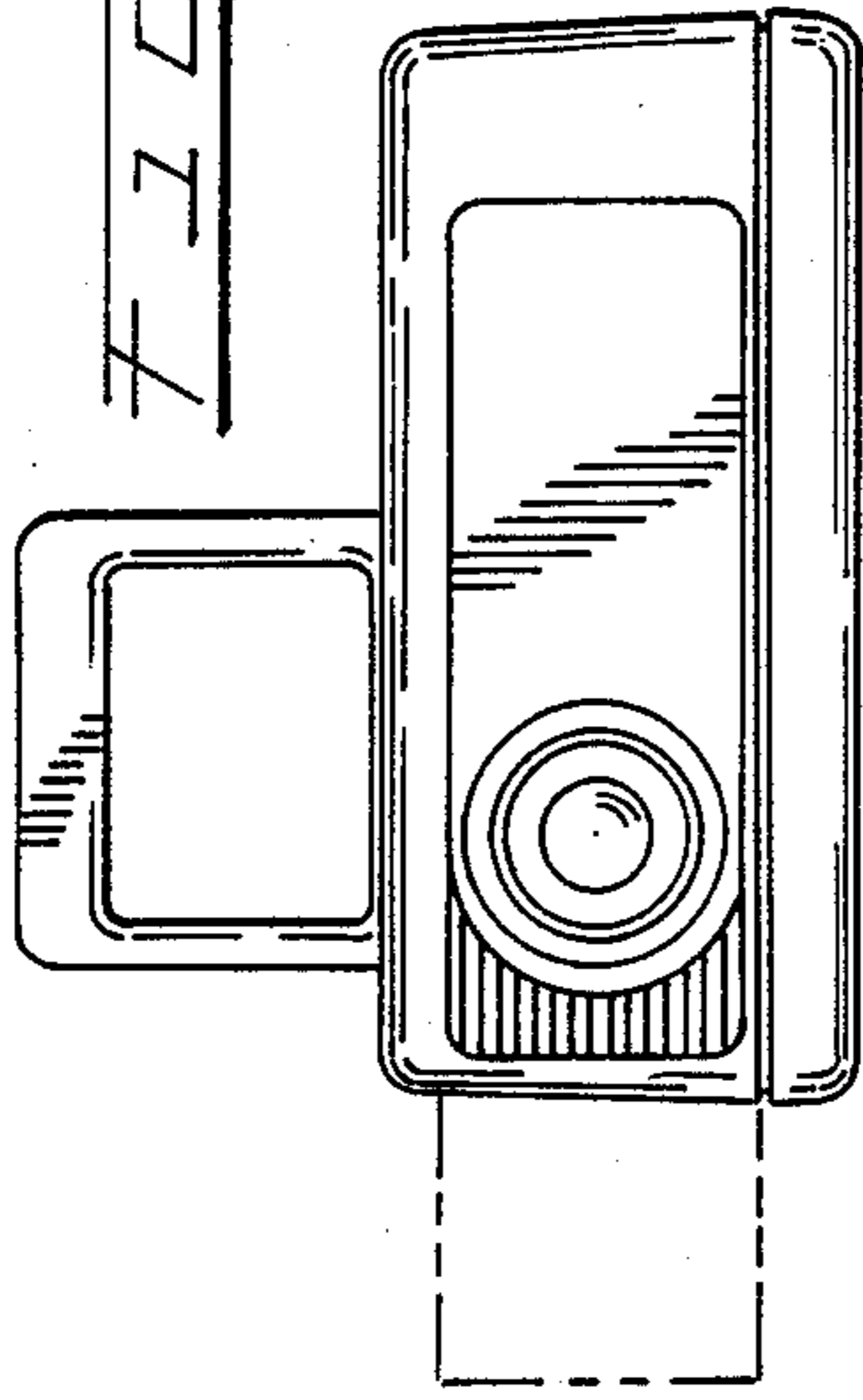


FIG-4-

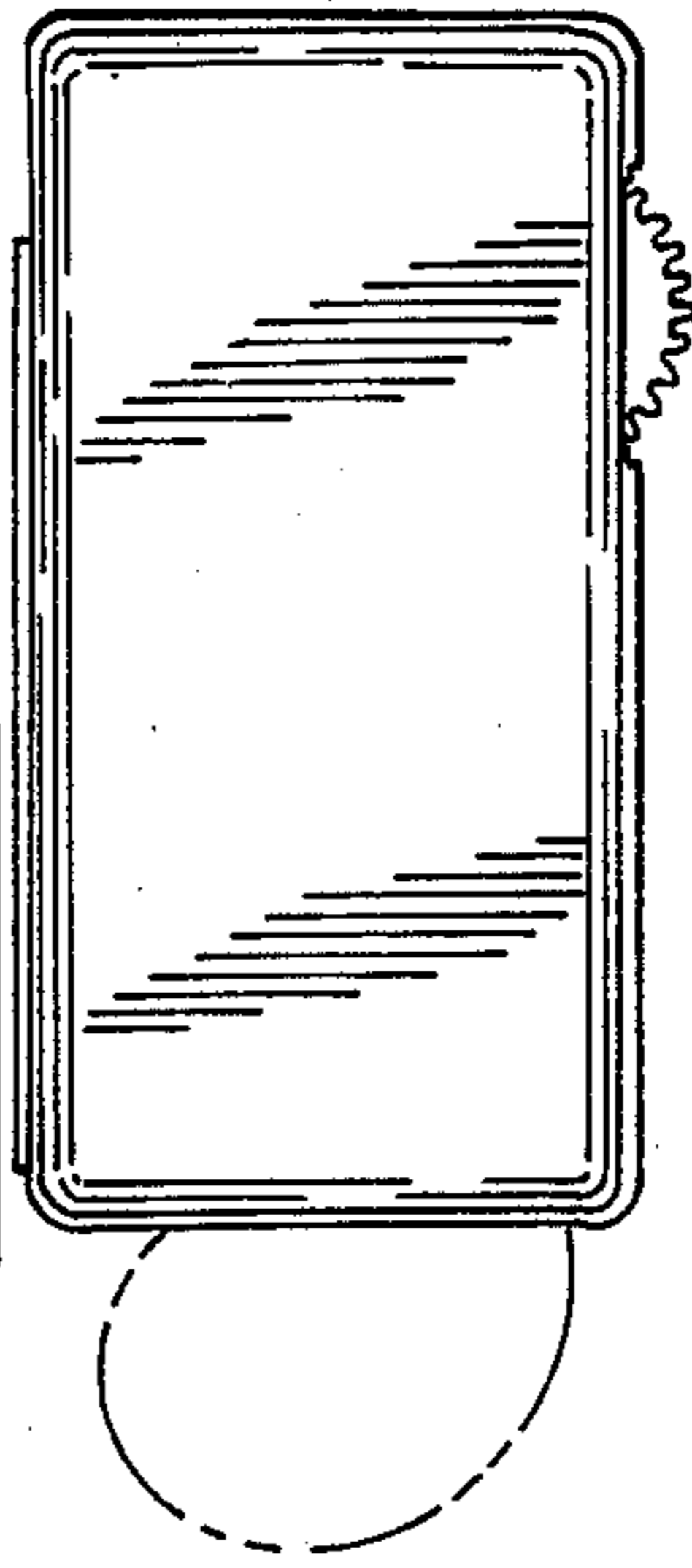


FIG-3-

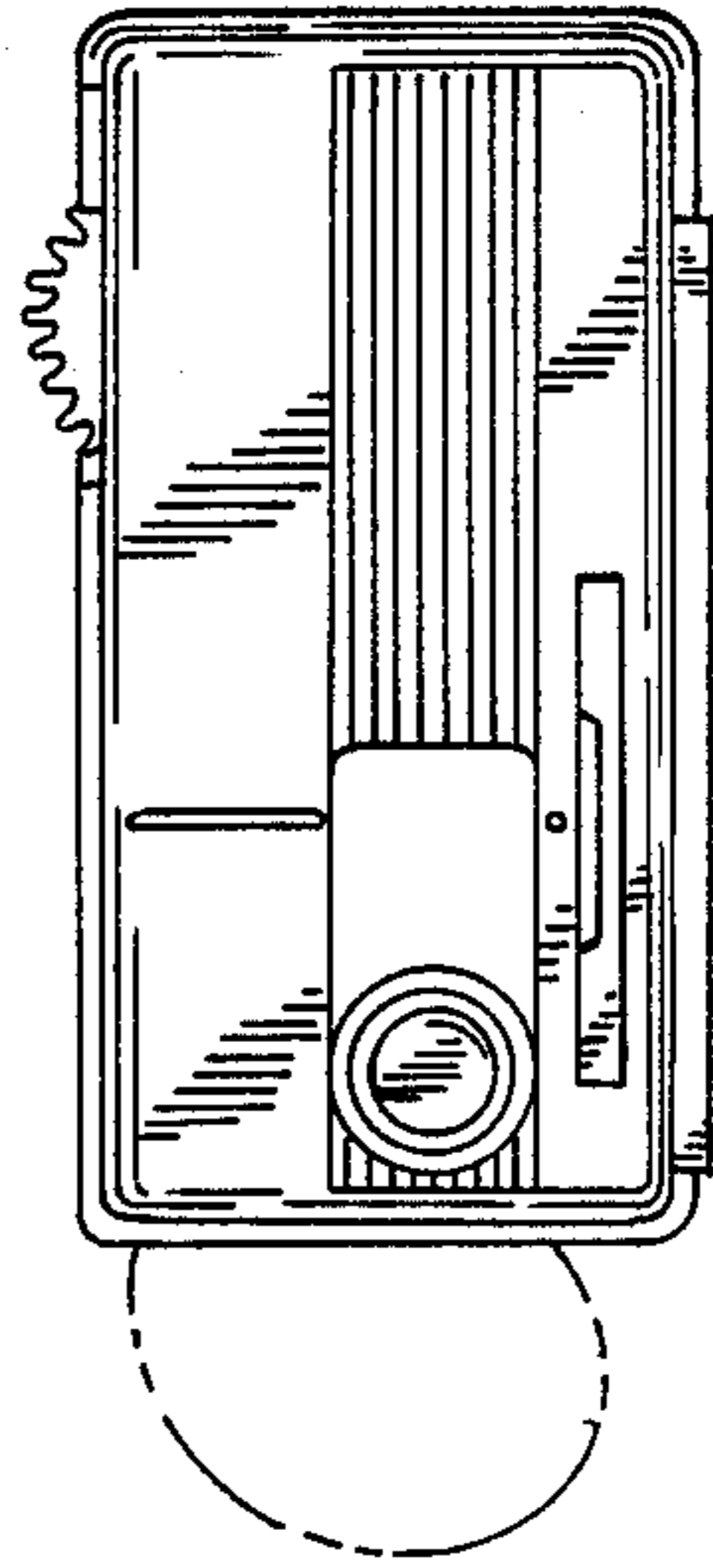


FIG-5-

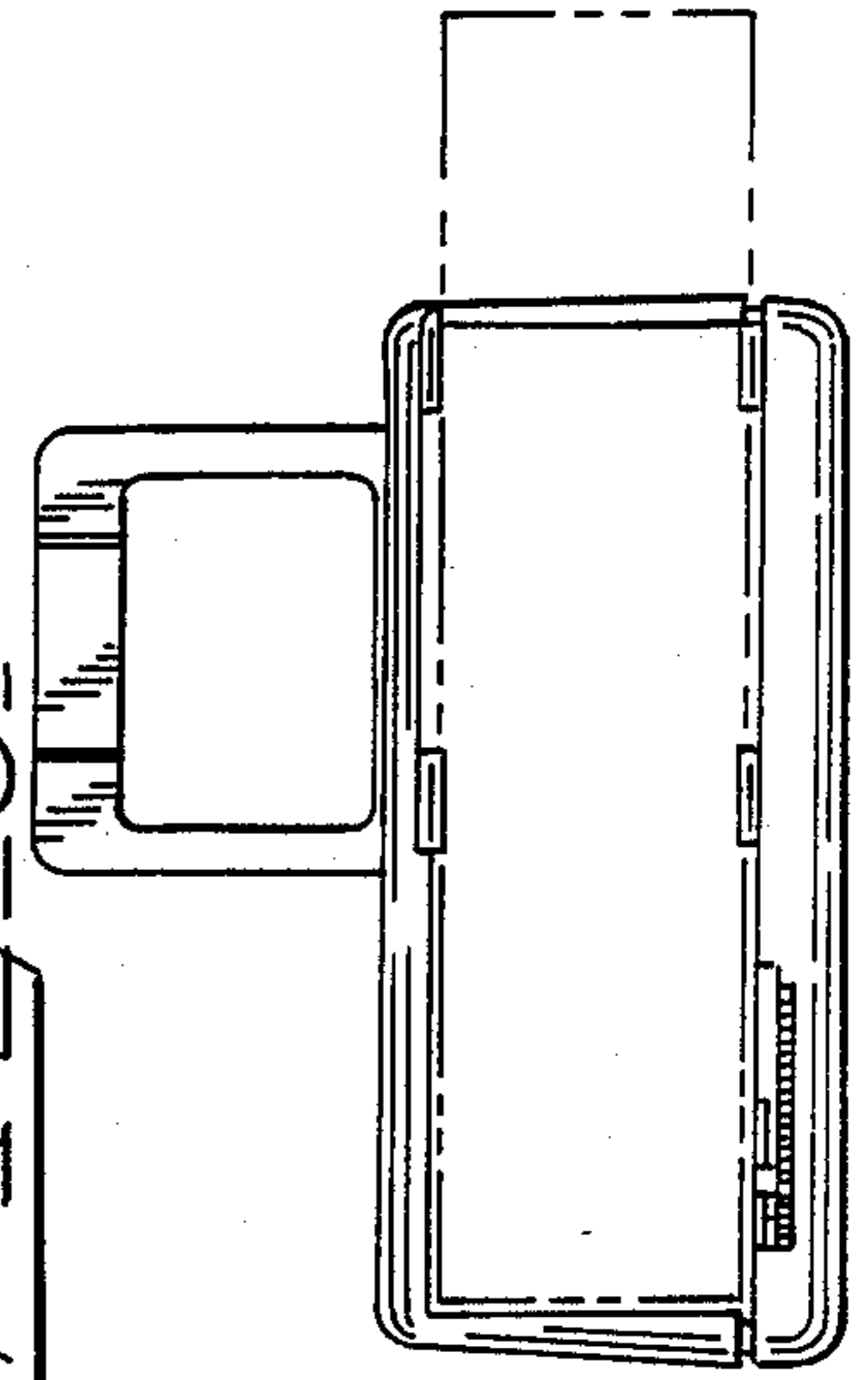


FIG-6-

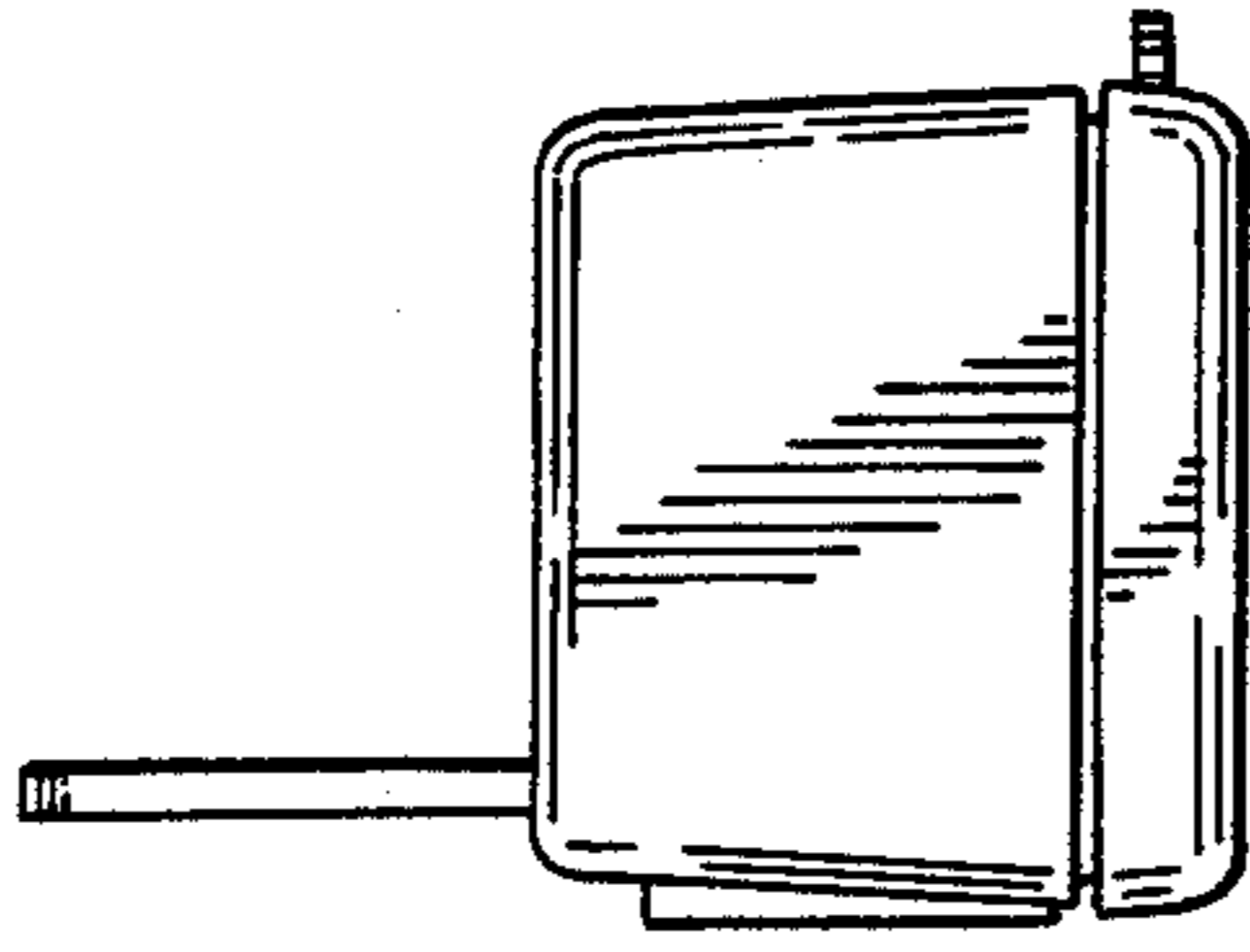


FIG-7-

