

[54] **INVERTED MICROSCOPE**

[75] Inventor: Paul A. Hoogesteger, Penfield, N.Y.

[73] Assignee: Cambridge Instruments, Inc., Buffalo, N.Y.

[**] Term: 14 Years

[21] Appl. No.: 17,294

[22] Filed: Feb. 20, 1987

[52] U.S. Cl. D16/131

[58] Field of Search D16/131; 350/530, 531, 350/511, 507, 514-516, 519, 526; 354/79

[56] **References Cited**

U.S. PATENT DOCUMENTS

D. 265,206 6/1982 Weber et al. D16/131

D. 276,351 11/1984 Janke et al. D16/131
4,210,384 7/1980 Meyer et al. 350/502

Primary Examiner—A. Hugo Word
Assistant Examiner—Stella M. Reid
Attorney, Agent, or Firm—Bean, Kauffman & Spencer

[57] **CLAIM**

The ornamental design for an inverted microscope, as shown and described.

DESCRIPTION

FIG. 1 is a right front perspective view of an inverted microscope showing my new design;
FIG. 2 is a left front perspective view thereof;
FIG. 3 is a left side elevated view thereof;
FIG. 4 is a right side elevated view thereof; and
FIG. 5 is a rear elevated view thereof.

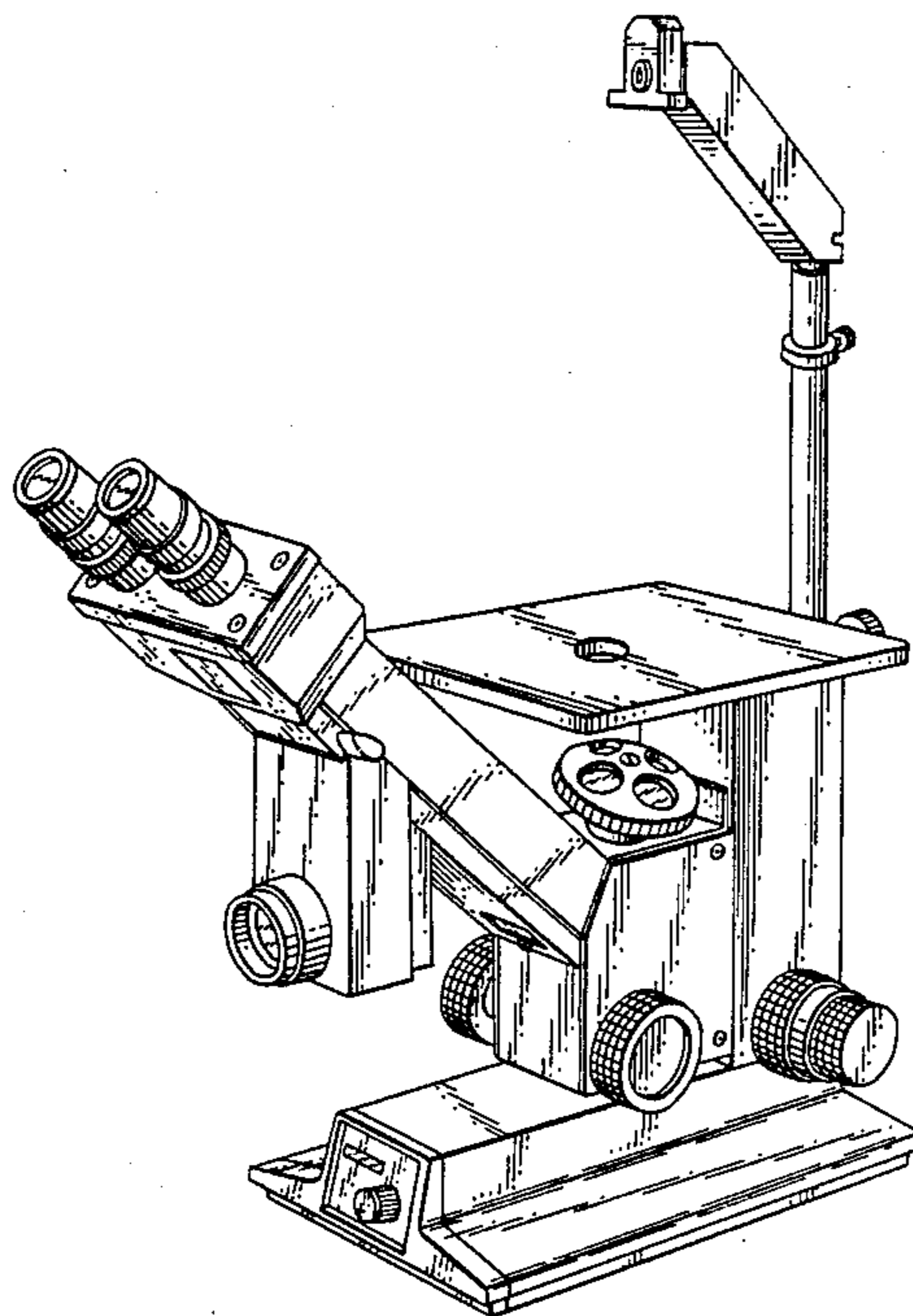


Fig. 1.

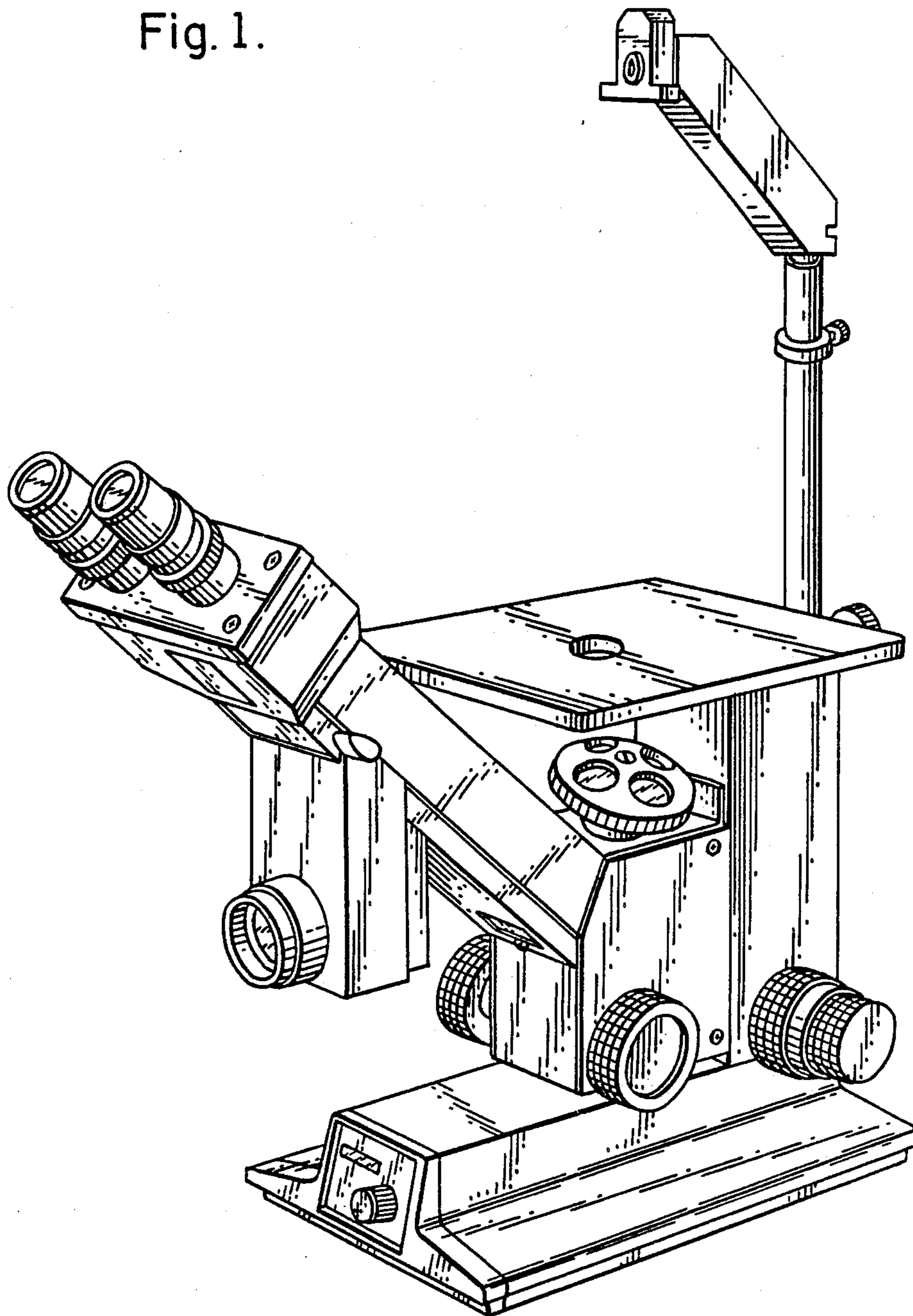


Fig. 2.

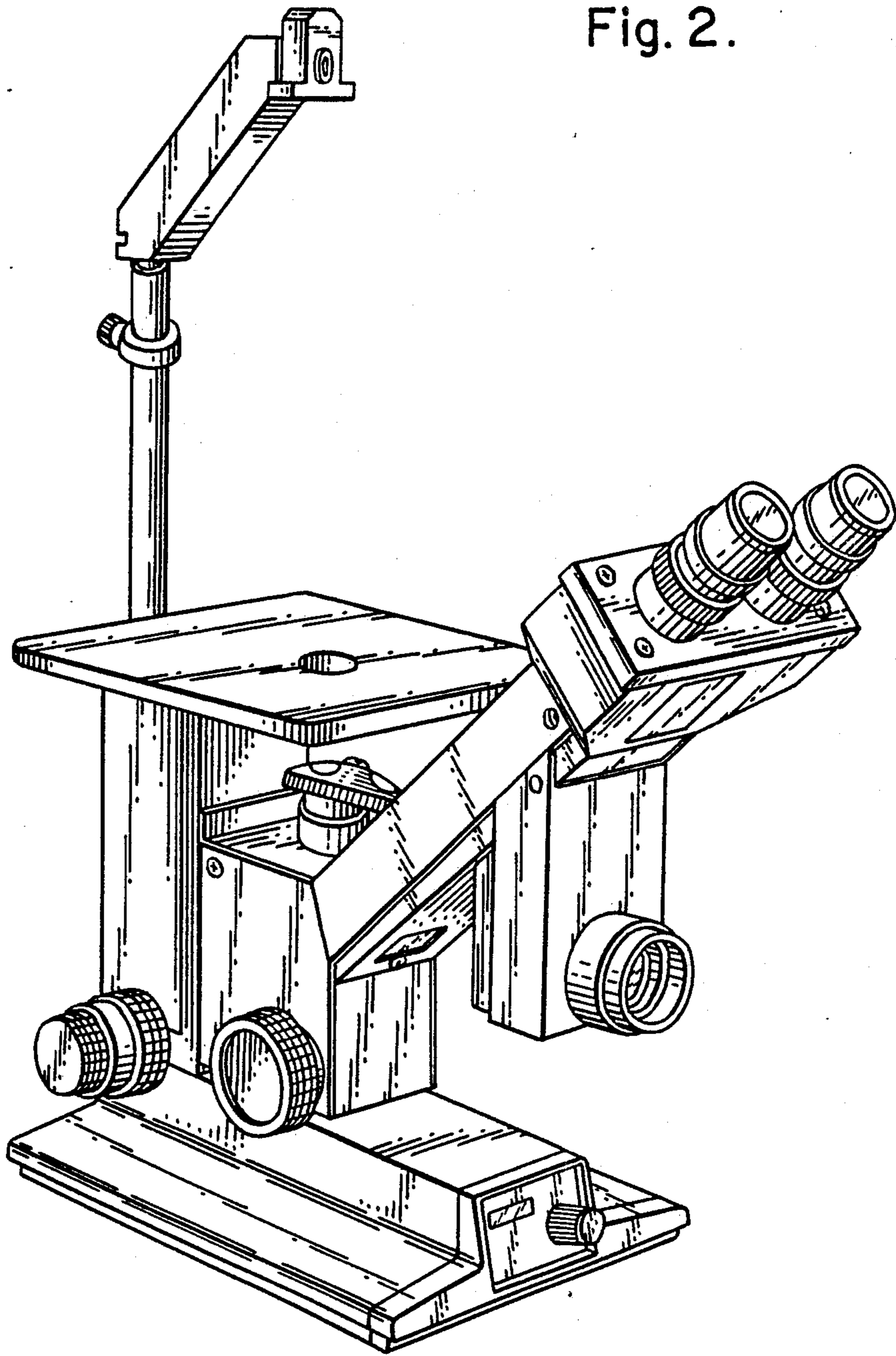


Fig. 3.

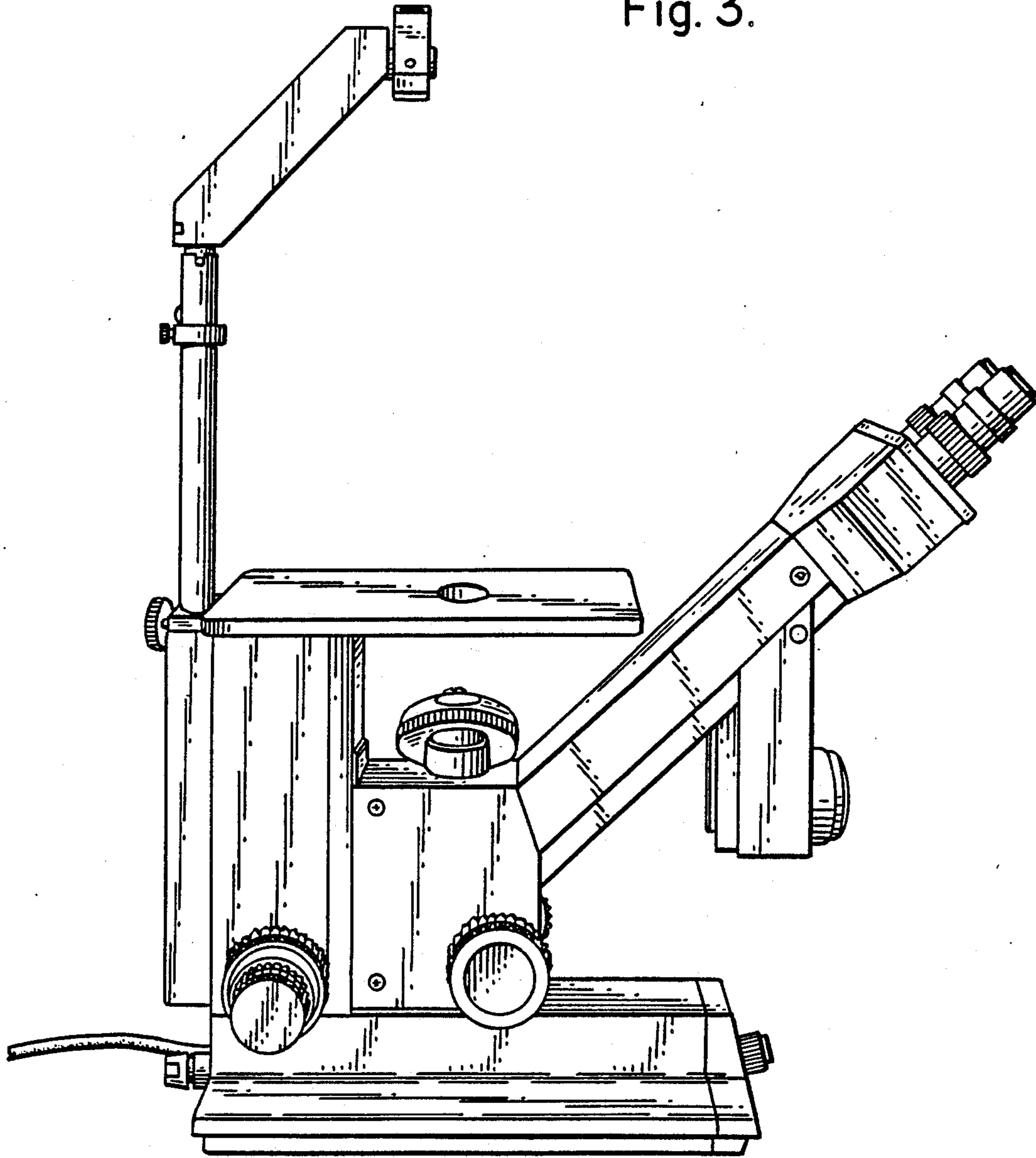


Fig. 4.

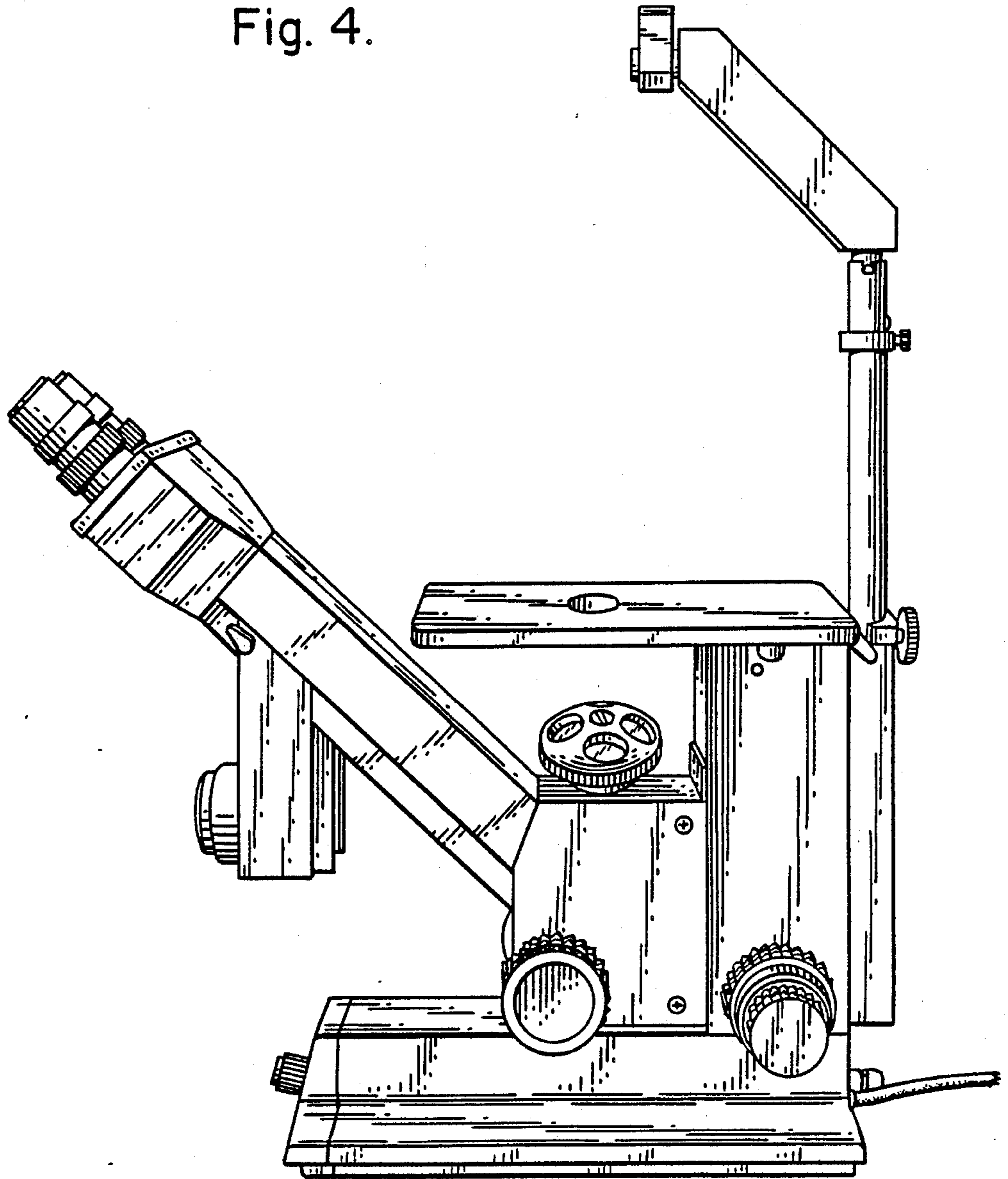


Fig. 5.

