

[54] COMBINED ORNAMENTAL PIN AND LORGNETTE

[76] Inventor: Donna J. Piper, 2700 N. Sixth St., Harrisburg, Pa. 17110

[\*\*] Term: 14 Years

[21] Appl. No.: 144,076

[22] Filed: Jan. 15, 1988

[52] U.S. Cl. .... D16/105; D11/58; D16/112; D16/129

[58] Field of Search ..... D16/102-122, D16/125-127; 351/41, 44-49, 51-53, 56-59, 60, 63, 65, 70, 83, 85, 87, 90, 103, 110; 2/12, 14, 15; D11/206, 57, 58

[56] References Cited

U.S. PATENT DOCUMENTS

- D. 206,291 11/1966 Nordhoff ..... D16/105
- D. 243,844 3/1977 Petschnikoff ..... D16/105
- 1,035,853 8/1912 Briggs ..... D16/105 X

1,517,685 12/1924 Searles ..... D16/105 X

OTHER PUBLICATIONS

"Accessories", Oct. 1986, p. 25, Renault ad. copy in Spectacles boxes.

Primary Examiner—Bruce W. Dunkins

Assistant Examiner—Clare E. Heflin

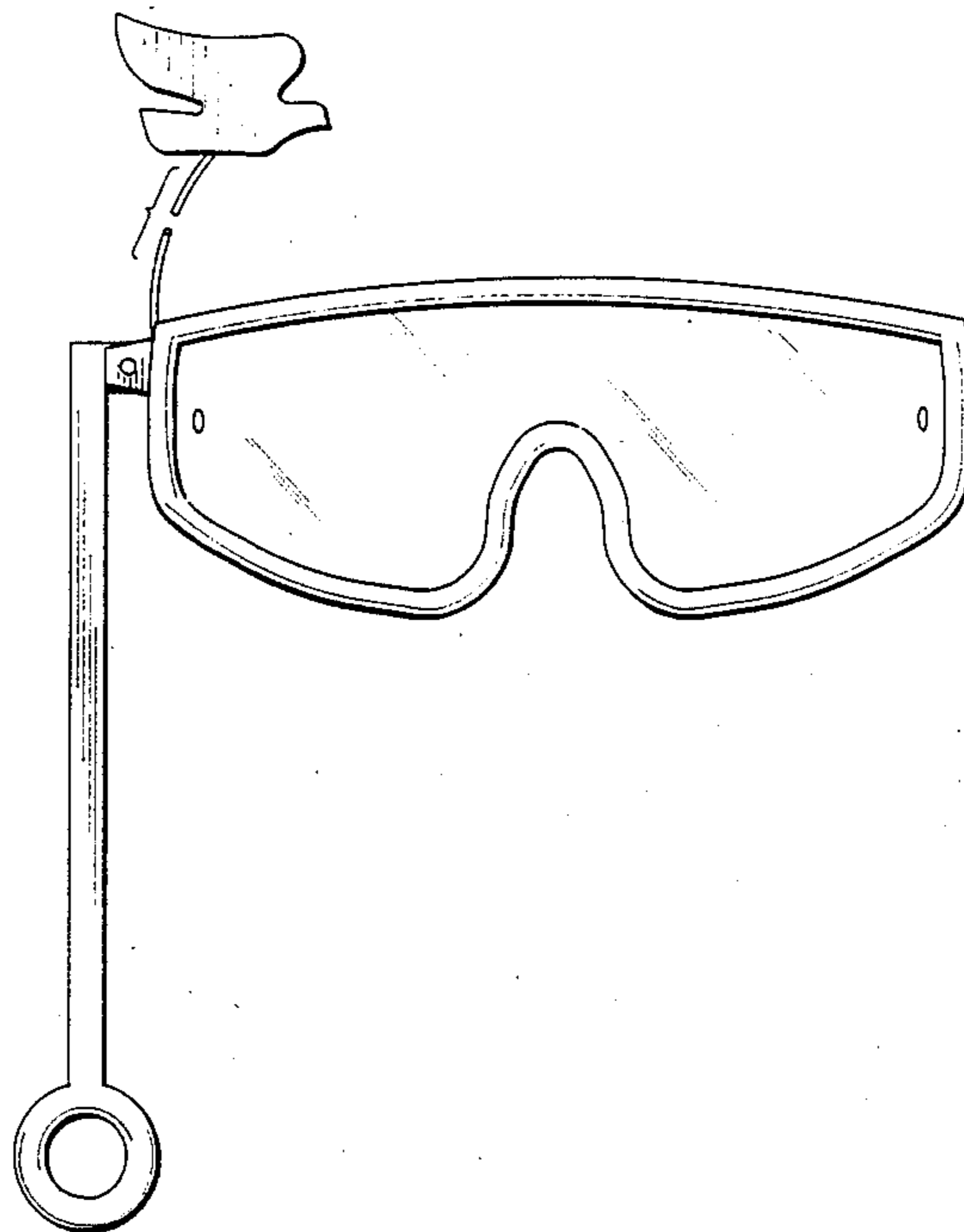
Attorney, Agent, or Firm—Jerry T. Kearns

[57] CLAIM

The ornamental design for a combined ornamental pin and lorgnette, as shown and described.

DESCRIPTION

FIG. 1 is a front elevational view of a combined ornamental pin and lorgnette showing my new design; FIG. 2 is a rear elevational view thereof; FIG. 3 is a left side elevational view thereof; FIG. 4 is a right side elevational view thereof; FIG. 5 is a top plan view thereof; and, FIG. 6 is a bottom plan view thereof.



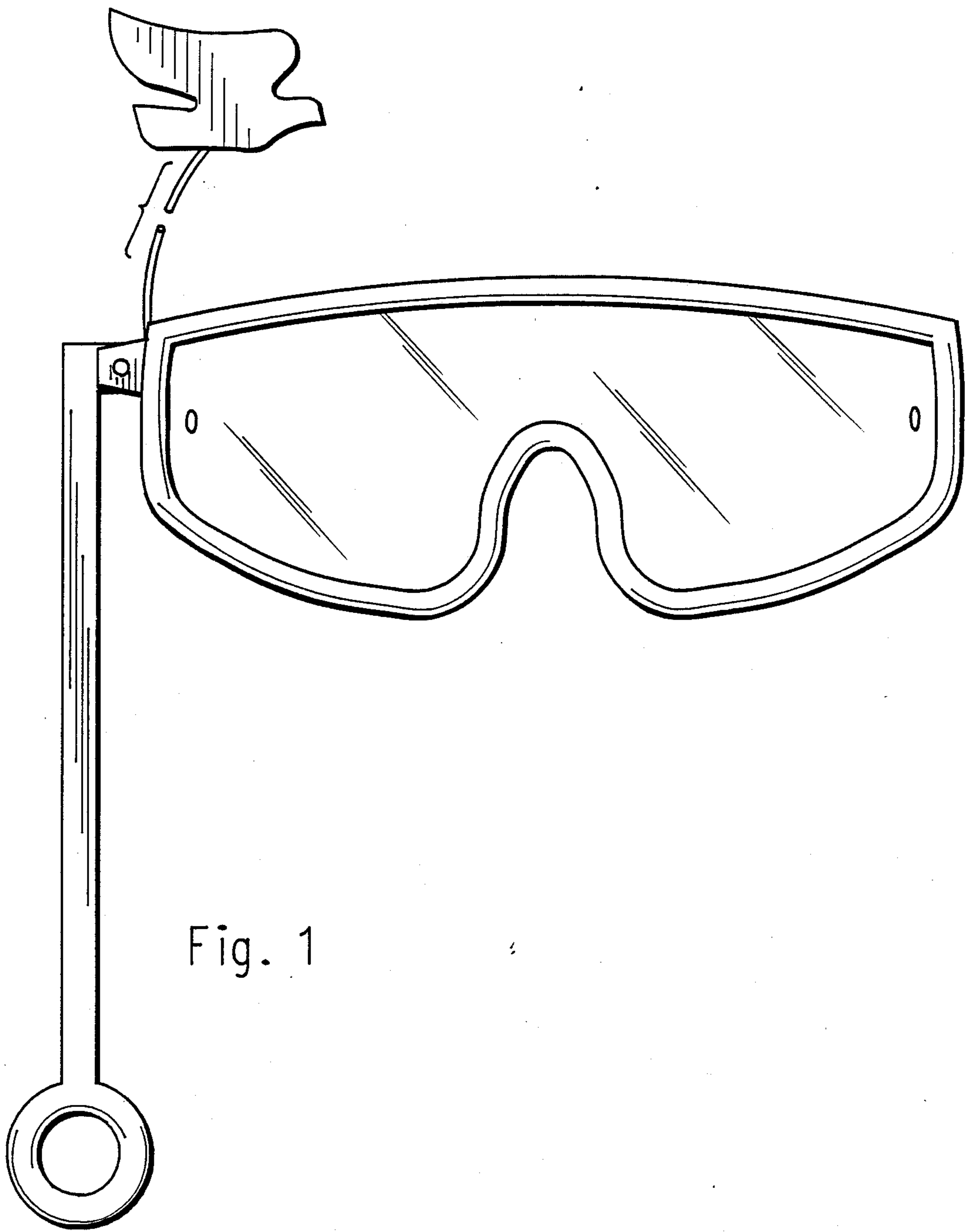


Fig. 1

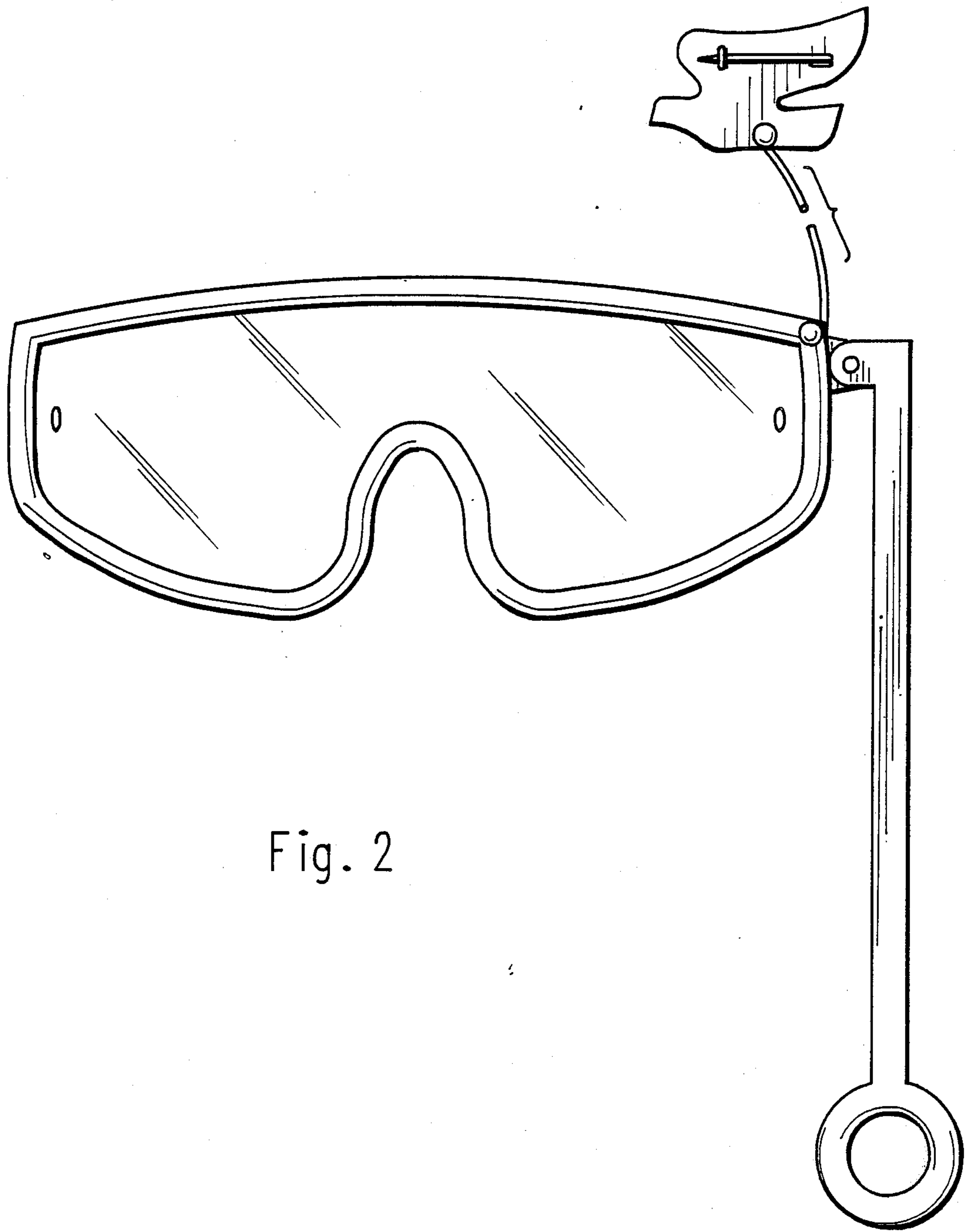


Fig. 2

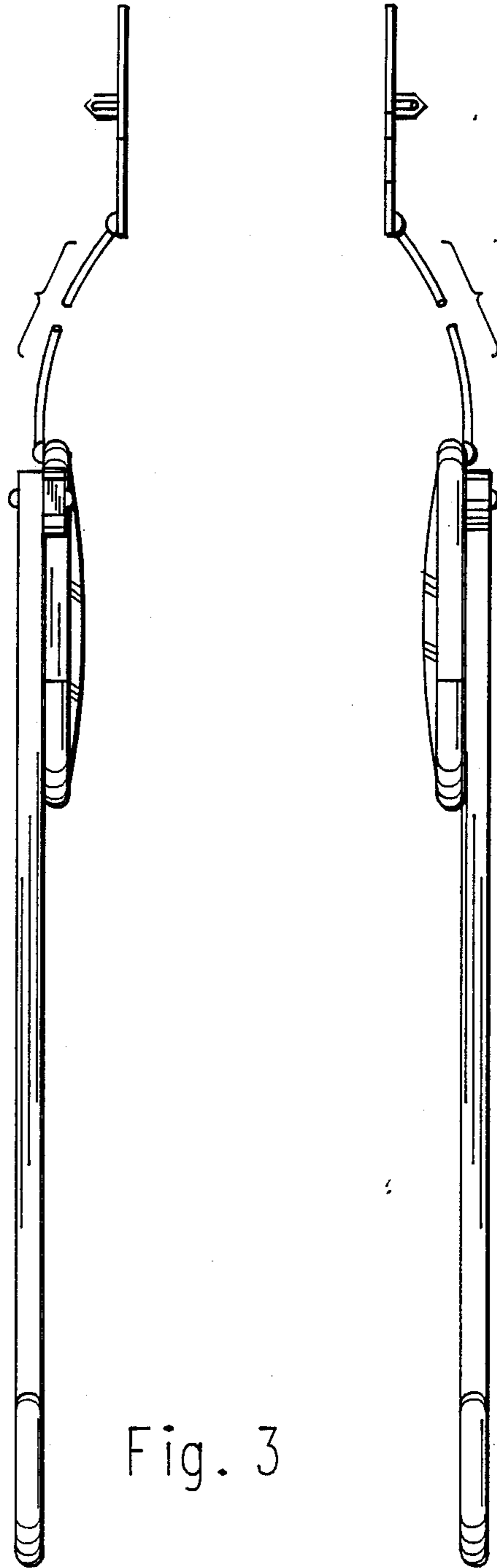


Fig. 3

Fig. 4

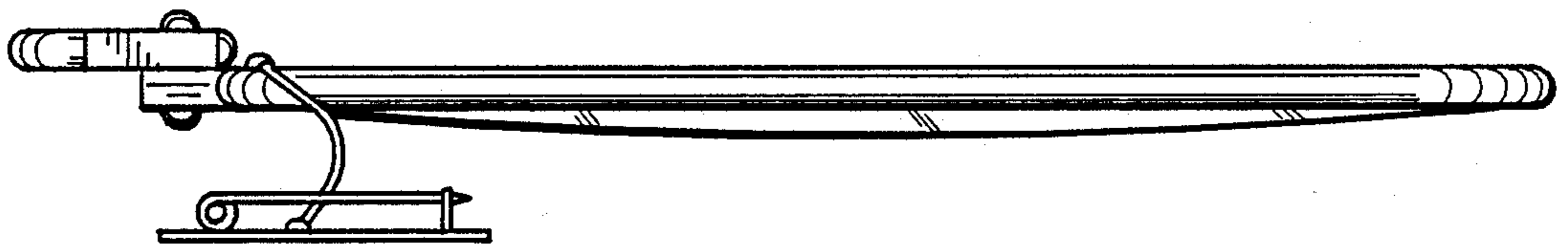


Fig. 5

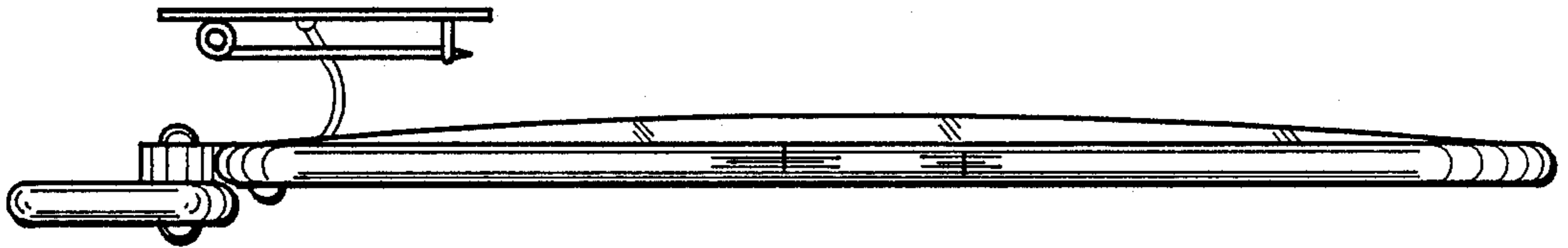


Fig. 6