

[54] JAW CONNECTOR

[76] Inventor: Jimmy Hsieh, No. 65, Chung Ching N. Road, Sec. 3, Taipei, Taiwan, R.O.C., Taiwan

[\*\*] Term: 14 Years

[21] Appl. No.: 133,872

[22] Filed: Dec. 16, 1987

[52] U.S. Cl. .... D15/138; D15/140

[58] Field of Search ..... D15/132, 130, 138, 140, D15/131; 33/558.01, 556, 636, 637, 638, 639; 248/284, 282, 278

3,625,084 12/1971 Low ..... 248/278 X  
3,838,521 10/1974 Peterson ..... 33/636  
4,592,526 6/1986 Kobelt ..... 248/278

Primary Examiner—Nelson C. Holtje  
Assistant Examiner—Jeffery Asch  
Attorney, Agent, or Firm—Notaro & Michalos

[57] CLAIM

The ornamental design for a jaw connector, as shown and described.

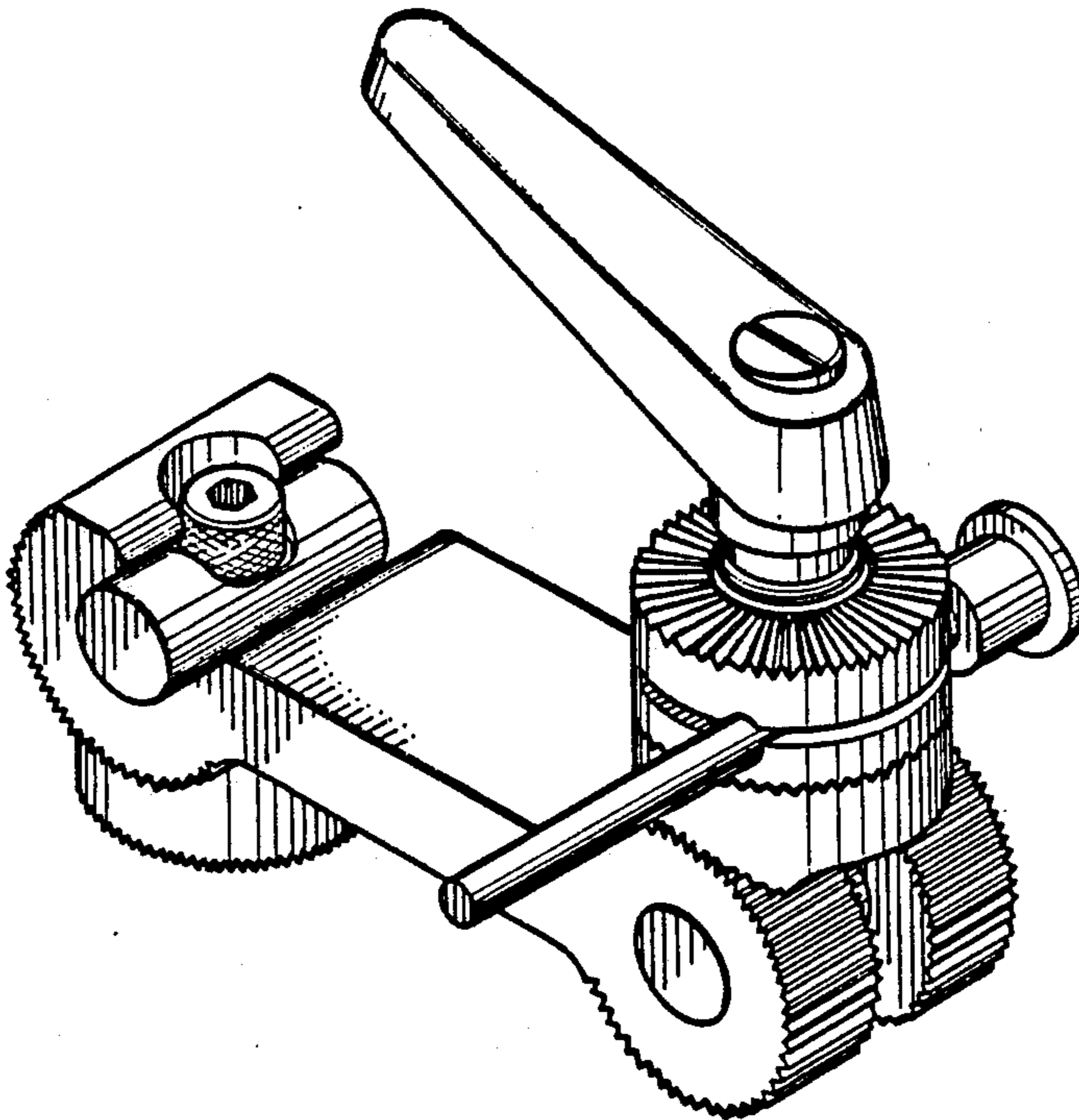
DESCRIPTION

FIG. 1 is a perspective elevational view of a jaw connector, showing my new design;  
FIG. 2 is a front elevational view thereof;  
FIG. 3 is a rear elevational view thereof;  
FIG. 4 is a left side elevational view thereof;  
FIG. 5 is a right side elevational view thereof;  
FIG. 6 is a top plan view thereof; and  
FIG. 7 is a bottom plan view thereof.

[56] References Cited

U.S. PATENT DOCUMENTS

D. 184,561 3/1959 Dickinson ..... D15/138  
D. 206,726 1/1967 Papp ..... D15/130  
D. 267,095 11/1982 Cook ..... D15/138 X  
3,018,994 1/1962 Kaye ..... 248/278



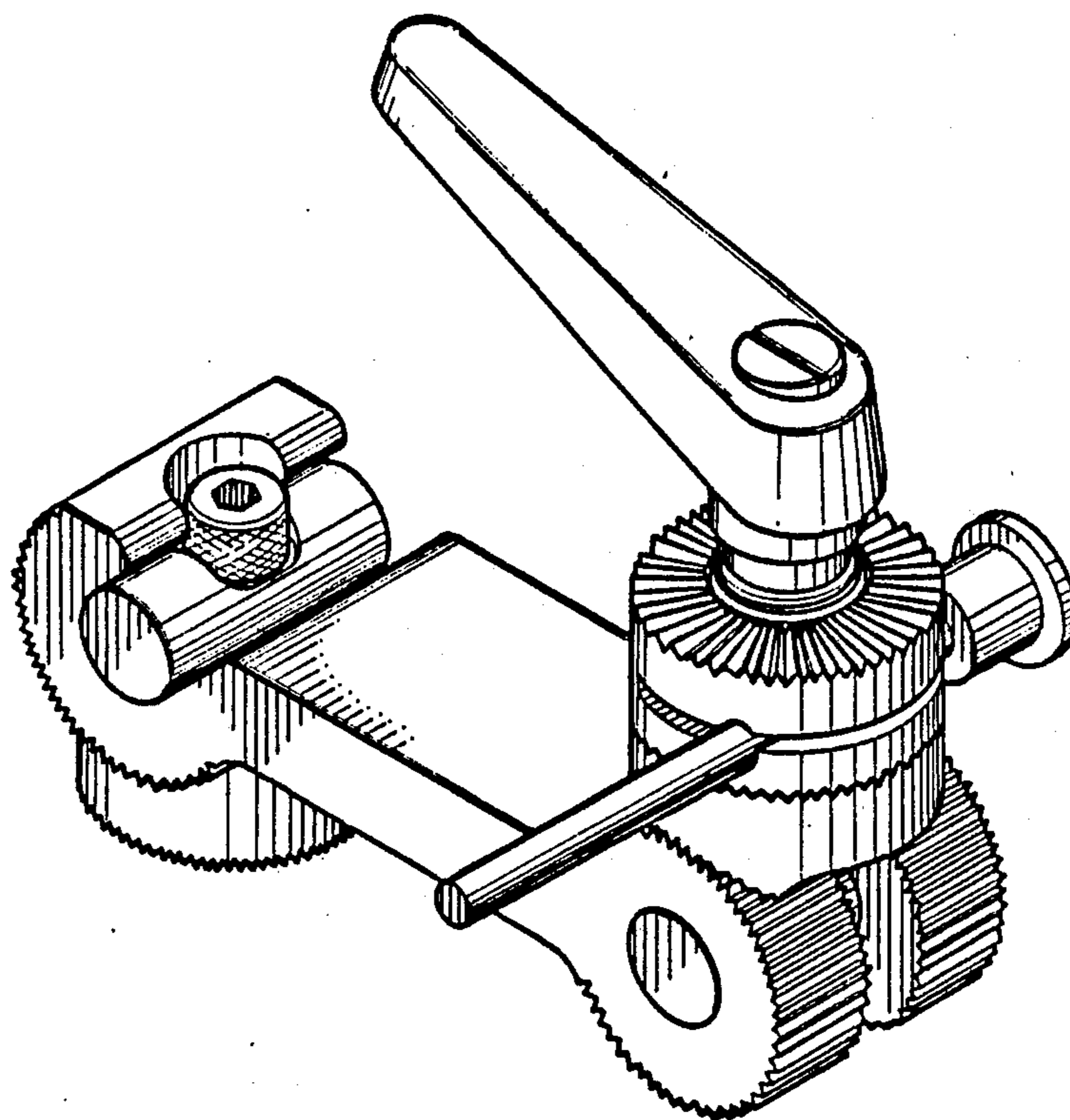


FIG. 1

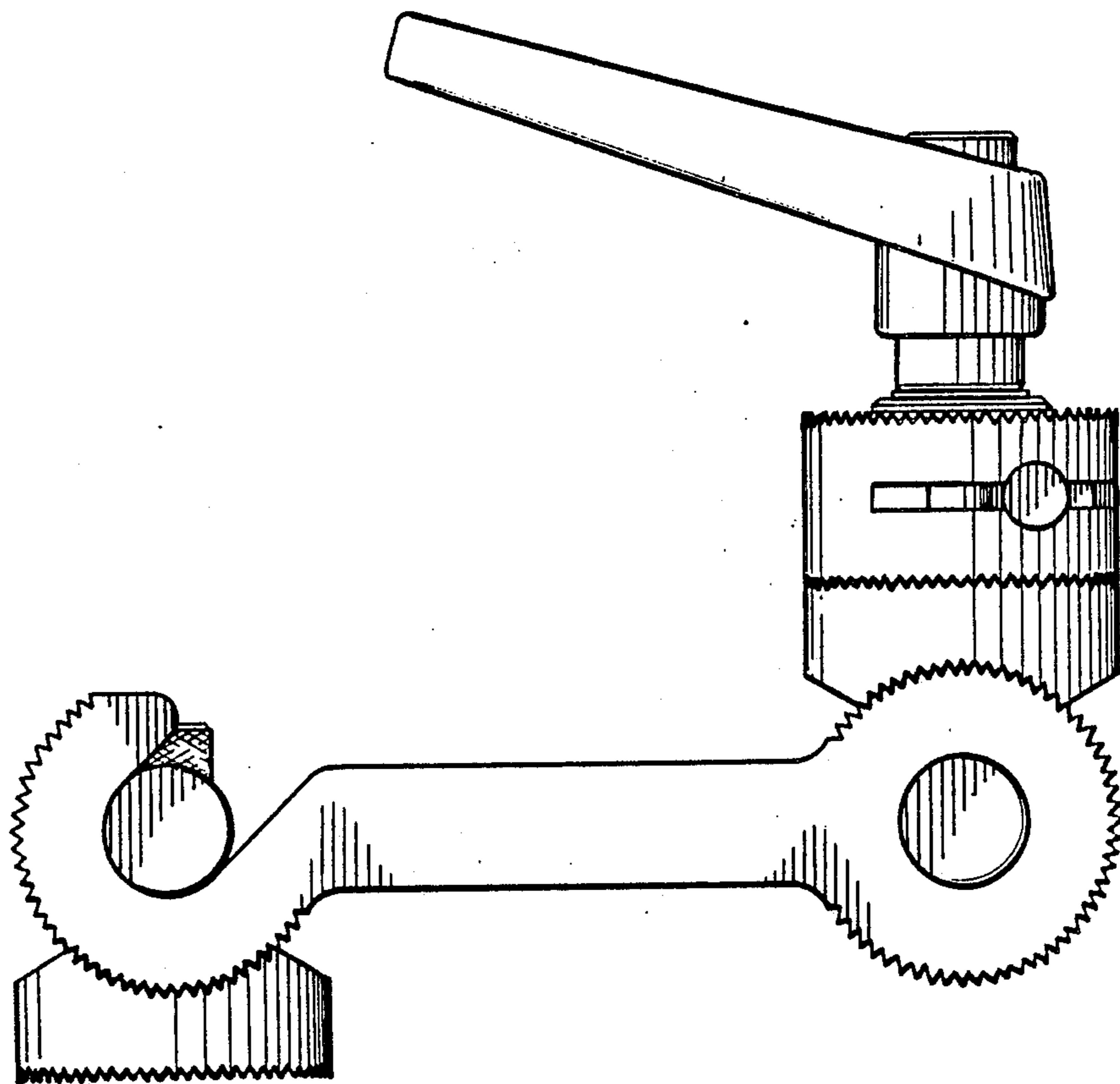


FIG. 2

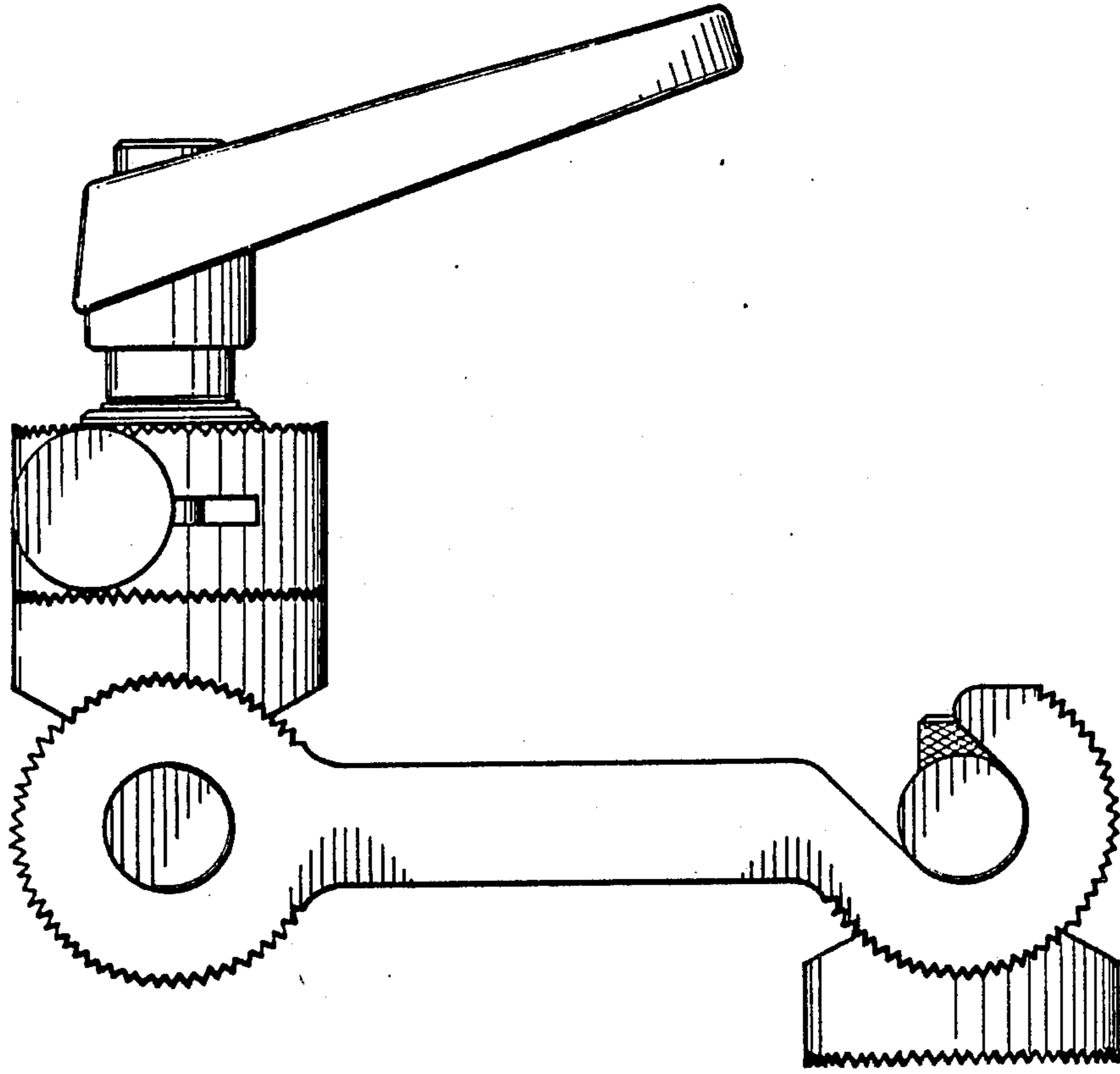


FIG. 3

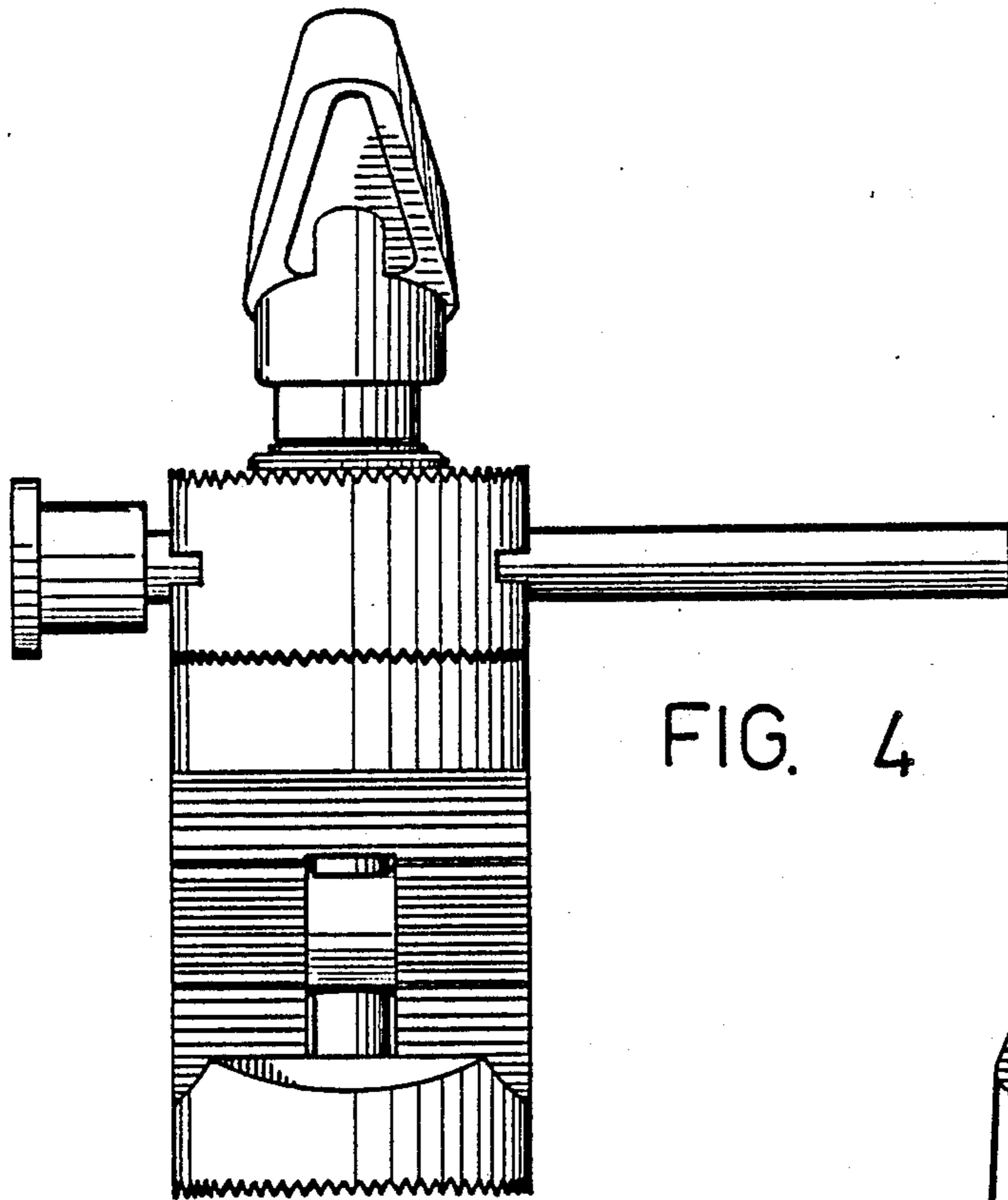


FIG. 4

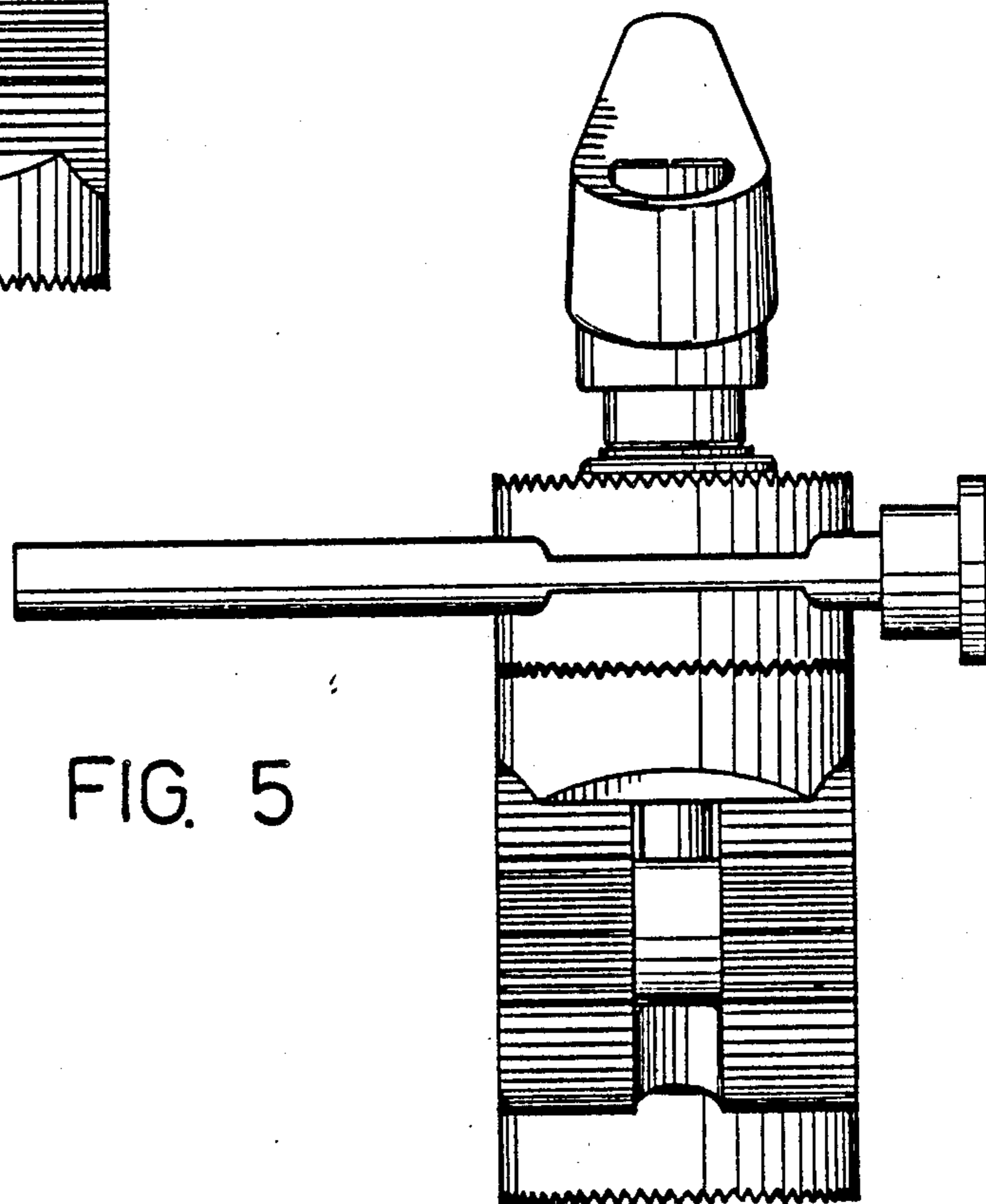


FIG. 5

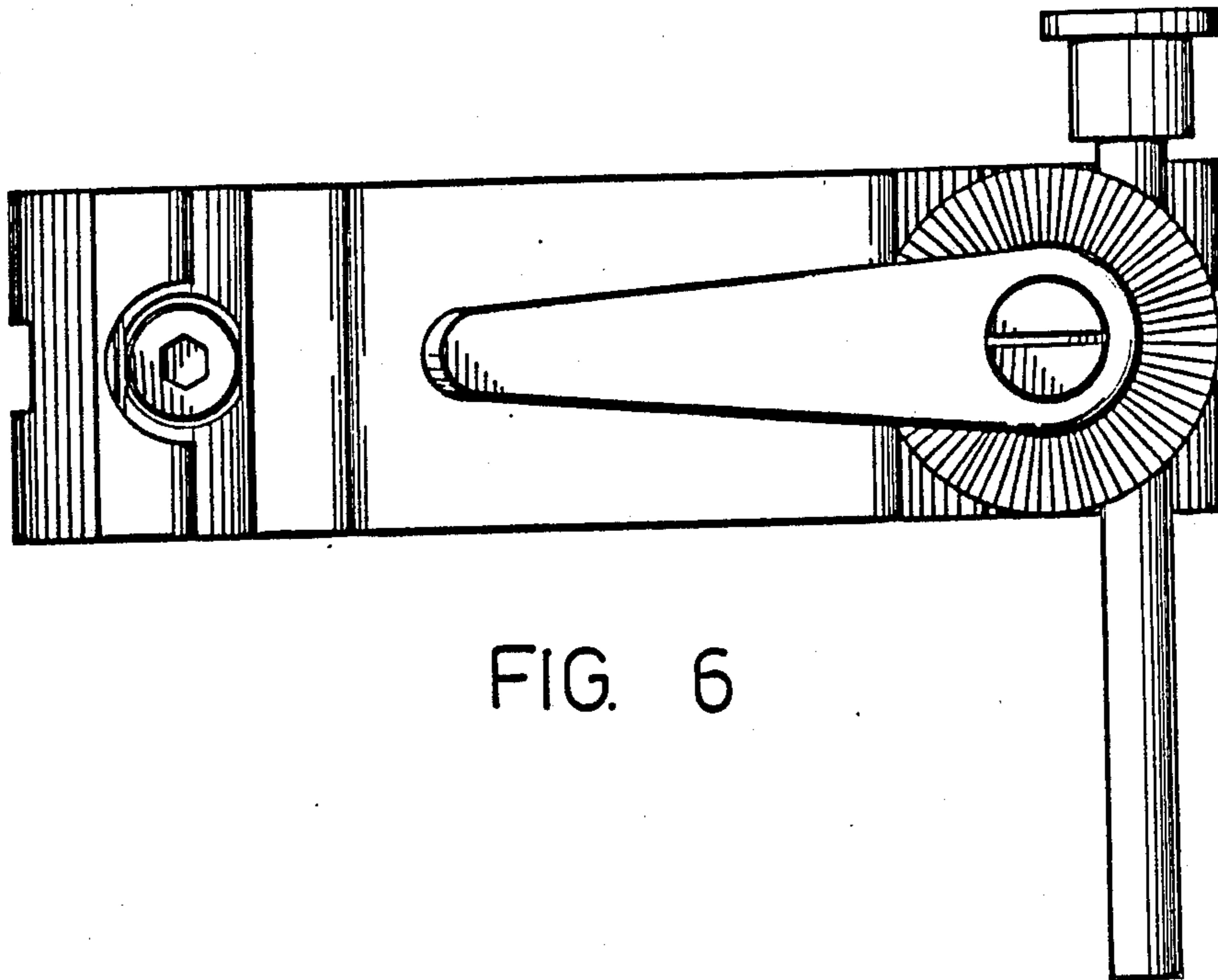


FIG. 6

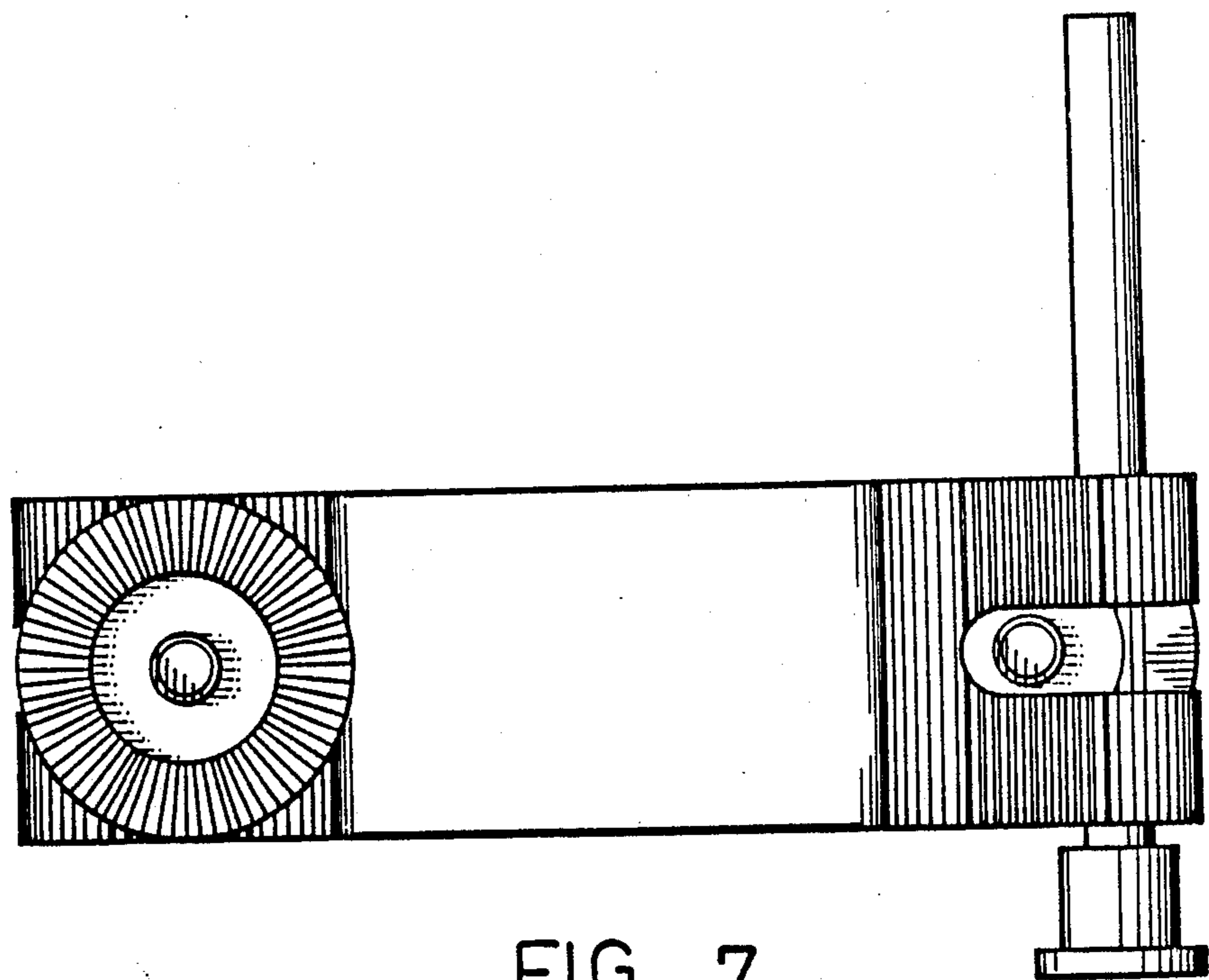


FIG. 7