

[54] INTERNAL COMBUSTION ENGINE
[75] Inventors: Joseph R. Harkness, Germantown;
Gerald C. Ruehlow, Oconomowoc;
Thomas J. Green, West Bend, all of
Wis.

D. 239,329 3/1976 Schramm D15/1
D. 247,177 2/1978 Stevens D15/1
D. 294,832 3/1988 Itou et al. D15/1
D. 296,441 6/1988 Mariol D15/9

[73] Assignee: Briggs & Stratton Corporation,
Wauwatosa, Wis.

Primary Examiner—James M. Gandy
Assistant Examiner—Brian N. Vinson
Attorney, Agent, or Firm—Andrus, Scales, Starke &
Sawall

[**] Term: 14 Years

[57] CLAIM

[21] Appl. No.: 231,787

The ornamental design for an internal combustion engine, as shown.

[22] Filed: Aug. 12, 1988

[52] U.S. Cl. D15/1

DESCRIPTION

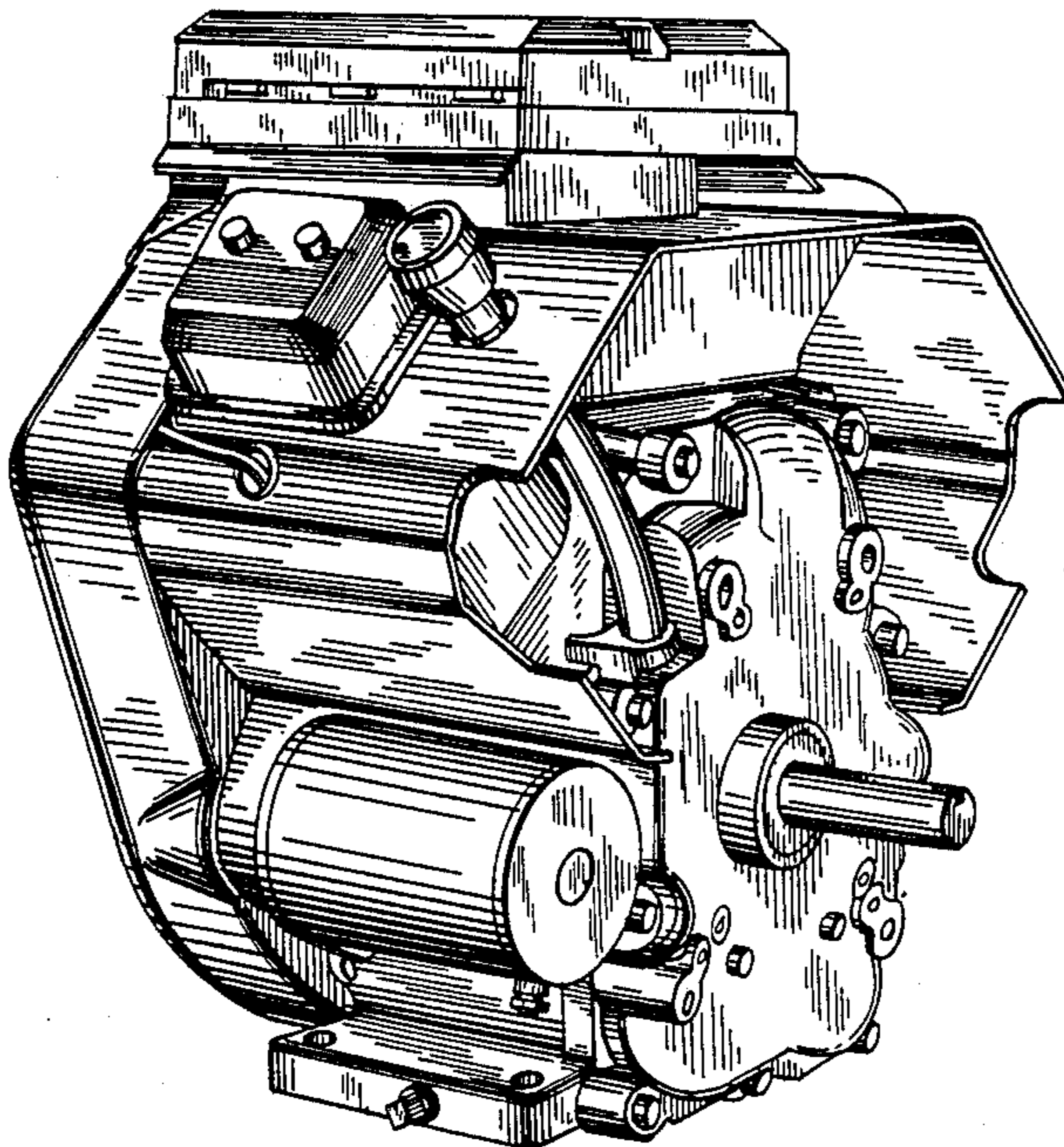
[58] Field of Search D15/1, 3, 9; 123/22,
123/50 R, 50 A, 50 B, 51 R, 51 A, 51 B, 52 R,
56 R, 56 A, 56 B, 65 R, 311

FIG. 1 is a front elevational view of an internal combustion engine showing our new design;
FIG. 2 is a rear elevational view thereof;
FIG. 3 is a top plan view thereof;
FIG. 4 is a left side elevational view thereof;
FIG. 5 is a right side elevational view thereof; and,
FIG. 6 is a perspective view thereof.

[56] References Cited

U.S. PATENT DOCUMENTS

D. 227,177 6/1973 Cookson et al. D15/1



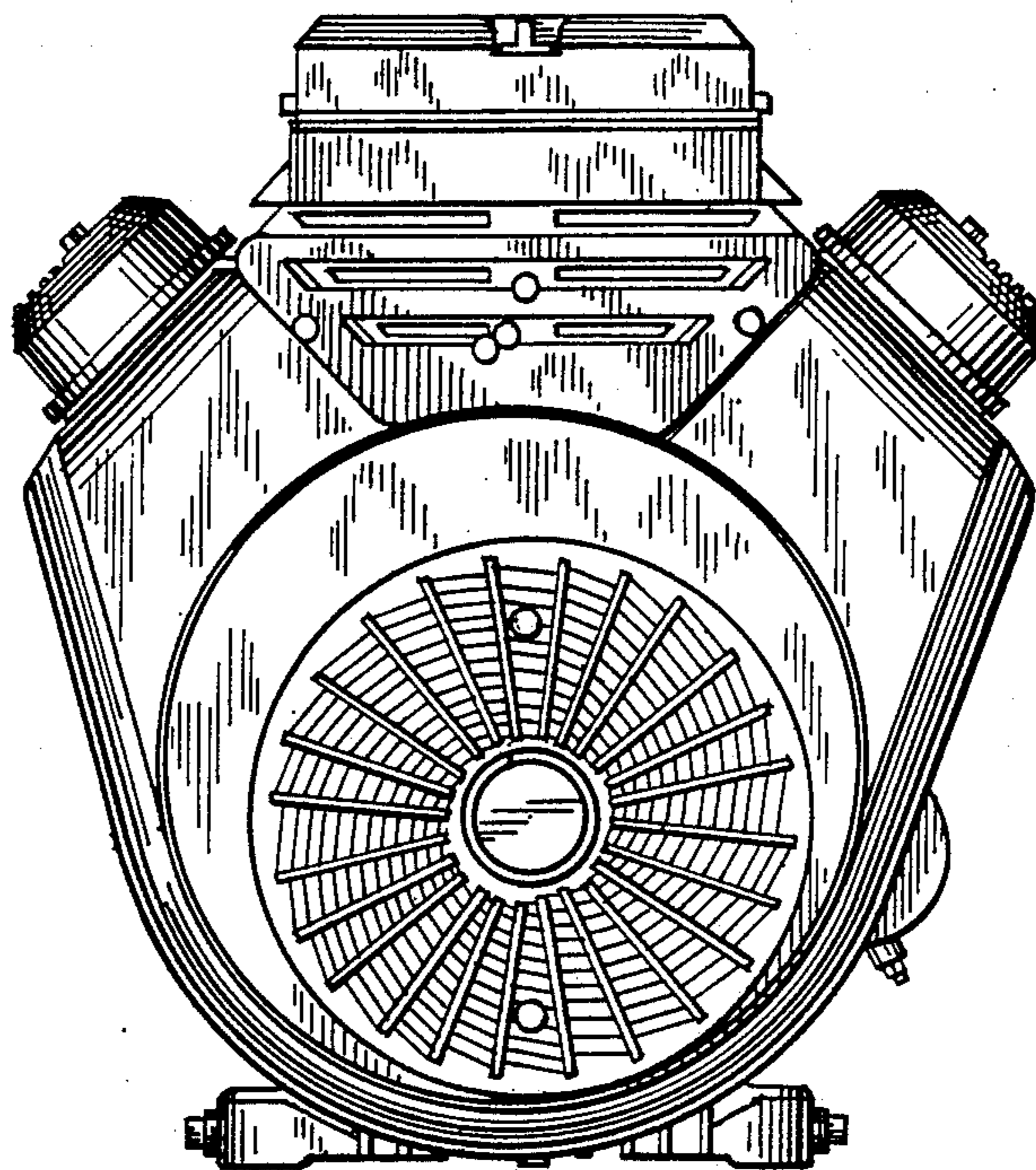


FIG. 1

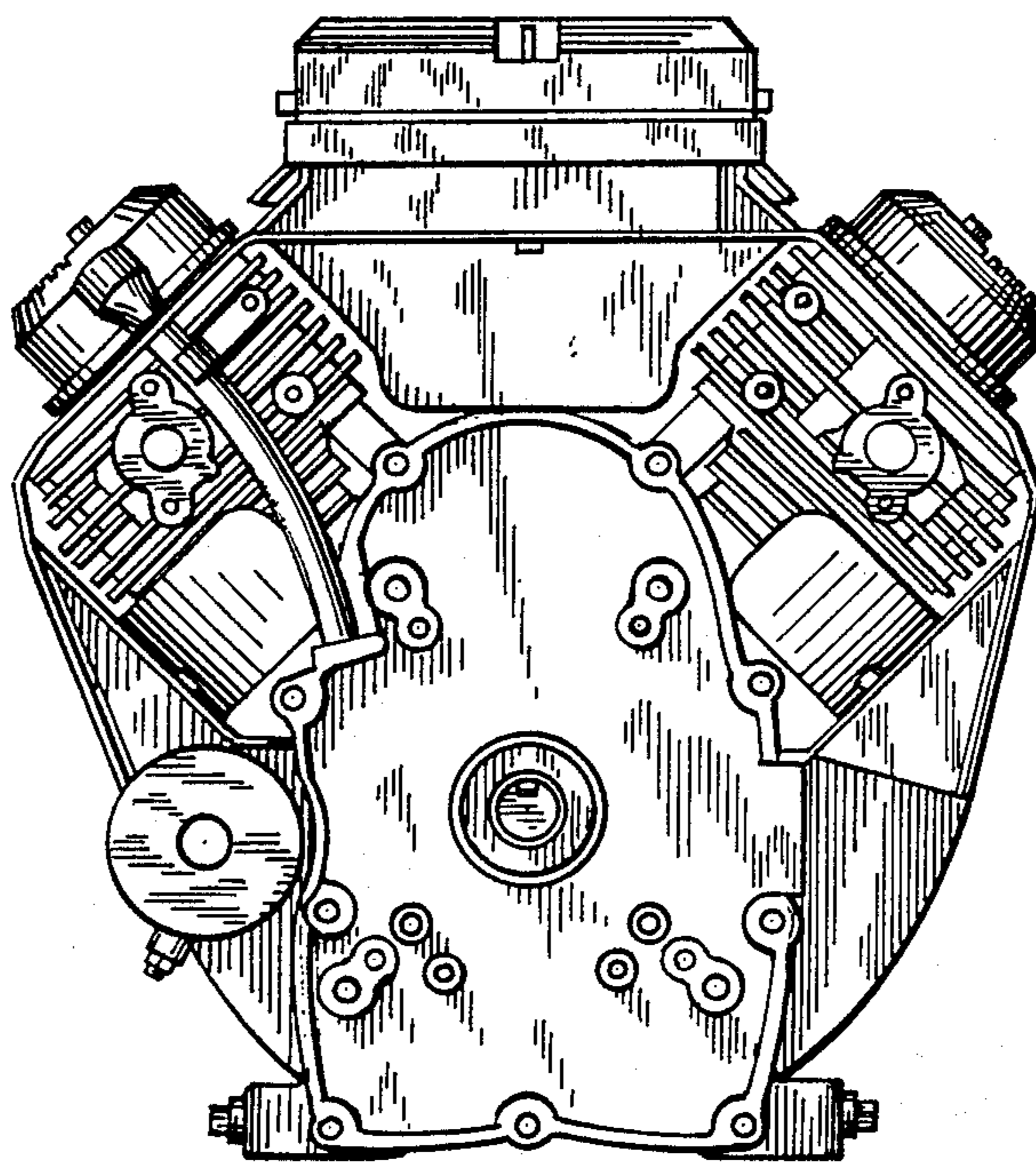


FIG. 2

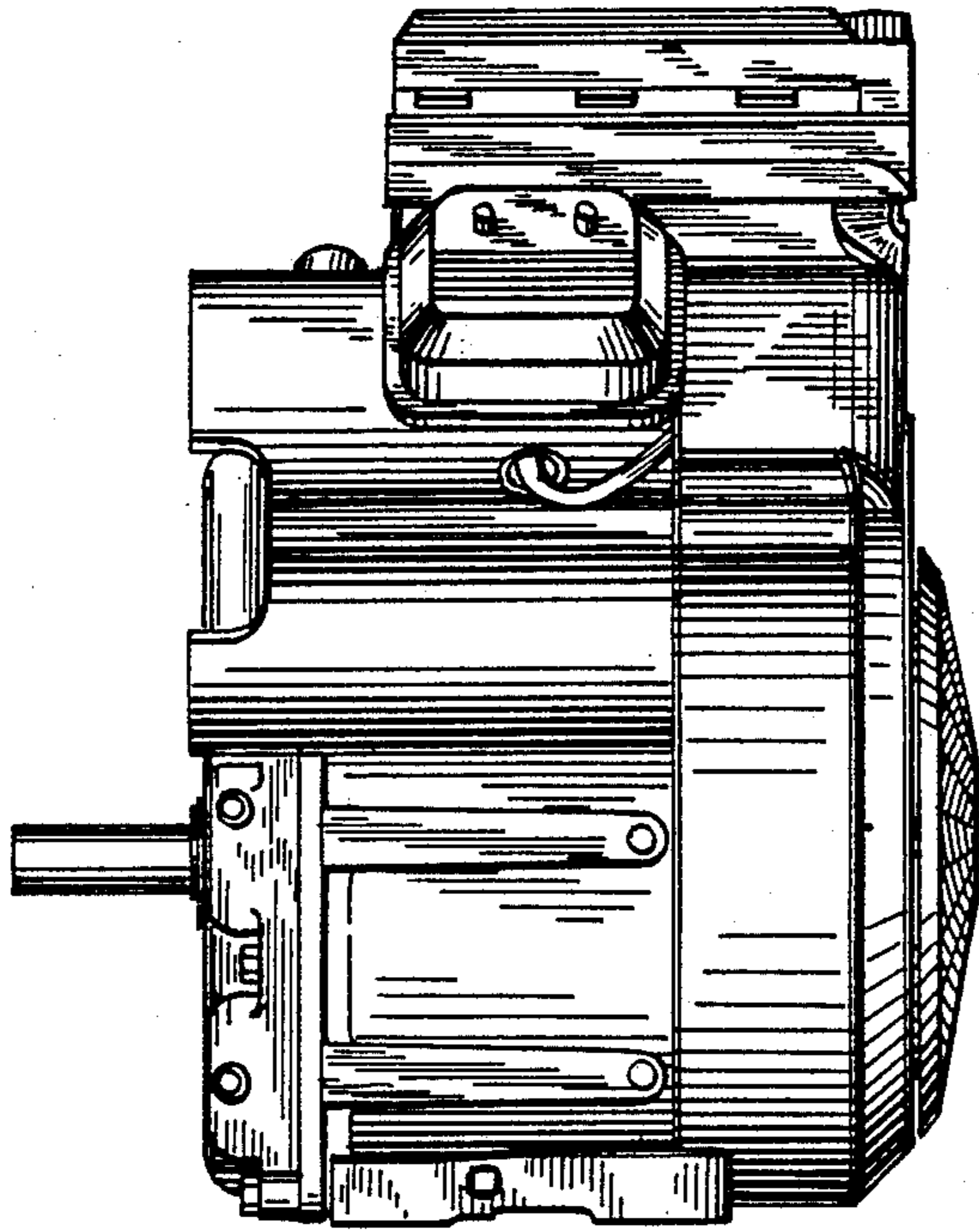
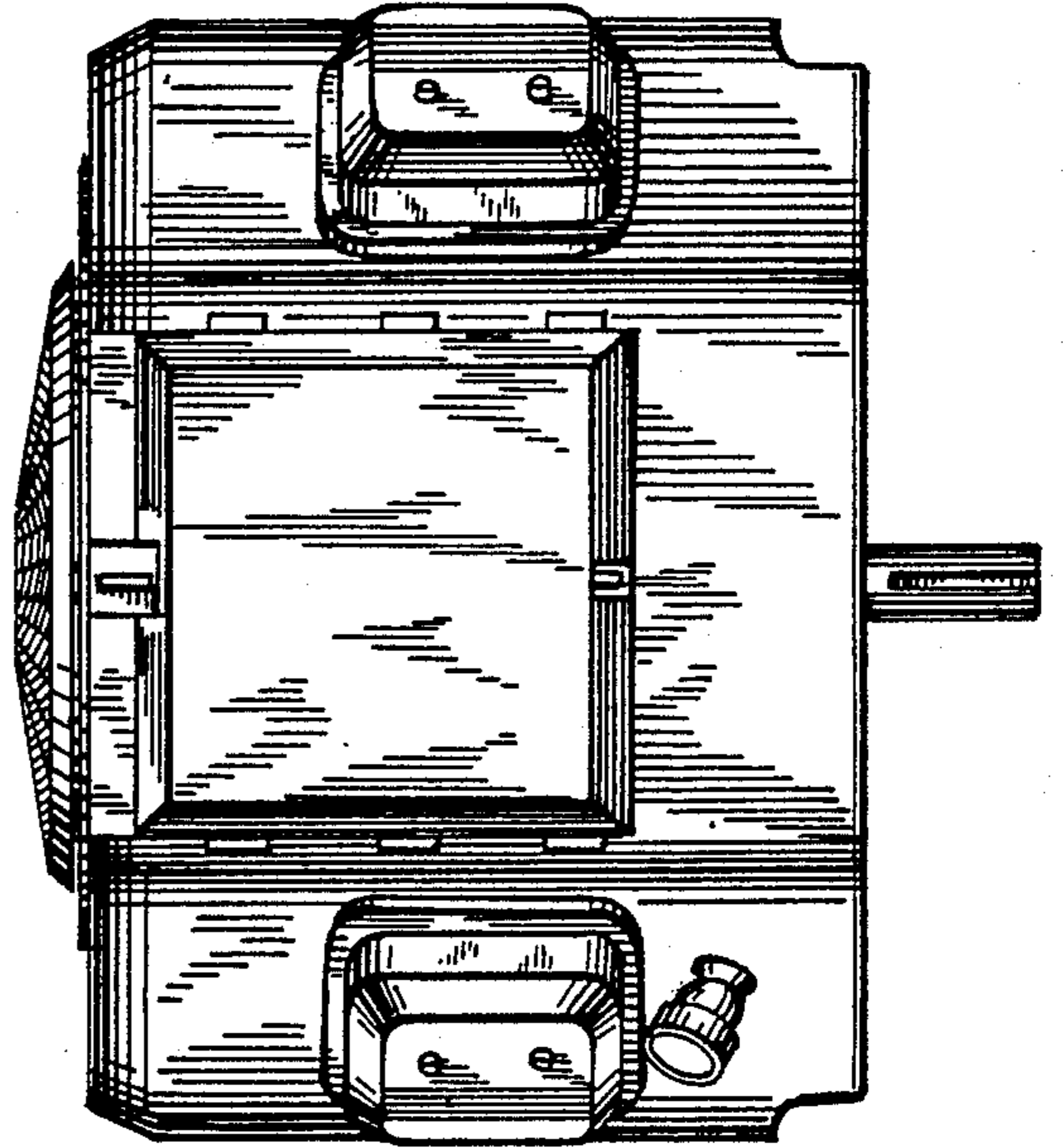


FIG. 4

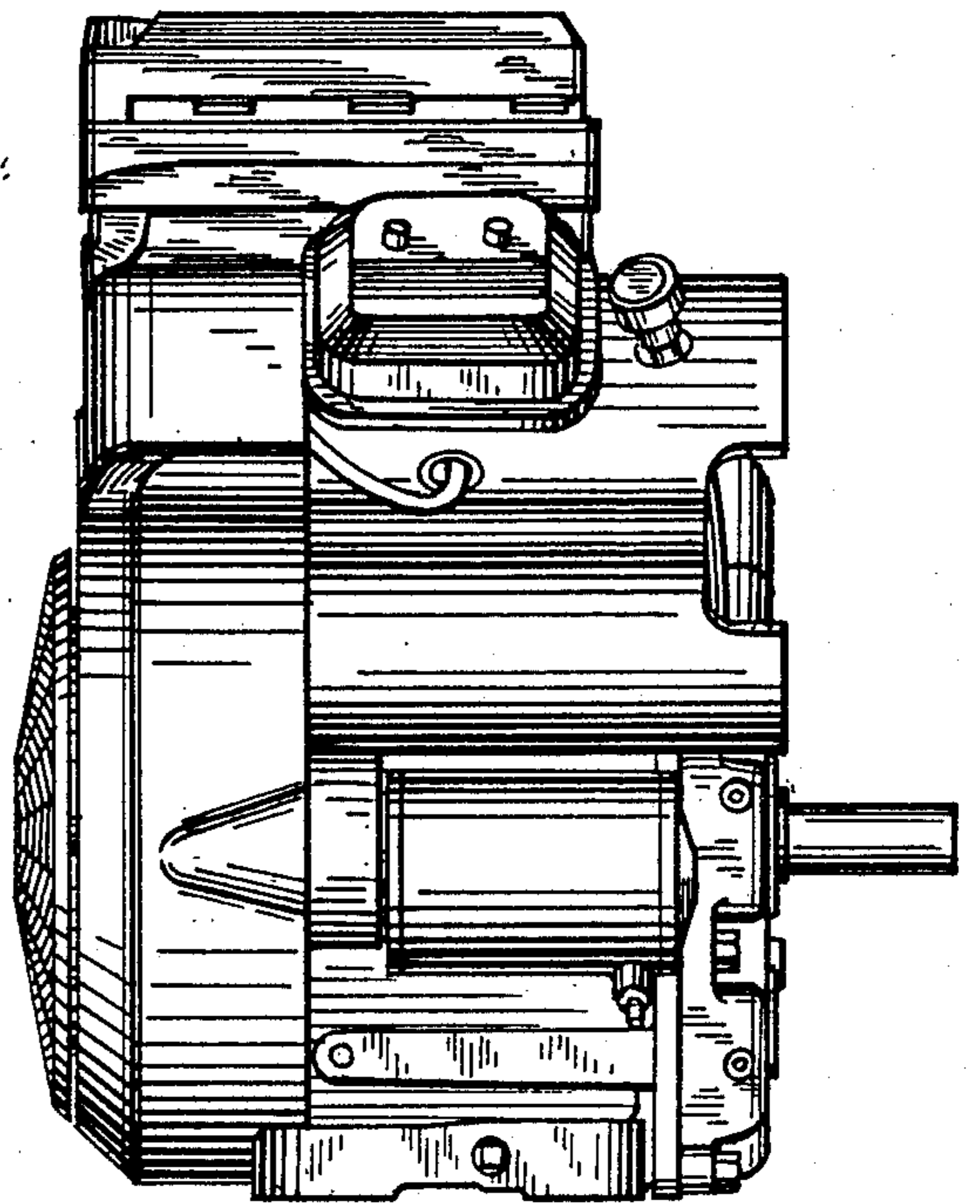


FIG. 5

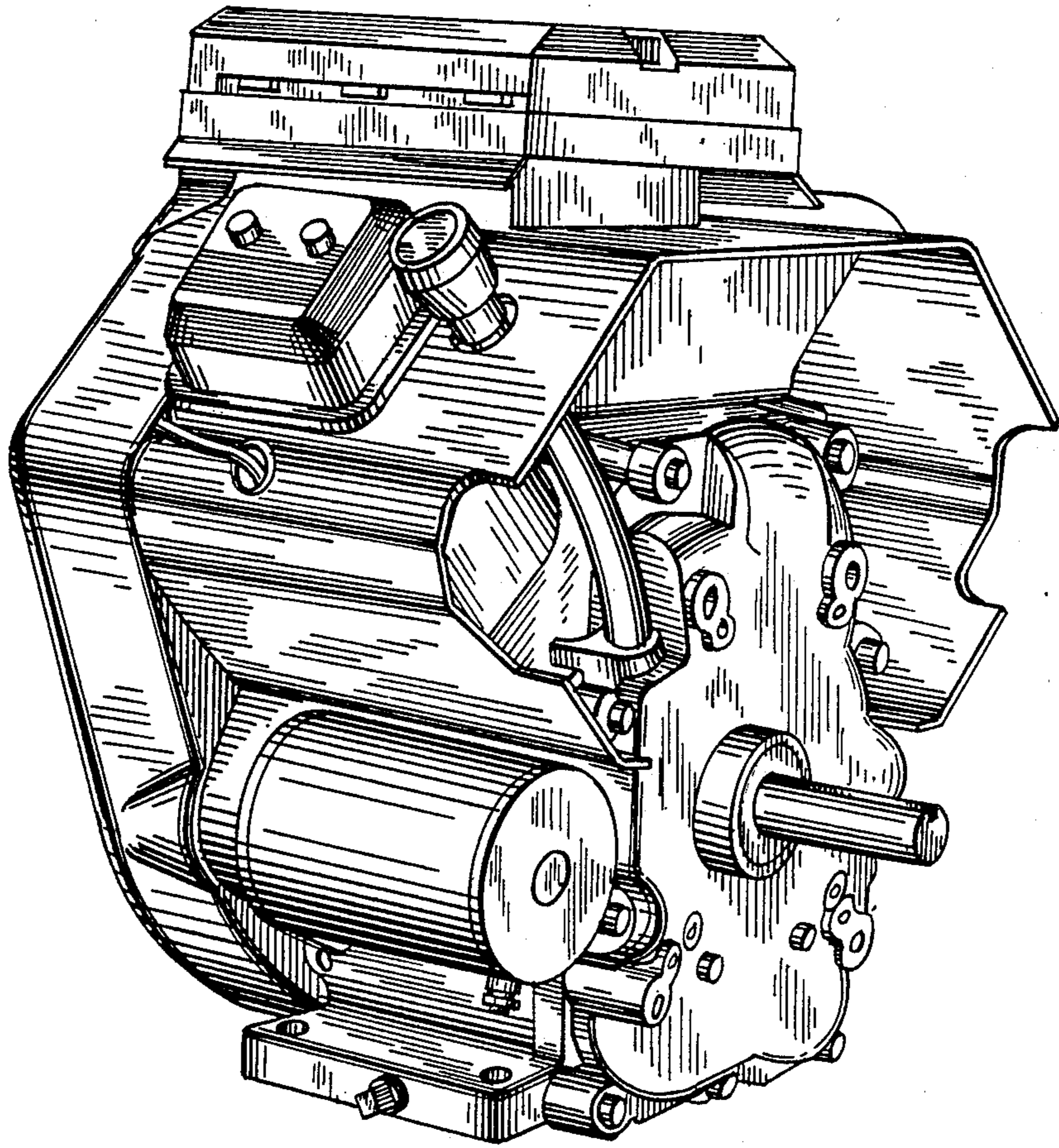


FIG. 6