

[54] ELECTRONIC BAR CODE READER

[75] Inventors: Frederick M. Weaver; Donna E. Goodner, both of Charlotte, N.C.

[73] Assignee: Hand Held Products, Inc., Charlotte, N.C.

[**] Term: 14 Years

[21] Appl. No.: 252,351

[22] Filed: Sep. 30, 1988

[52] U.S. Cl. D14/116

[58] Field of Search D14/100, 105, 107, 114, D14/116; 235/454, 462, 470, 471, 472, 473, 475, 479; 250/203 R, 566, 568, 569, 239; 358/408, 473, 474, 497; 354/80, 81, 82; 355/231, 233; 382/58, 59, 62, 63, 65

[56] References Cited

U.S. PATENT DOCUMENTS

D. 248,946	8/1978	Koenig	D14/116
D. 297,431	8/1988	Beard et al.	D14/116
D. 297,432	8/1988	Stant et al.	D14/116
4,335,303	6/1982	Call	235/454 X
4,570,057	2/1986	Chadima, Jr. et al.	235/472
4,694,182	9/1987	Howard	250/566
4,801,786	1/1989	Stobbe	235/454 X
4,841,129	6/1989	Tawara et al.	235/462 X

OTHER PUBLICATIONS

Symbol Technologies Inc., 1987—Front of Flyer—LS 7000II Hand—Held Laser Scanner.
Symbol LS 8120II/9125II Solid State Laser Scanner with Integrated RS 232C Interface, Publication No. 887 VA, ©1987 Symbol Technologies, Inc.

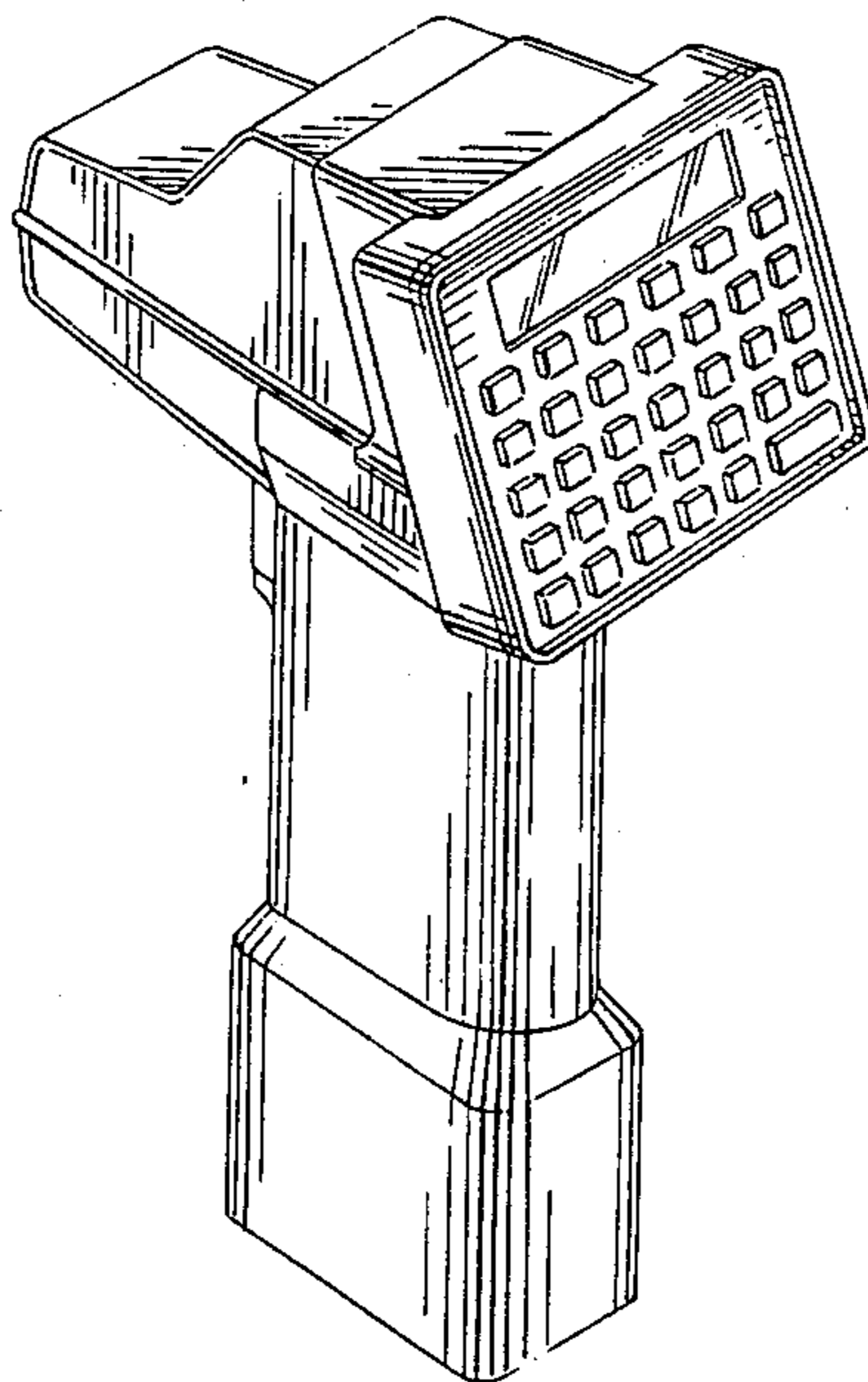
Primary Examiner—Susan J. Lucas
Assistant Examiner—Freda S. Nunn
Attorney, Agent, or Firm—Bell, Seltzer, Park & Gibson

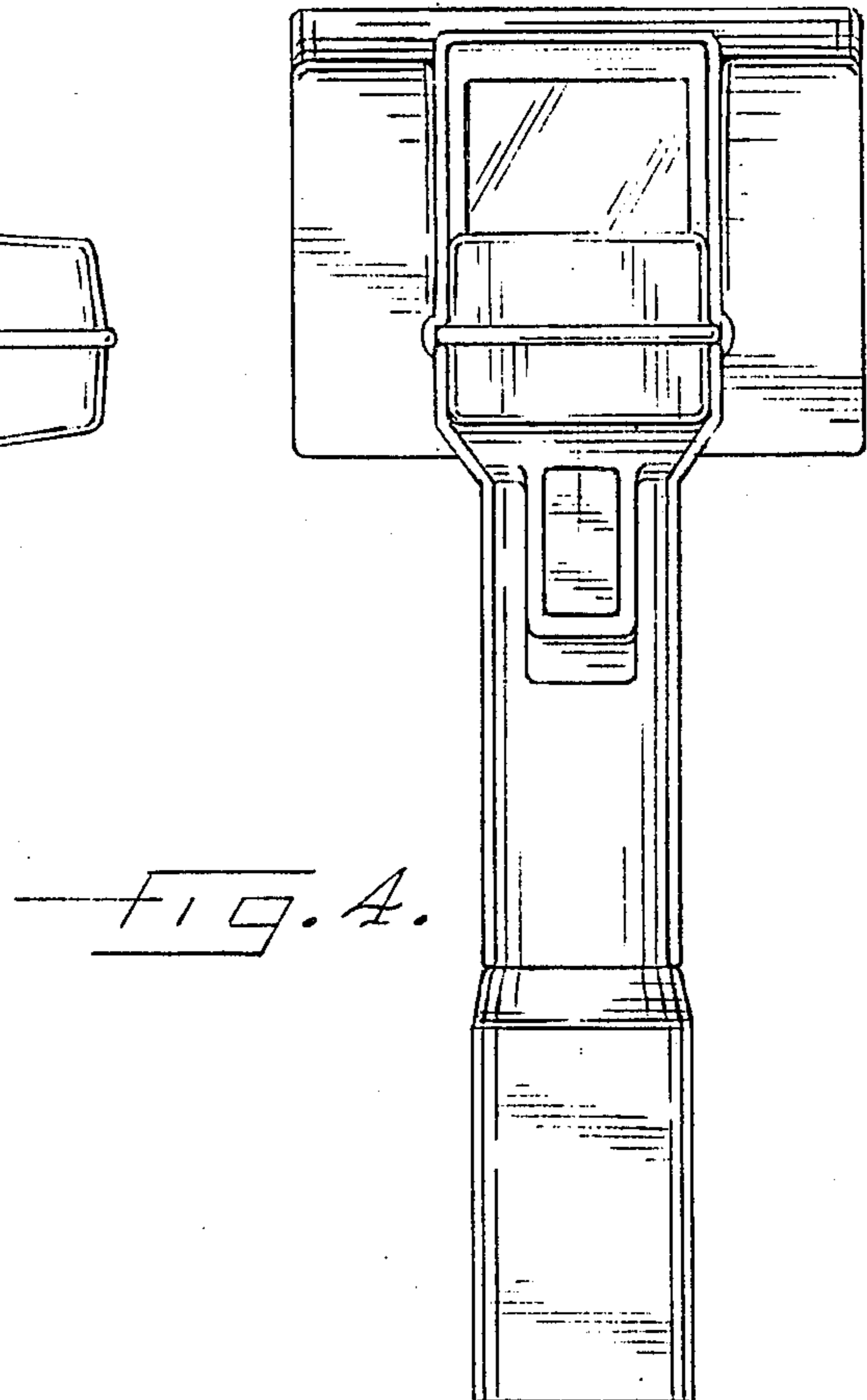
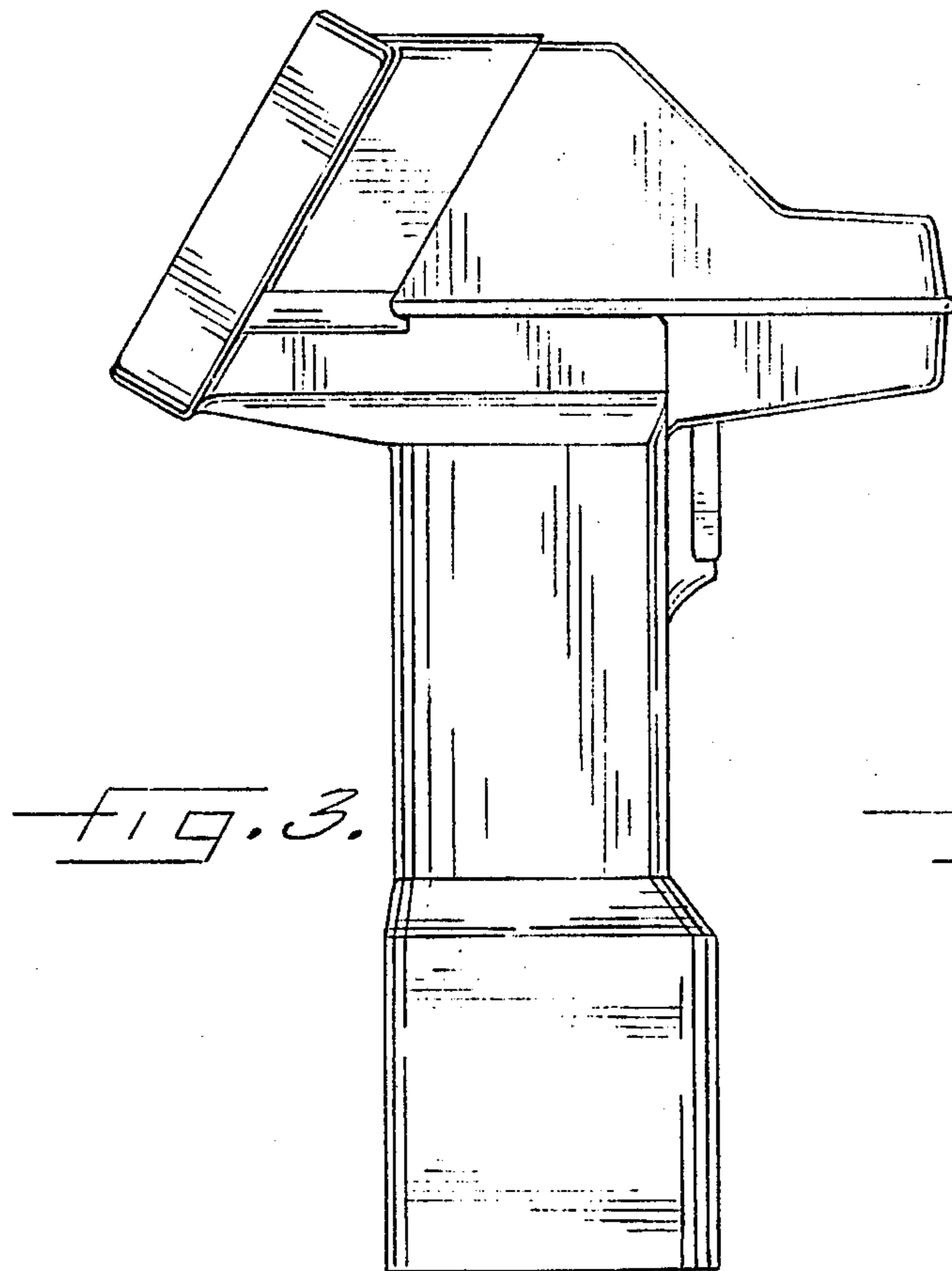
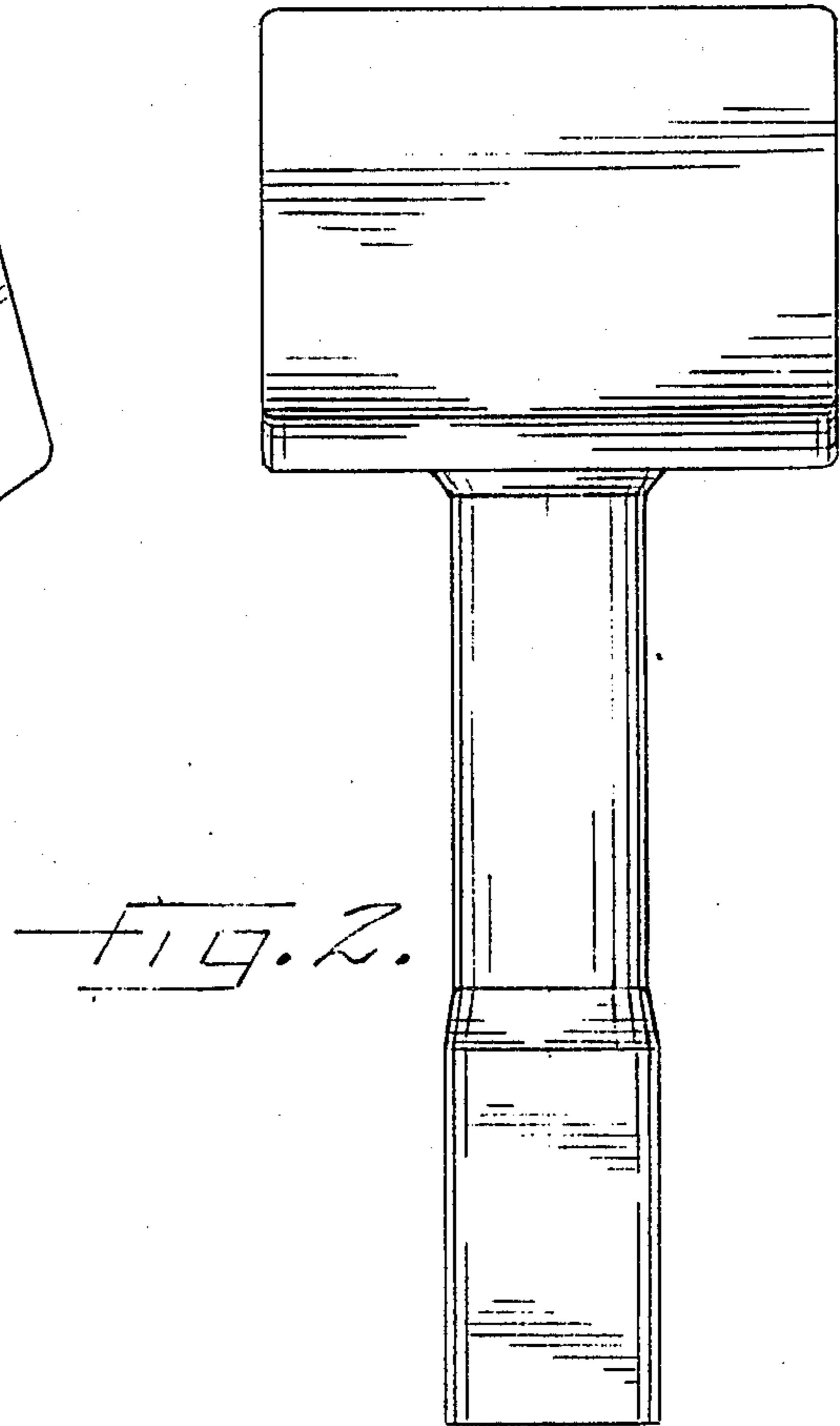
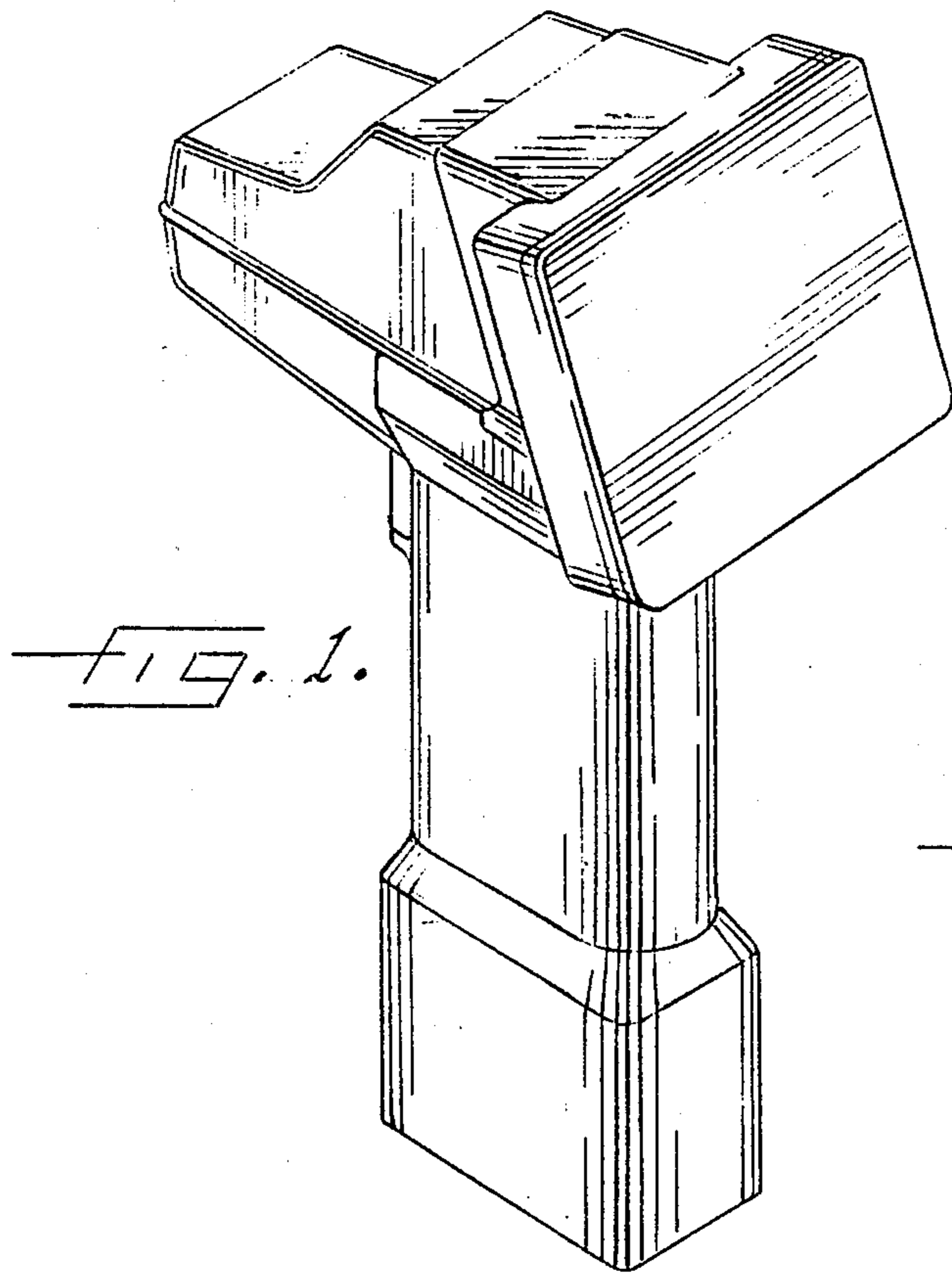
[57] CLAIM

The ornamental design for an electronic bar code reader, as shown and described.

DESCRIPTION

FIG. 1 is a front perspective view of an electronic bar code reader showing our new design;
FIG. 2 is a front elevational view thereof;
FIG. 3 is a right side elevational view thereof;
FIG. 4 is a rear elevational view thereof;
FIG. 5 is a top plan view thereof;
FIG. 6 is a bottom plan view thereof;
FIG. 7 is a front perspective view of a second embodiment of our new design;
FIG. 8 is a front elevational view thereof;
FIG. 9 is a right side elevational view thereof;
FIG. 10 is a rear elevational view thereof;
FIG. 11 is a top plan view thereof;
FIG. 12 is a bottom plan view thereof;
FIG. 13 is a front perspective view of a third embodiment of our new design;
FIG. 14 is a front elevational view thereof;
FIG. 15 is a top plan view thereof;
FIG. 16 is a front perspective view of a fourth embodiment of our new design;
FIG. 17 is a front elevational view thereof;
FIG. 18 is a top plan view thereof.
The undisclosed views of the third and fourth embodiment are identical to those of the first and second embodiments respectively.





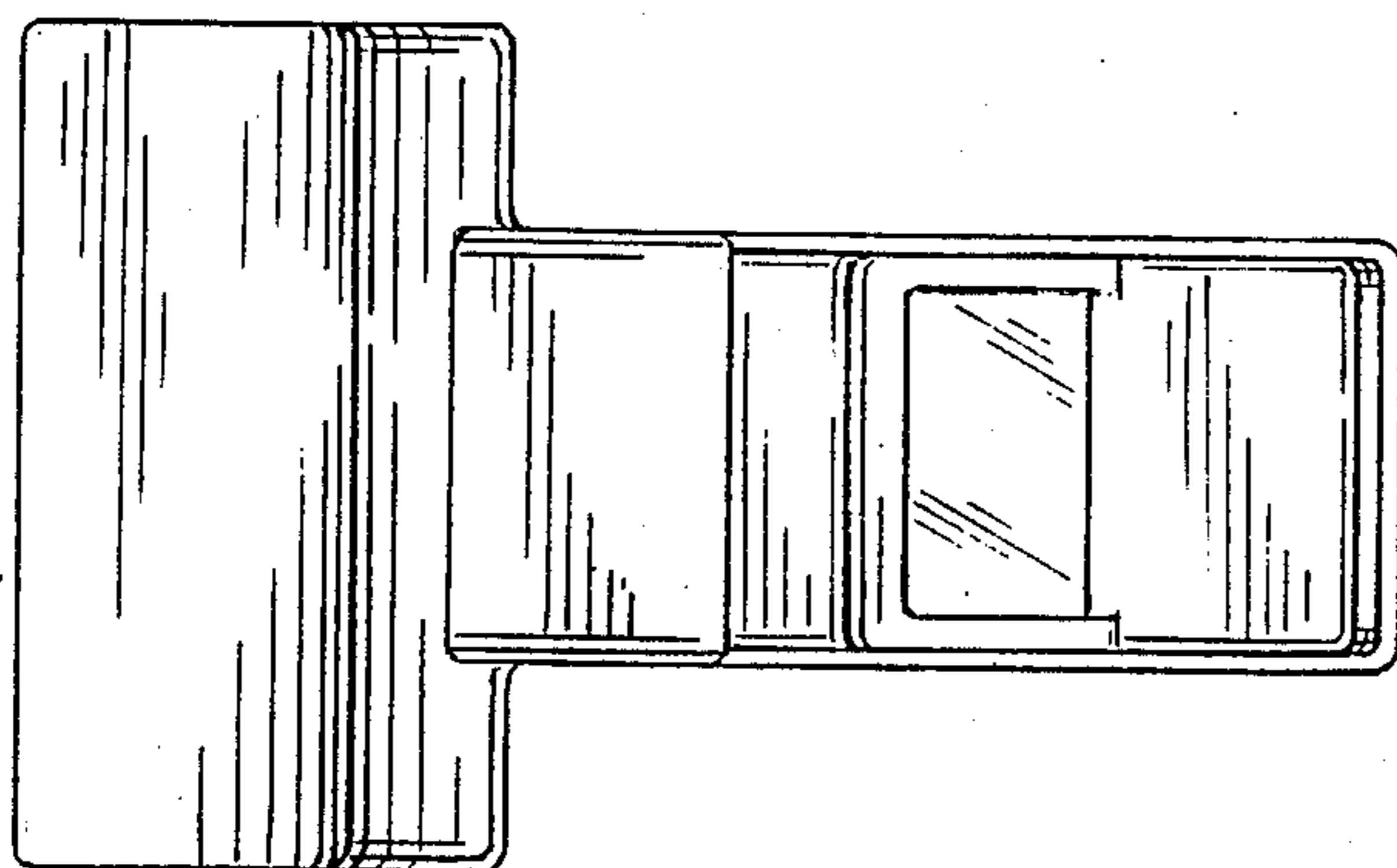


FIG. 5.

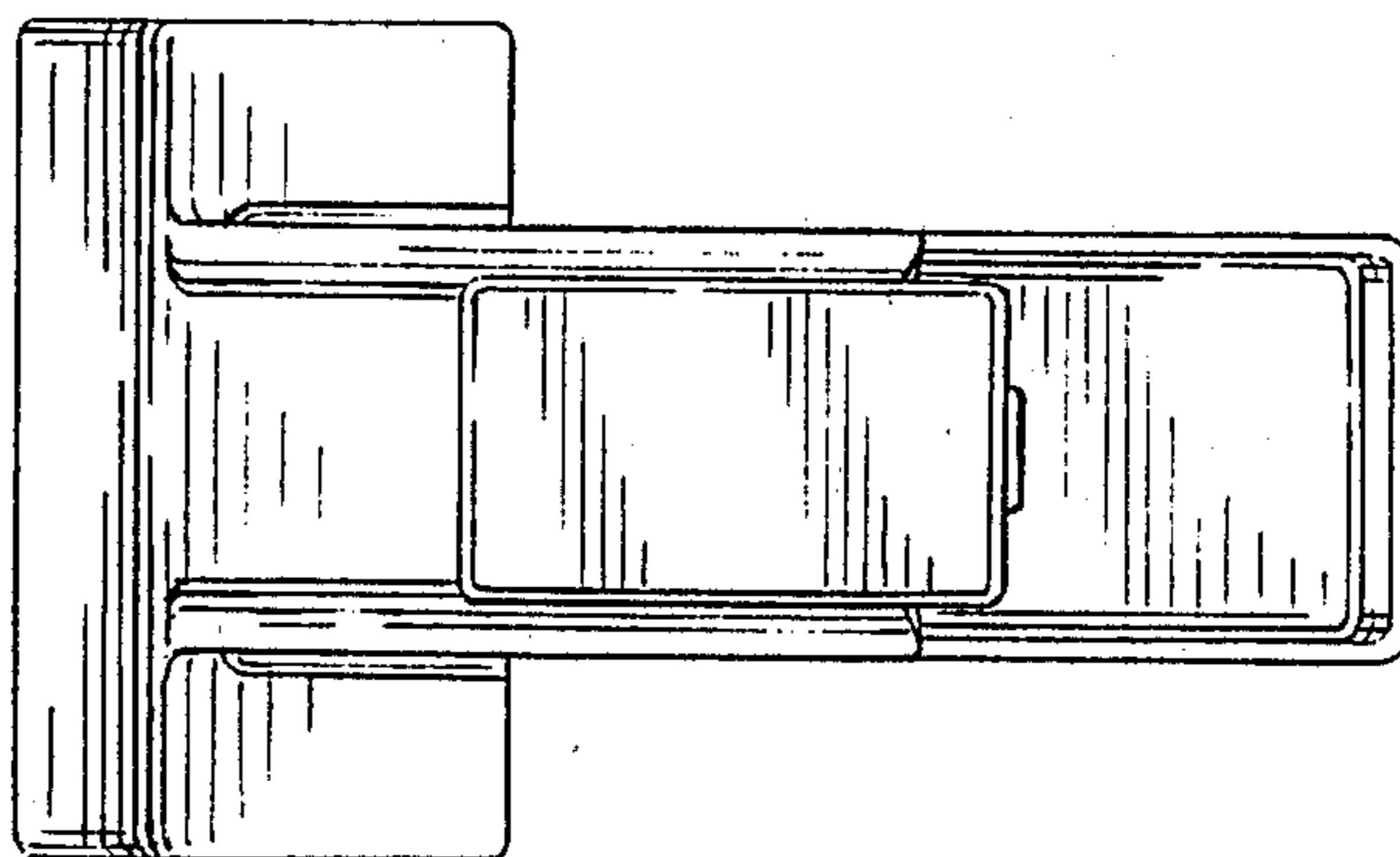
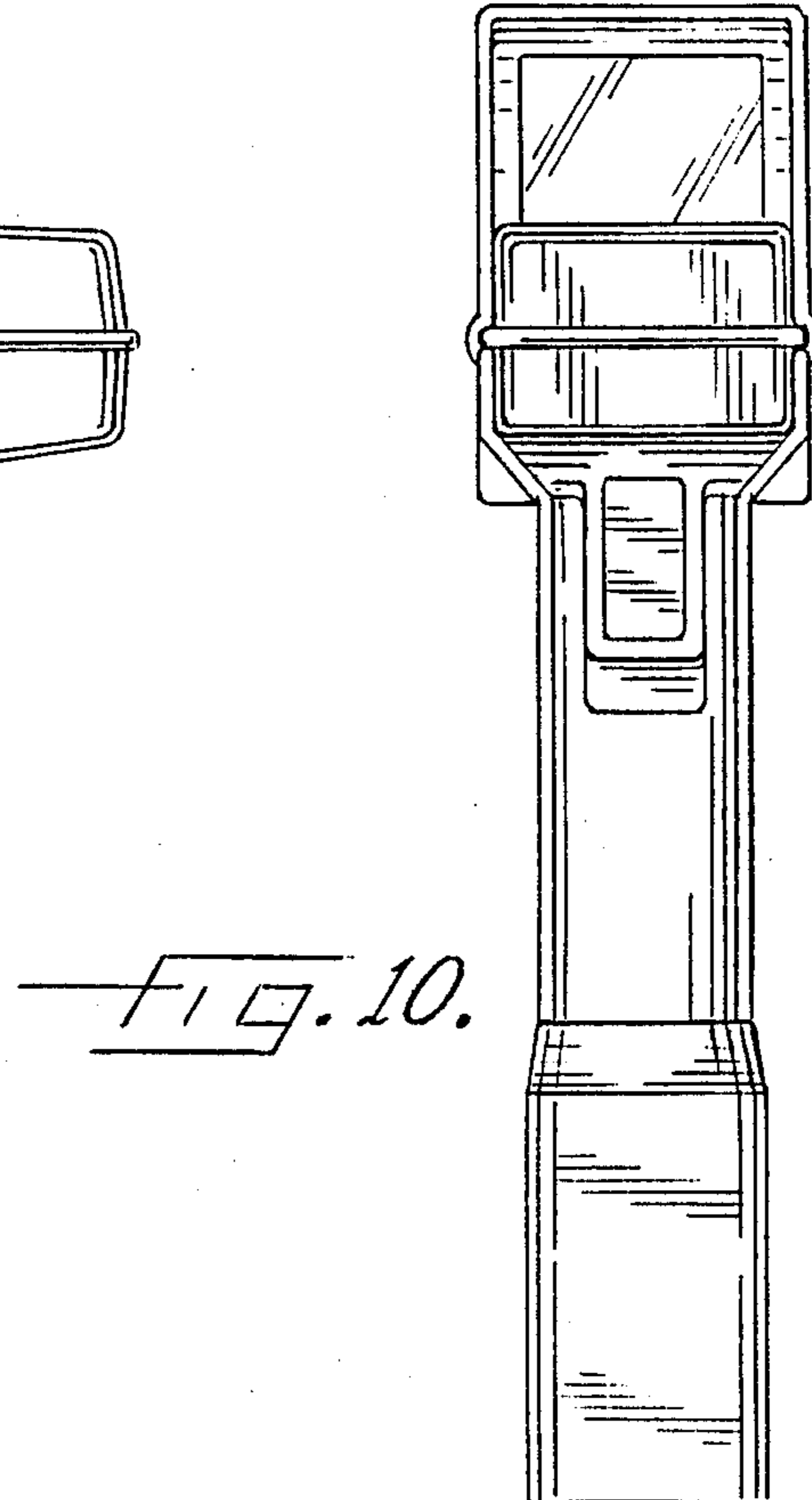
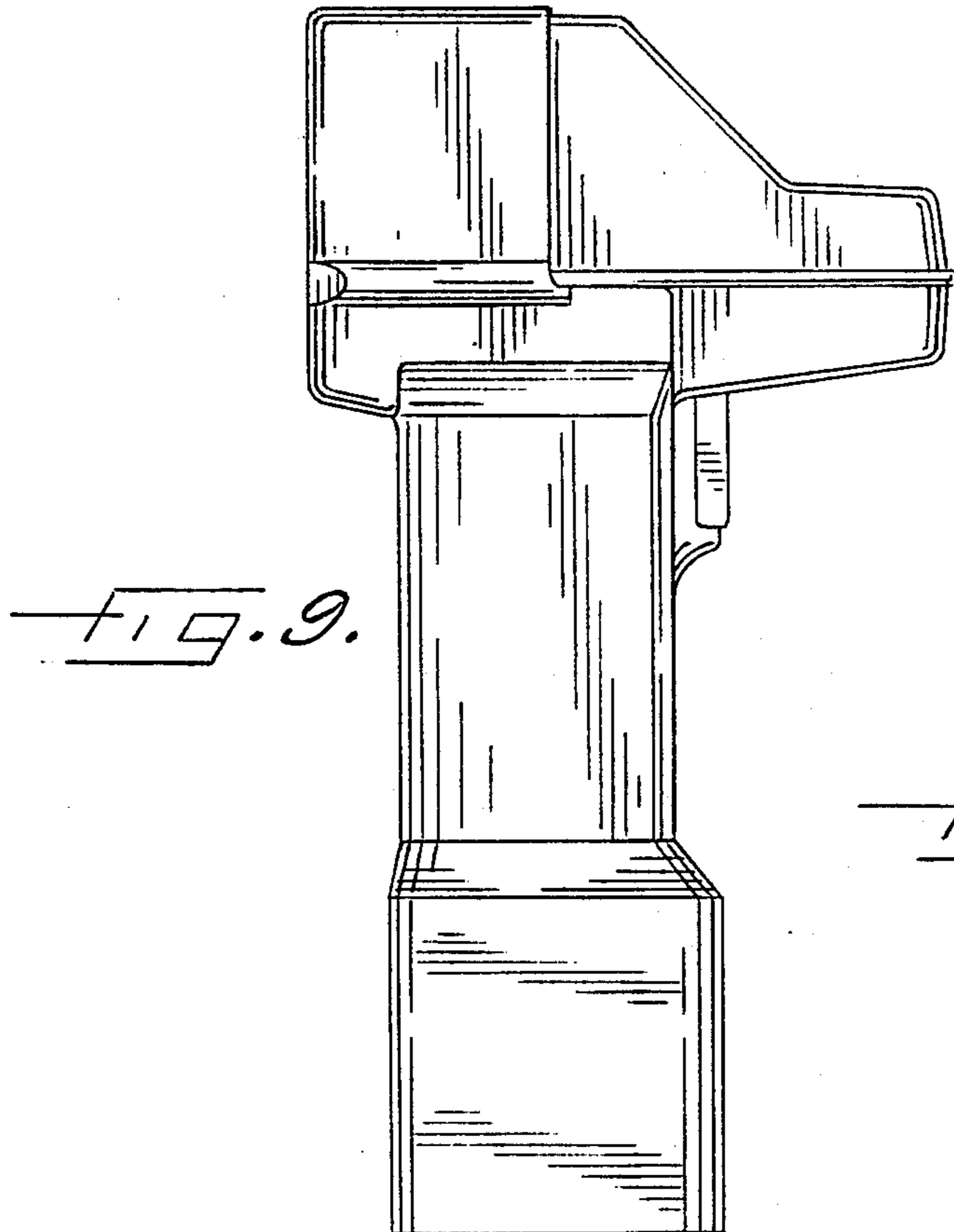
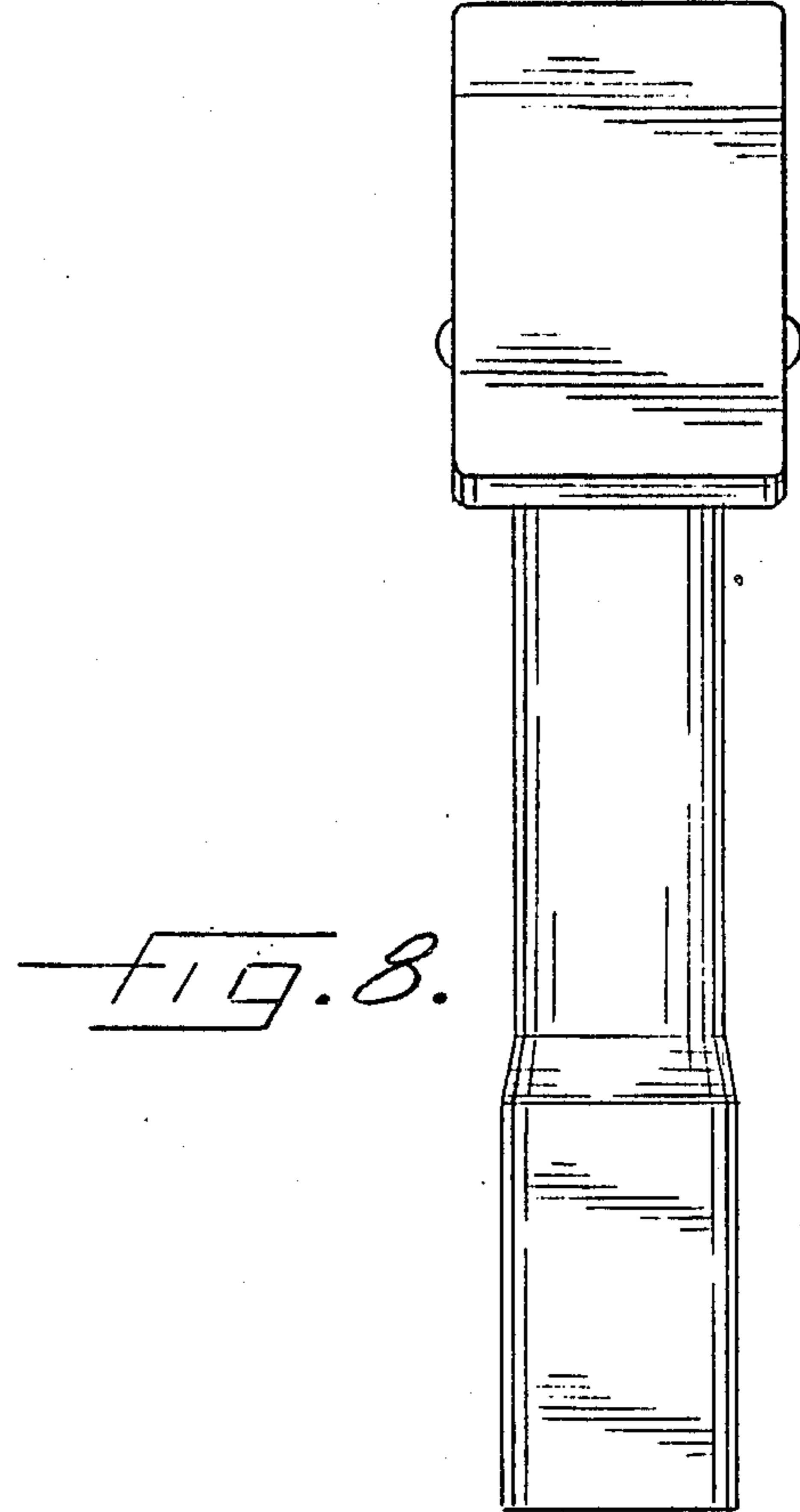
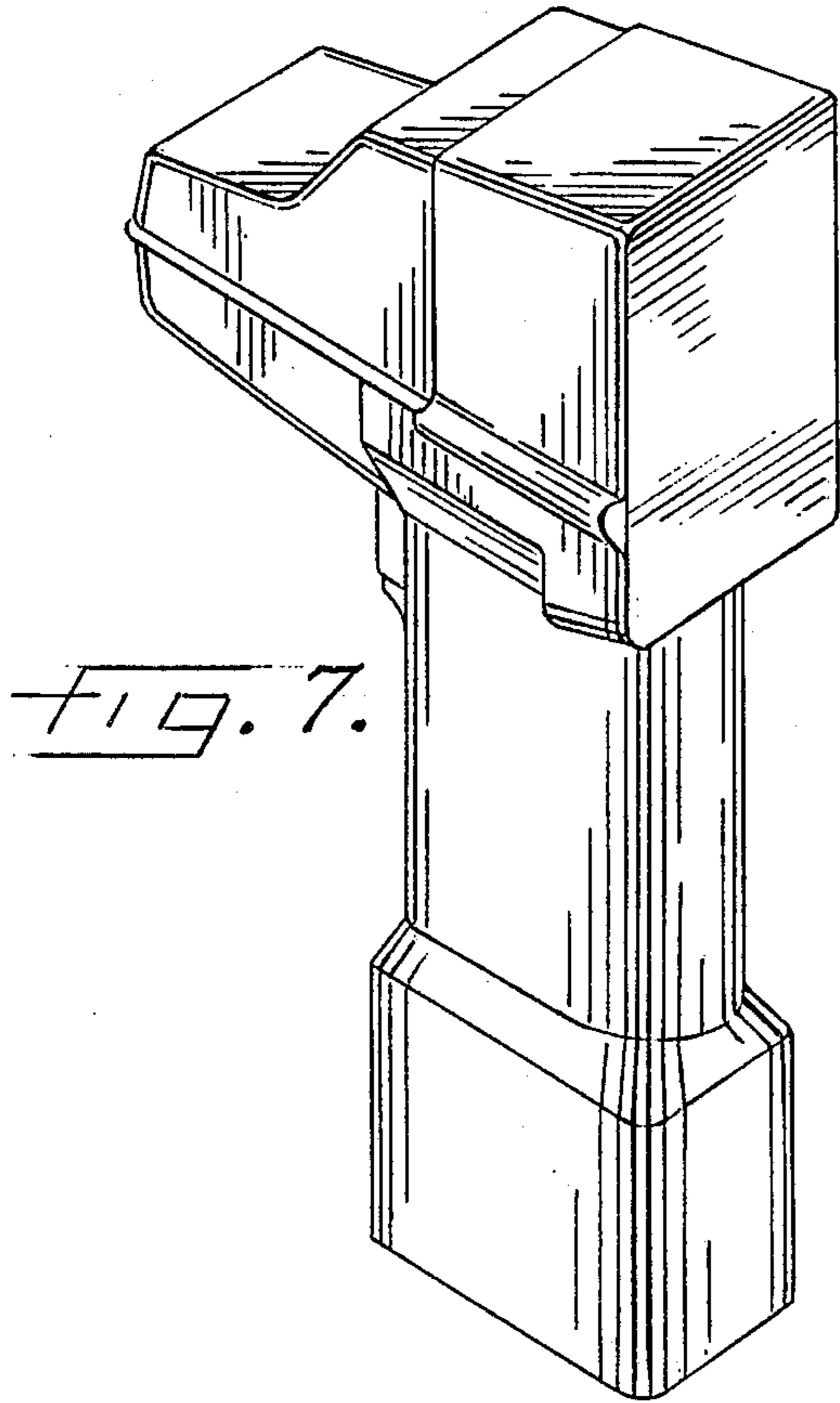


FIG. 6.



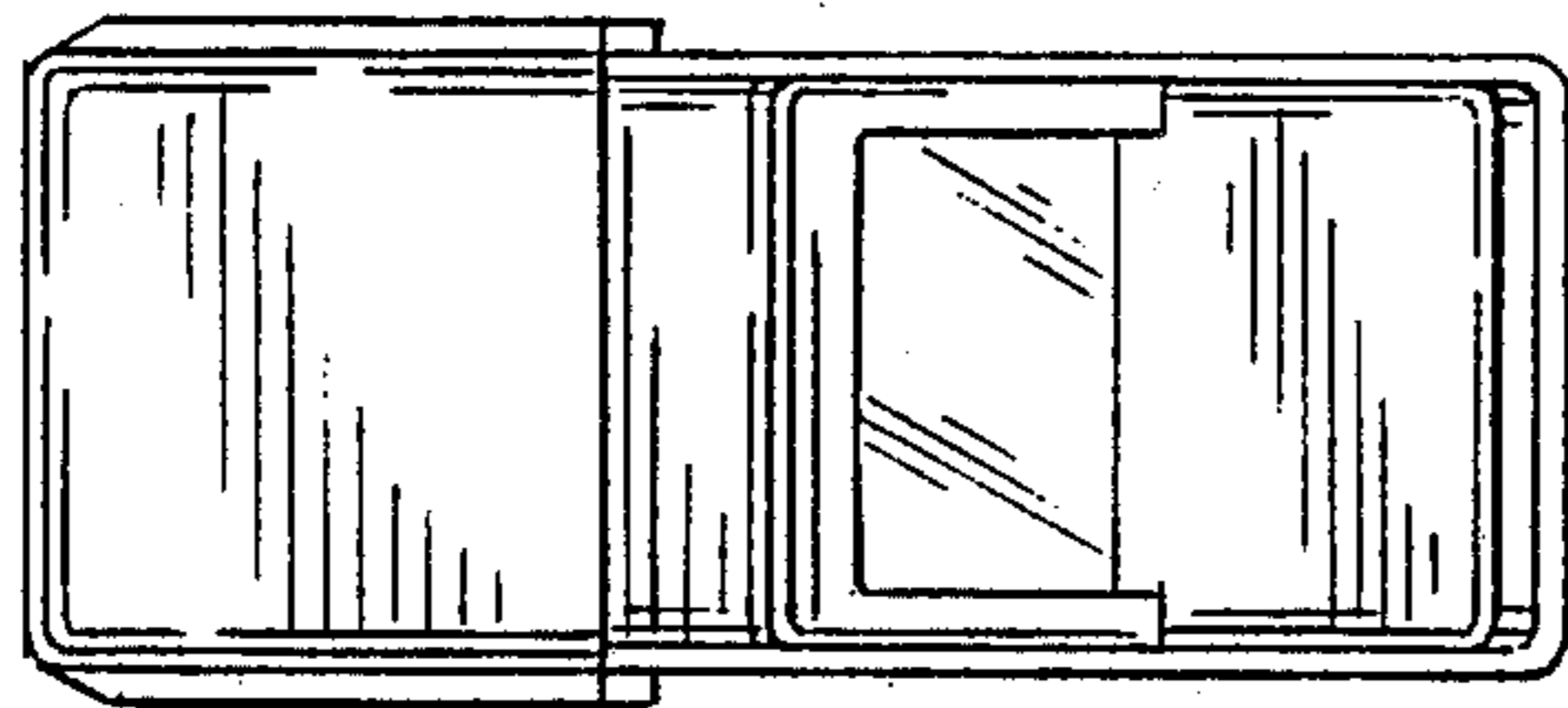


FIG. 11.

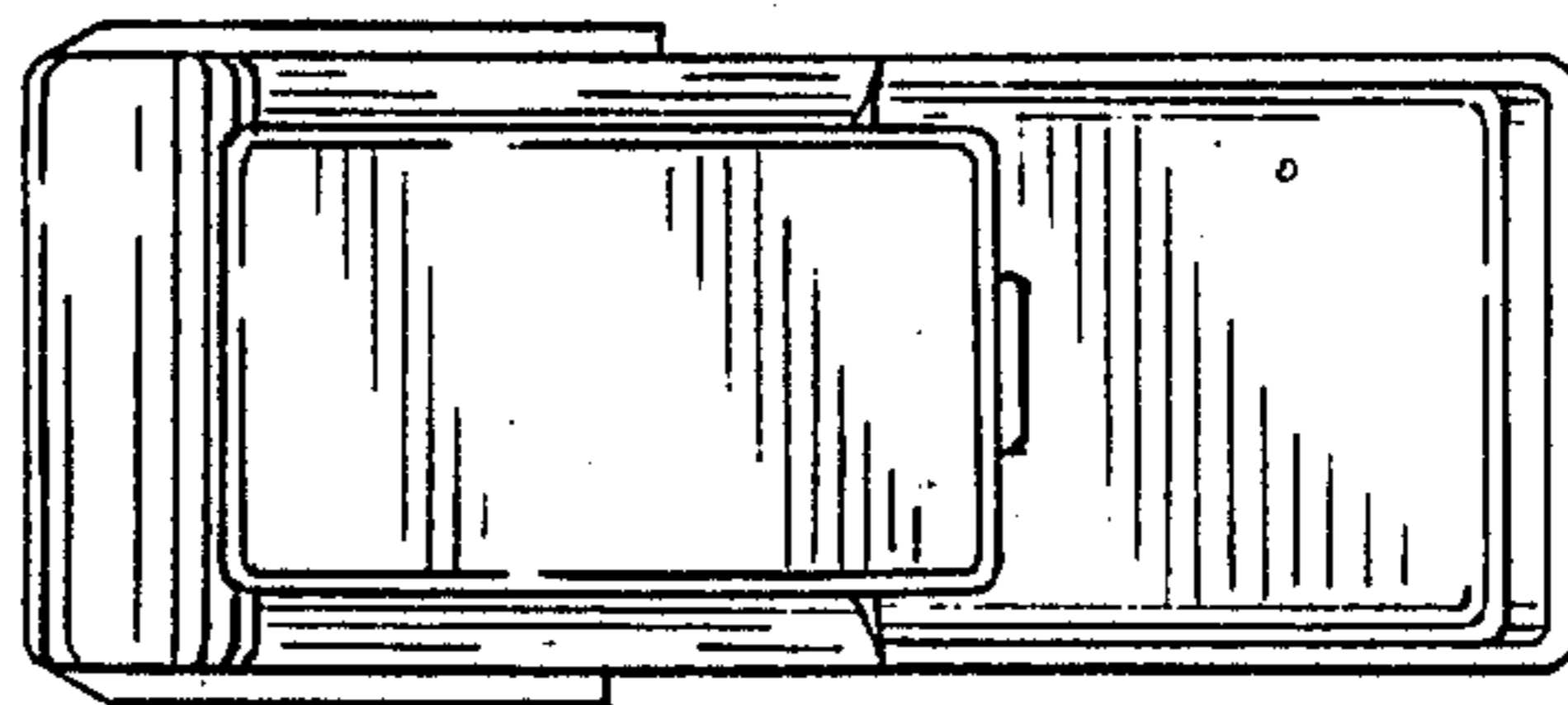


FIG. 12.

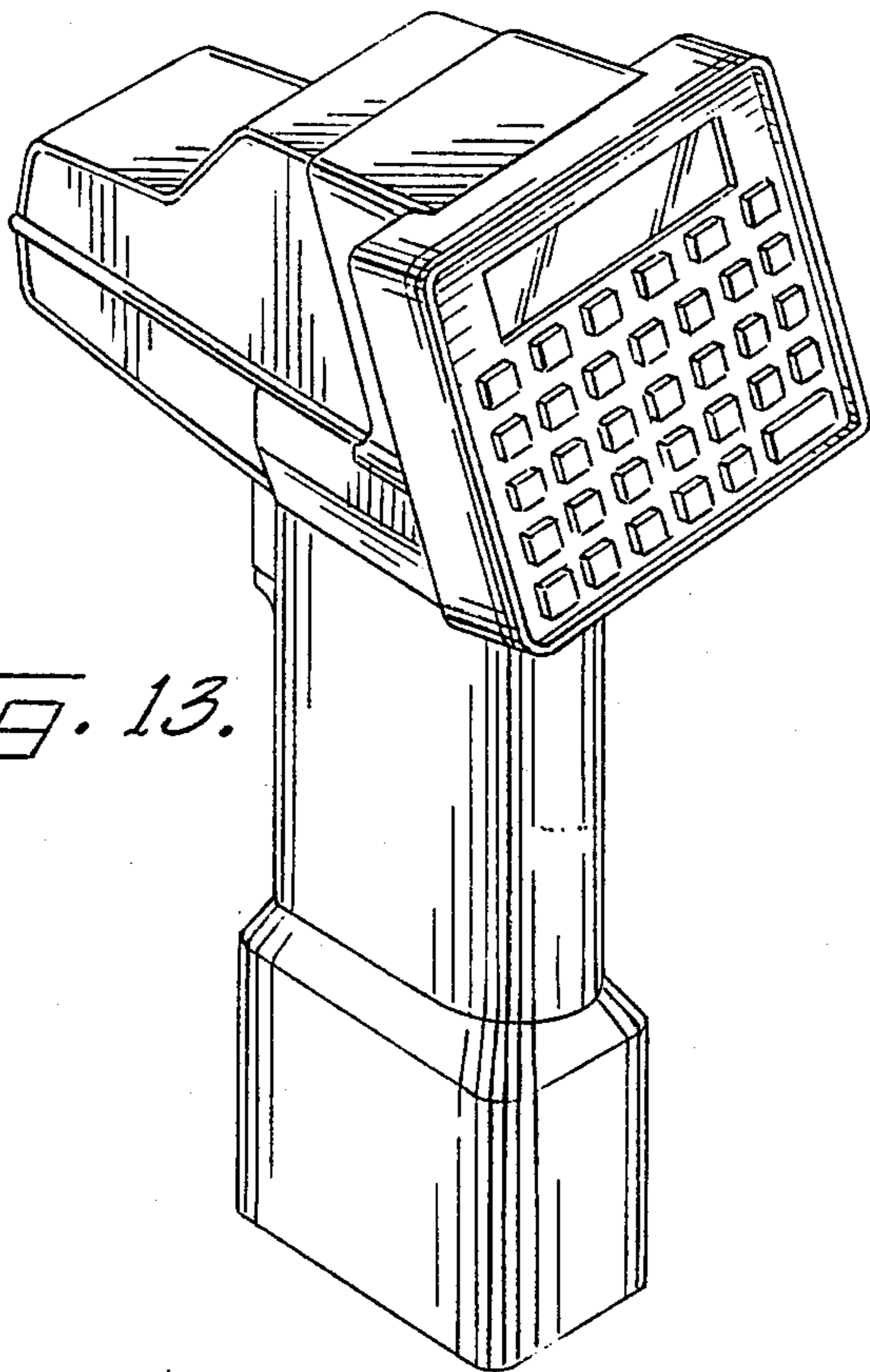


FIG. 13.

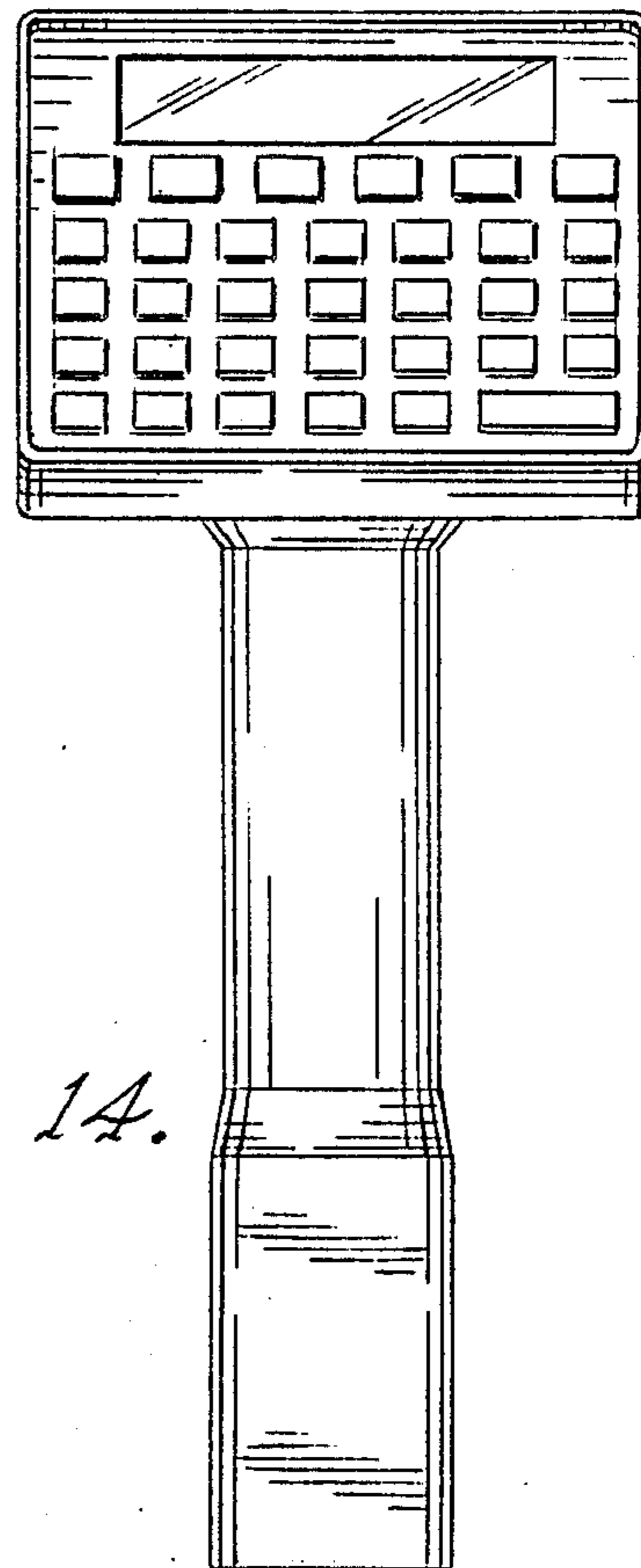


FIG. 14.

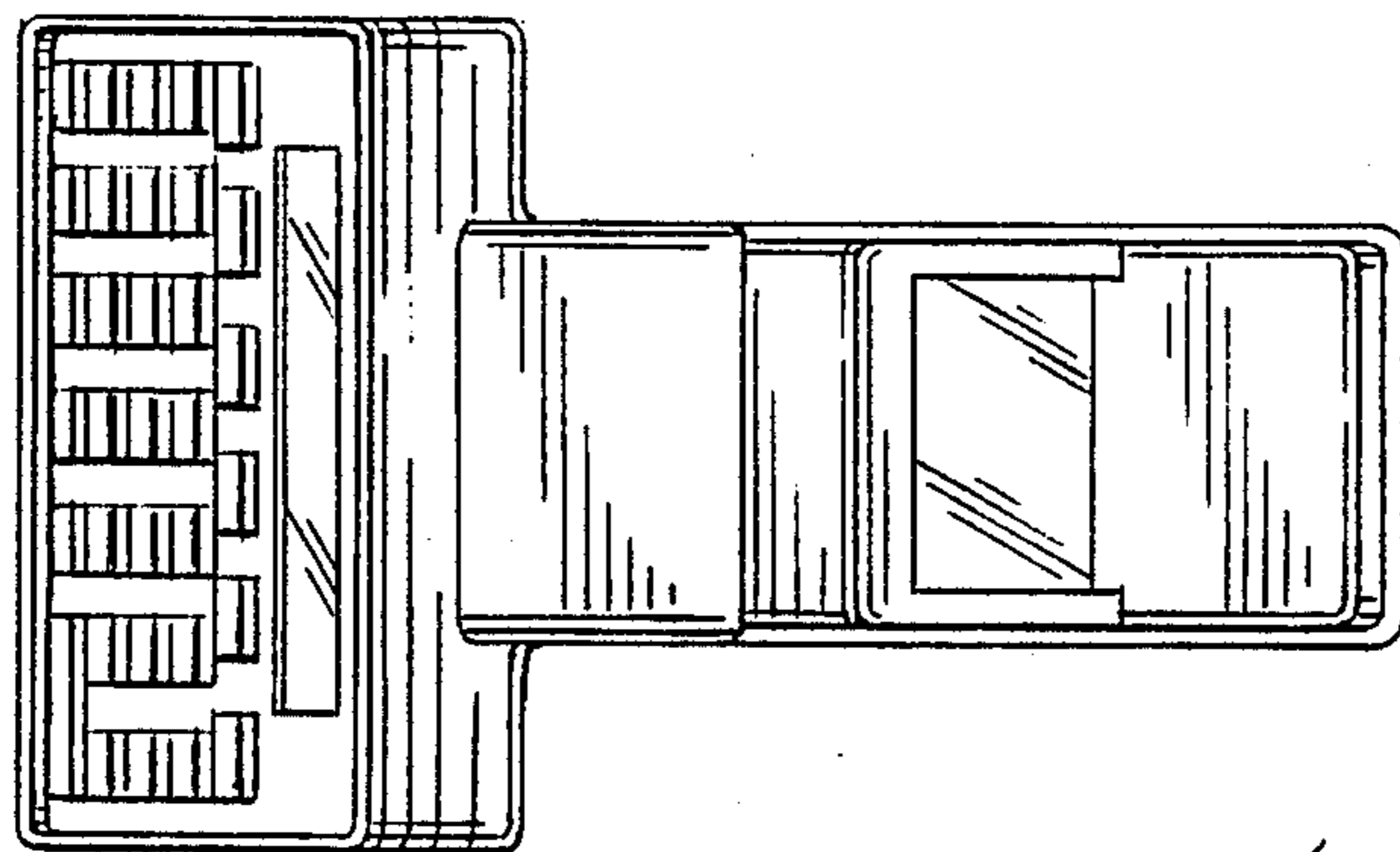


FIG. 15.

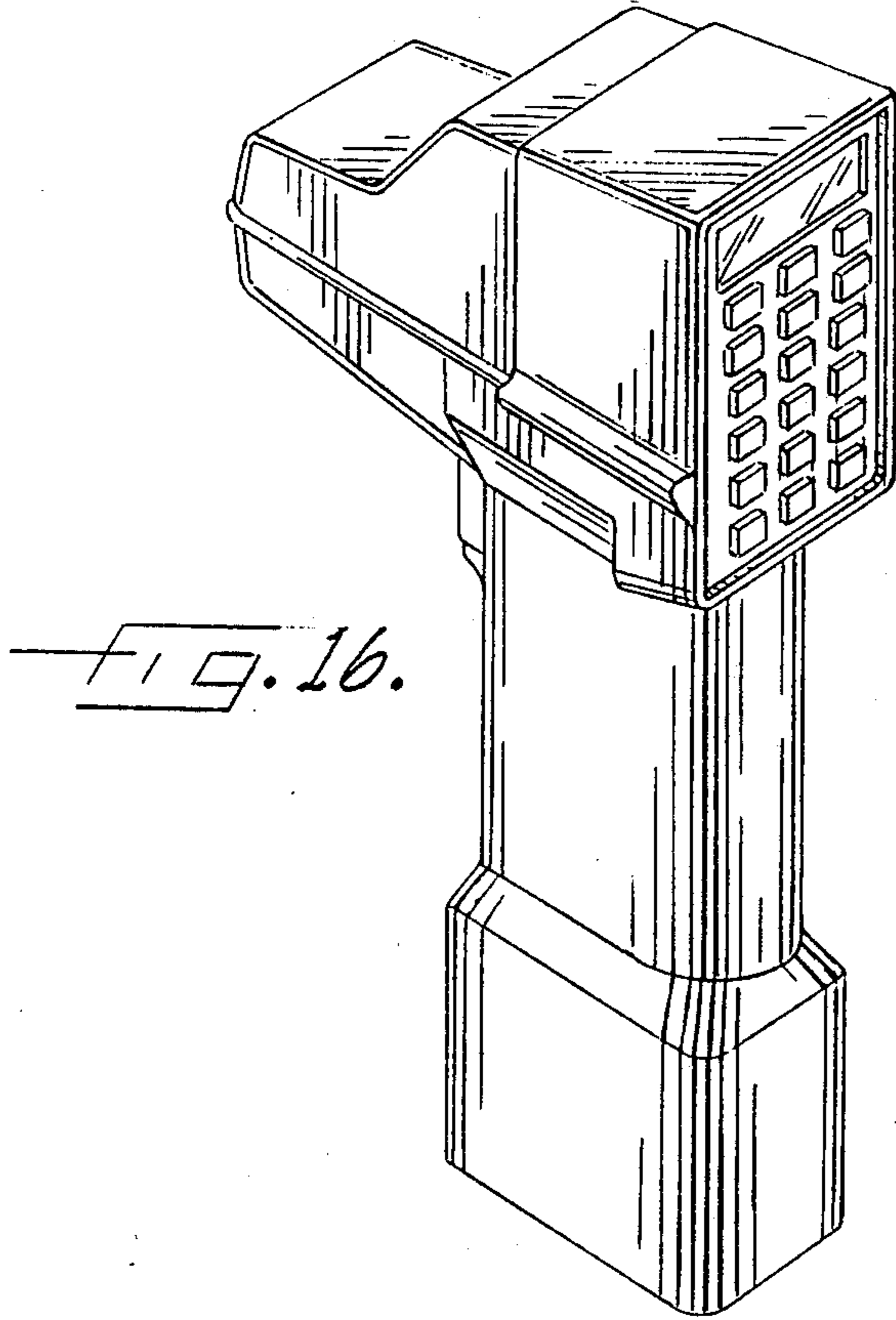


FIG. 16.

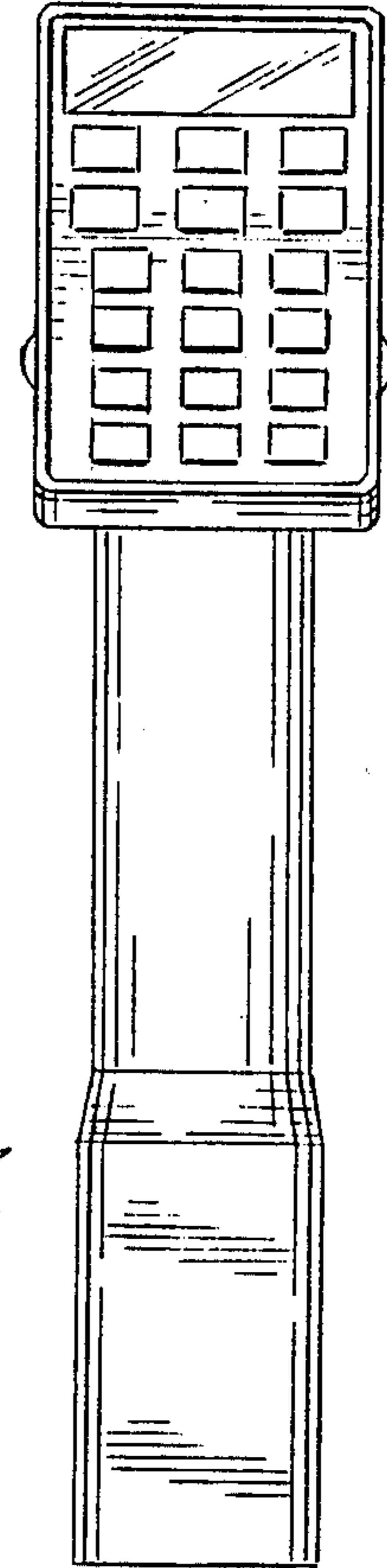


FIG. 17.

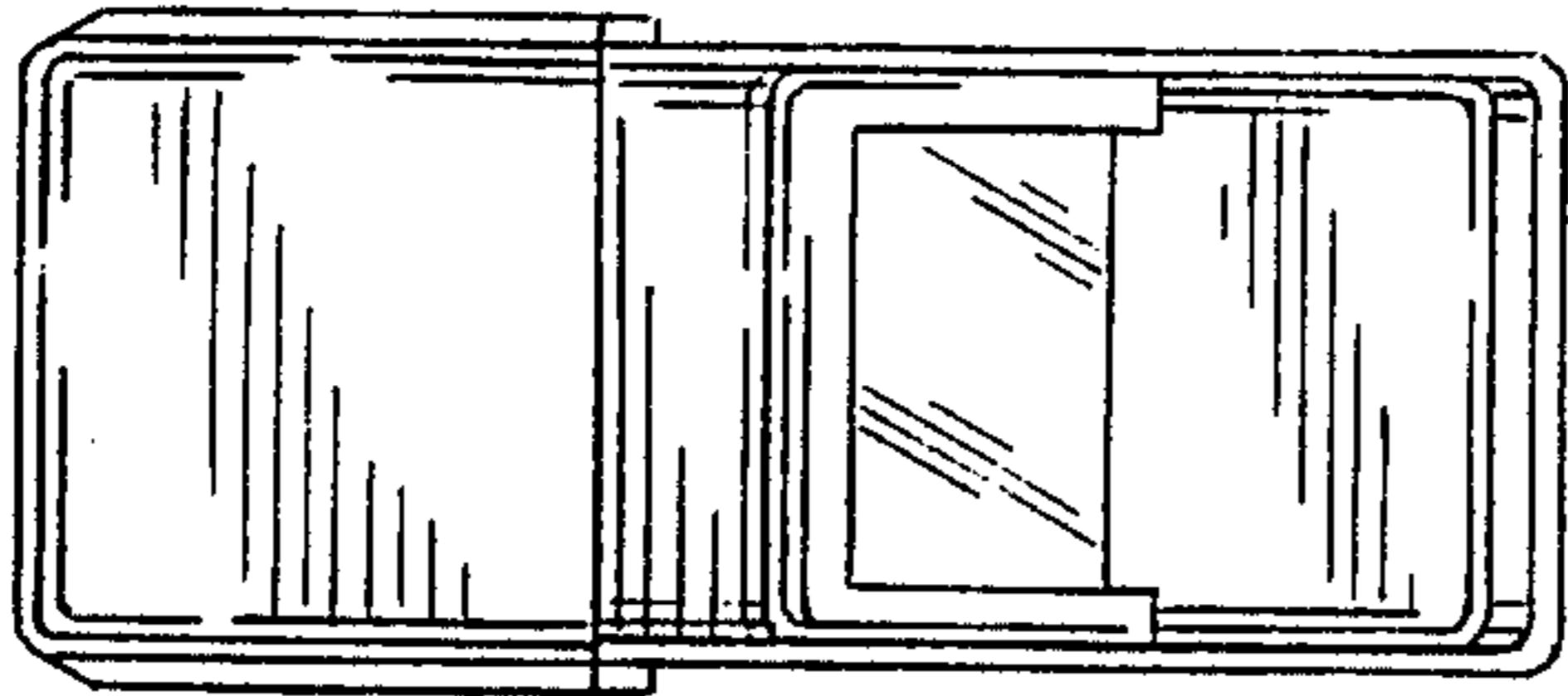


FIG. 18.