

[54] **FINGERPRINT READER**

[75] Inventors: **Leon Soren, Lincolnwood; Darrell N. Chelcun, Buffalo Grove, both of Ill.**

[73] Assignee: **Thumb Scan, Inc., South Lombard, Ill.**

[**] Term: **14 Years**

[21] Appl. No.: **61,989**

[22] Filed: **Jun. 12, 1987**

[52] U.S. Cl. **D14/107**

[58] Field of Search **D14/100, 105, 107, 114, D14/116; 235/462, 454, 470, 472, 471, 473, 475, 479; 250/203 R, 566, 568, 569, 239; 358/408, 473, 474, 497; 354/80, 81, 82; 355/231, 233; 382/58, 59, 62, 63, 65, 4**

4,336,998 6/1982 Ruell 382/4 X
 4,394,773 7/1983 Ruell 382/4
 4,701,959 10/1987 Asai et al. 382/4 X
 4,784,484 11/1988 Jensen 382/4 X

Primary Examiner—Susan J. Lucas
Assistant Examiner—Freda S. Nunn
Attorney, Agent, or Firm—Neuman, Williams Anderson & Olson

[56] **References Cited**

U.S. PATENT DOCUMENTS

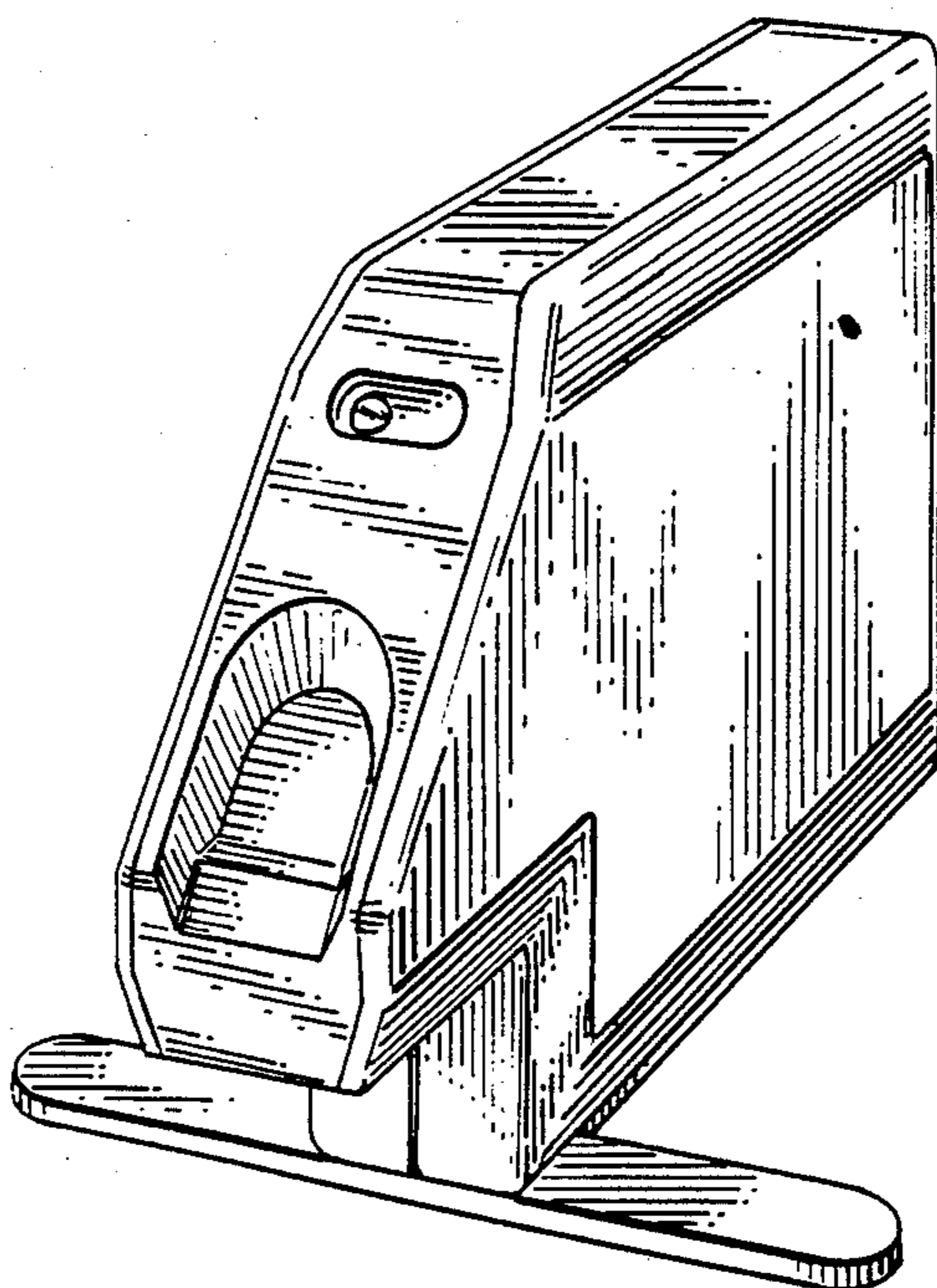
3,482,498 12/1969 Becker 382/4 X
 3,585,594 6/1971 Schwend 236/380
 3,975,711 8/1976 McMatton 382/65 X

[57] **CLAIM**

The ornamental design for a fingerprint reader, as shown and described.

DESCRIPTION

FIG. 1 is a perspective view of a fingerprint reader showing our new design;
 FIG. 2 is a front elevational view thereof;
 FIG. 3 is a right-hand side elevational view thereof;
 FIG. 4 is a top plan view thereof;
 FIG. 5 is a left-hand side elevational view thereof;
 FIG. 6 is a rear elevational view thereof.
 FIG. 7 is a bottom plan view thereof.



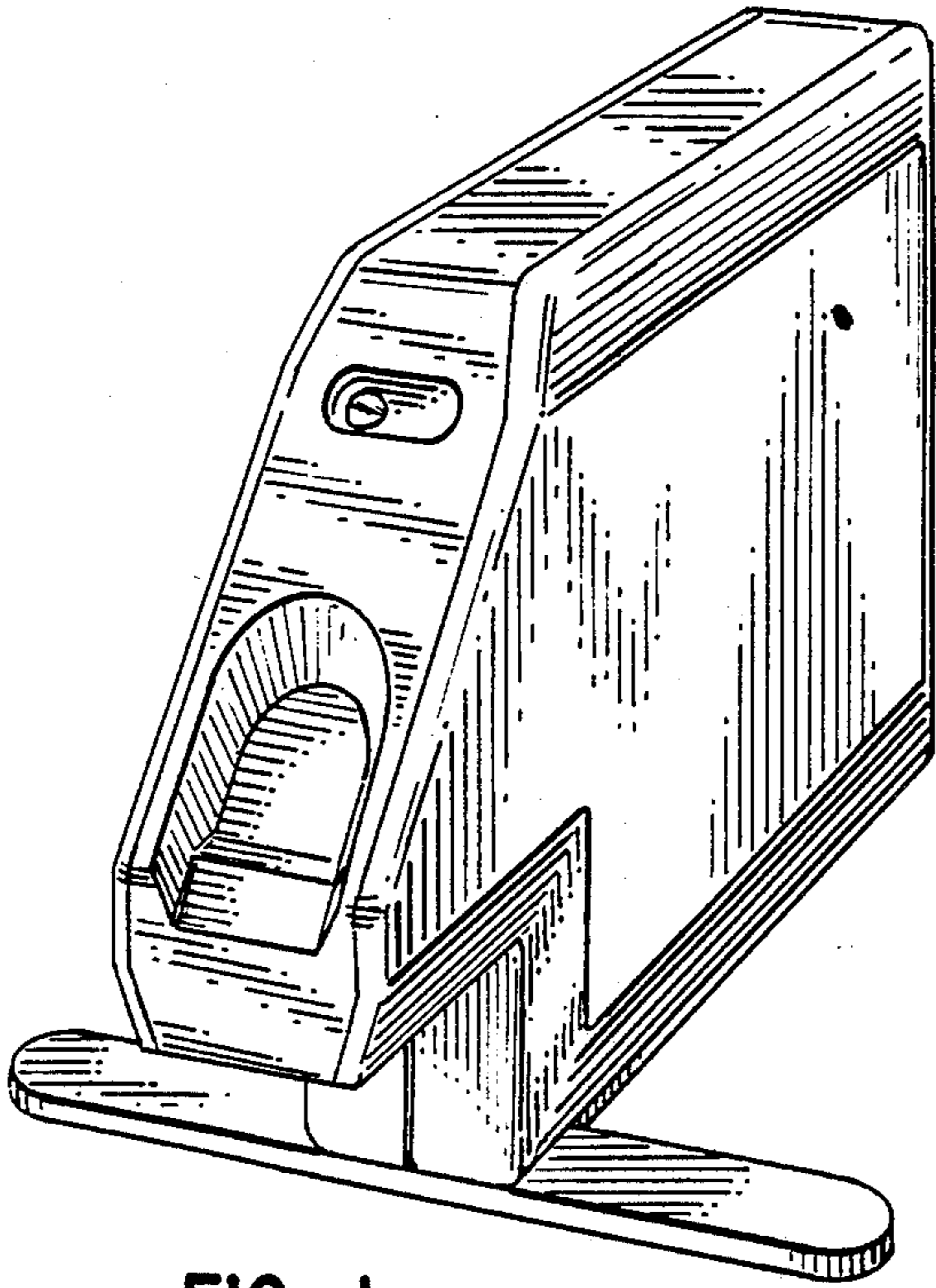


FIG. 1

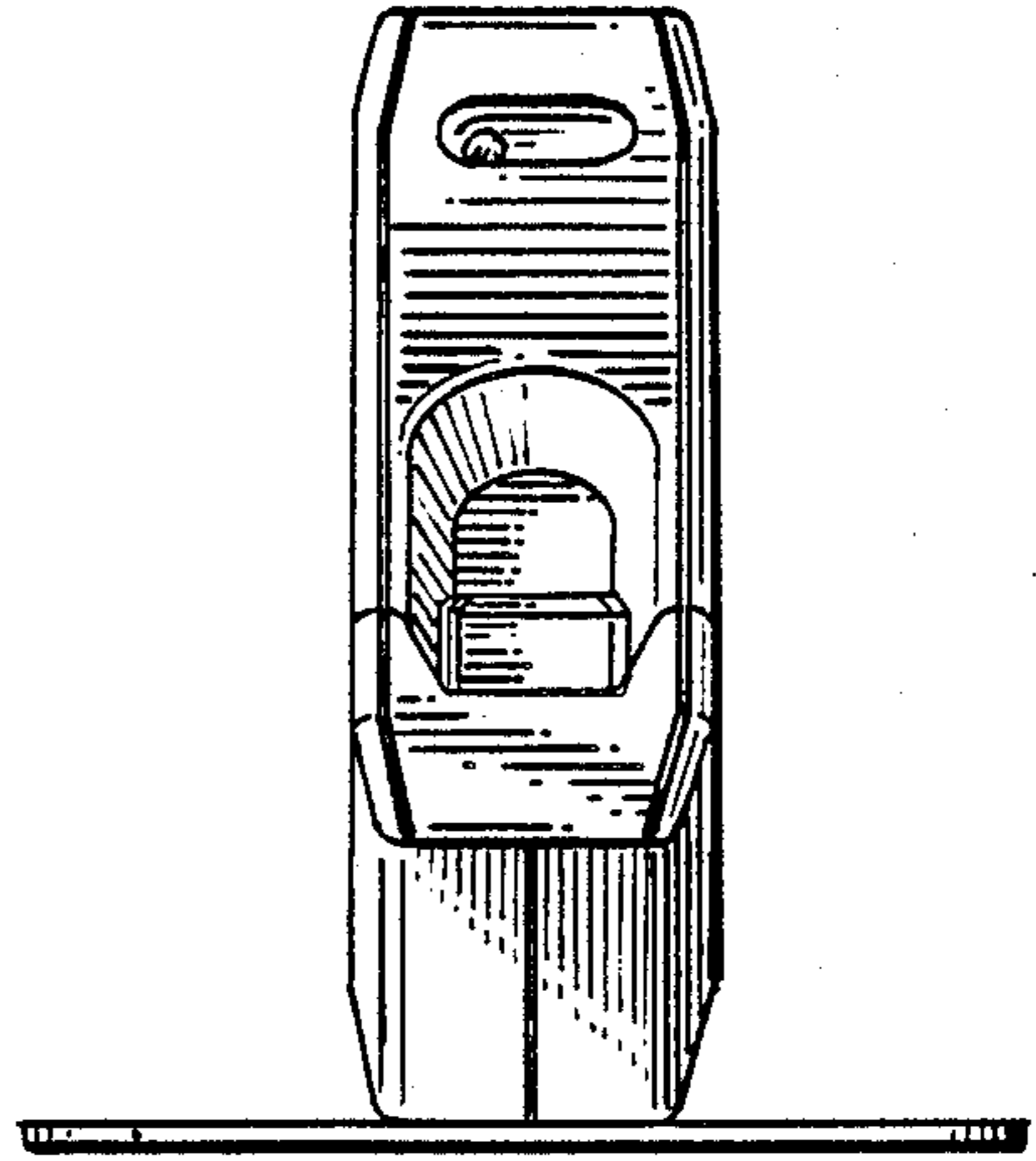


FIG. 2

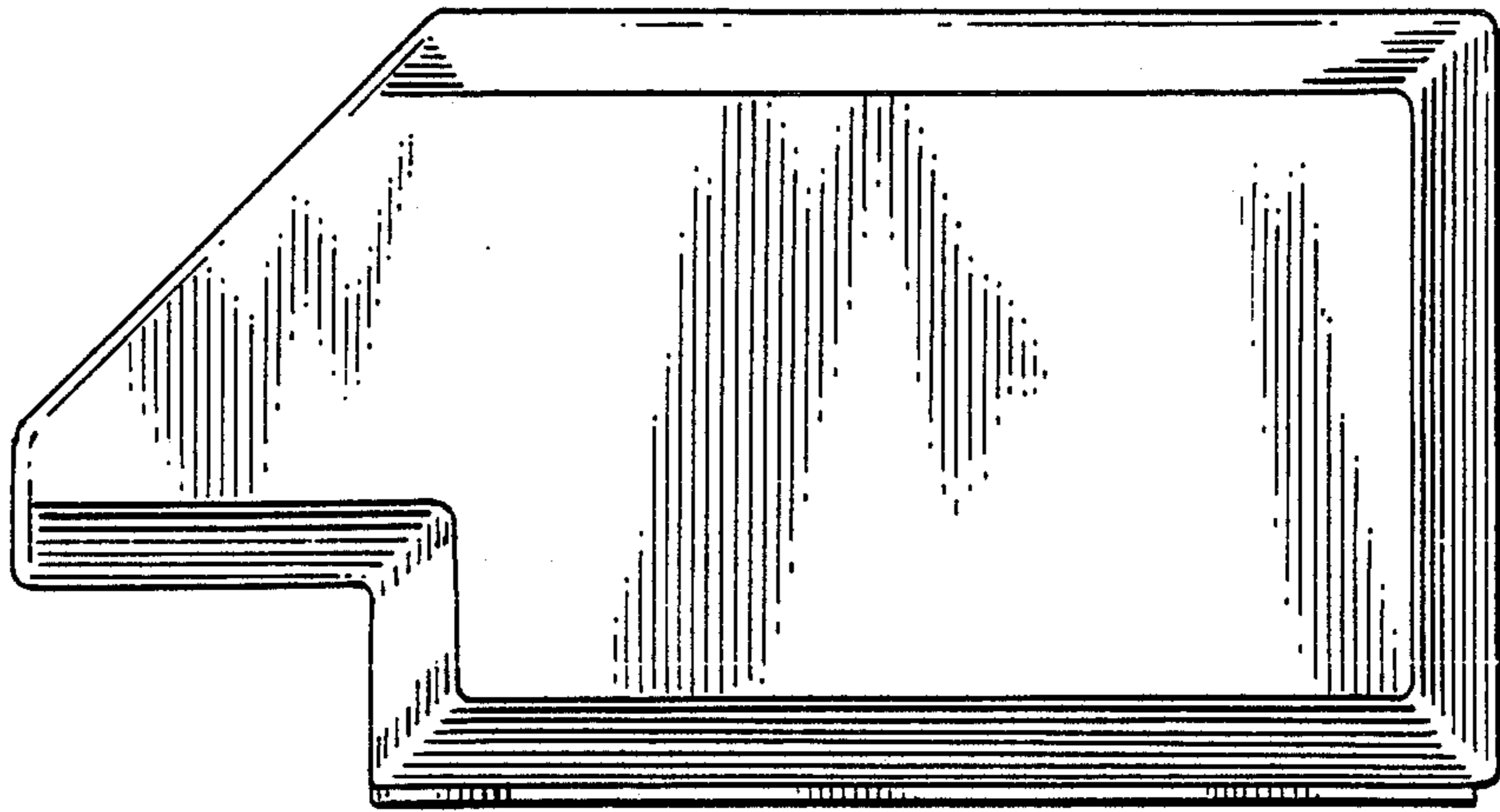


FIG. 3

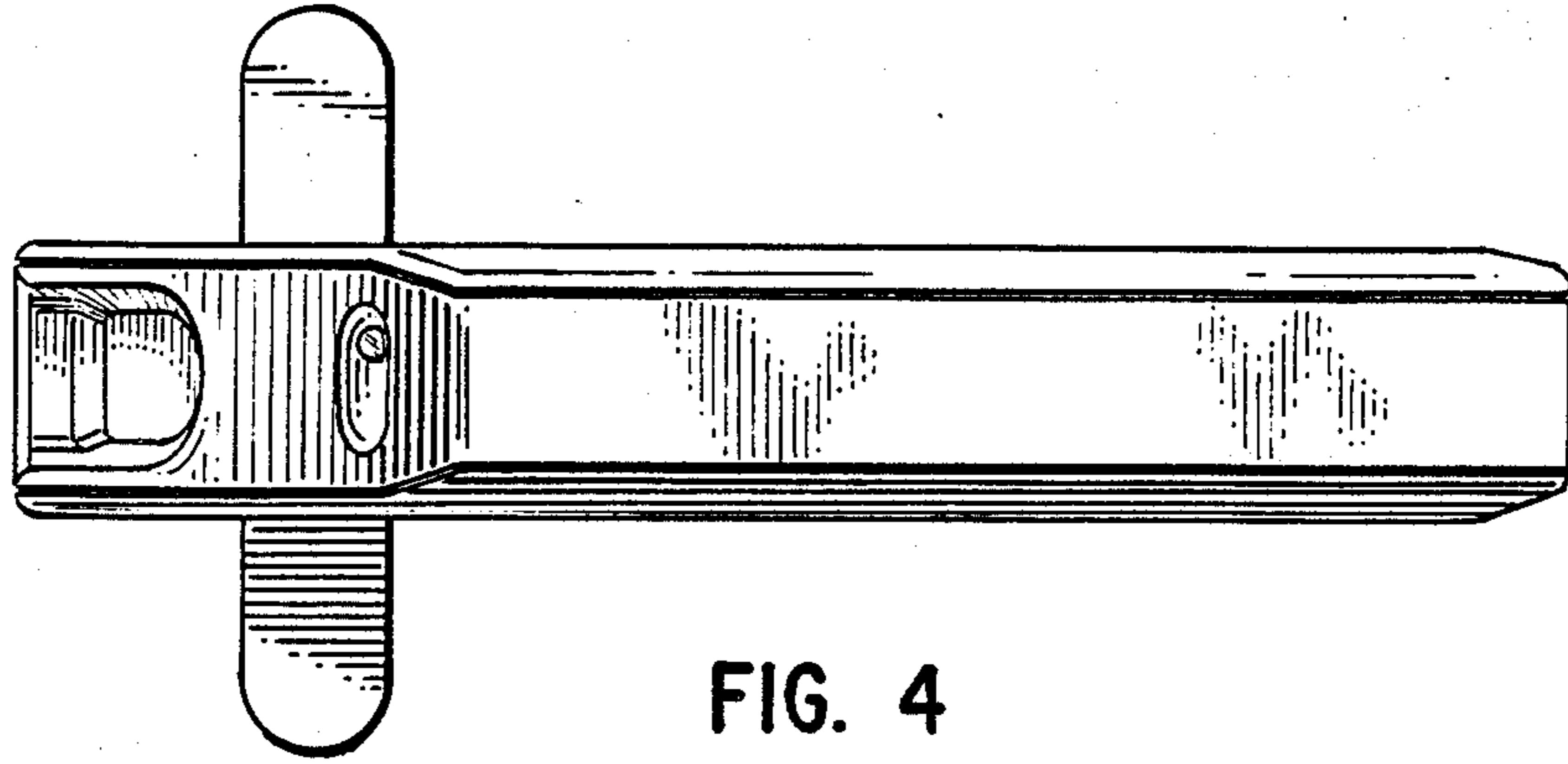


FIG. 4

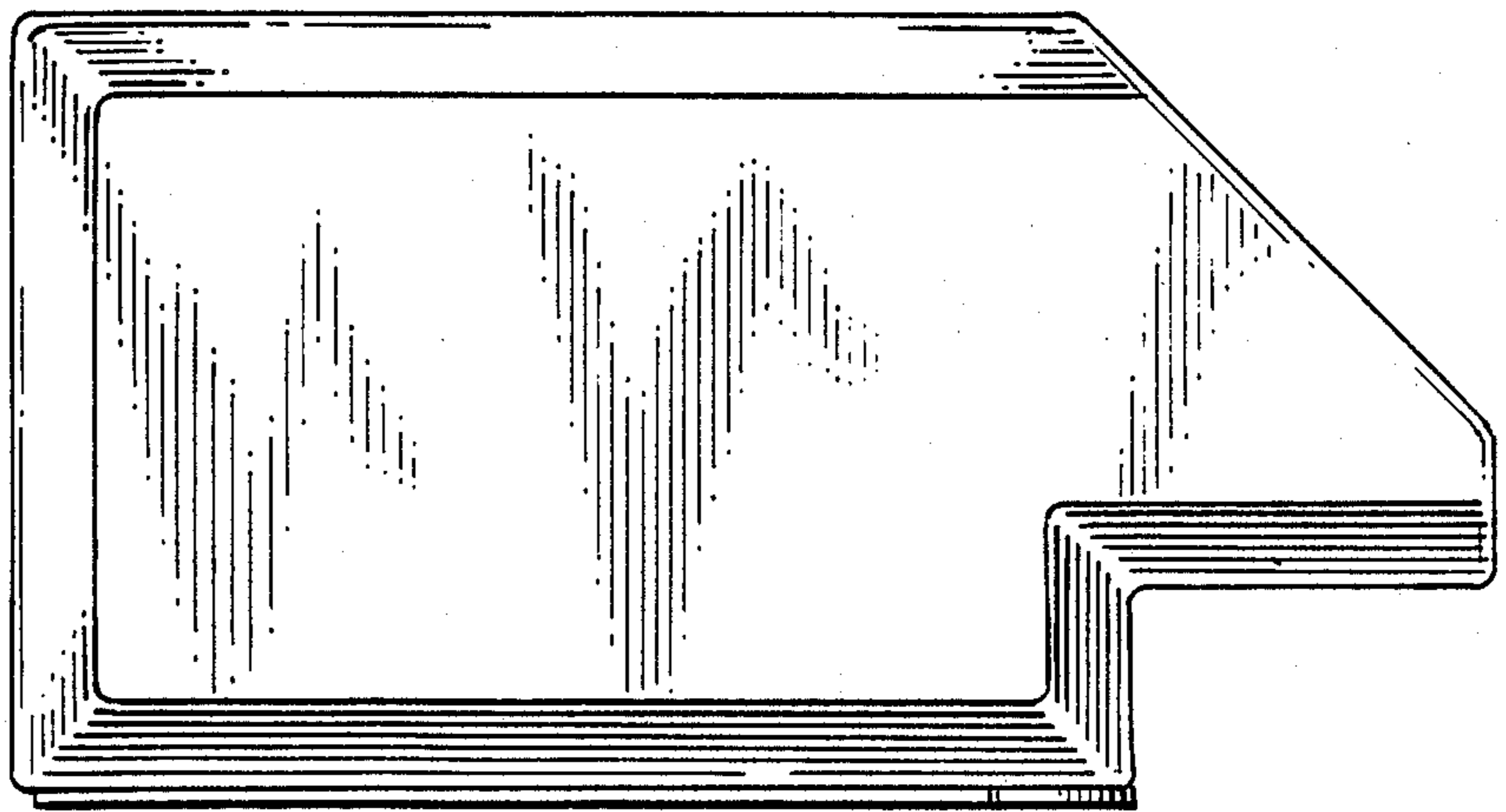


FIG. 5

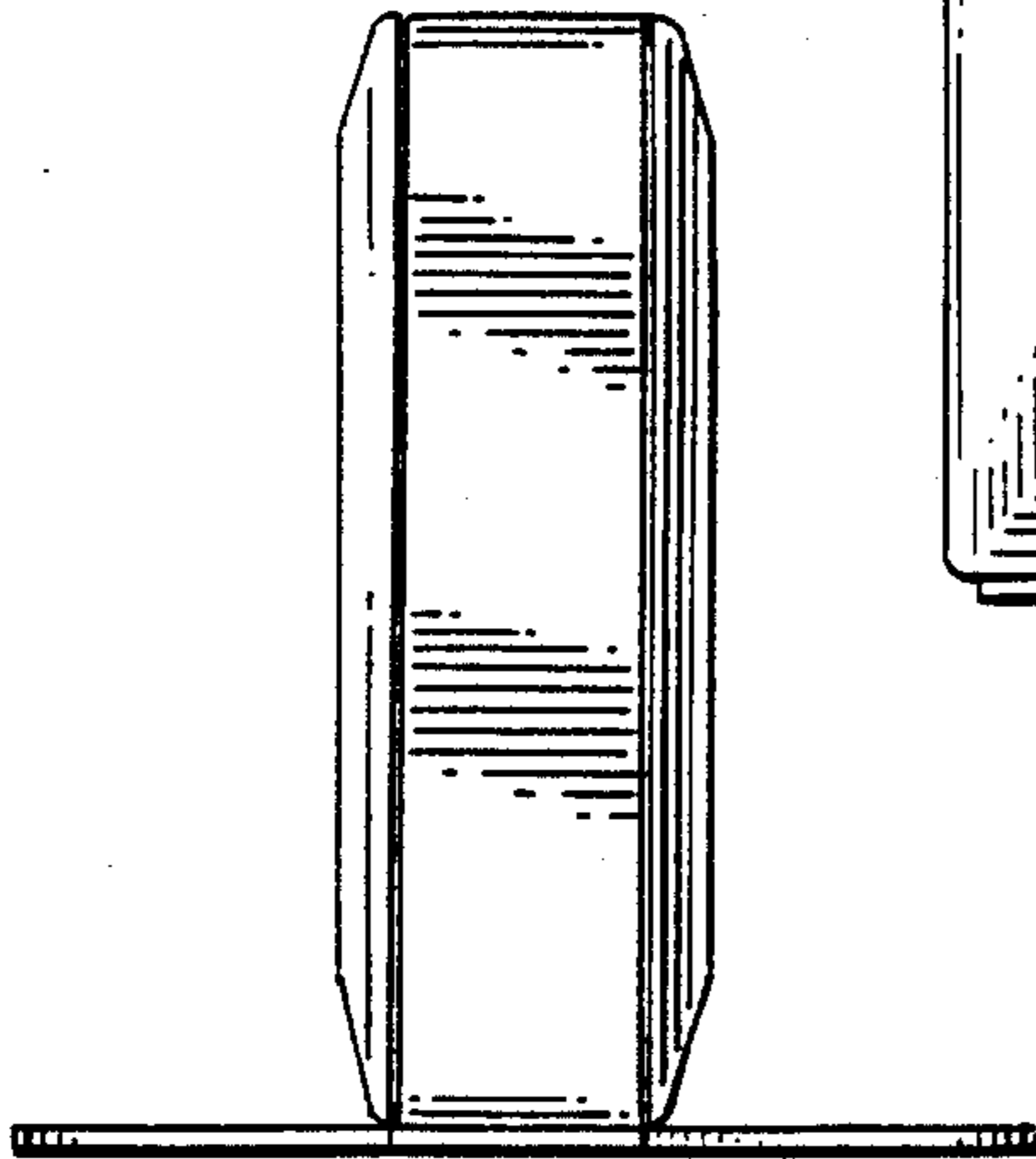


FIG. 6

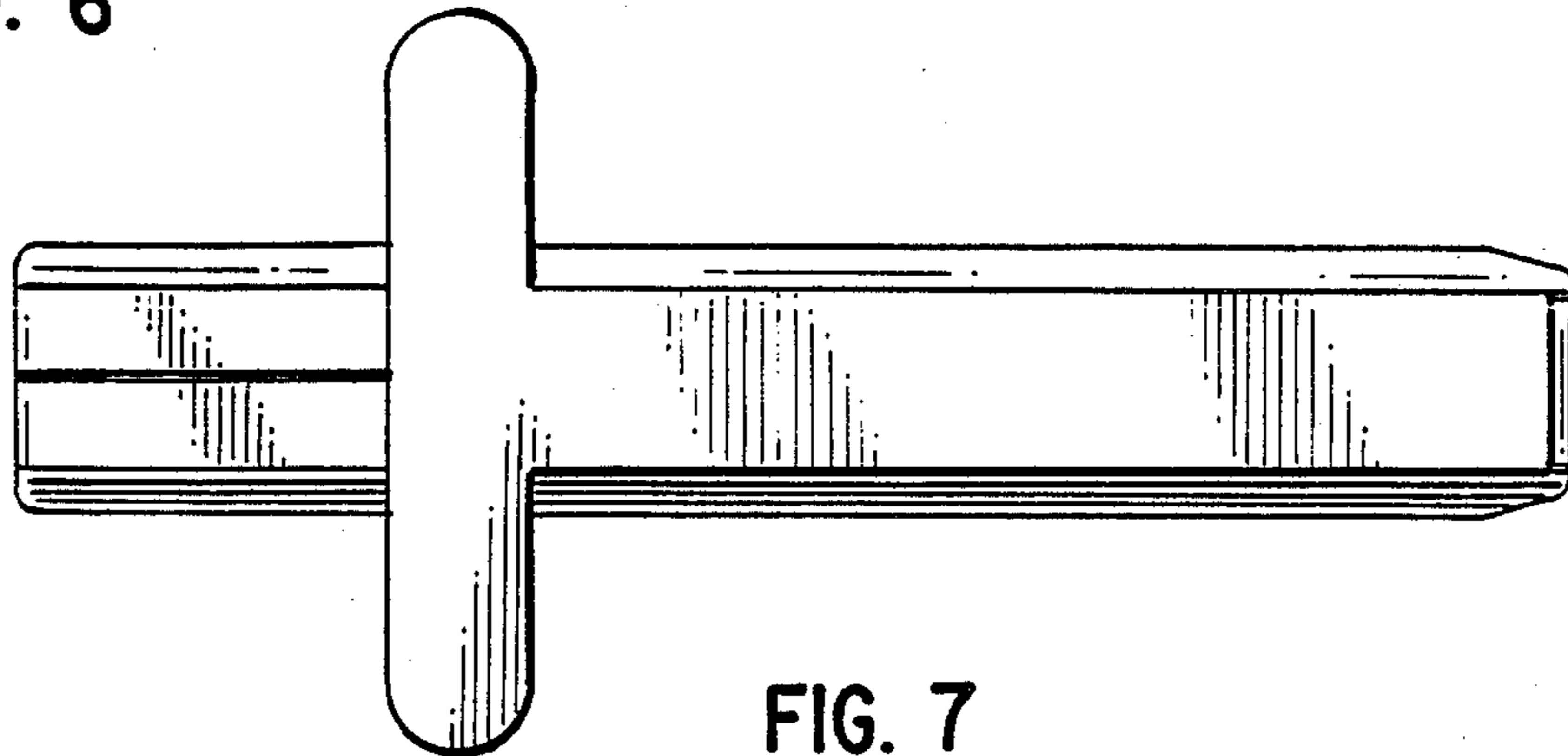


FIG. 7