

[54] ADAPTOR PLATE FOR ATTACHING
OUTBOARD MOTORS TO MOTOR
SUPPORT BRACKETS

3,106,375 10/1963 Donaldson 248/643
4,669,698 6/1987 McGuire 248/641

[76] Inventor: Michael J. McGuire, P.O. Box 1250,
Milan, Ohio 44846

Primary Examiner—Wallace R. Burke
Assistant Examiner—Kay H. Chin
Attorney, Agent, or Firm—Fay, Sharpe, Beall, Fagan,
Minnich & McKee

[**] Term: 14 Years

[57] CLAIM

[21] Appl. No.: 122,426

The ornamental design for an adaptor plate for attach-
ing outboard motors to motor support brackets, as
shown.

[22] Filed: Nov. 19, 1987

[52] U.S. Cl. D12/317; D15/4

[58] Field of Search D12/317; D15/4;
248/643, 640, 641

DESCRIPTION

[56] References Cited

U.S. PATENT DOCUMENTS

2,468,287	4/1949	Bohler	248/640
2,660,385	11/1953	Moran	248/643
3,003,725	10/1961	Woolbright	248/643
3,025,028	3/1962	Corbin, Jr. et al.	248/643

FIG. 1 is a perspective view of an adaptor plate for
attaching outboard motors to motor support brackets
showing my new design;

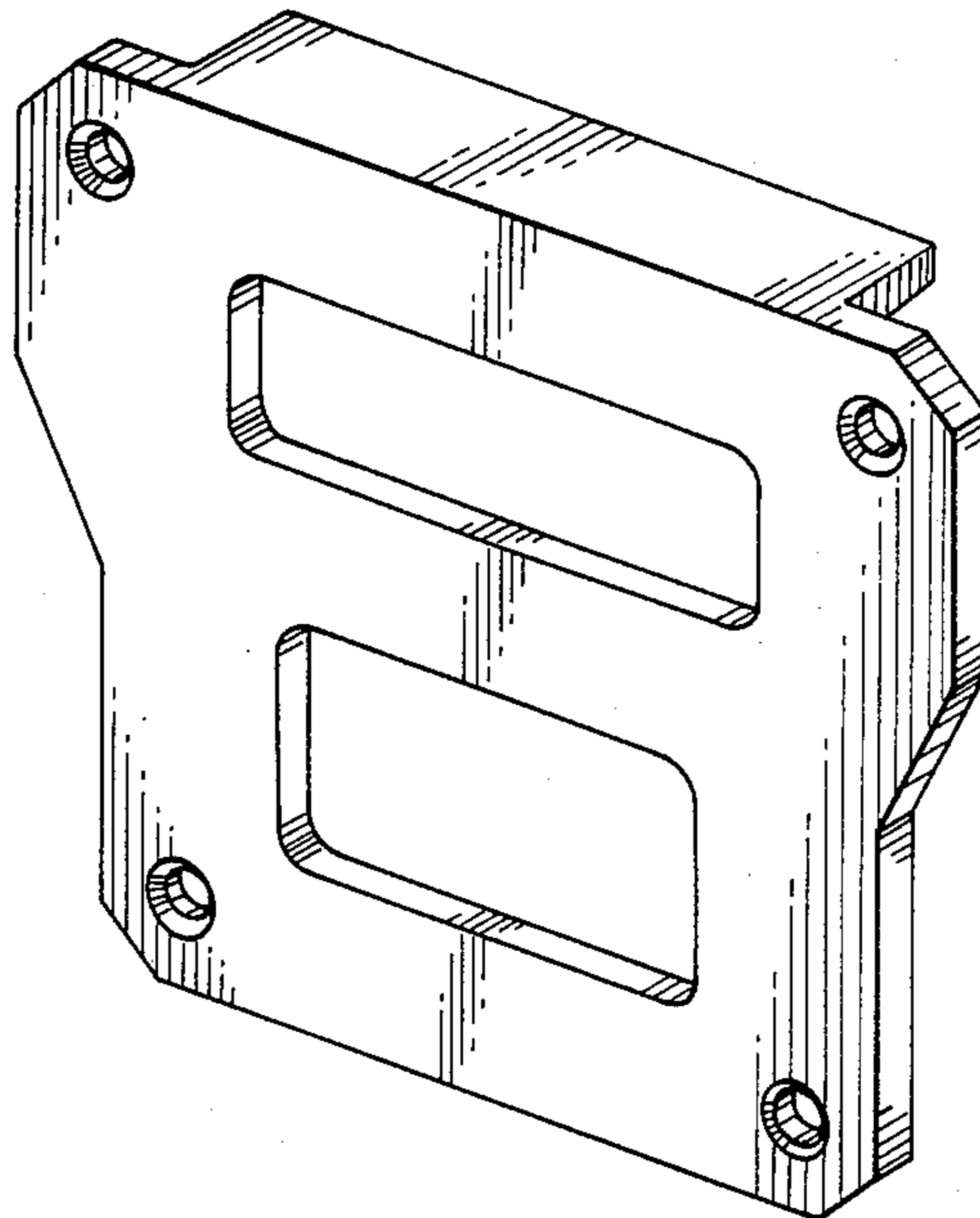
FIG. 2 is a front elevational view thereof;

FIG. 3 is a top plan view thereof;

FIG. 4 is a bottom plan view thereof;

FIG. 5 is a side elevational view thereof; and

FIG. 6 is a rear elevational view thereof.



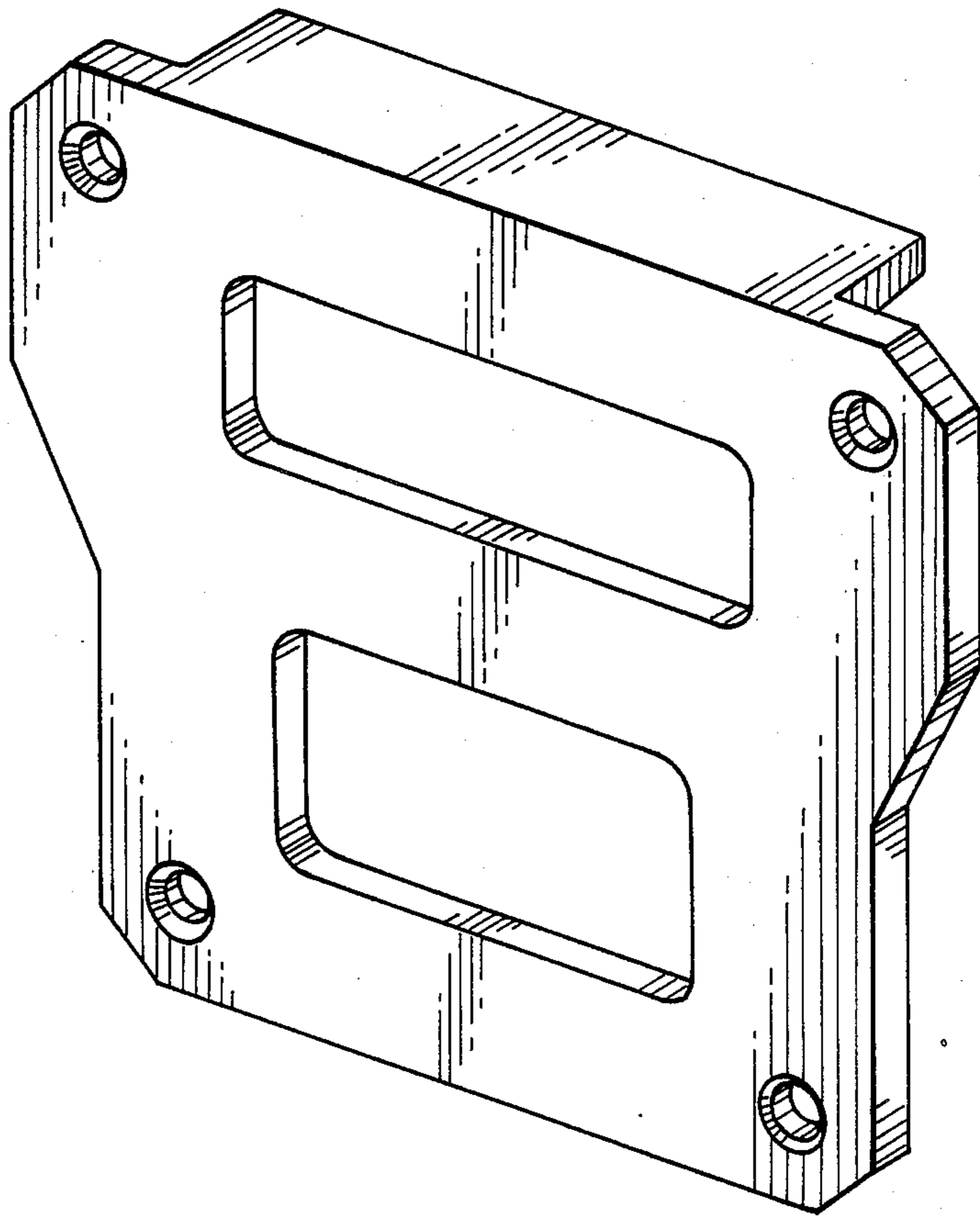


FIG. 1

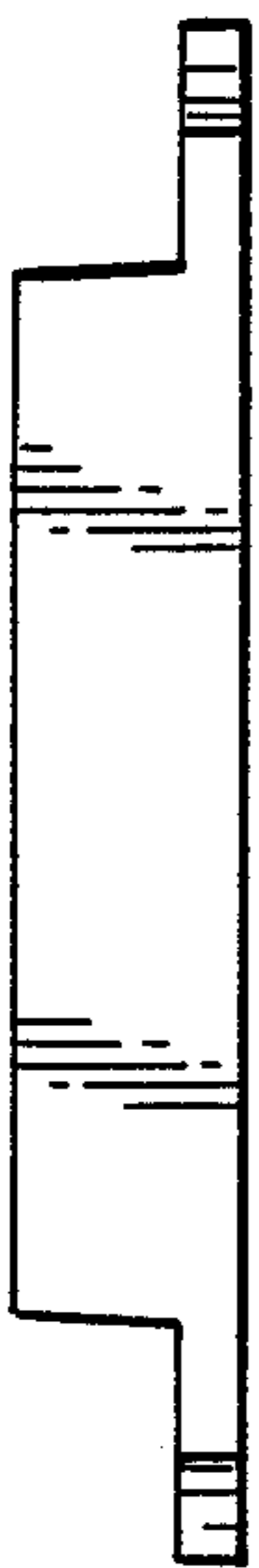


FIG. 3

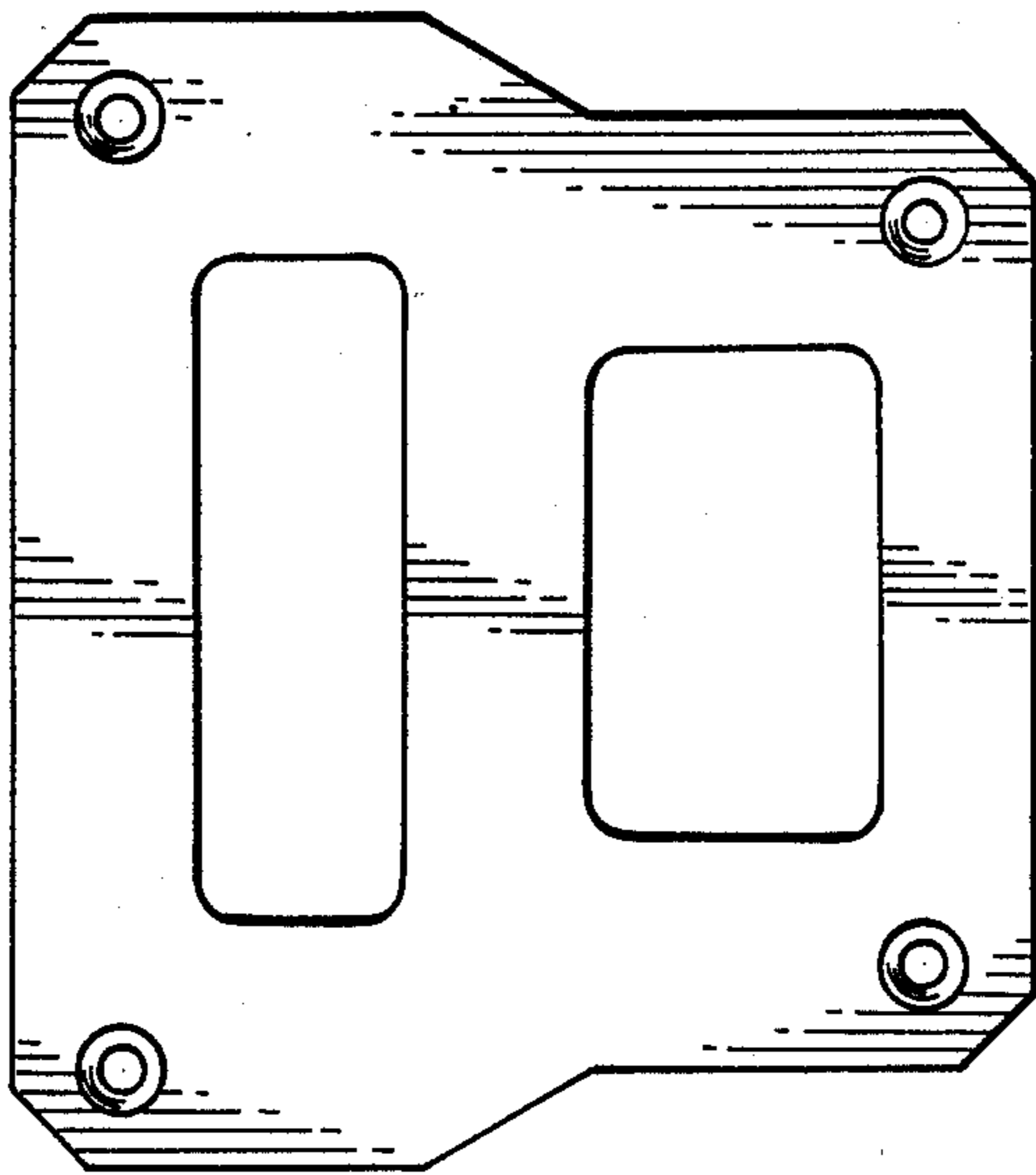


FIG. 2



FIG. 4



FIG. 5

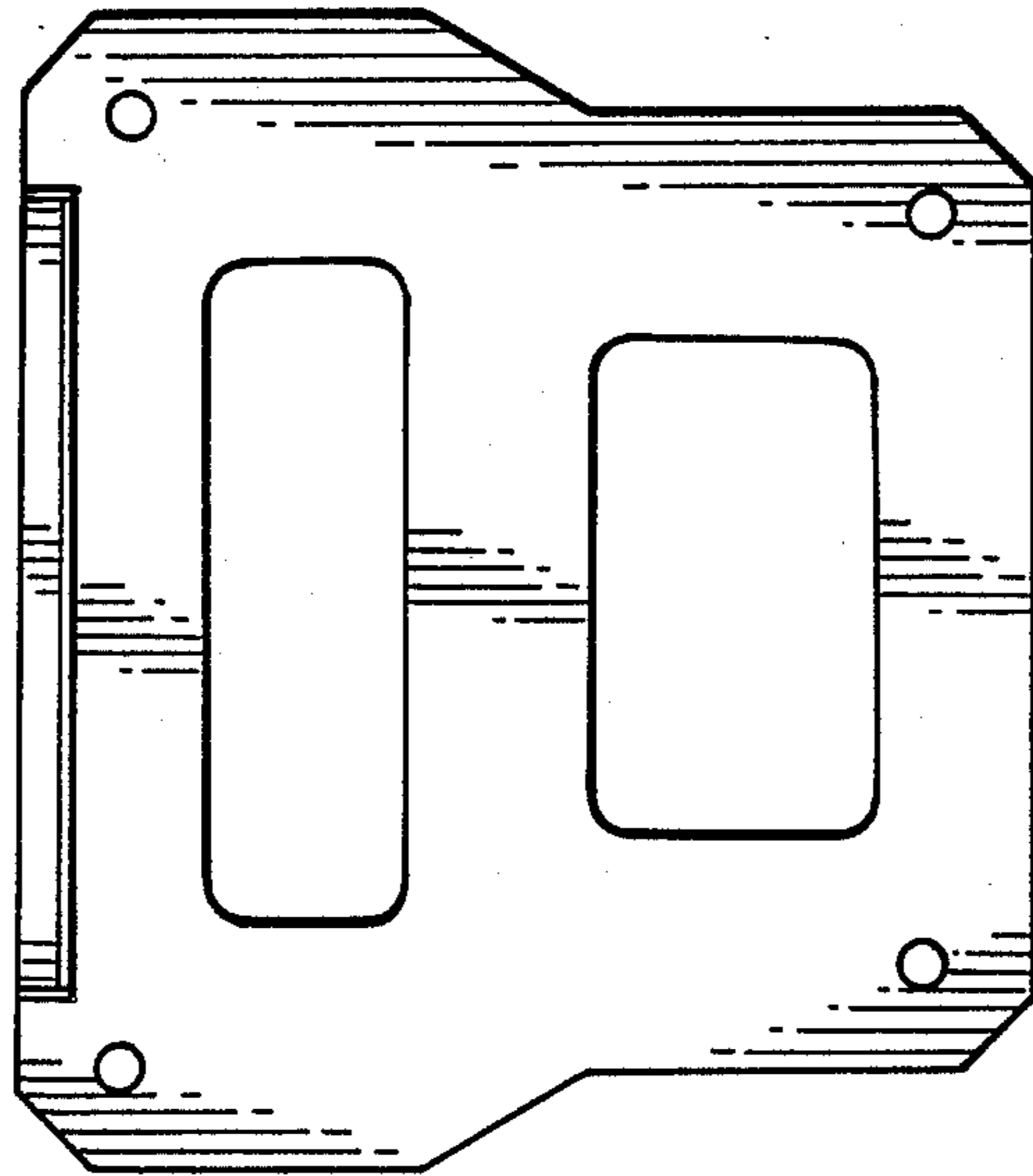


FIG. 6