

[54] **LICENSE PLATE STICKER LOCK**

[76] **Inventors: William H. Short, 8504 Blossom La., Dallas, Tex. 75227; Billy V. Short, 847 Wideman, Dallas, Tex. 75217**

[\*\*] **Term: 14 Years**

[21] **Appl. No.: 153,797**

[22] **Filed: Feb. 8, 1988**

[52] **U.S. Cl. .... D12/193**

[58] **Field of Search ..... D12/193; D6/300, 314; 40/201, 207, 209, 643**

[56]

**References Cited**

**U.S. PATENT DOCUMENTS**

D. 133,930 9/1942 Harrison ..... 40/207  
2,538,083 1/1951 Caffrey ..... 40/207

*Primary Examiner*—James M. Gandy  
*Attorney, Agent, or Firm*—Jerry T. Kearns

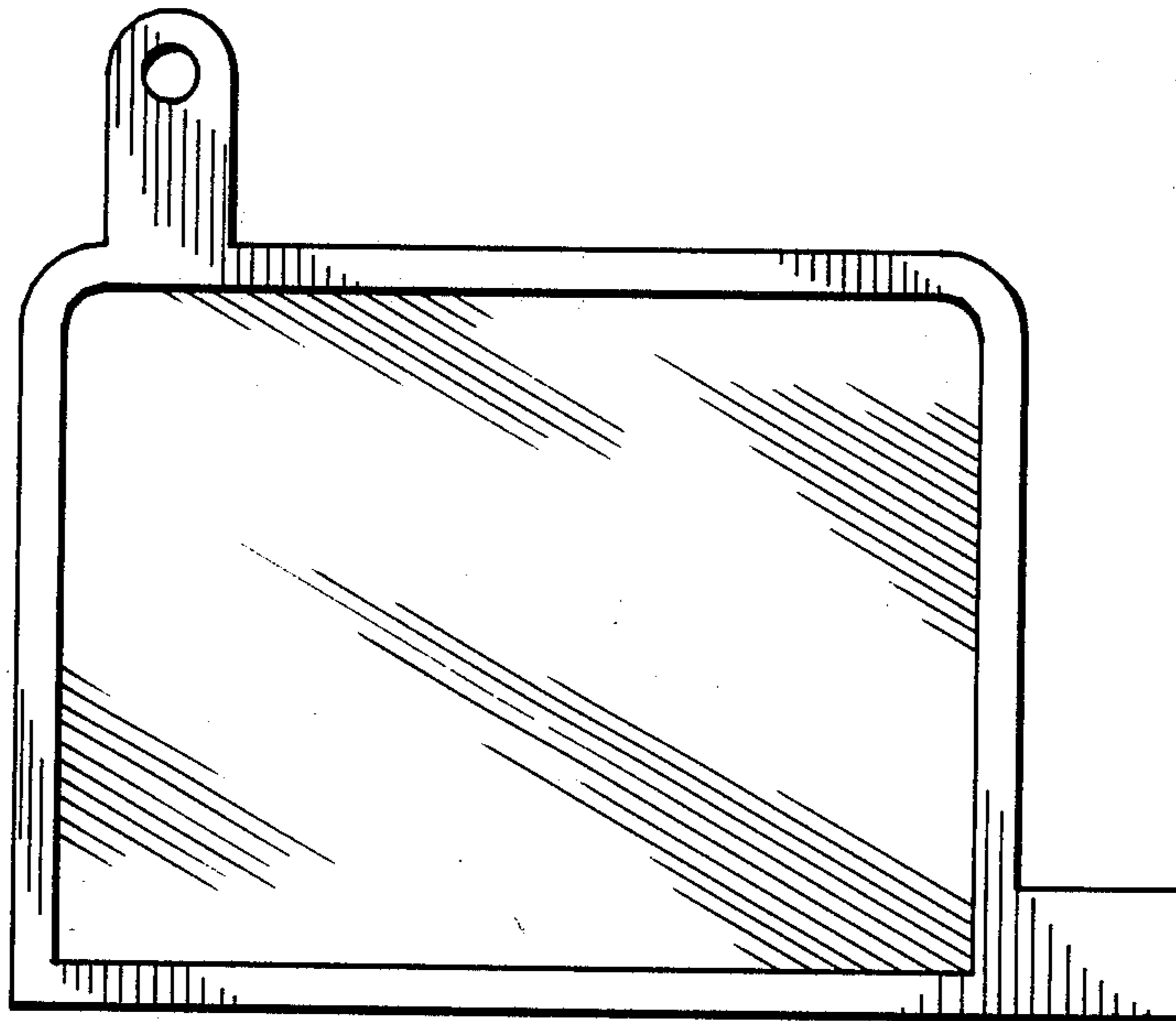
[57]

**CLAIM**

The ornamental design for a license plate sticker lock, as shown.

**DESCRIPTION**

FIG. 1 is a front elevational view of a license plate sticker lock showing our new design; FIG. 2 is a rear elevational view thereof; FIG. 3 is a left side elevational view thereof; FIG. 4 is a right side elevational view thereof; FIG. 5 is a top plan view thereof; and, FIG. 6 is a bottom plan view thereof.



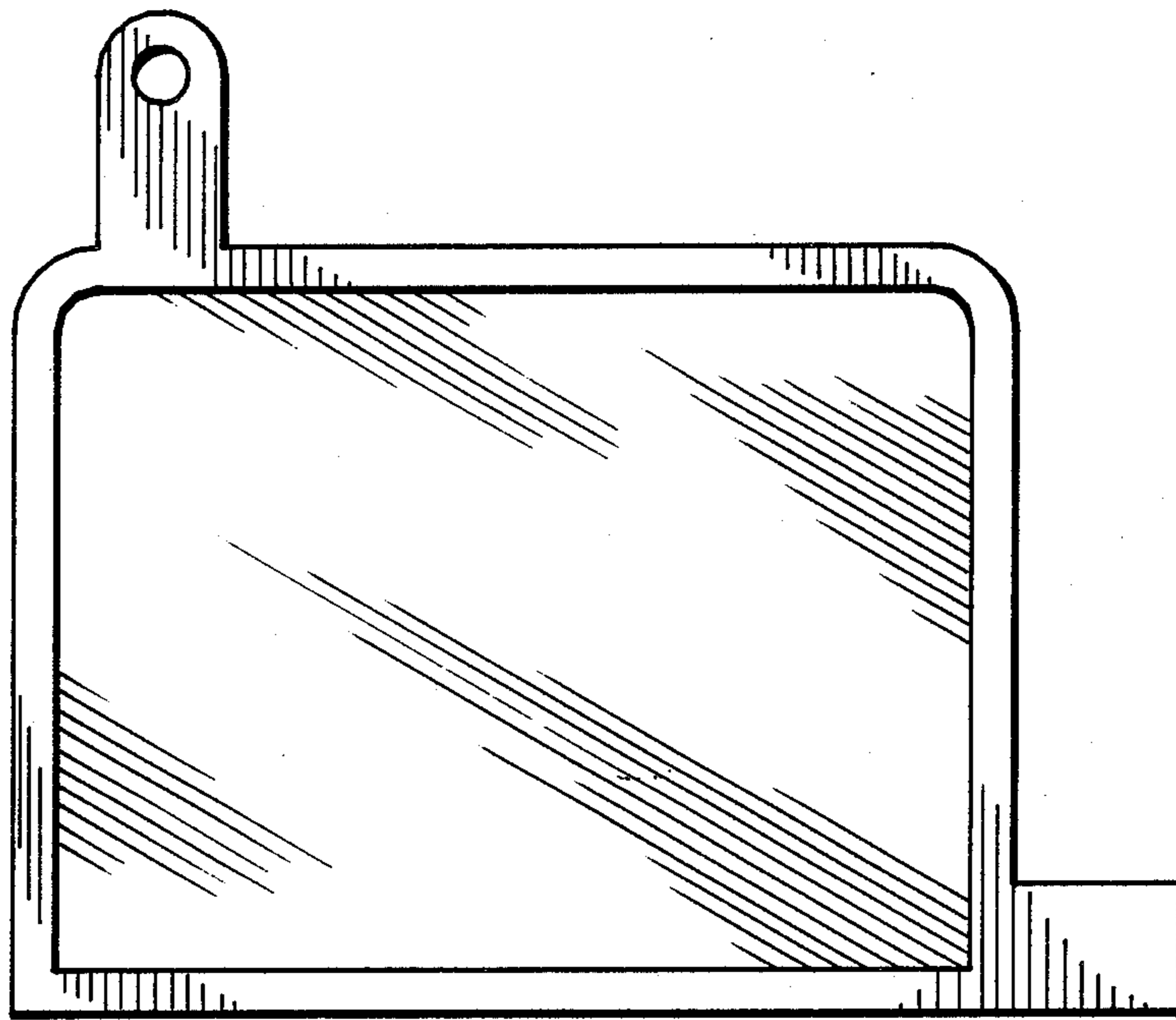


Fig. 1

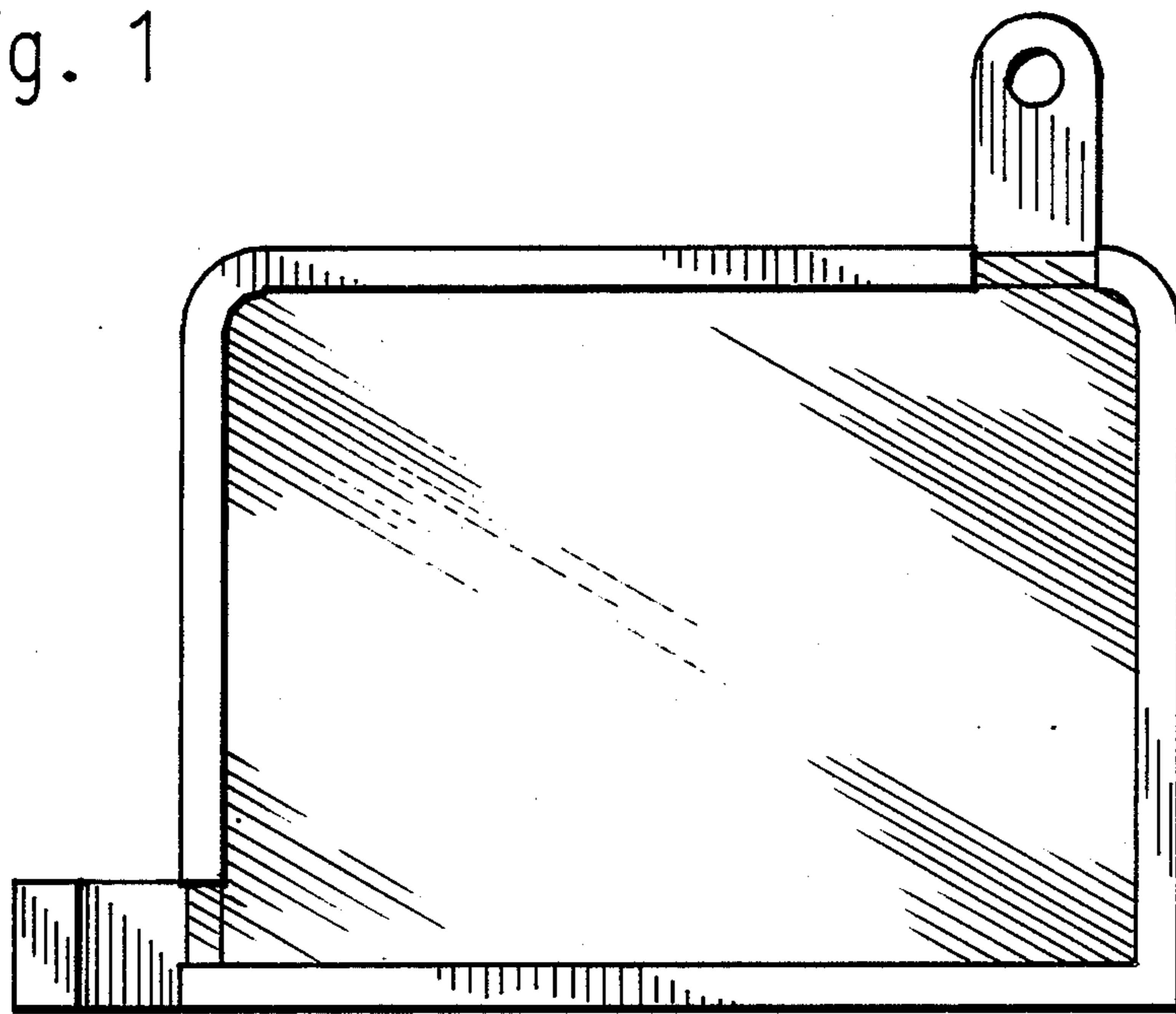


Fig. 2



Fig. 3

Fig. 4

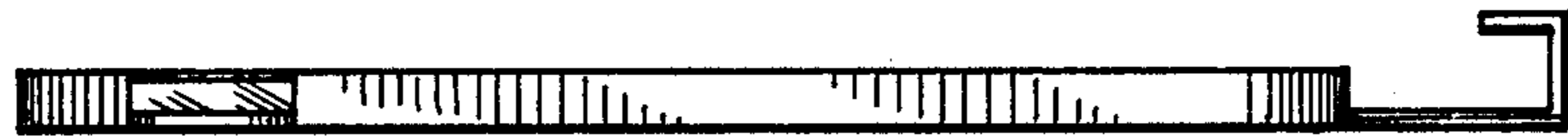


Fig. 5



Fig. 6