

[54] VEHICLE MOUNTED BICYCLE RACK

[76] Inventor: Richard A. Eckhart, 591 Calle de los Ovejas, Agoura, Calif. 91301

[**] Term: 14 Years

[21] Appl. No.: 114,143

[22] Filed: Oct. 27, 1987

[52] U.S. Cl. D12/158

[58] Field of Search D12/158; 224/42.03 B, 224/42.03 R; 211/17, 22

[56] References Cited

U.S. PATENT DOCUMENTS

4,400,129	8/1983	Eisenberg et al.	224/42.03 B
4,461,410	7/1984	Tartaglia	224/42.03 B
4,676,414	6/1987	Deguevara	224/42.03 R

OTHER PUBLICATIONS

Slider Corp. flyer entitled "The Bike Slider", ©1986.

Primary Examiner—James M. Gandy

Assistant Examiner—Melody Brown

Attorney, Agent, or Firm—Koppel & Jacobs

[57] CLAIM

The ornamental design for a vehicle mounted bicycle rack, as shown and described.

DESCRIPTION

FIG. 1 is a perspective view of a vehicle mounted bicycle rack showing my new design;

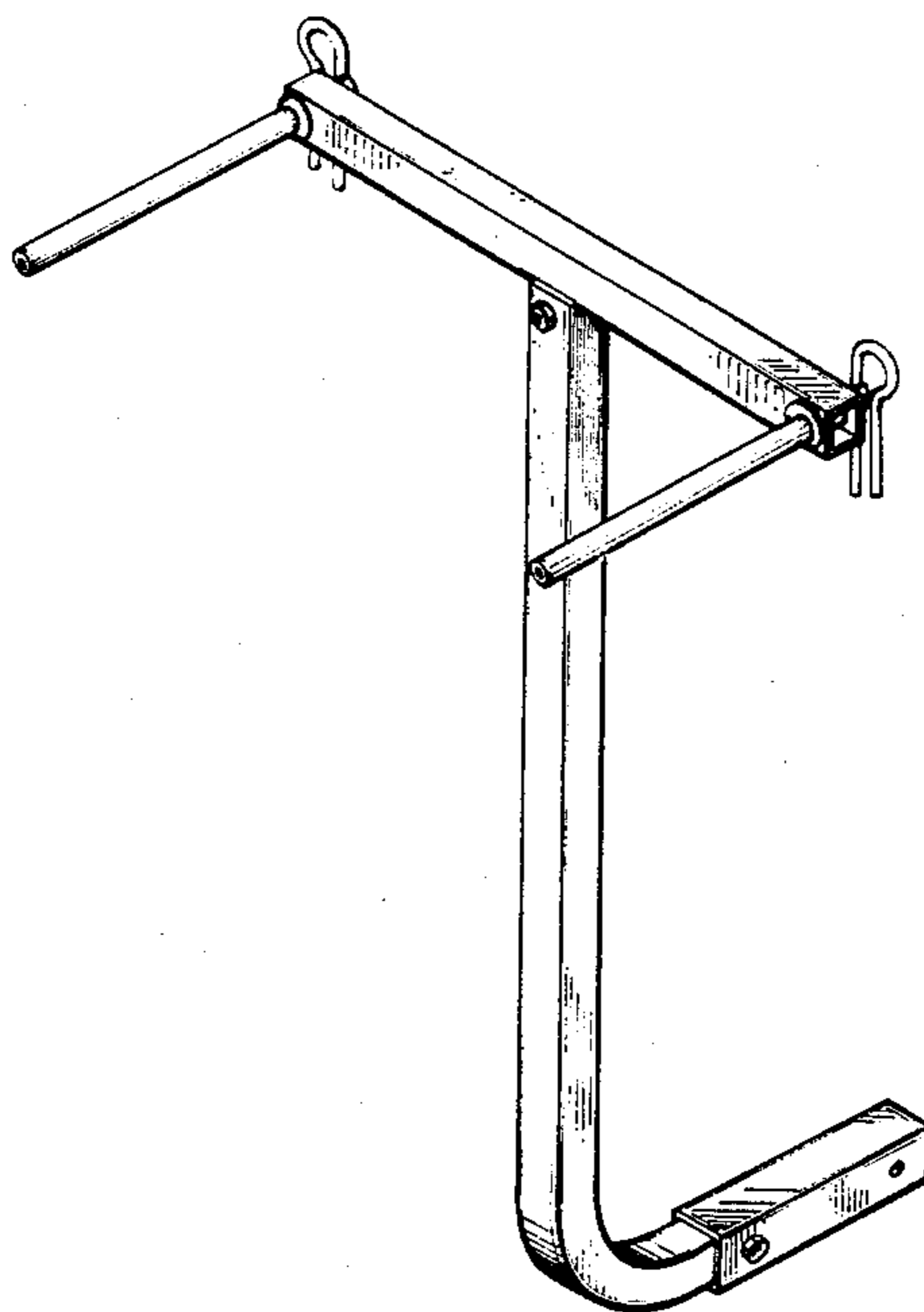
FIG. 2 is a left side elevation view thereof, it being understood that the right side is mirror image of that shown;

FIG. 3 is a front elevation view thereof;

FIG. 4 is a rear elevation view thereof;

FIG. 5 is a top plan view thereof; and

FIG. 6 is a bottom plan view thereof.



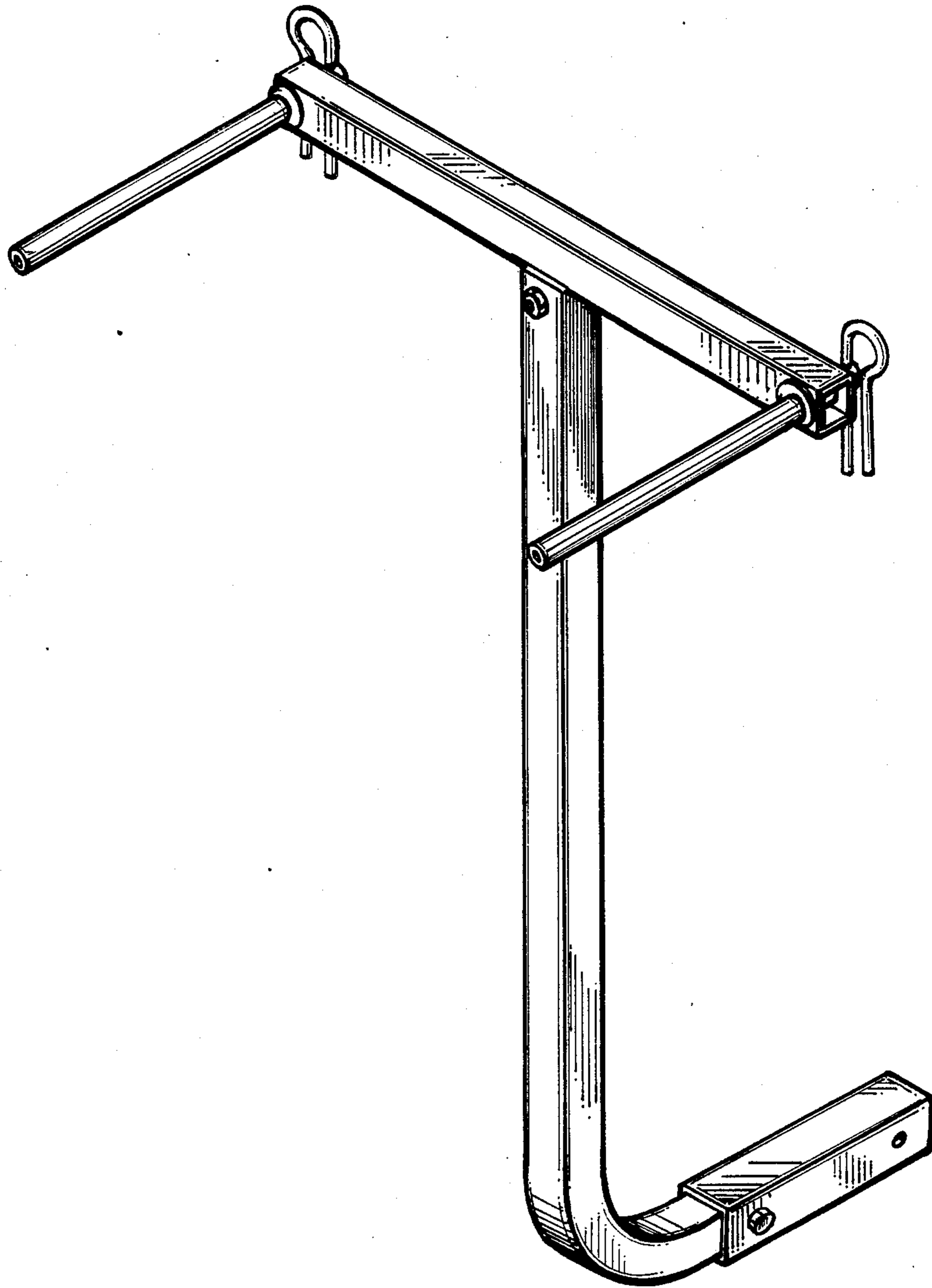


Fig. 1.

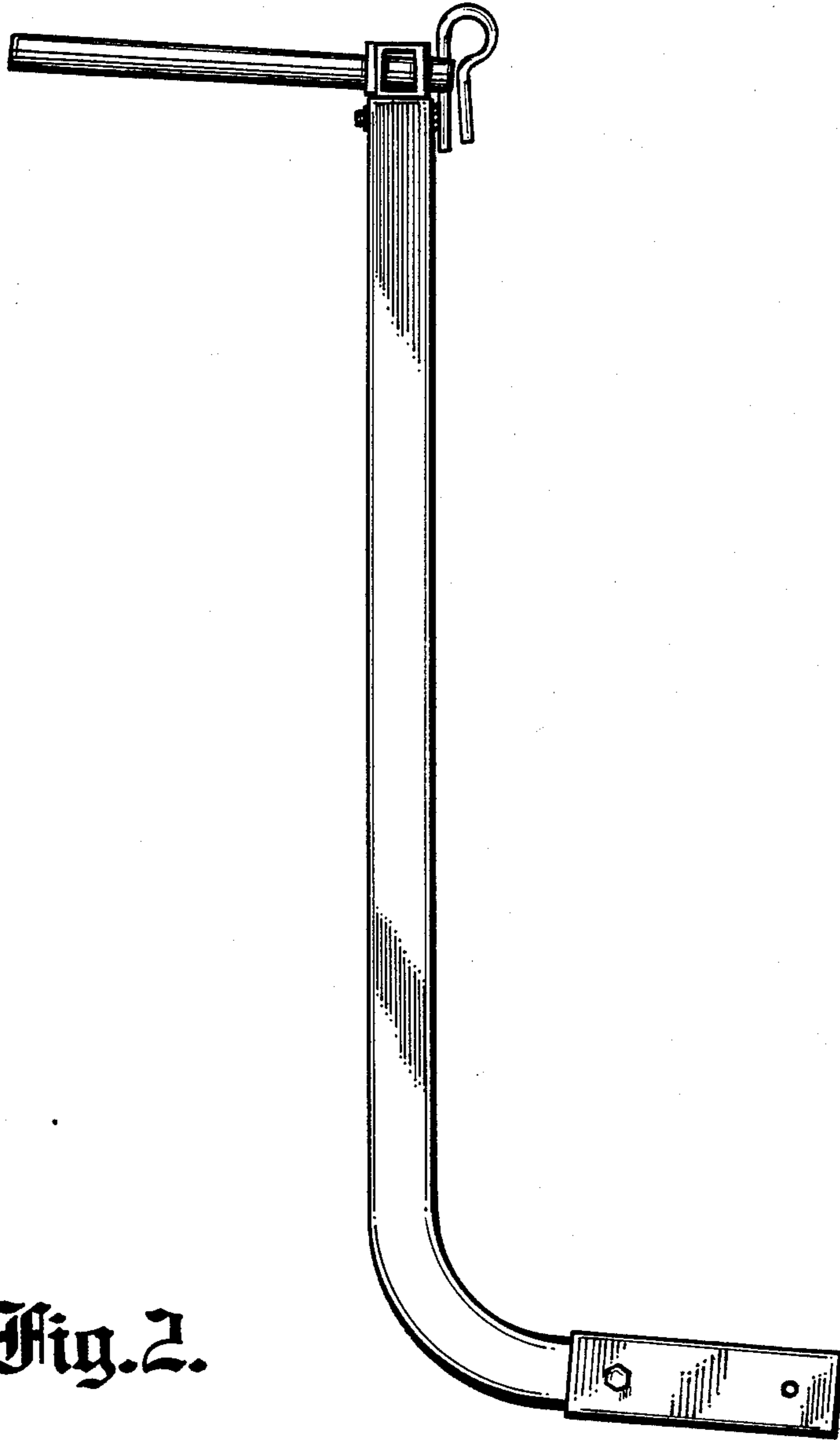


Fig. 2.

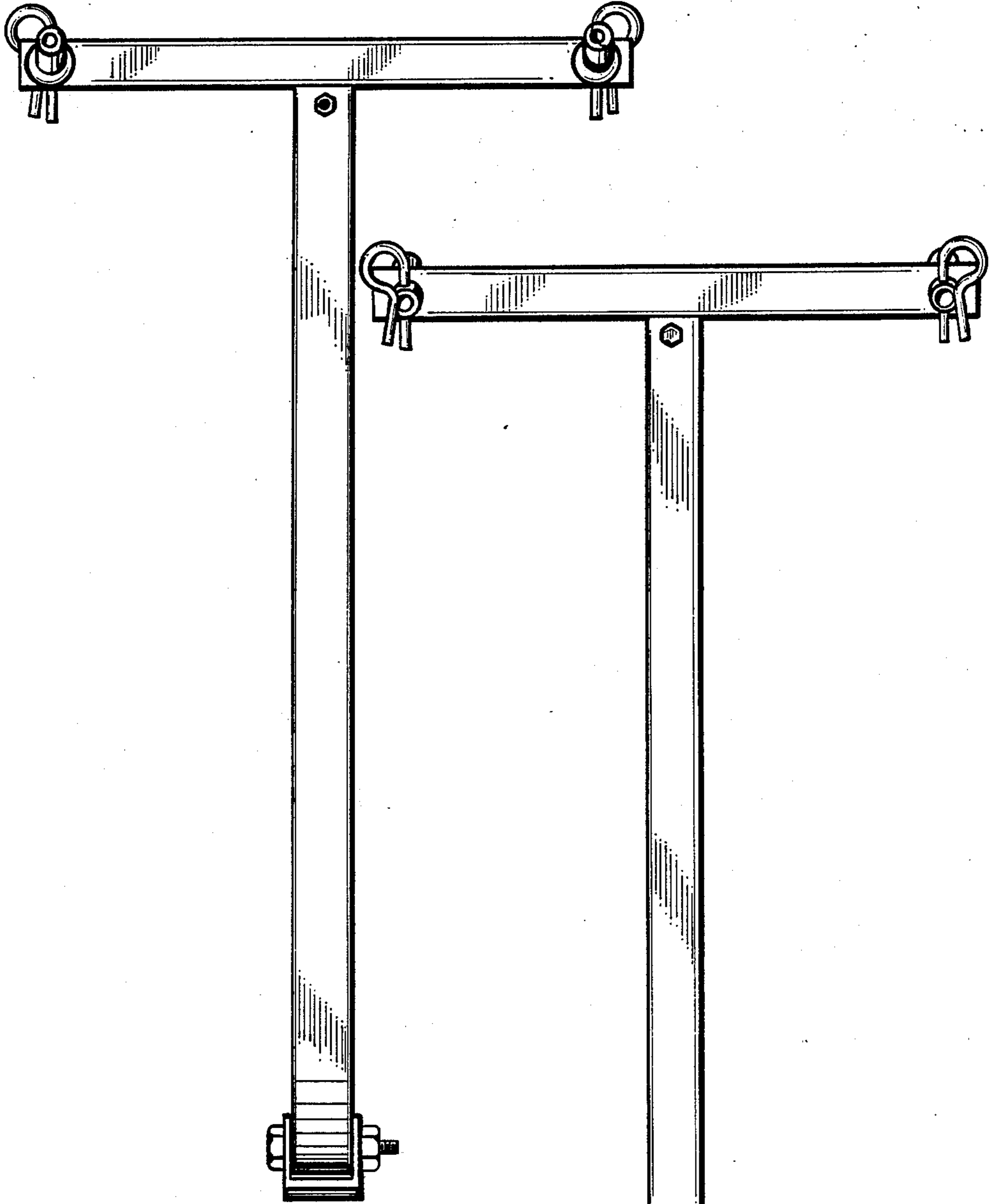


Fig. 3.

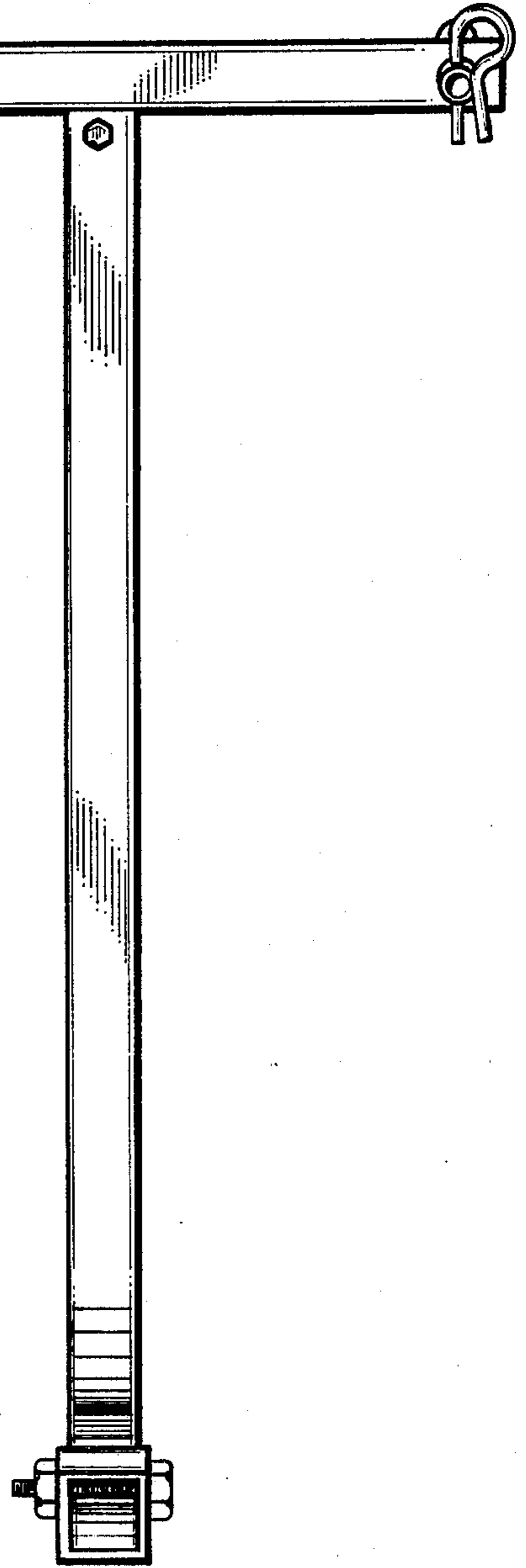


Fig. 4.

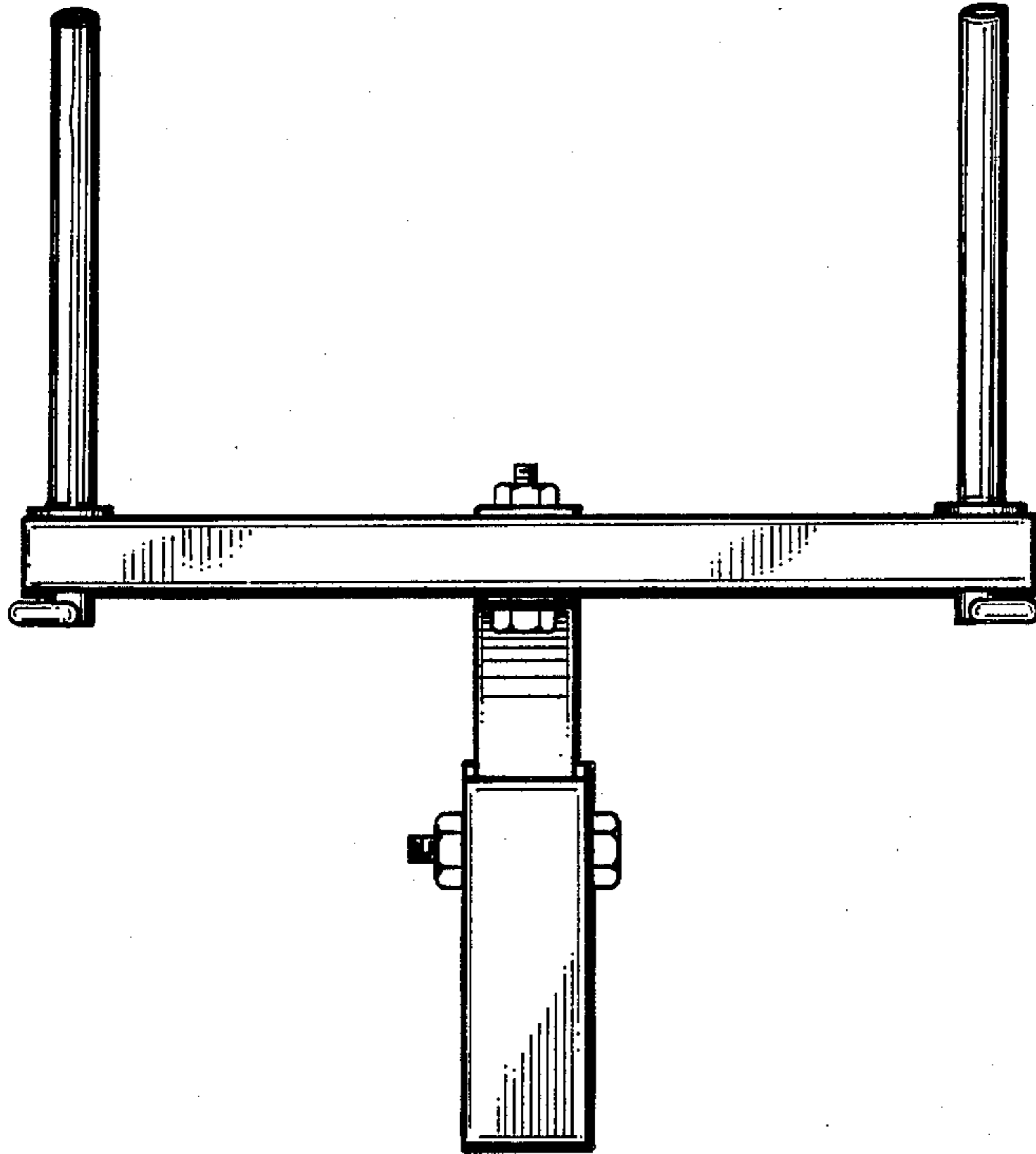


Fig. 5.

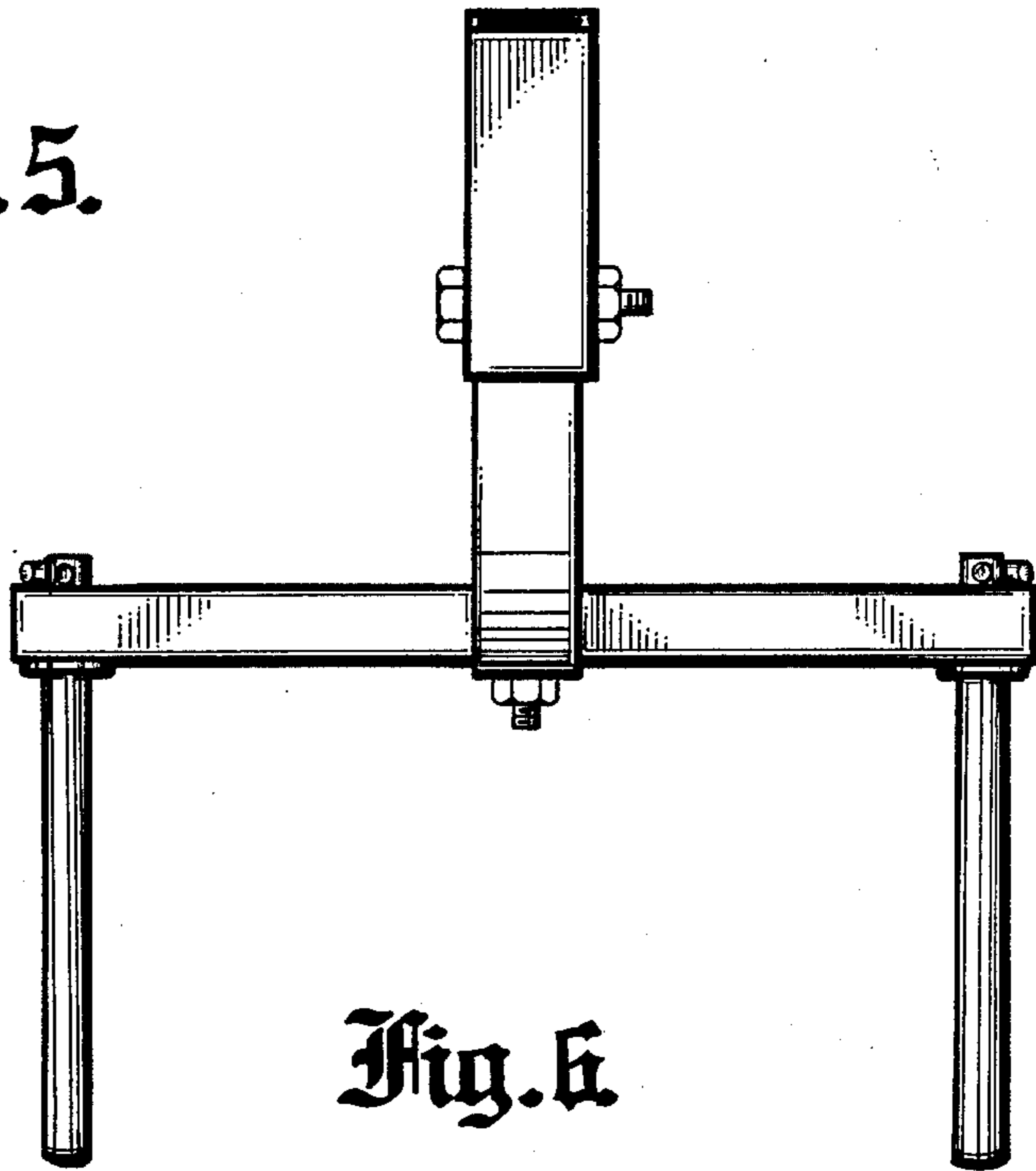


Fig. 6.