

[54] **AUTOMOTIVE WINDSHIELD WIPER AID**

[76] **Inventors:** Pierre Charet, 12490 SW. 95 Ter., Miami, Fla. 33186; Duke Kraai, 10055 SW. 213 Ter., Miami, Fla. 33189

[**] **Term:** 14 Years

[21] **Appl. No.:** 110,964

[22] **Filed:** Oct. 21, 1987

[52] **U.S. Cl.** D12/155

[58] **Field of Search** D12/155; 15/250.36, 15/250.4, 250.42, 250.35

[56] **References Cited**

U.S. PATENT DOCUMENTS

4,464,808 8/1984 Berry 15/250.35

OTHER PUBLICATIONS

J. C. Whitney & Co. catalog, No. 466 C, Parts & Accessories, copyright 1985, p. 97, Wiper Aid.

Primary Examiner—James M. Gandy
Assistant Examiner—Melody Brown
Attorney, Agent, or Firm—Wells & White

[57] **CLAIM**

The ornamental design for an automotive windshield wiper aid, as shown and described.

DESCRIPTION

FIG. 1 is a right front perspective view of an automotive windshield wiper aid showing my new design it being understood that the broken line structure is for illustrative purposes only and forms no part of the claimed design;

FIG. 2 is an enlarged right side elevation view thereof;

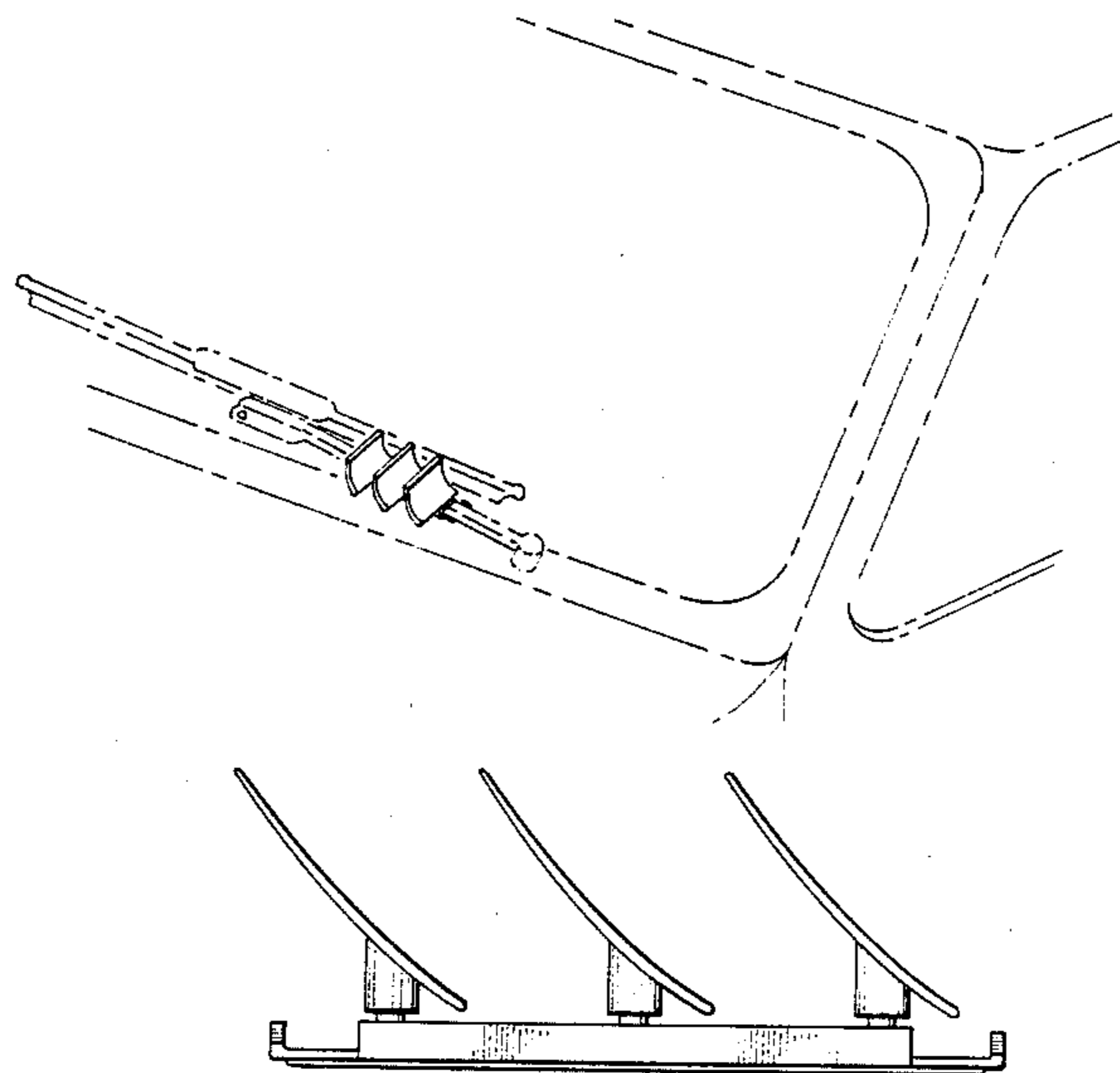
FIG. 3 is a left side elevation view of FIG. 2;

FIG. 4 is a top plan view of FIG. 2;

FIG. 5 is a bottom plan view of FIG. 2;

FIG. 6 is a rear elevation view of FIG. 2; and

FIG. 7 is a front elevation of FIG. 2.



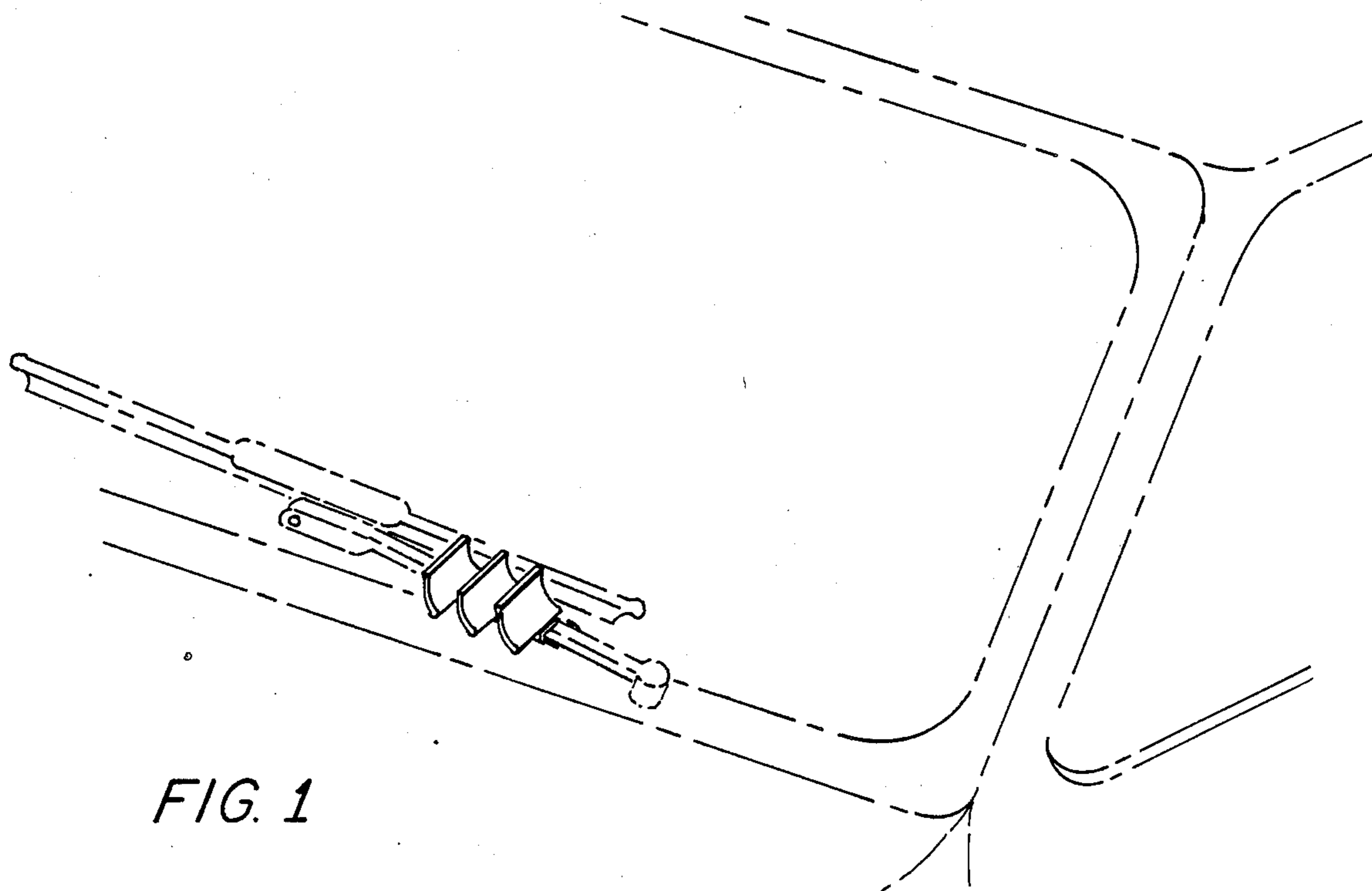


FIG. 1

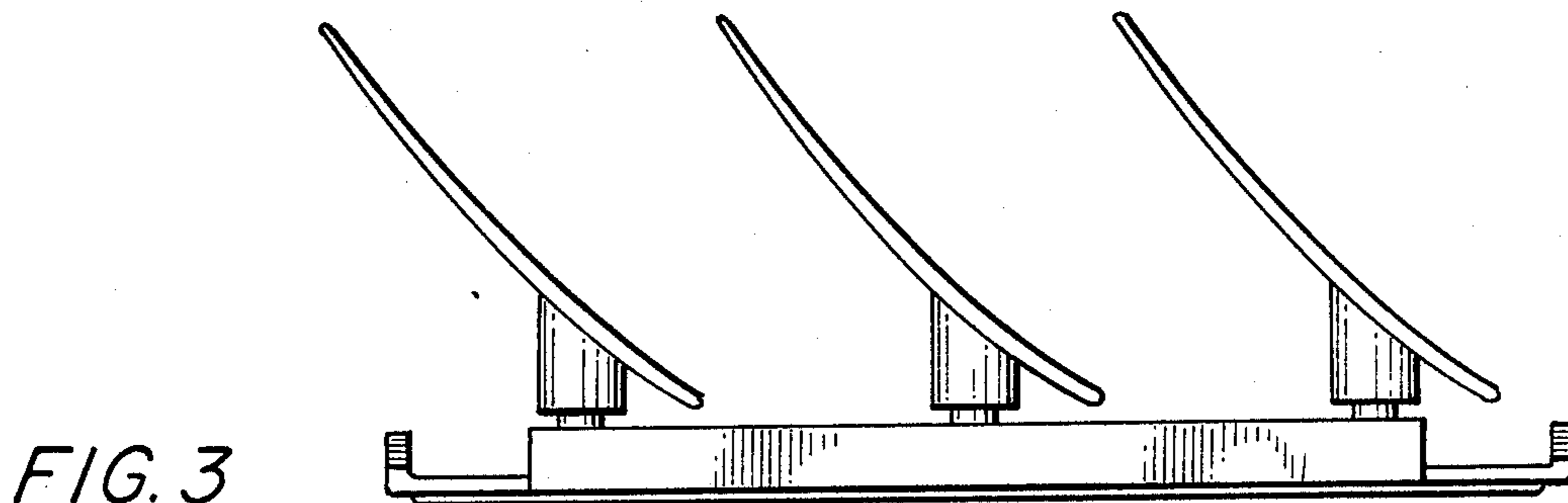


FIG. 3

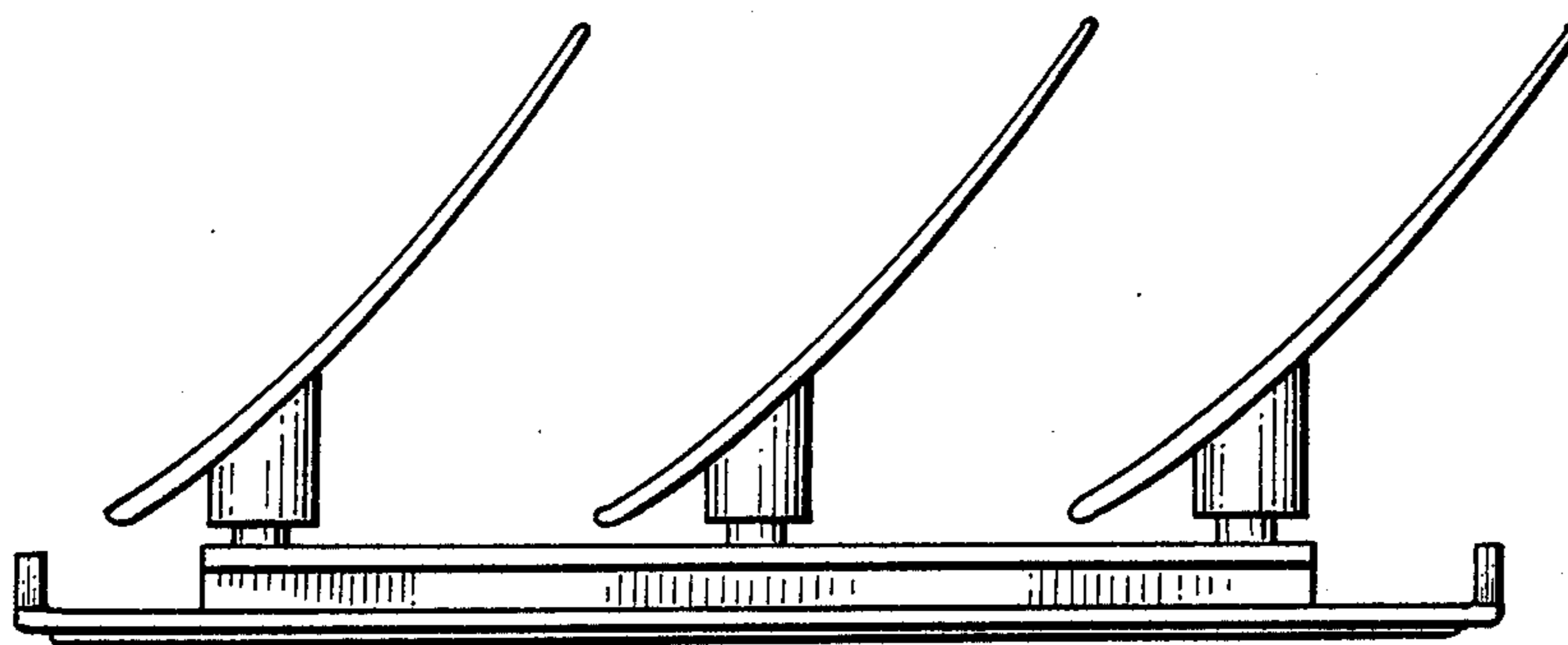


FIG. 2

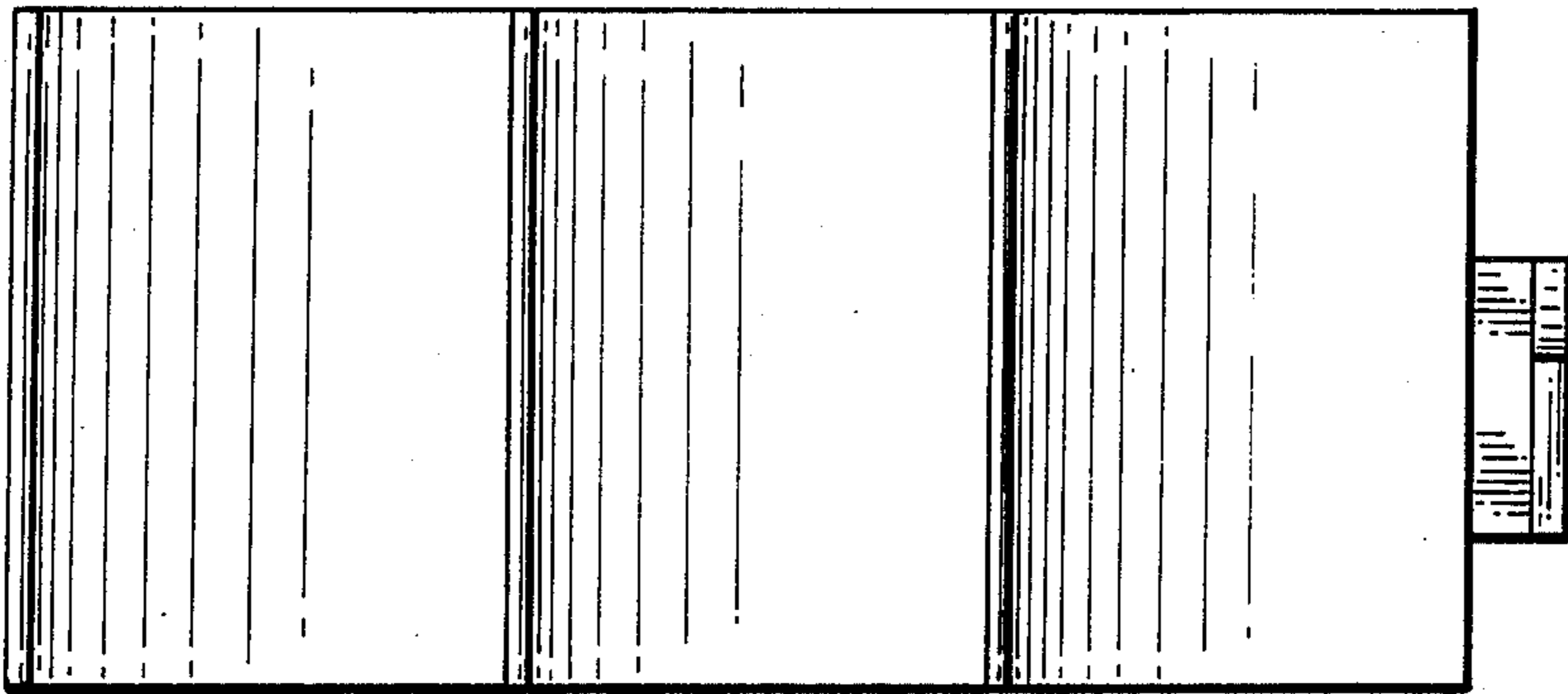


FIG. 4

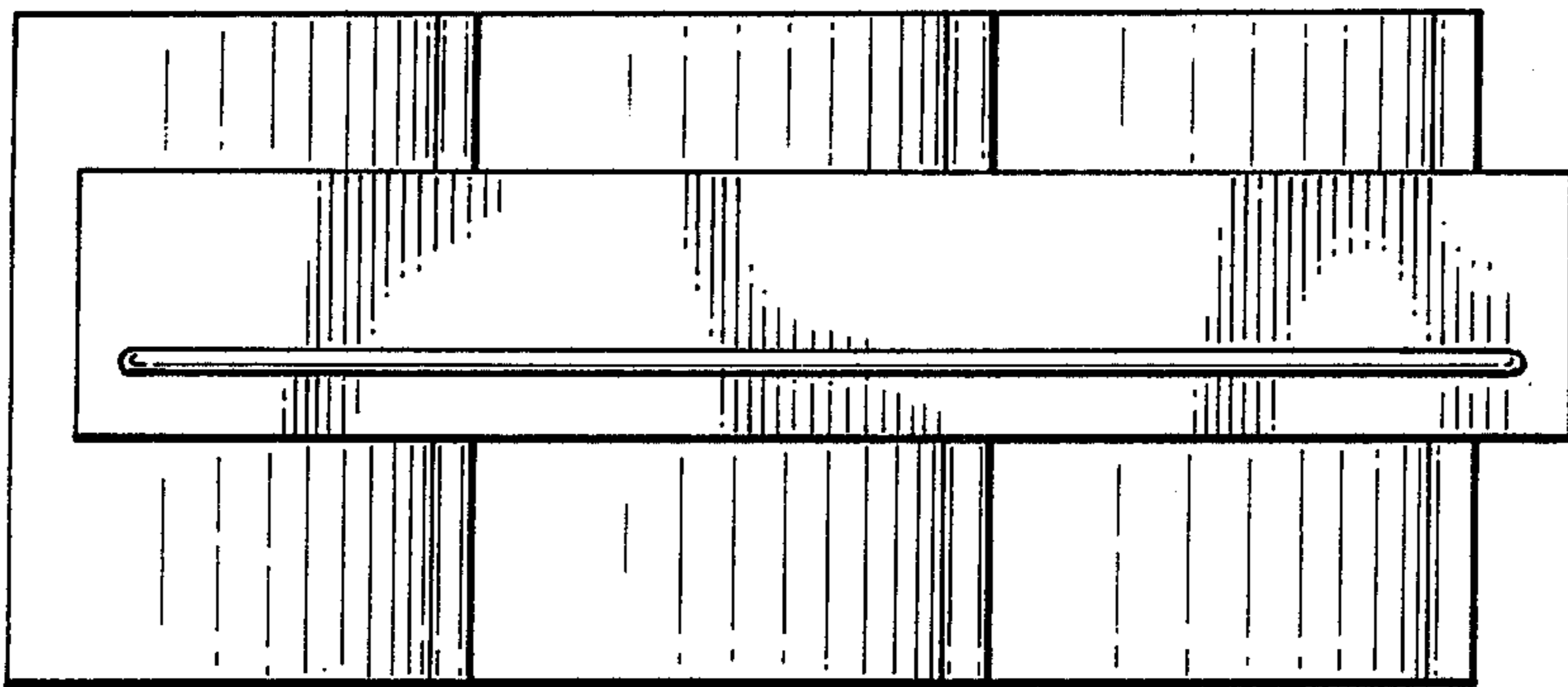


FIG. 5

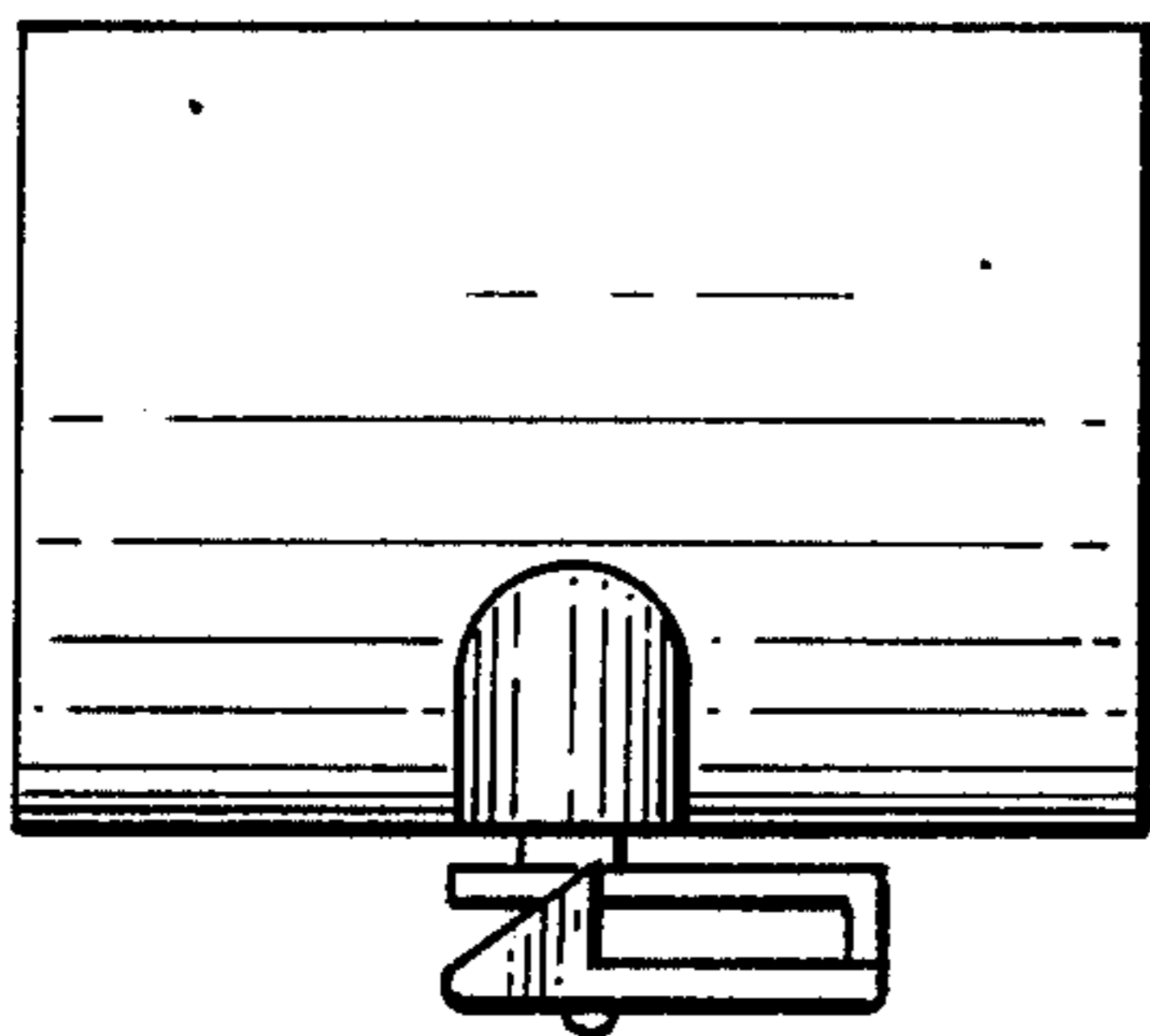


FIG. 6

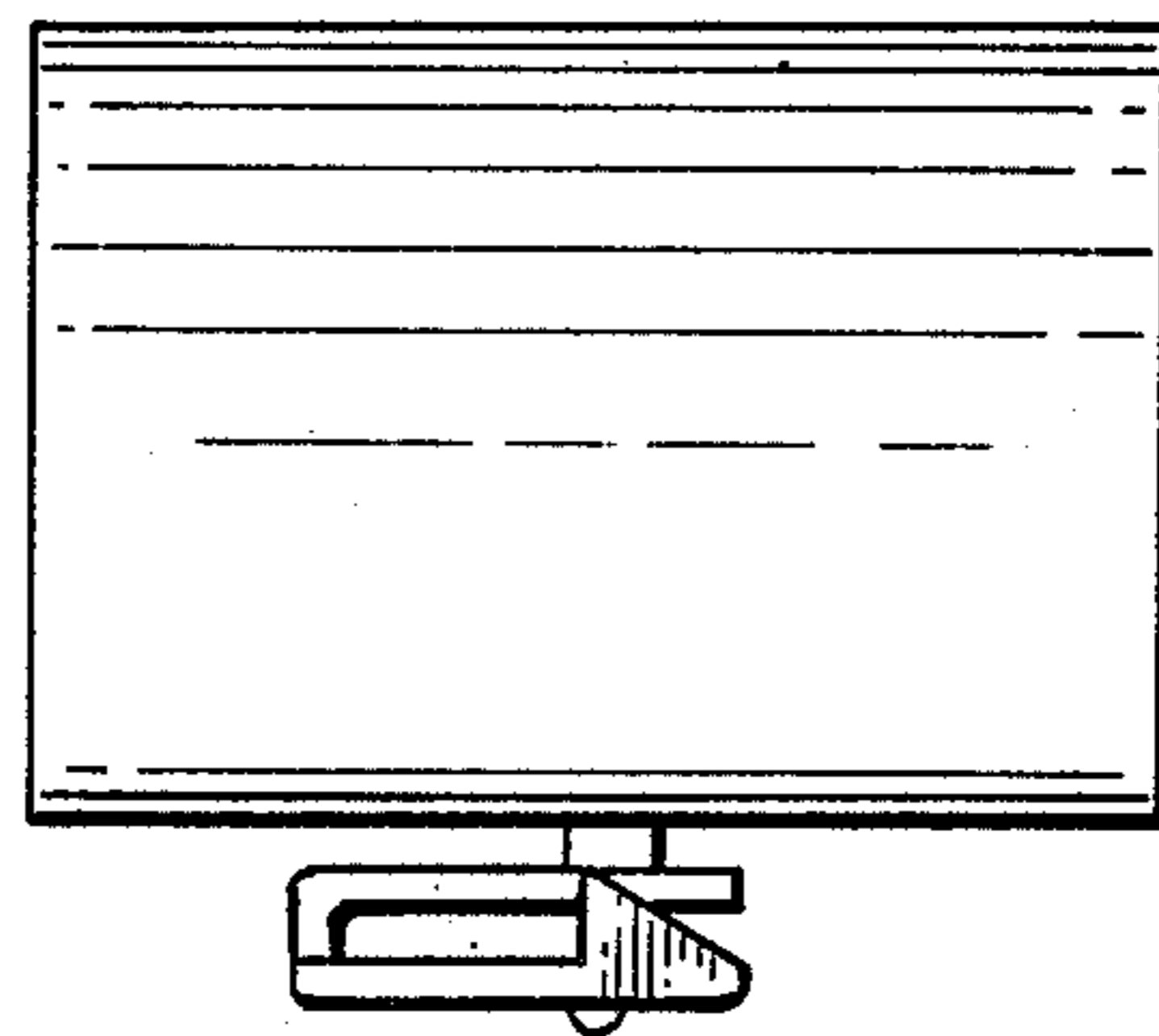


FIG. 7