

[54] KITCHEN SCALE

[75] Inventor: Rido Busse, Elchingen, Fed. Rep. of Germany

[73] Assignee: Soehnle-Waagen GmbH & Co., Murrhardt, Fed. Rep. of Germany

[**] Term: 14 Years

[21] Appl. No.: 2,918

[22] Filed: Jan. 13, 1987

[30] Foreign Application Priority Data

Dec. 23, 1986 [WO] World Int. Prop. O. DM/007966

[52] U.S. Cl. D10/91

[58] Field of Search D10/87, 89, 91, 90, D10/92, 93, 94, 95; 177/238, 239, 240, 241, 242, 243, 244, 245, 253, 254, 255, 262, 263, DIG. 3

[56] References Cited

U.S. PATENT DOCUMENTS

- D. 251,235 3/1979 Joss et al. D10/91
- D. 281,235 11/1985 Busse D10/91
- D. 289,745 5/1987 Busse D10/92

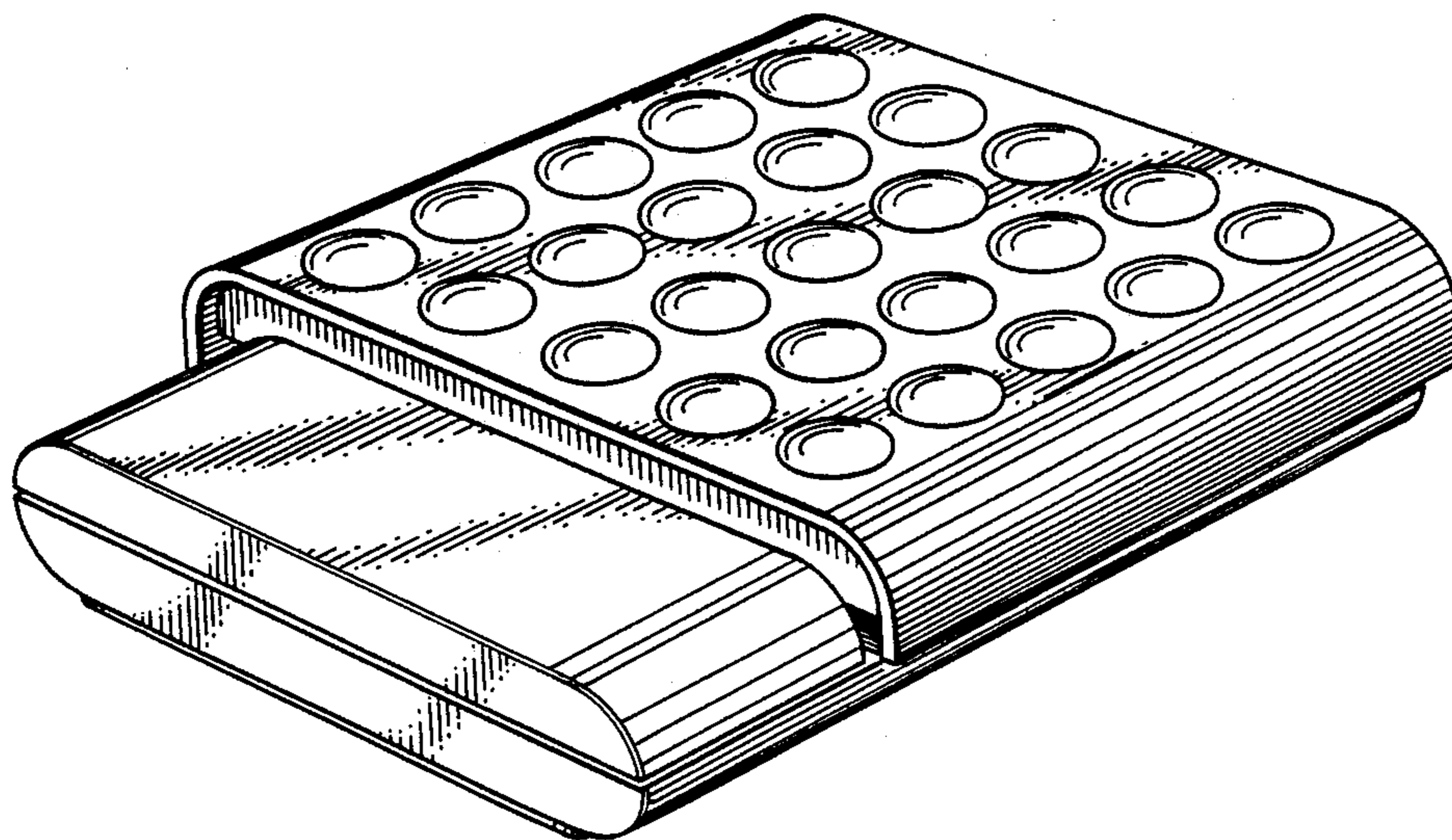
Primary Examiner—Nelson C. Holtje
Assistant Examiner—Antoine D. Davis
Attorney, Agent, or Firm—Flynn, Thiel, Boutell & Tanis

[57] CLAIM

The ornamental design for a kitchen scale, as shown and described.

DESCRIPTION

FIG. 1 is a top, front and right side perspective view of a kitchen scale showing my new design;
 FIG. 2 is a top plan view;
 FIG. 3 is a right side elevational view, with the left side being a mirror image;
 FIG. 4 is a front elevational view;
 FIG. 5 is a rear elevational view;
 FIG. 6 is a bottom plan view;
 FIG. 7 is a top, front, and right side perspective view of another embodiment of my new design of FIGS. 1-6;
 FIG. 8 is a top plan view;
 FIG. 9 is a right side elevational view, with the left side being a mirror image;
 FIG. 10 is a front elevational view;
 FIG. 11 is a rear elevational view; and
 FIG. 12 is a bottom plan view thereof.



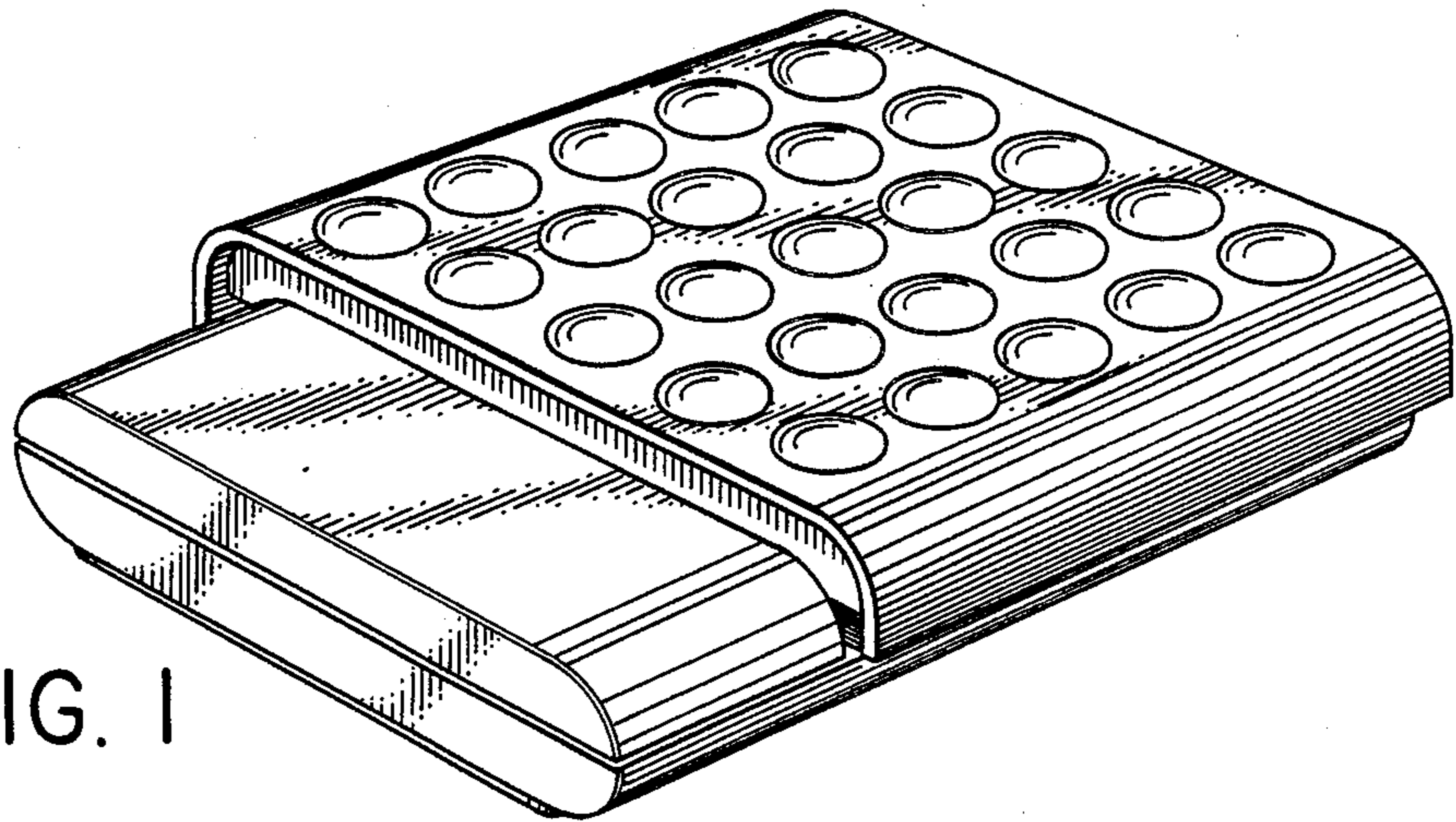


FIG. 1

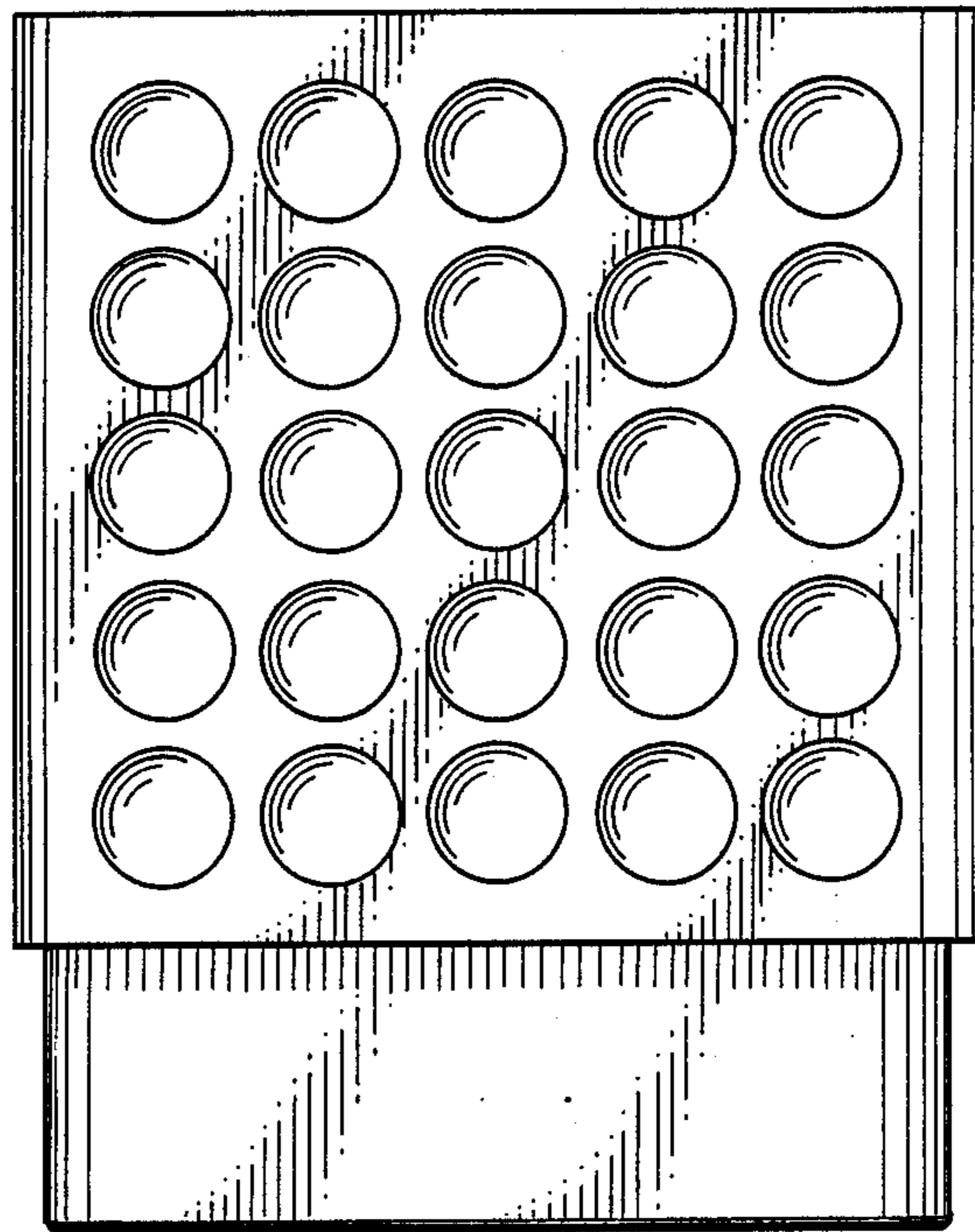


FIG. 2

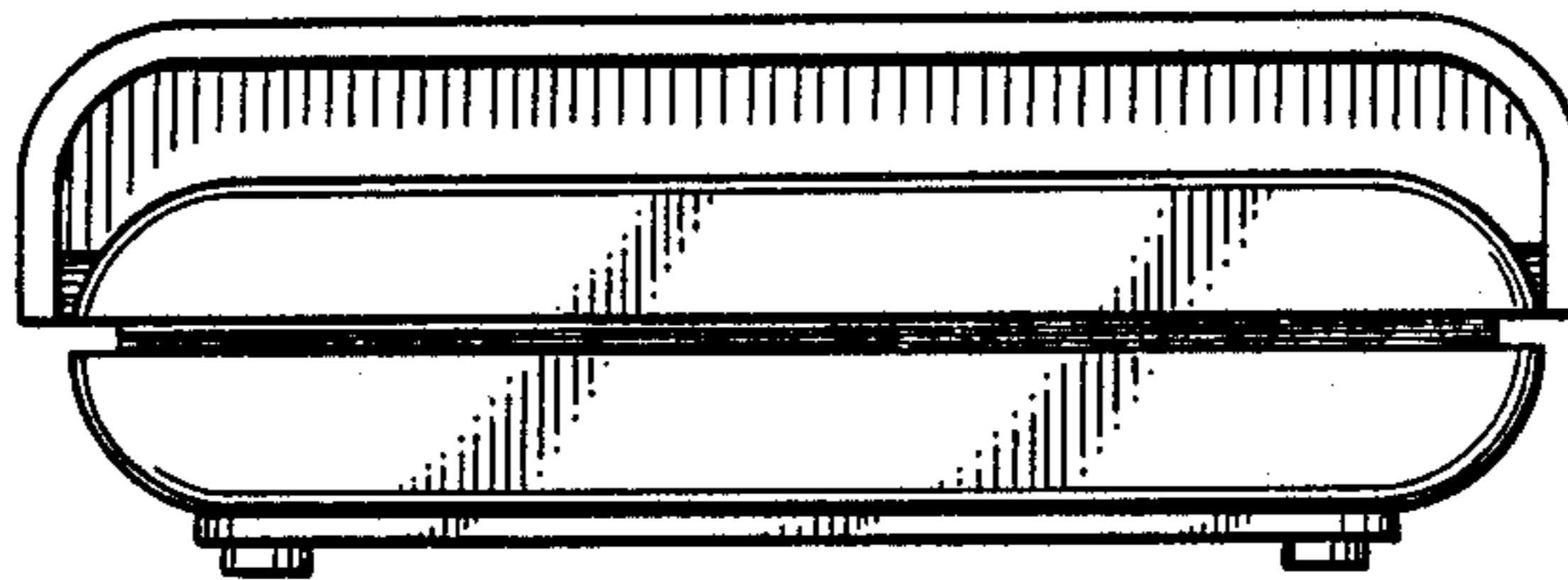


FIG. 4

FIG. 5

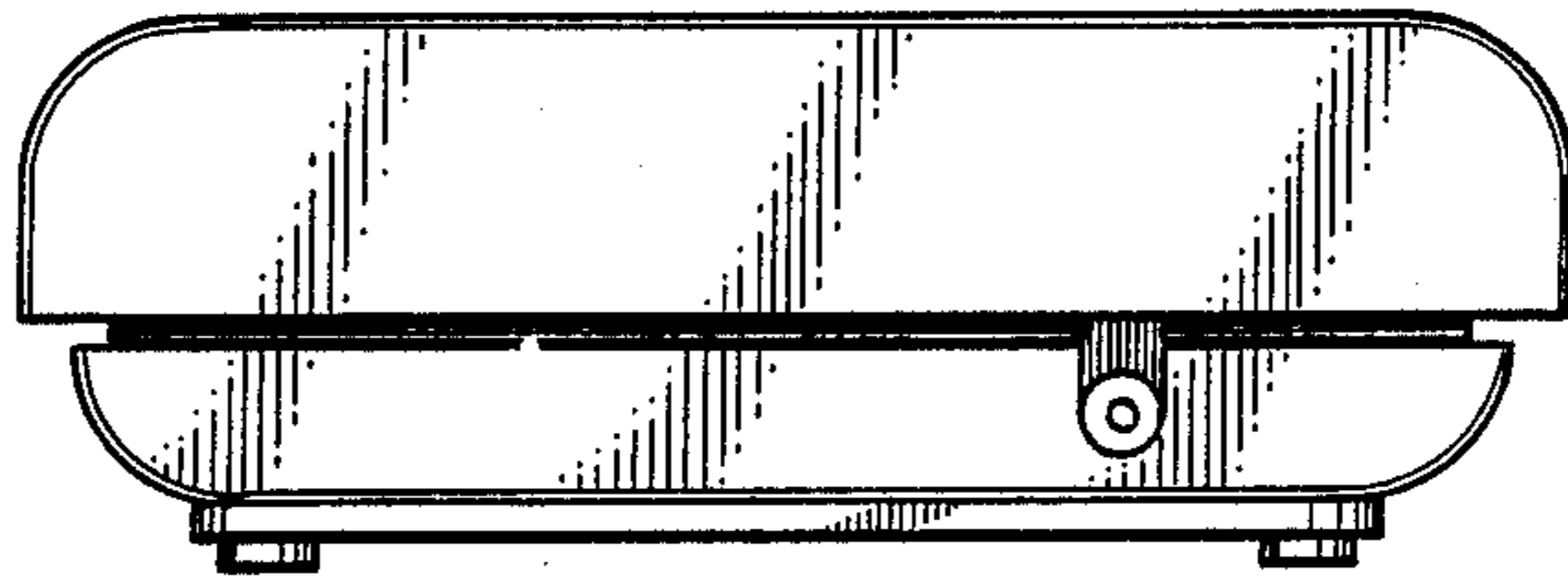


FIG. 3

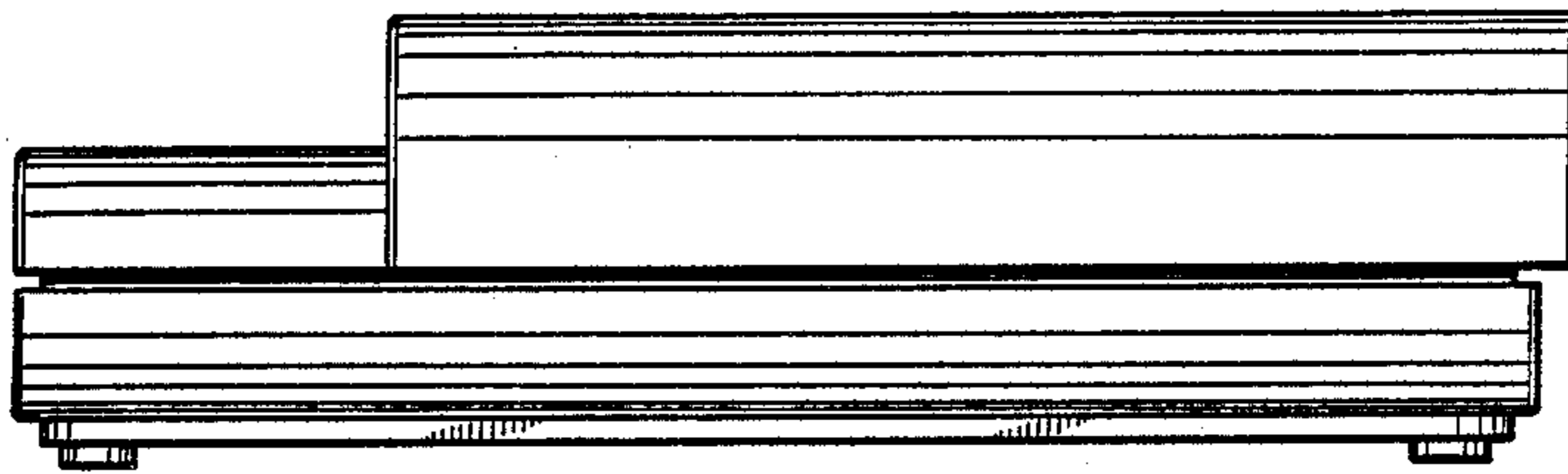
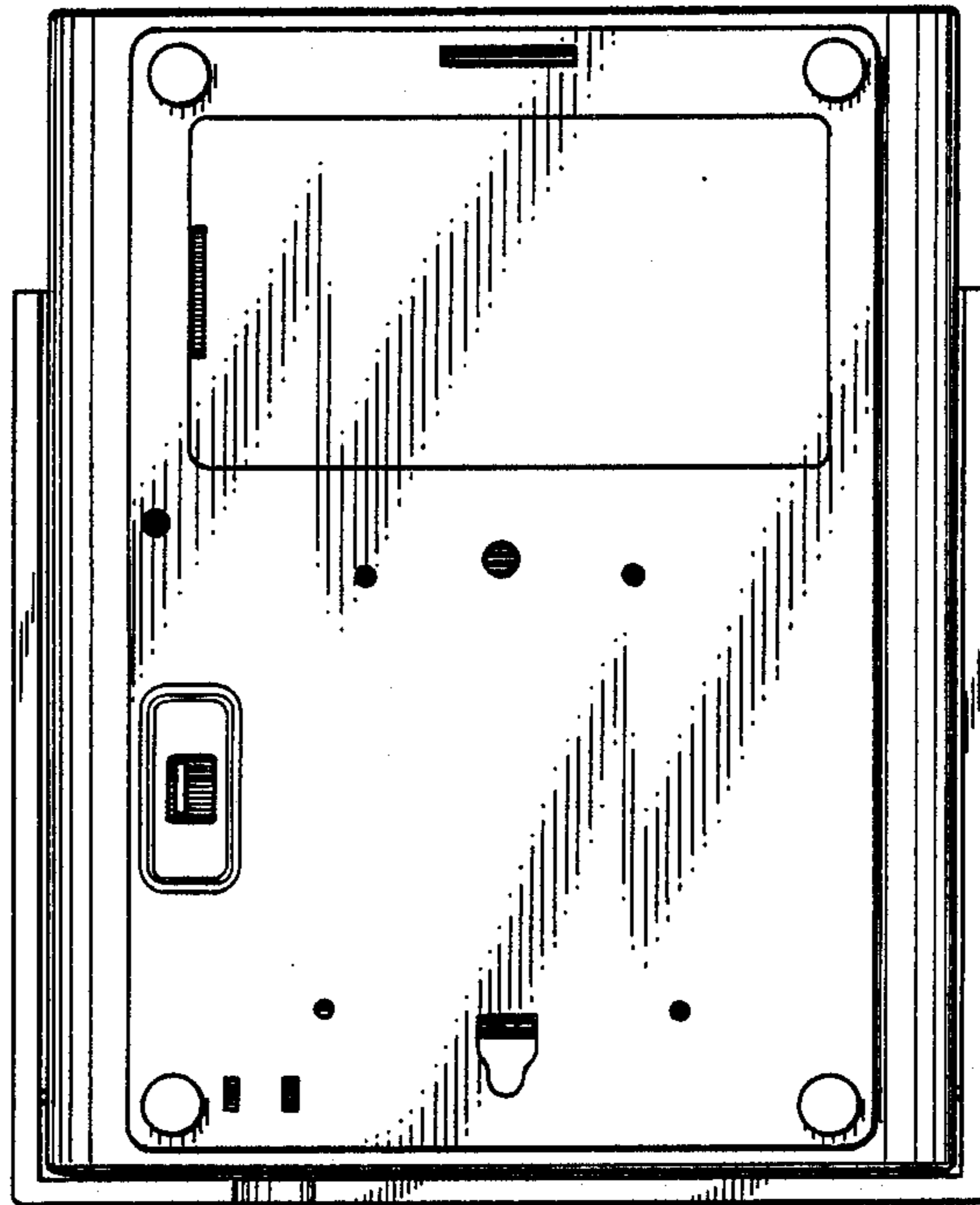


FIG. 6



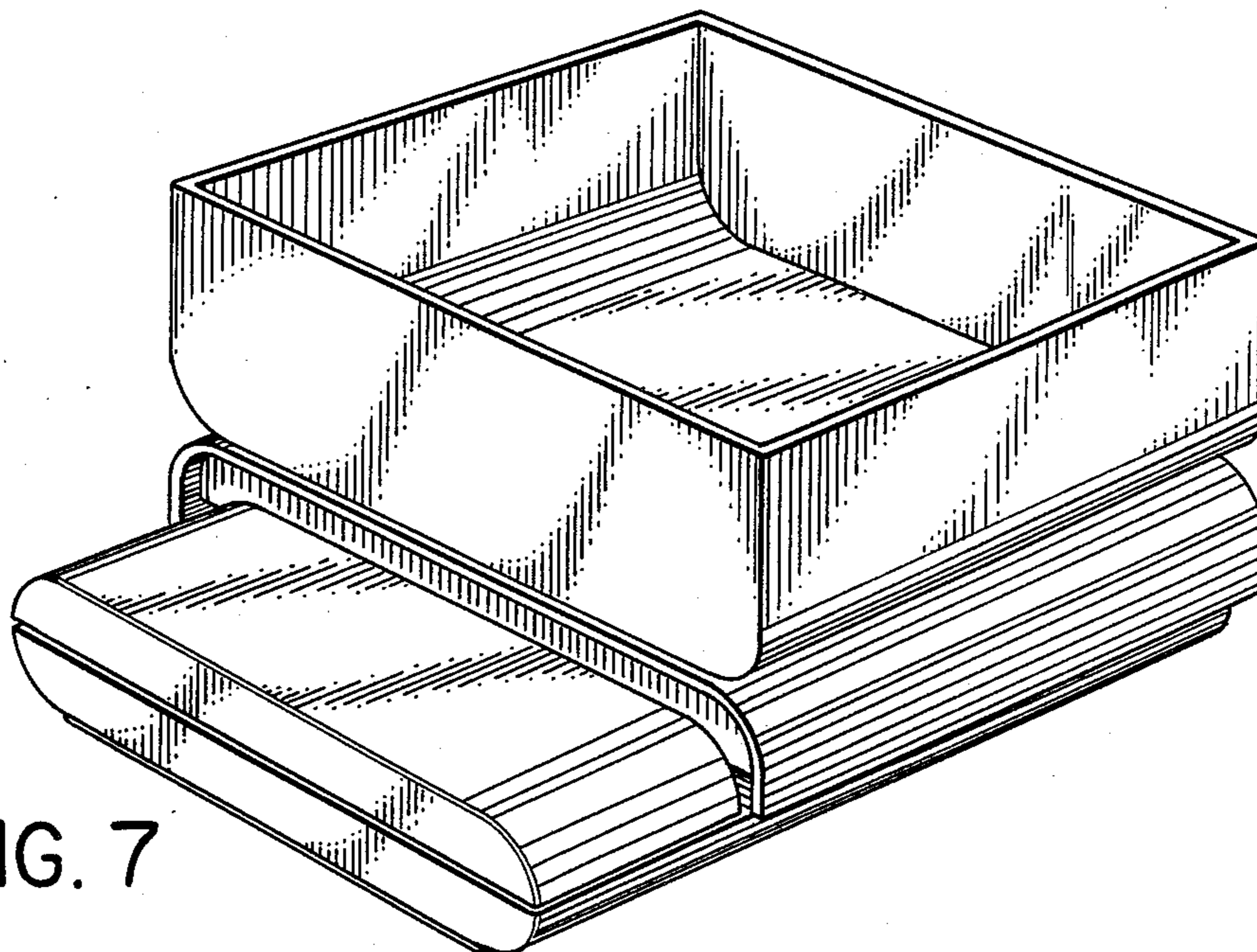


FIG. 7

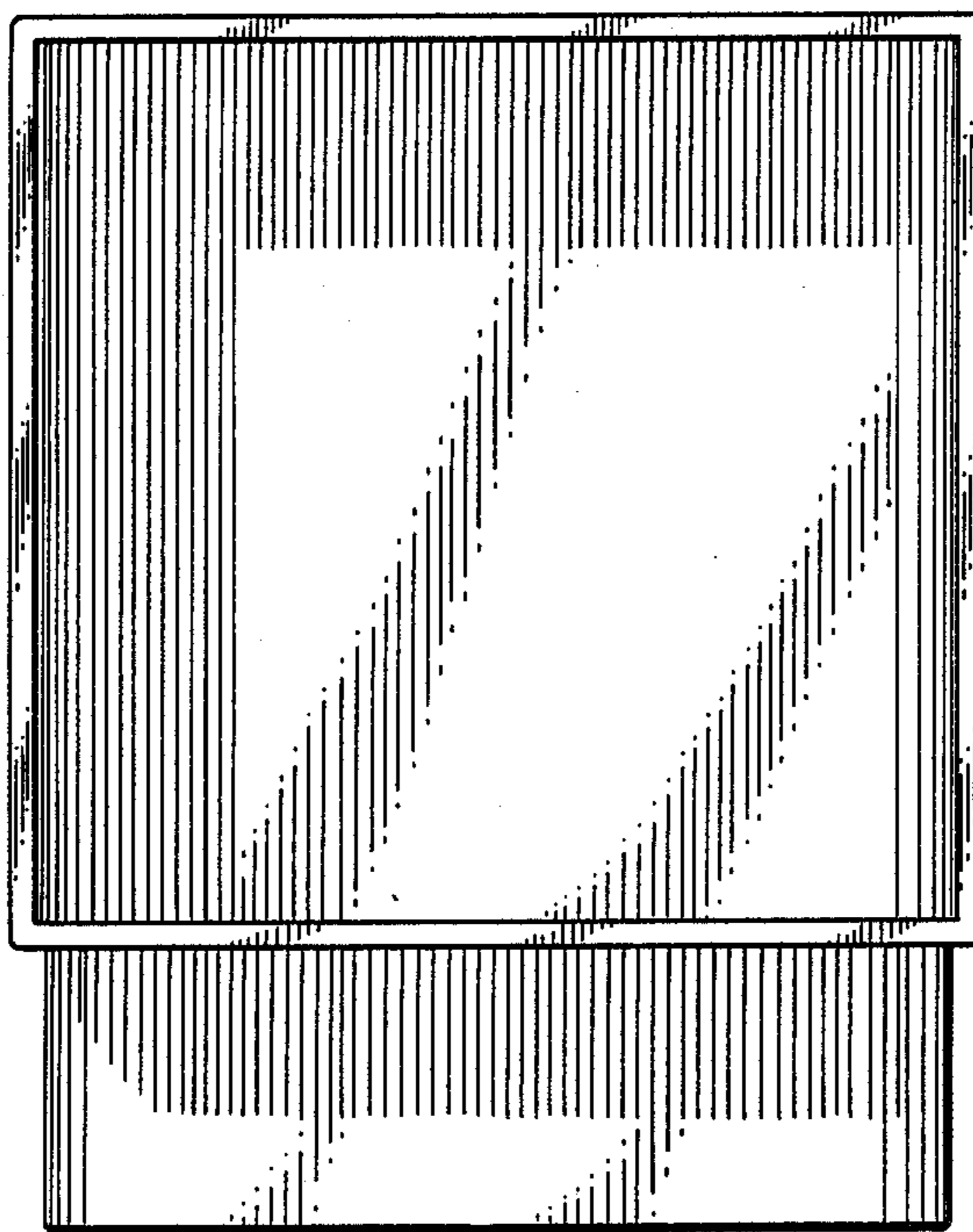


FIG. 8

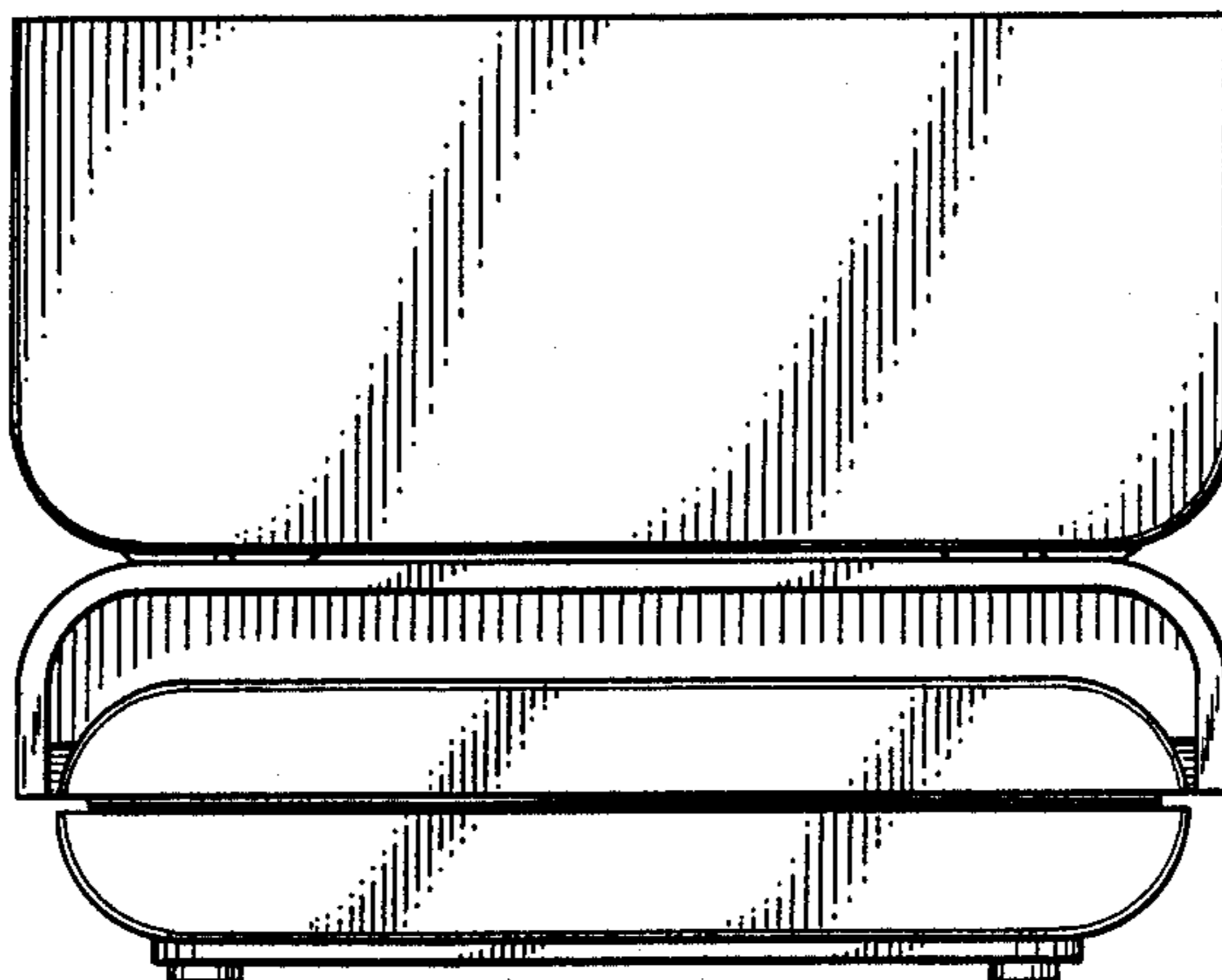


FIG. 10

FIG. 11

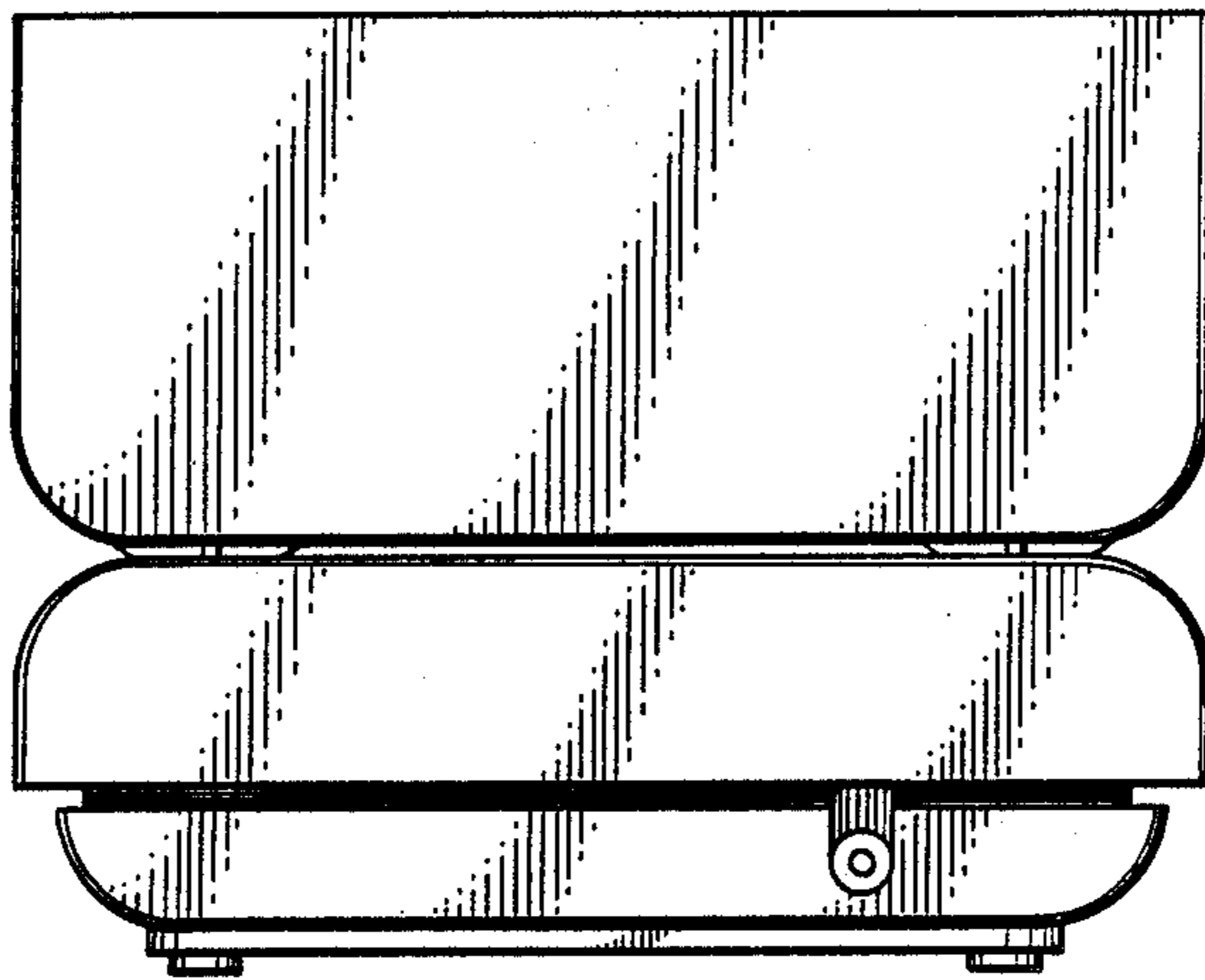


FIG. 9

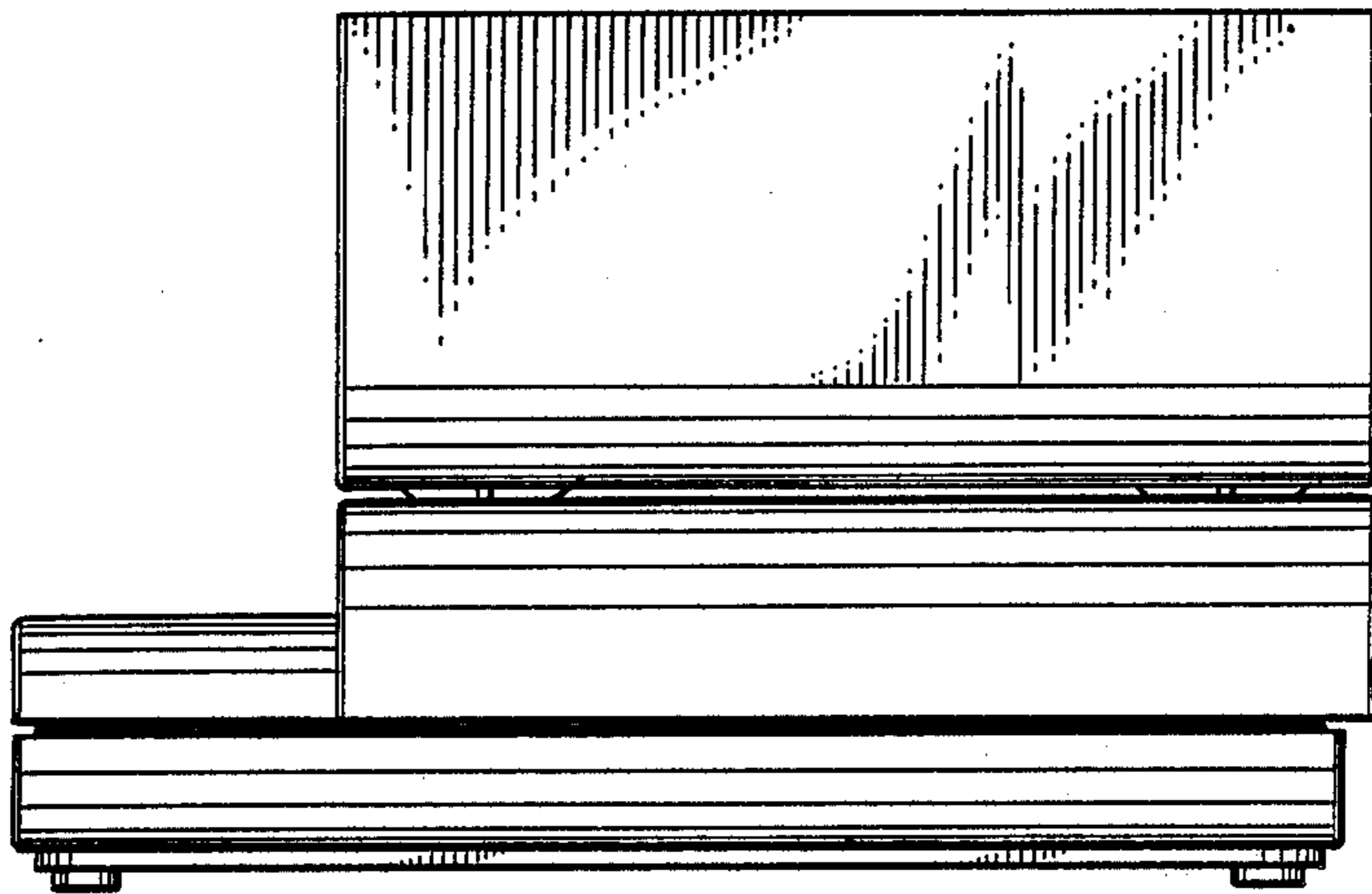


FIG. 12

