

[54] ELECTRICAL TEST INSTRUMENT

[75] Inventors: Richard A. Shields, Jr.; John D. Rust, both of Huntington Beach, Calif.

[73] Assignee: Beckman Industrial Corporation, Brea, Calif.

[\*\*] Term: 14 Years

[21] Appl. No.: 34,578

[22] Filed: Apr. 6, 1987

[52] U.S. Cl. .... D10/78

[58] Field of Search ..... D10/75, 78, 103; D13/38; 324/72.5, 73 R, 115, 149, 151, 156

[56] References Cited

U.S. PATENT DOCUMENTS

D. 195,558	7/1963	Simons	.....	D10/78
D. 223,196	3/1972	Andreaggi et al.	.....	D10/78
D. 240,409	7/1976	Roberts	.....	D10/78
D. 256,896	9/1980	Kuramoto	.....	D10/78
D. 280,299	8/1985	Nelson	.....	D10/78

OTHER PUBLICATIONS

Xerox Disclosure Journal, May/Jun. '78, p. 175.  
Industrial Equipment News, Jun. '80, p. 44, Metric Meter.  
Fluke, 1983, cover page, class D10/78, 8025A, Multi-meter.  
Anasco, Spring 1988, pp. 4-7.

Primary Examiner—Nelson C. Holtje  
Assistant Examiner—Antoinc D. Davis  
Attorney, Agent, or Firm—Polster, Polster and Lucchesi

[57] CLAIM

The ornamental design for an electrical test instrument, as shown and described.

DESCRIPTION

FIG. 1 is a front, bottom and left-side perspective view of an electrical test instrument showing our new design; FIG. 2 is a top plan view; FIG. 3 is a rear elevational view; and FIG. 4 is a right side elevational view thereof.

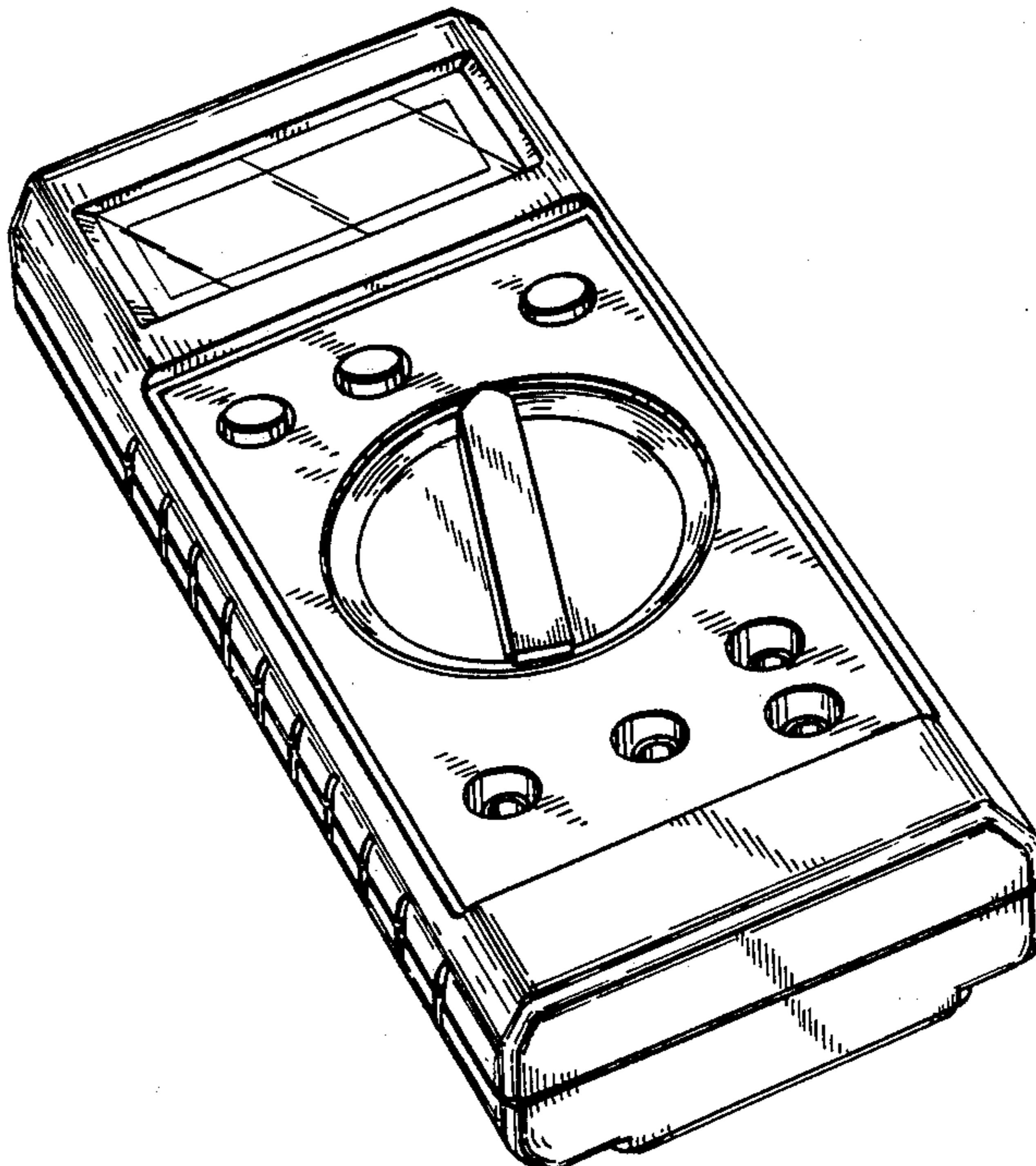


FIG. 1

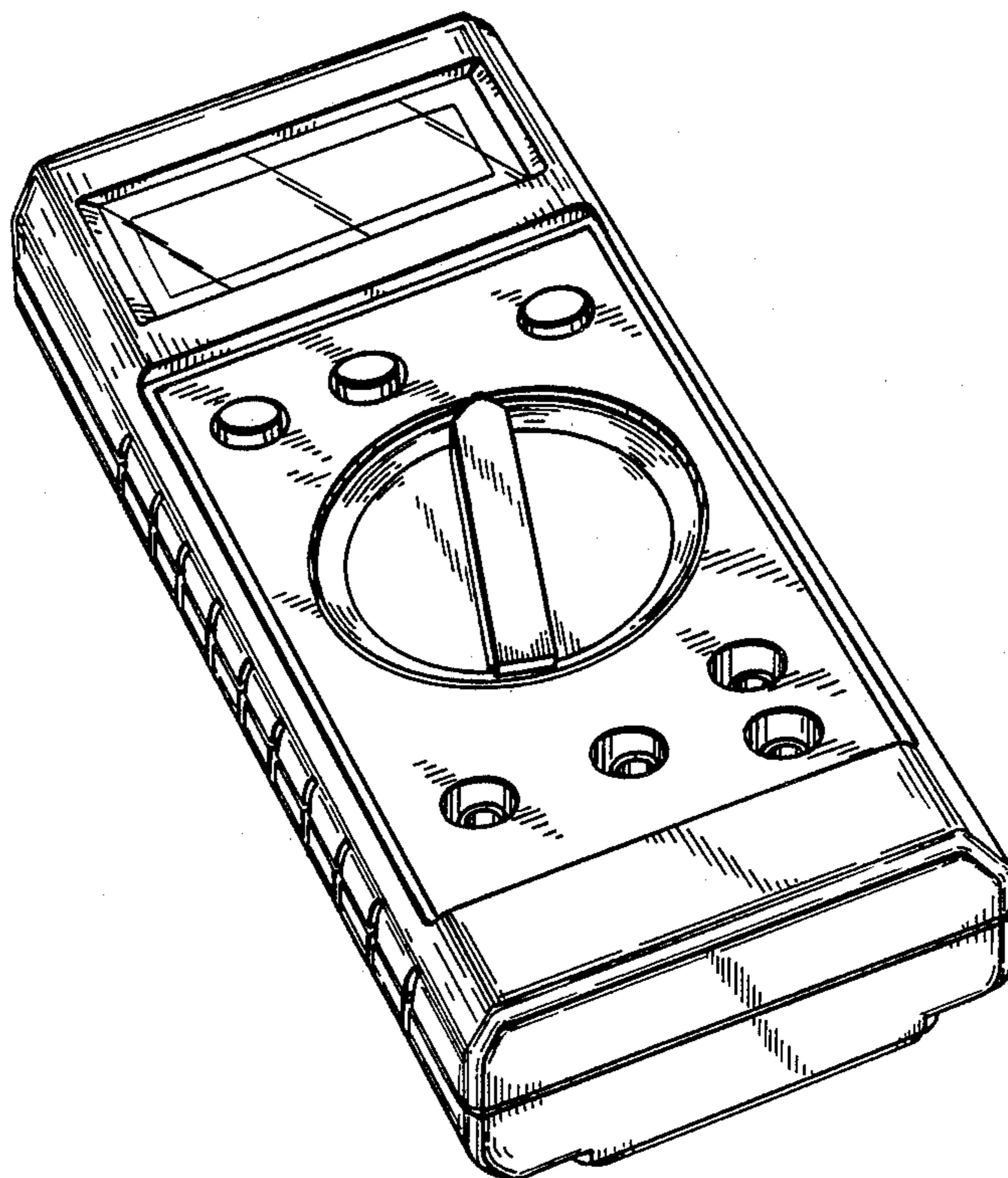


FIG. 2

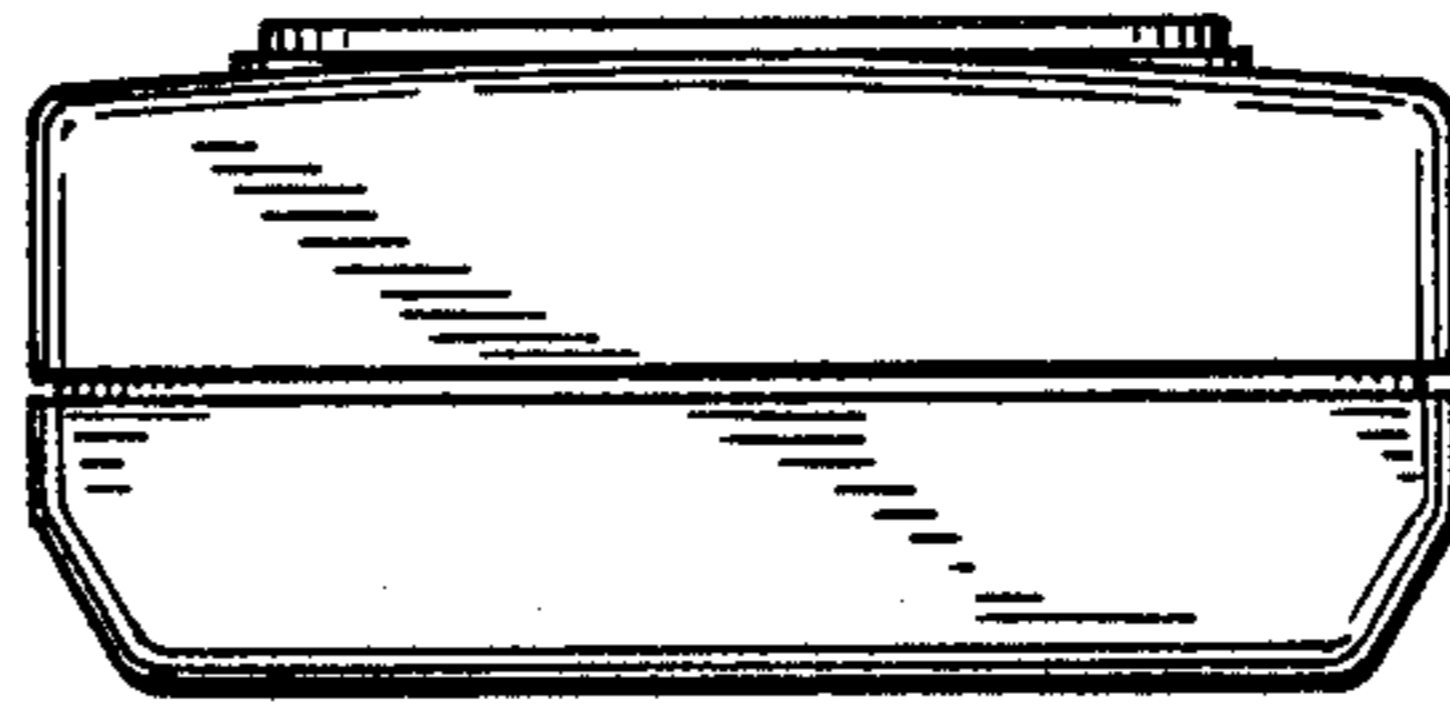


FIG. 3

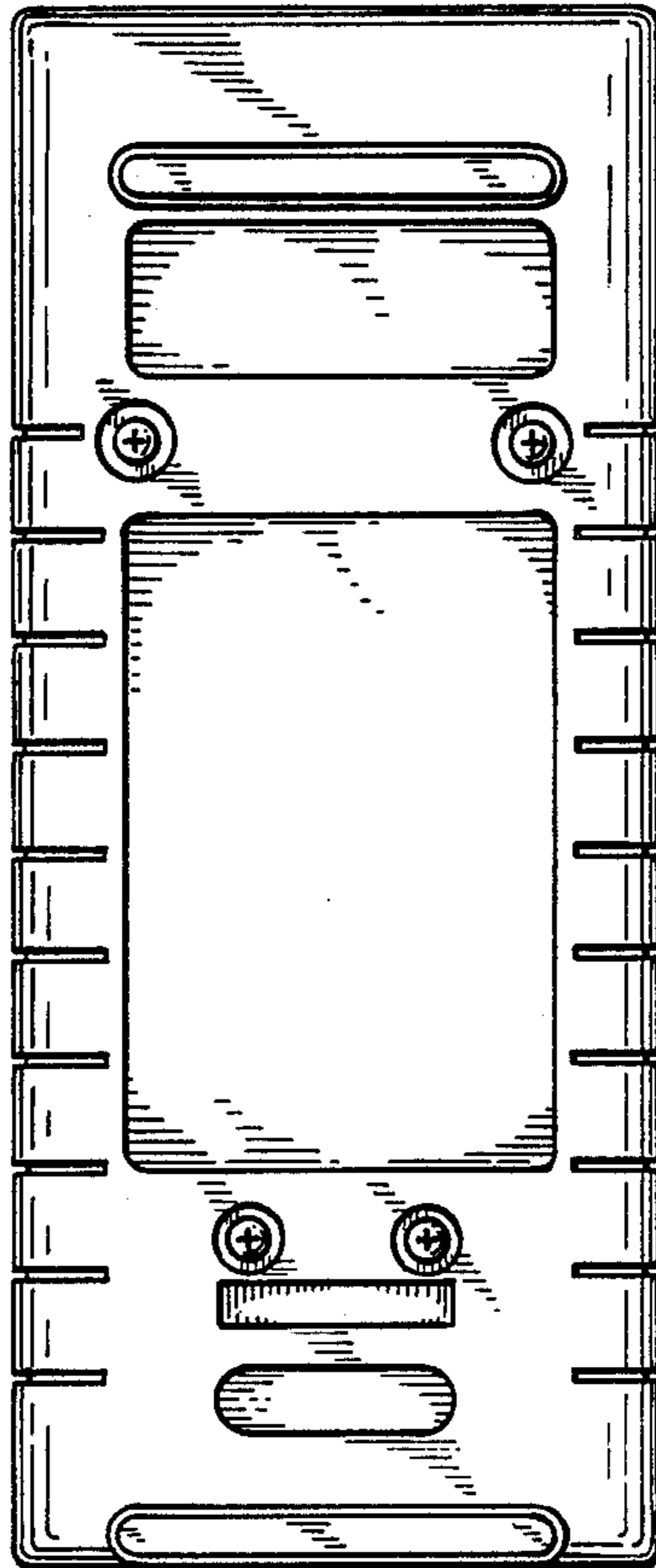


FIG. 4

