

- [54] **TOOL SETTING GAUGE**
- [75] **Inventor: Francis A. MacLean, Ontario, Canada**
- [73] **Assignee: Lee Valley Tools Ltd., Ontario, Canada**
- [**] **Term: 14 Years**
- [21] **Appl. No.: 52,891**
- [22] **Filed: May 22, 1987**
- [52] **U.S. Cl. D10/64**
- [58] **Field of Search D10/61, 64, 62; 33/201, 33/202**

2,981,005 4/1961 Moc 33/565 X
 4,584,774 4/1986 Link 33/202 X

OTHER PUBLICATIONS

Starrett, Double Squares, 3/1970, p. 165.
 Lee Valley Fine Woodworking Tools catalog, 1987, p. 146.

Primary Examiner—Bruce W. Dunkins
Assistant Examiner—Antoine D. Davis
Attorney, Agent, or Firm—Kilpatrick & Cody

[57] **CLAIM**

The ornamental design for a tool setting gauge, as shown and described.

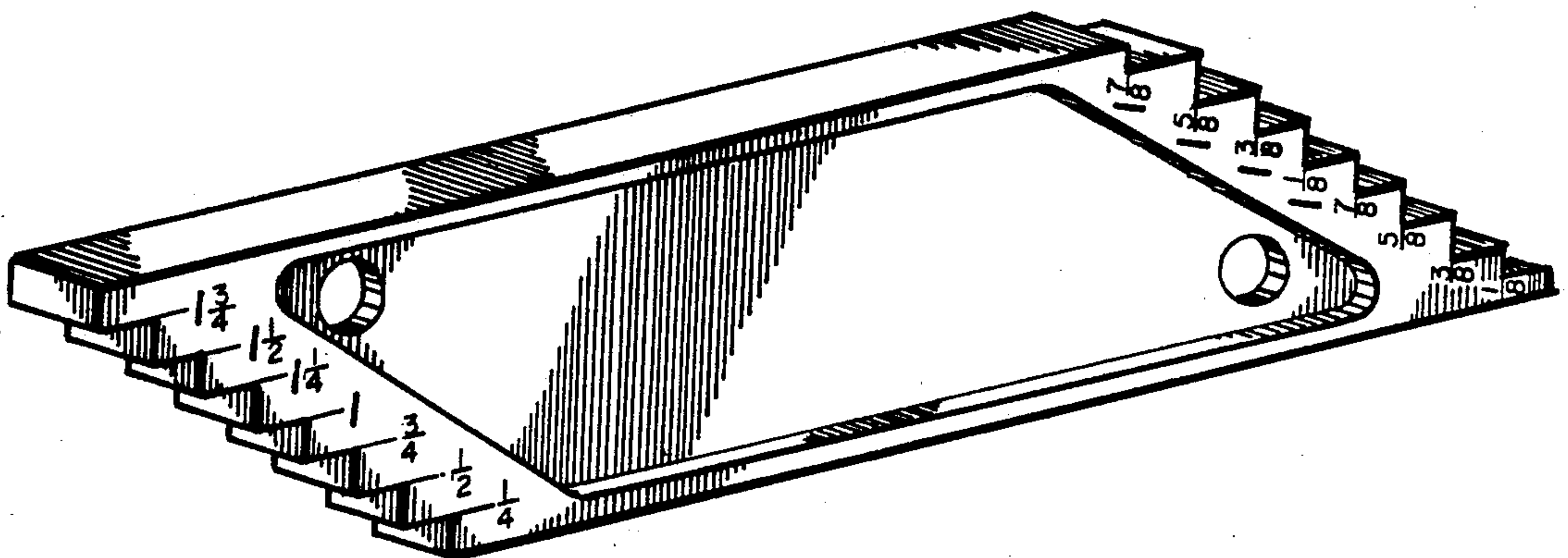
DESCRIPTION

FIG. 1 is a top, front and left side perspective view of a tool setting gauge showing my new design;
 FIG. 2 is a front elevational view;
 FIG. 3 is a top plan view;
 FIG. 4 is a rear elevational view;
 FIG. 5 is a bottom plan view;
 FIG. 6 is a right side elevational view; and
 FIG. 7 is a left side elevational view thereof.

[56] **References Cited**

U.S. PATENT DOCUMENTS

237,202	2/1881	Parker	33/562
697,701	4/1902	Ayer	33/562
872,445	12/1907	Olson et al.	33/202
1,155,715	10/1915	Faust	33/562
1,348,861	8/1920	Frye, Jr.	33/562
1,389,486	8/1921	Brewer	33/562
1,624,150	4/1927	Scherer	33/562
2,637,110	5/1953	Gilbertson	33/565 X



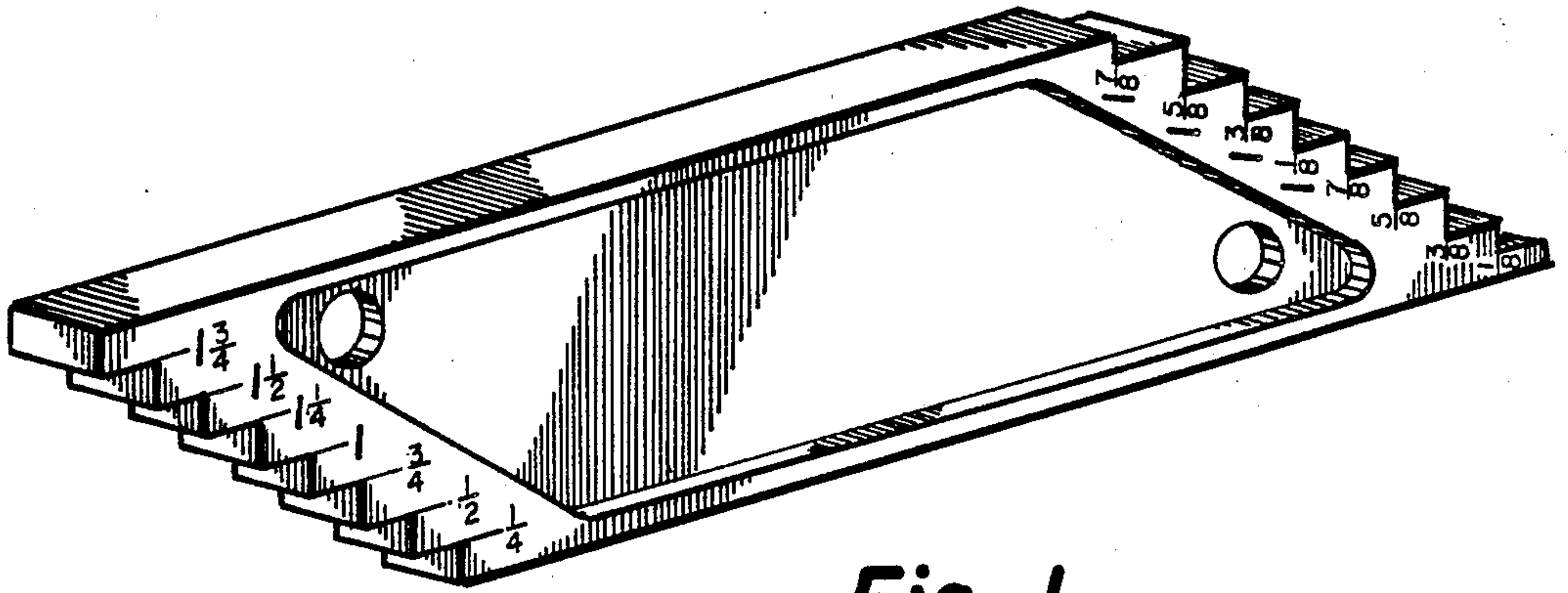


Fig. 1

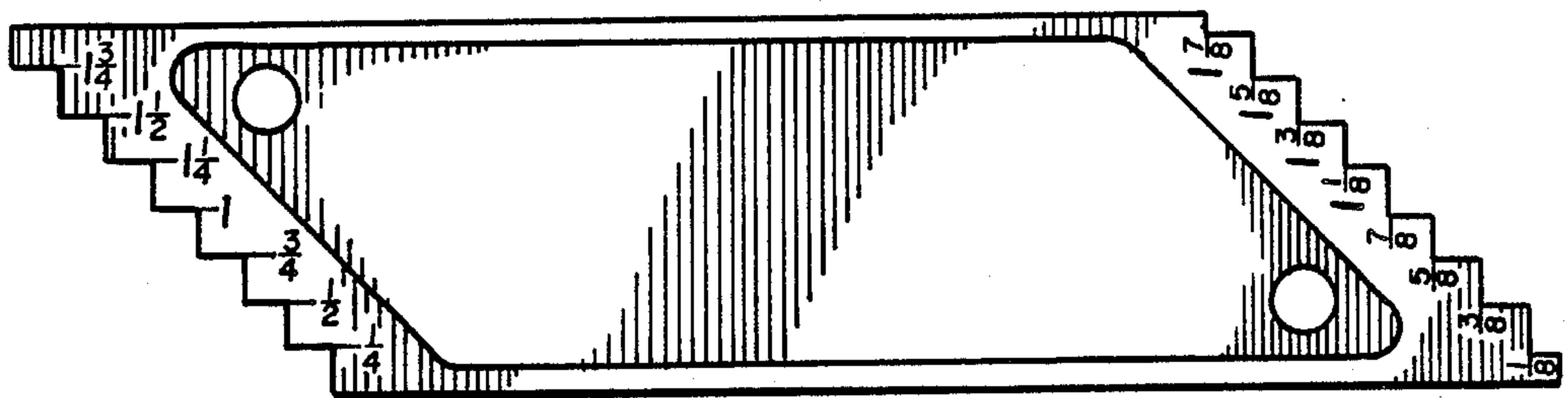


Fig. 2

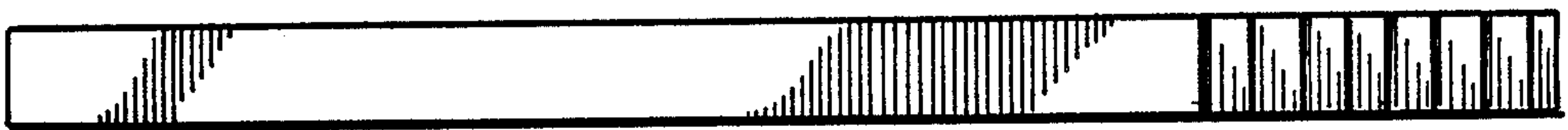


Fig. 3

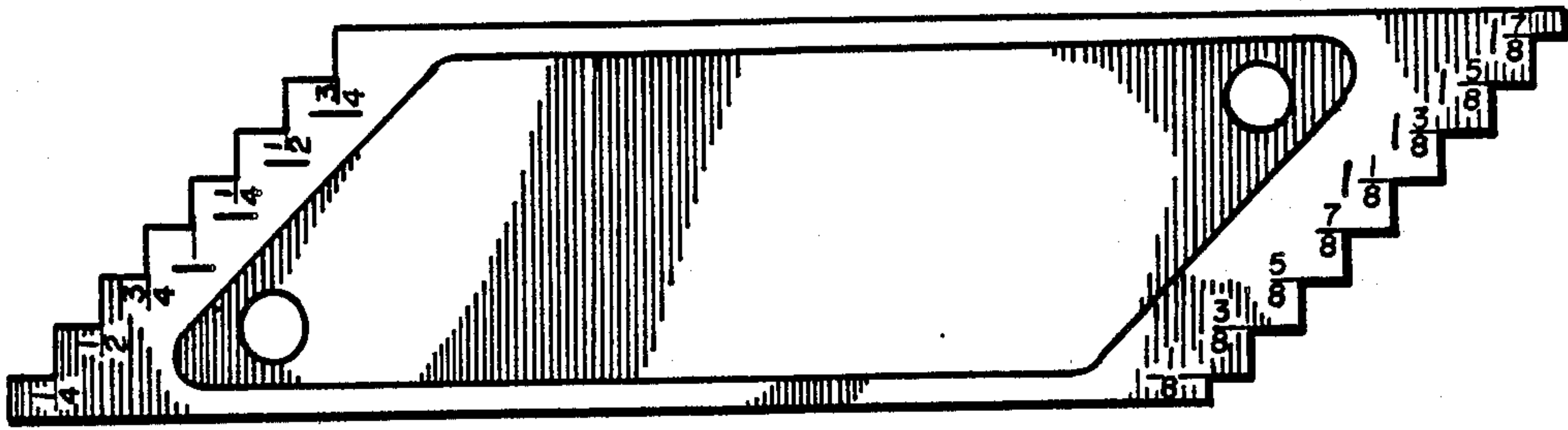


Fig. 4



Fig. 5



Fig. 6



Fig. 7