

[54] **CABLE CLIP**

[75] **Inventor: Joseph A. Anscher, Port Washington, N.Y.**

[73] **Assignee: National Molding Corp., Farmingdale, N.Y.**

[**] **Term: 14 Years**

[21] **Appl. No.: 169,337**

[22] **Filed: Mar. 17, 1988**

[52] **U.S. Cl. D8/396; D8/382**

[58] **Field of Search D8/382, 394-396, D8/356; 248/71, 74.1, 74.4; 411/510**

3,529,795 9/1970 Van Niel 248/71
 4,840,345 6/1989 Neil et al. 248/71

FOREIGN PATENT DOCUMENTS

2142376 1/1985 United Kingdom 248/74.2

Primary Examiner—B. J. Bullock
Attorney, Agent, or Firm—Kenyon & Kenyon

[57] **CLAIM**

The ornamental design for a cable clip, as shown and described.

DESCRIPTION

FIG. 1 is a perspective view of a cable clip showing my new design, in the open position;
 FIG. 2 is a right side elevational view thereof, the left side being a mirror image;
 FIG. 3 is a top plan view thereof;
 FIG. 4 is a front elevational view thereof;
 FIG. 5 is a rear elevational view thereof;
 FIG. 6 is a bottom plan view thereof.

[56] **References Cited**

U.S. PATENT DOCUMENTS

D. 274,213 6/1984 Omata D8/356
 D. 293,205 12/1987 Nakano D8/395
 3,074,675 1/1963 Brown 248/74.3

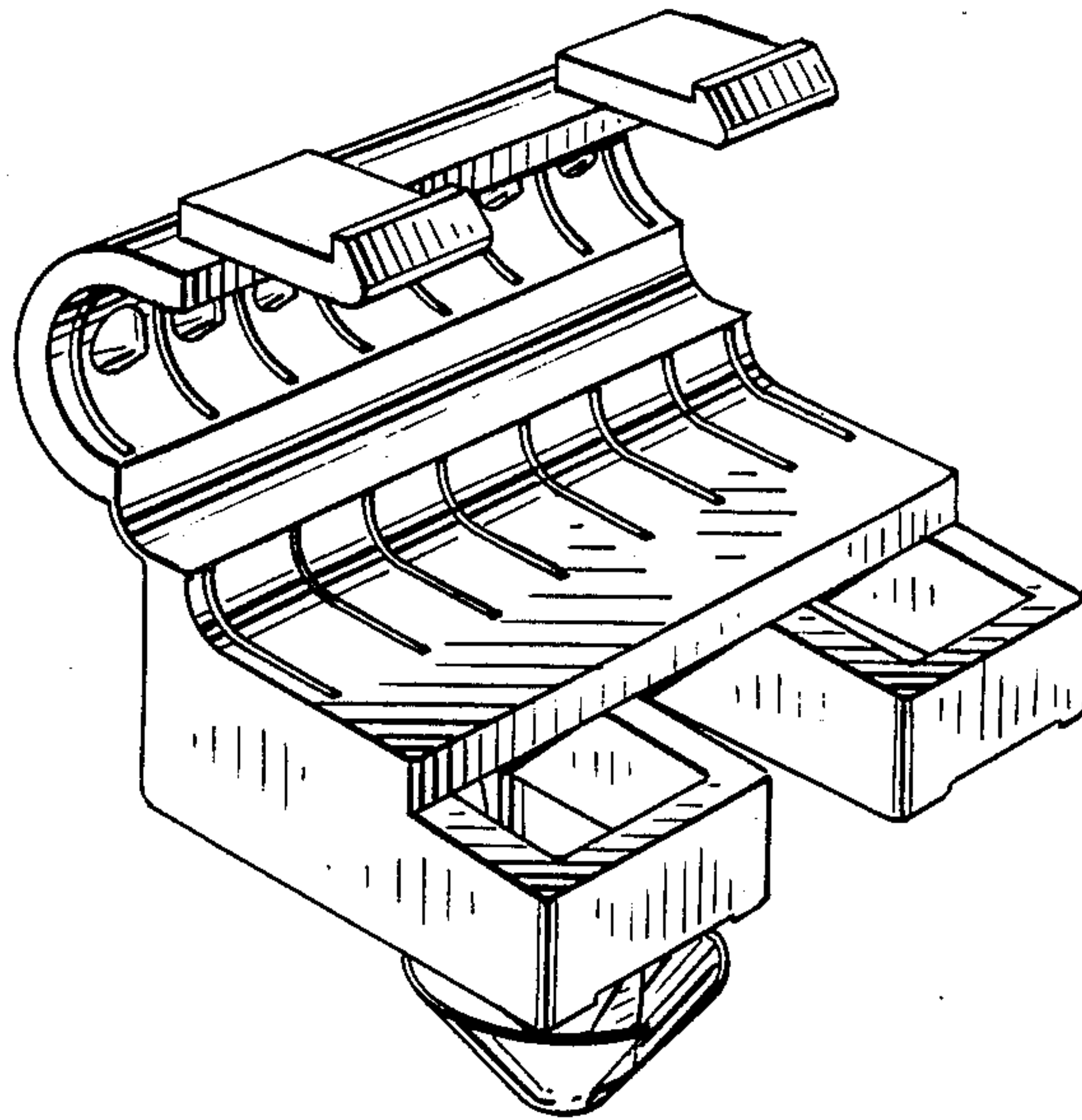


Fig. 1.

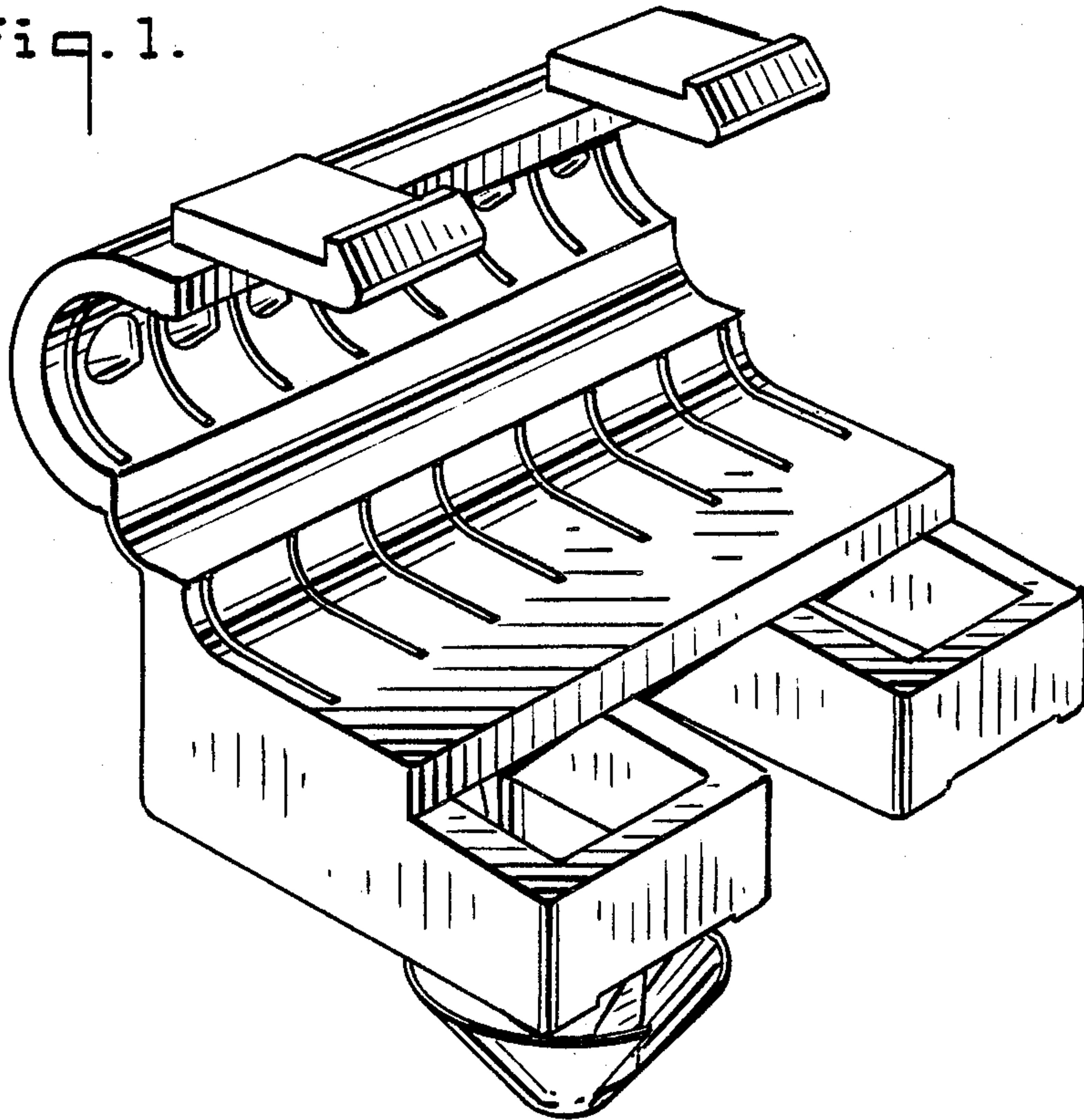


Fig. 2.

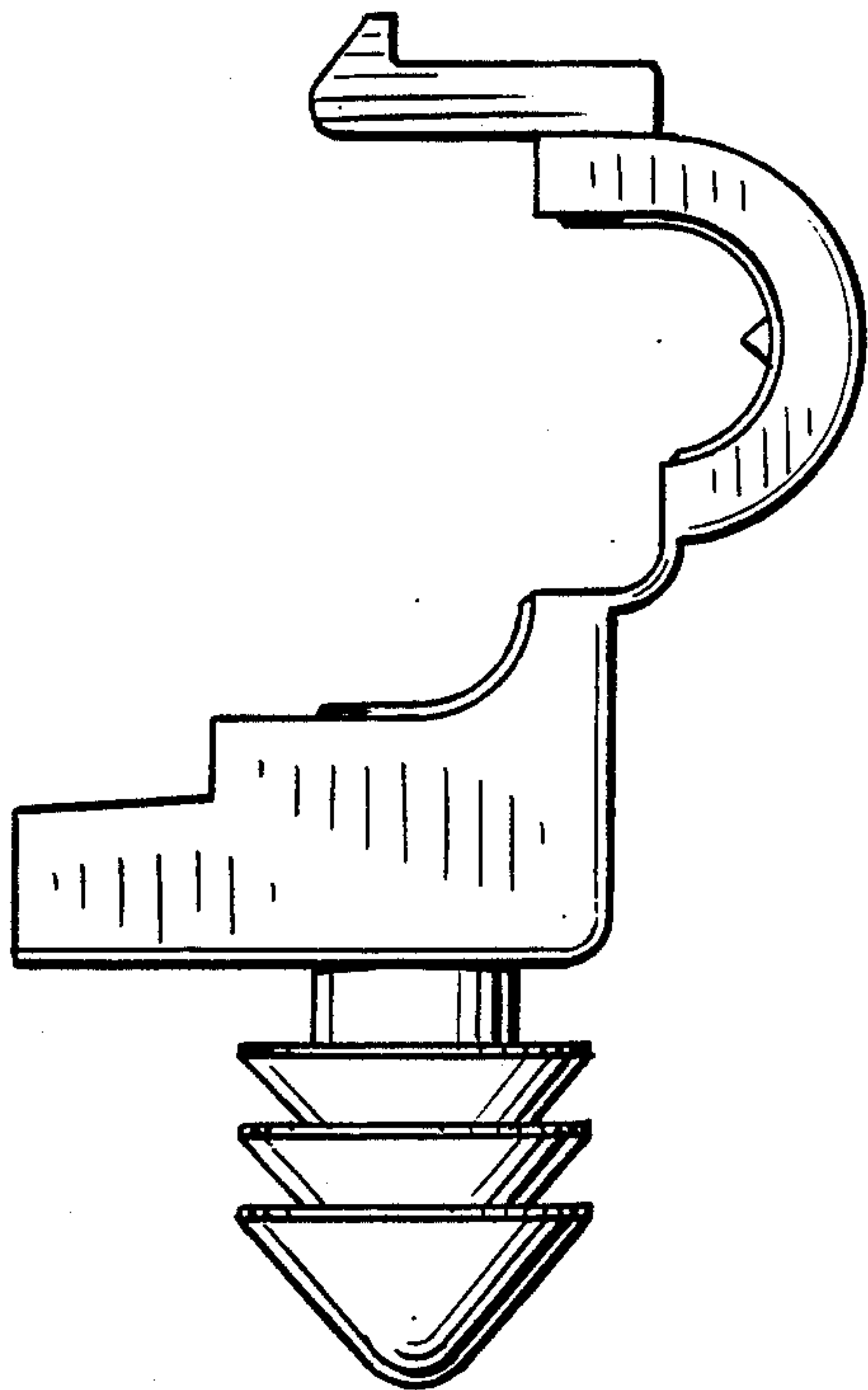


Fig. 3.

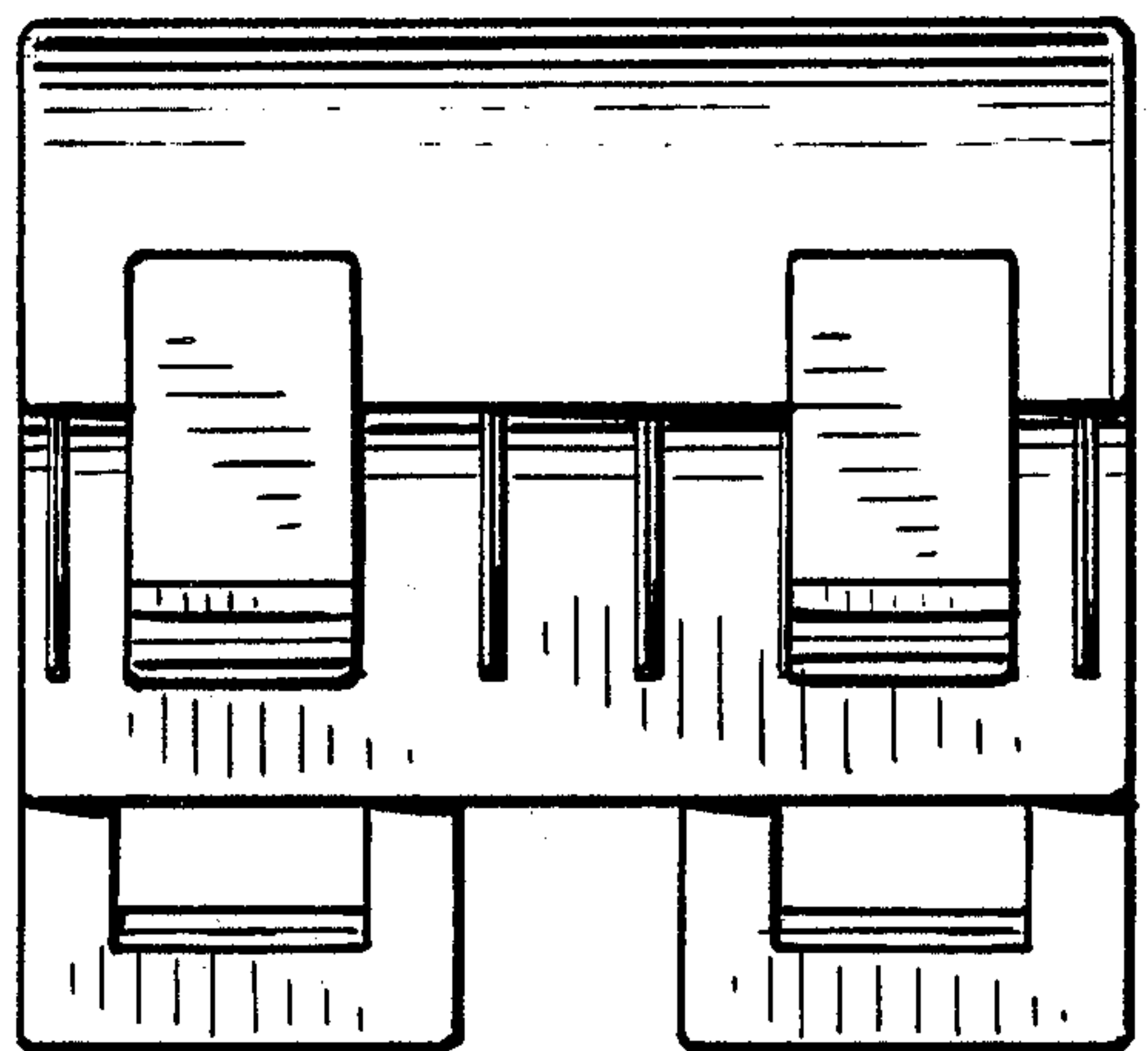


Fig. 4.

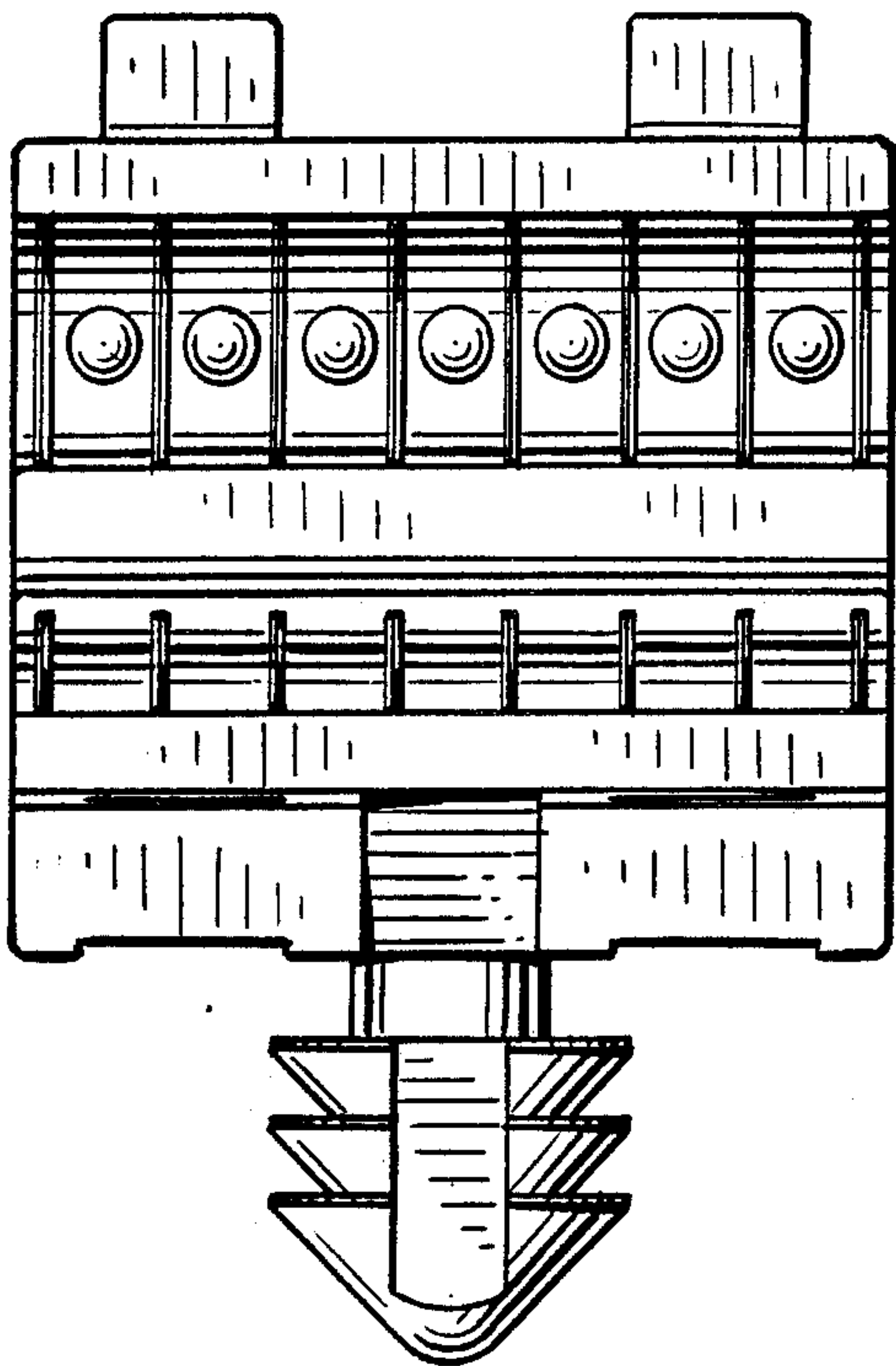


Fig. 5.

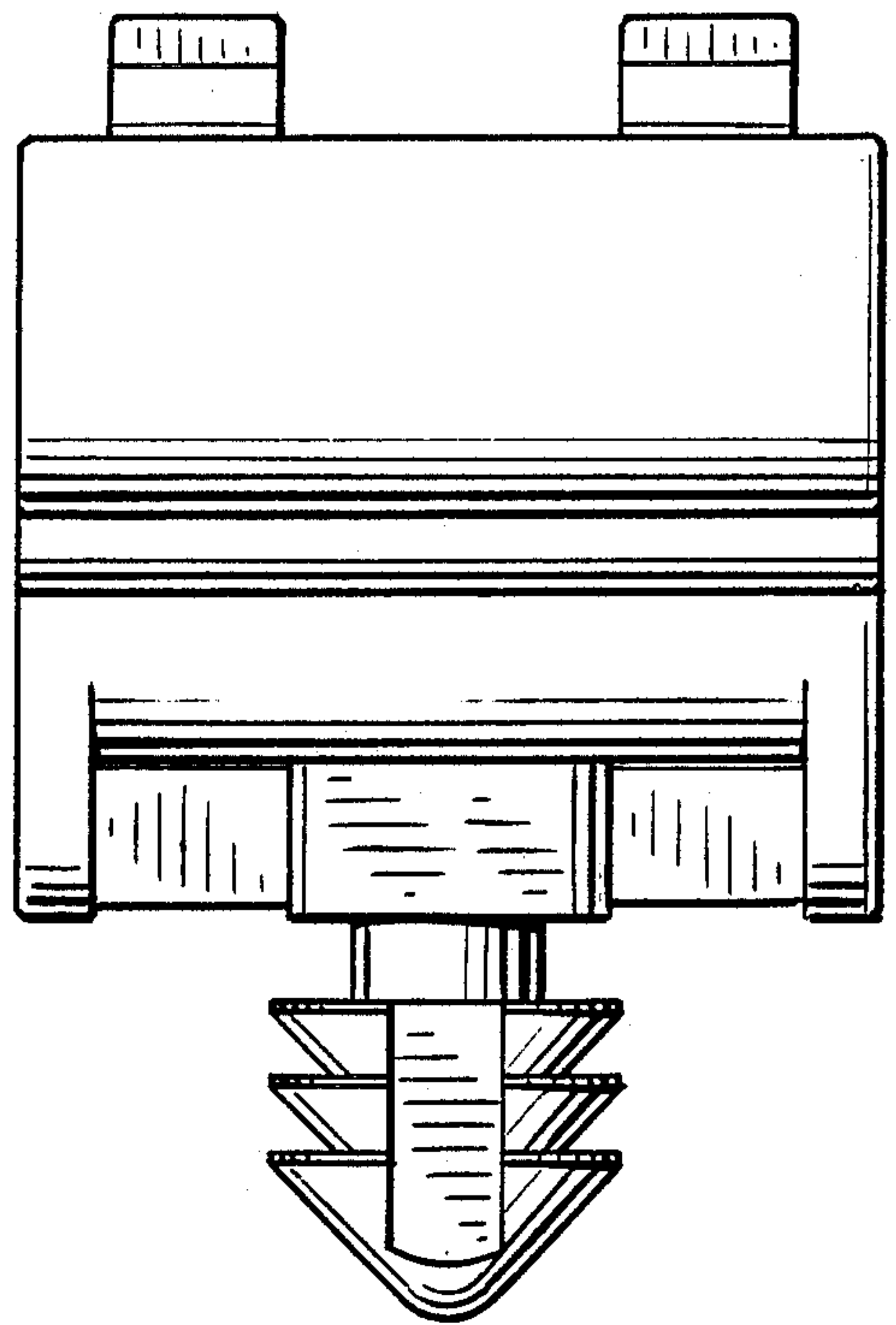


Fig. 6.

