

[54] MAGNETIC RETAINING CLAMP FOR CALL LIGHT AND TV MONITOR CABLE FOR HOSPITAL BEDS

[76] Inventor: Thomas C. Powrzasnas, 12601 S. Green Dr., Apt. 1815, Houston, Tex. 77034

[**] Term: 14 Years

[21] Appl. No.: 939,879

[22] Filed: Dec. 9, 1986

[52] U.S. Cl. D8/396; D13/183

[58] Field of Search D8/349, 354, 356, 396; 248/63, 74.1, 206.5, 225.31, 230, 534, 535, 537, 49, 51; D13/99

[56] References Cited

U.S. PATENT DOCUMENTS

D. 202,294	9/1965	Heifetz	D8/396
D. 289,732	5/1987	Jason	D8/396 X
1,777,884	10/1930	Hori	248/230
2,901,200	8/1959	Voeks	248/71 X
3,026,076	3/1962	Bender	248/49

3,294,347	12/1966	Mongesku et al.	248/534
4,593,877	6/1986	van der Wyk	248/535 X

FOREIGN PATENT DOCUMENTS

707857	4/1965	Canada	248/206.5
--------	--------	--------	-------	-----------

Primary Examiner—Susan J. Lucas
Assistant Examiner—M. H. Tung
Attorney, Agent, or Firm—Neal J. Mosely

[57] CLAIM

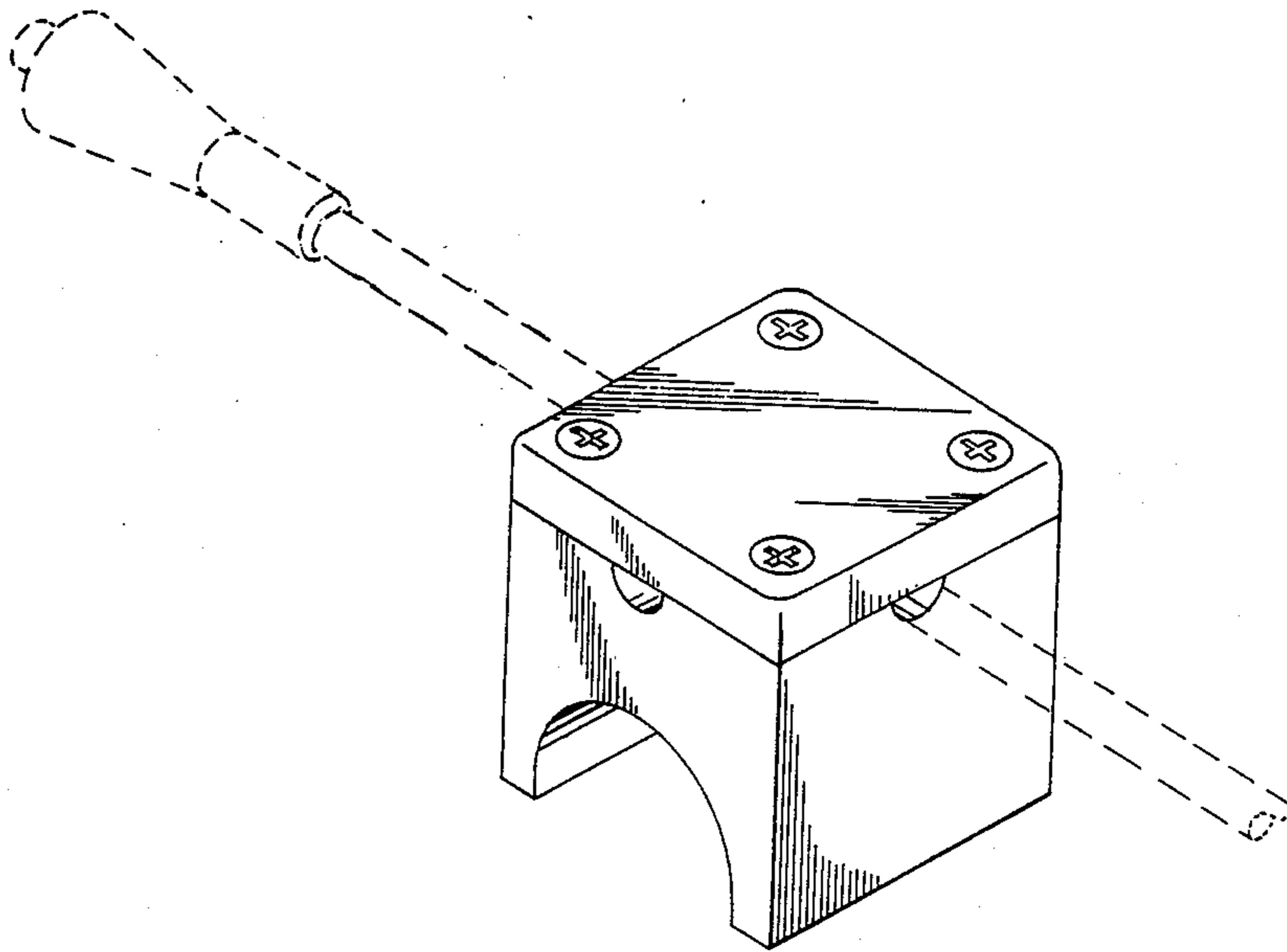
The ornamental design for a magnetic retaining clip for call light and TV monitor cable for hospital beds, as shown and described.

DESCRIPTION

FIG. 1 is a top, isometric view of a magnetic retaining clip for call light and TV monitor cable for hospital beds showing my new design, the opposite side being a mirror image.

FIG. 2 is a bottom isometric view thereof, the opposite side being a mirror image.

The broken lines are for illustrative purposes only and form no part of the claimed design.



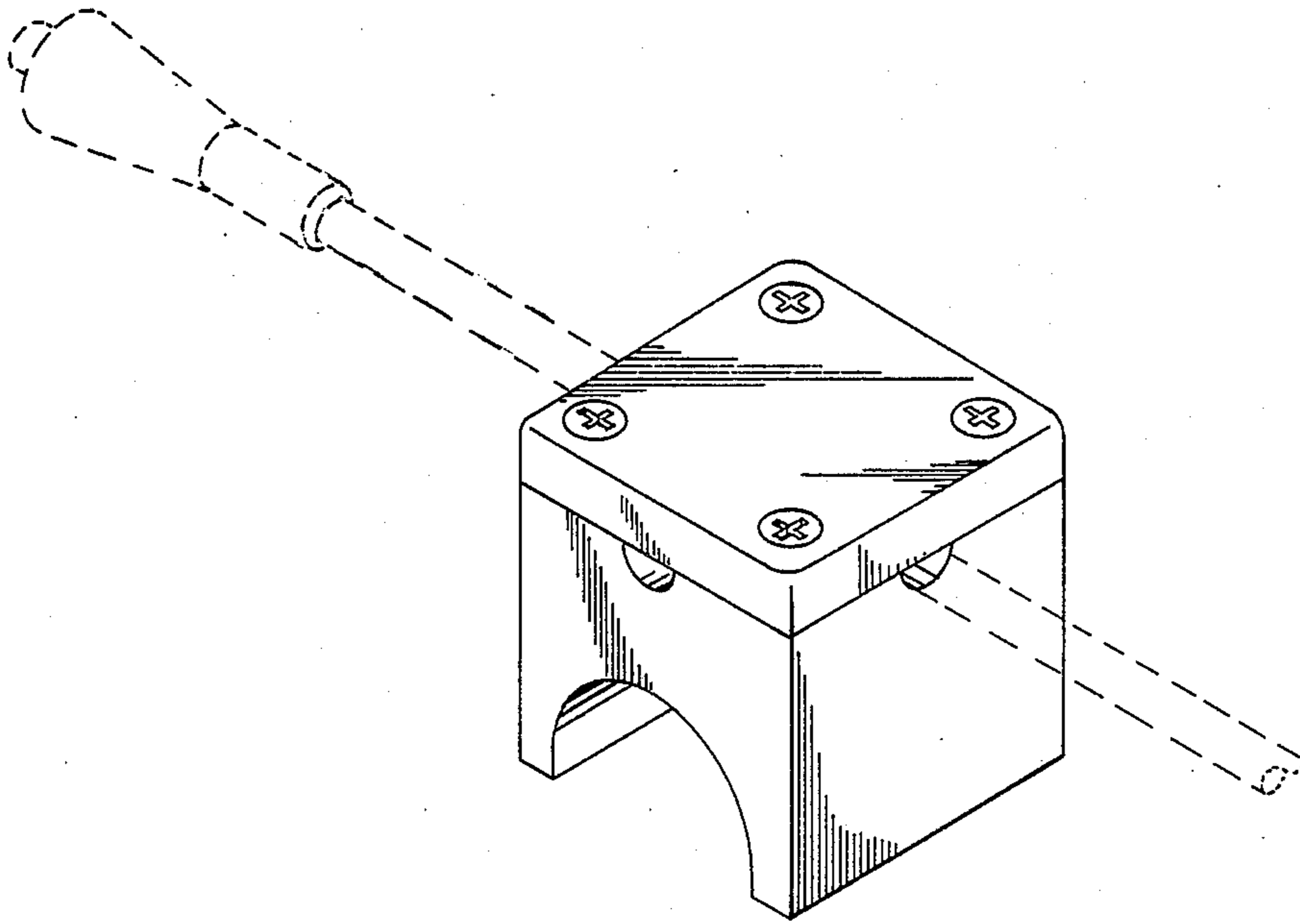


FIG. 1

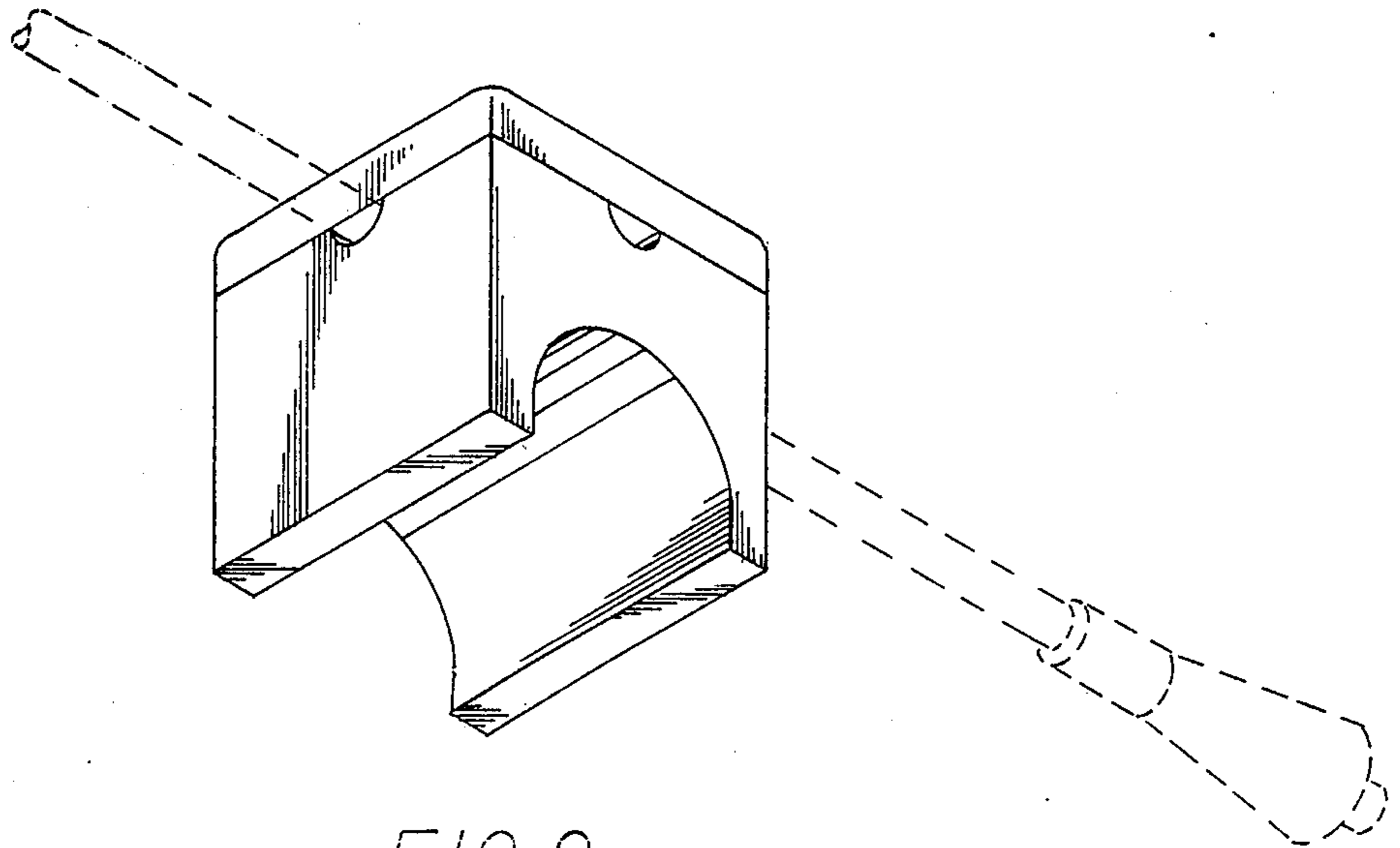


FIG. 2