

[54] HEADER HOOK OR SIMILAR ARTICLE

[76] Inventors: Kevin R. Petty; Norma J. Petty, both of 900 W. Victory Rd., Meridian, Id. 83642

[\*\*] Term: 14 Years

[21] Appl. No.: 945,312

[22] Filed: Dec. 22, 1986

[52] U.S. Cl. .... D8/367; D8/354; D8/373; 248/332

[58] Field of Search ..... D8/367, 373; 248/332, 248/340, 339, 308, 305, 304, 218, 217

[56] References Cited

U.S. PATENT DOCUMENTS

- D. 267,685 1/1983 Vrignaund ..... D8/367
- D. 288,283 2/1987 Mattson ..... D8/373
- 1,839,579 1/1932 Murray ..... 248/332 X

- 1,894,895 7/1933 Steele et al. .... 248/340 X
- 3,139,260 6/1964 Hamel ..... D8/373 X
- 3,912,214 10/1975 Karass ..... 248/340 X
- 4,057,211 11/1977 Moore ..... 248/332
- 4,094,490 6/1978 Einhorn ..... 248/304 X
- 4,213,418 7/1980 Oswald ..... 248/340 X
- 4,310,094 1/1982 Hoitchkiss, Jr. .... 211/60

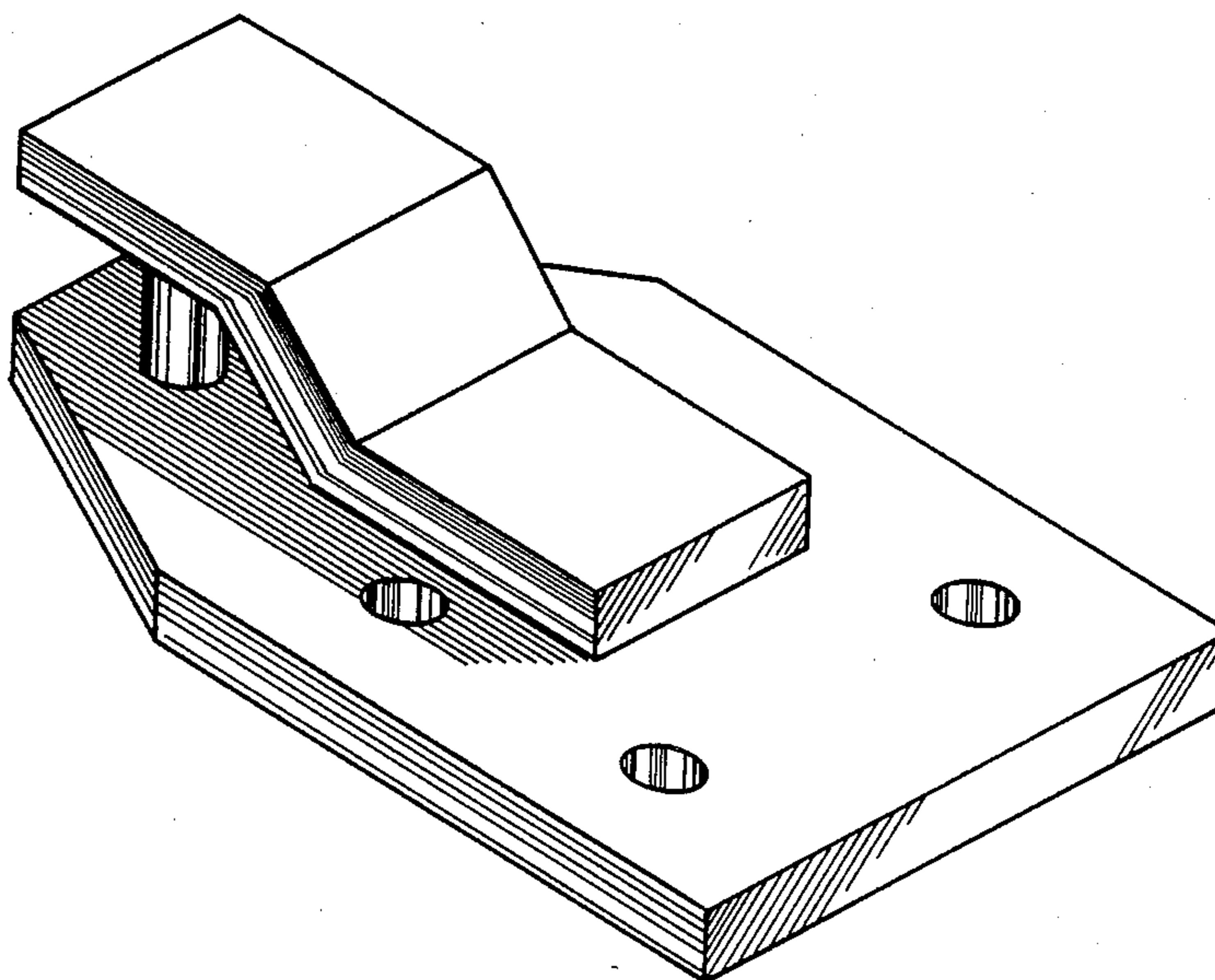
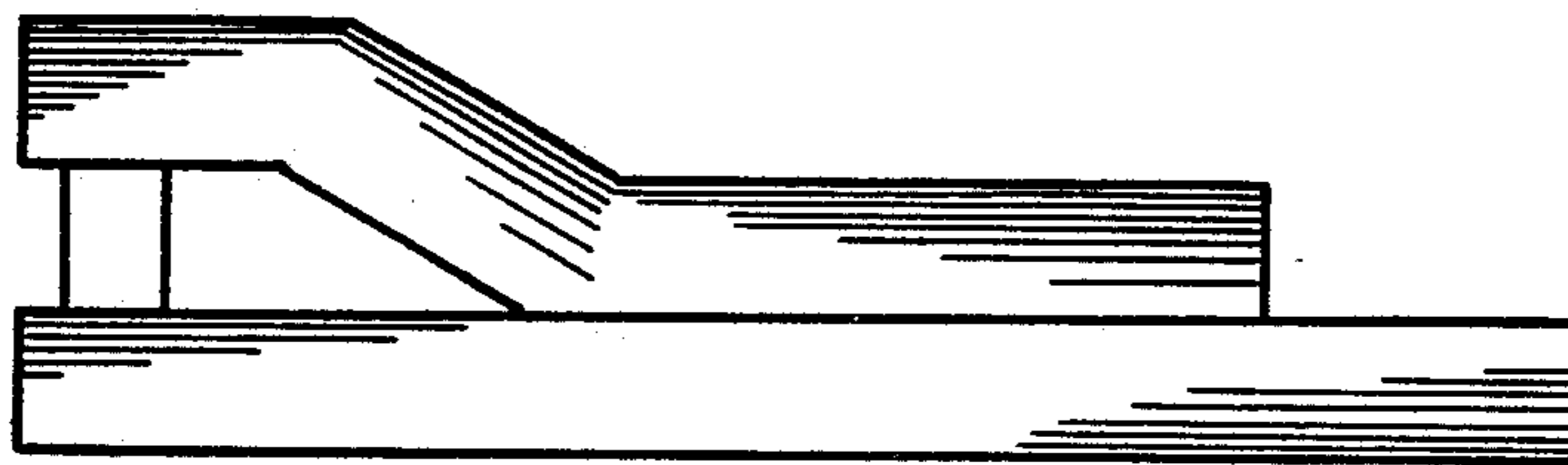
Primary Examiner—Horace B. Fay, Jr.  
Attorney, Agent, or Firm—Frank J. Dykas; Craig M. Korfanta

[57] CLAIM

The ornamental design for a header hook or similar article, as shown and described.

DESCRIPTION

FIG. 1 is a front, top and right side perspective view of a header hook or similar article; FIG. 2 is a right side elevational view, the side opposite being a mirror image thereof; and FIG. 3 is a rear elevational view thereof.



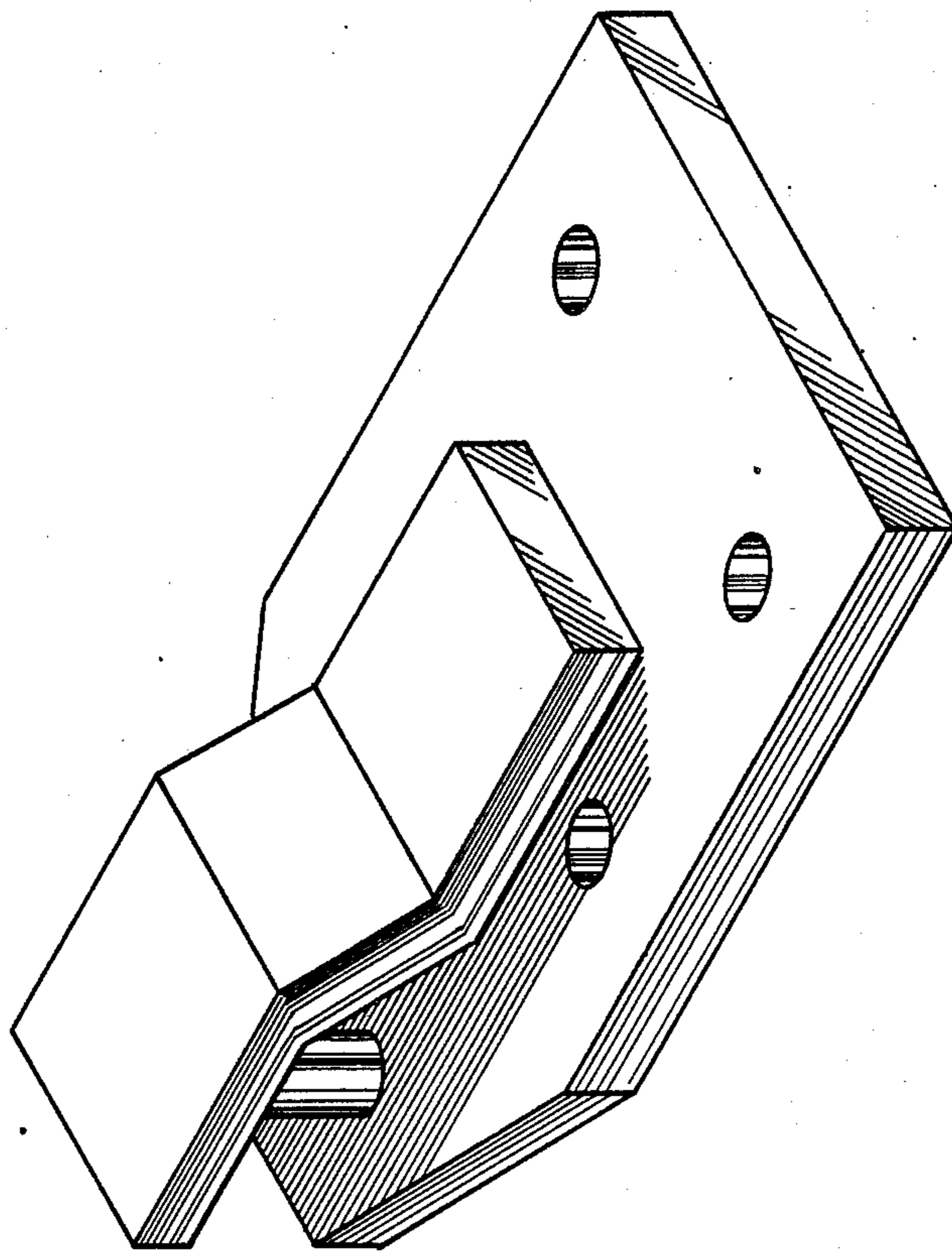


FIG. 1

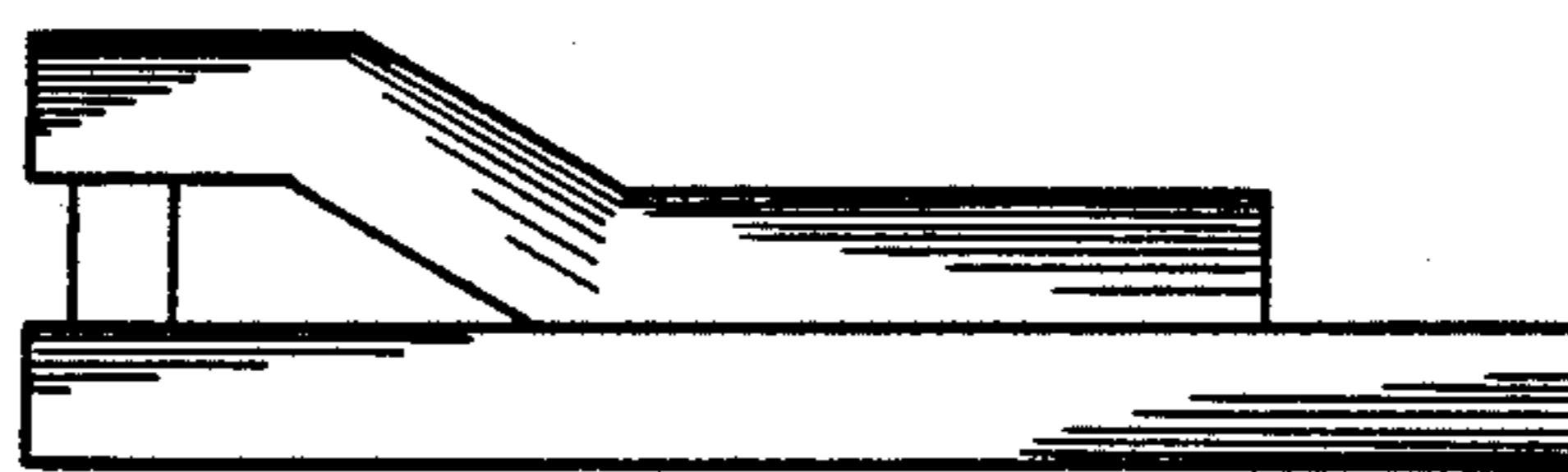


FIG. 2

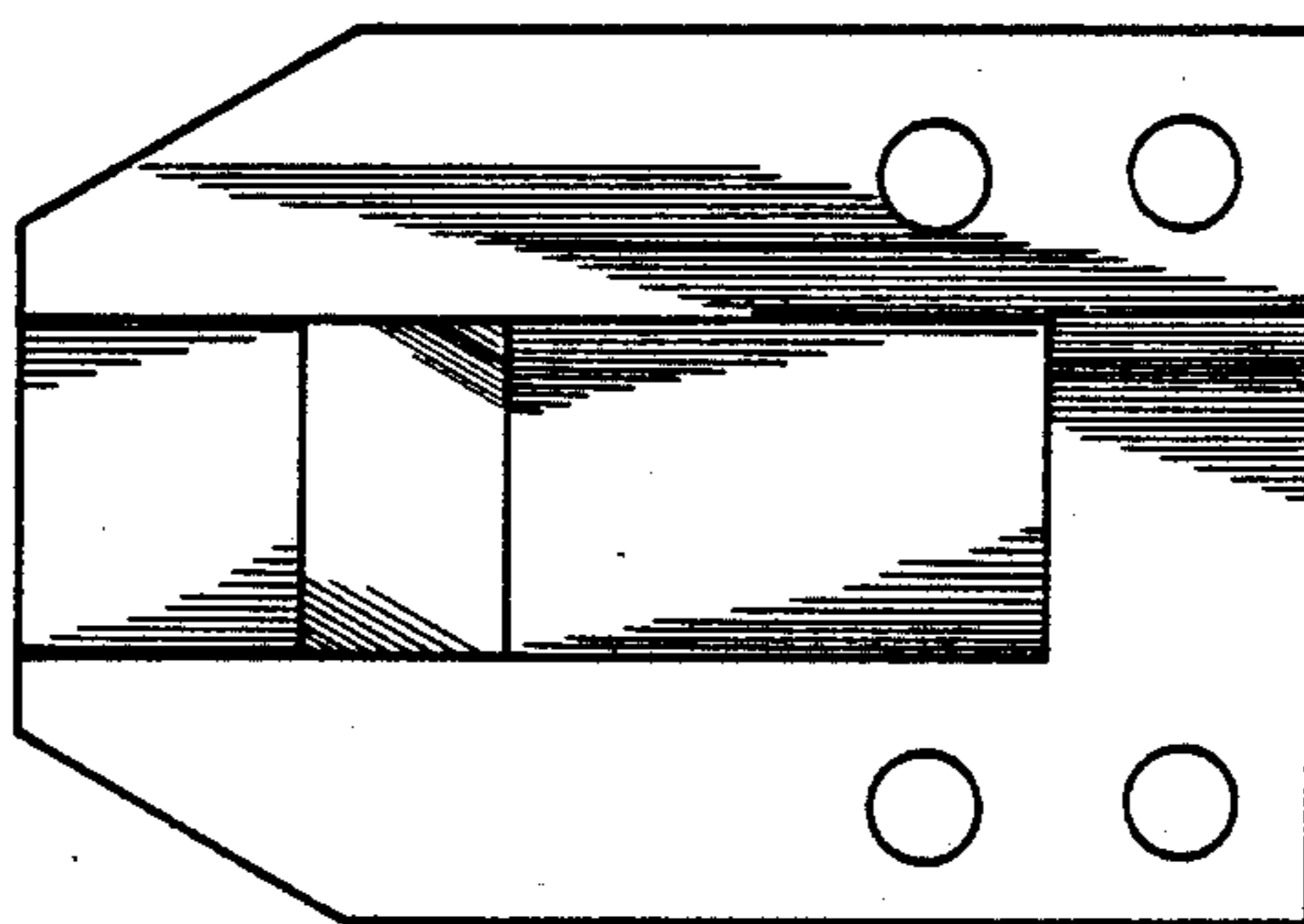


FIG. 3