

[54] COMBINED BATTERY-POWERED SCISSORS AND FLASHLIGHT

[75] Inventor: Tsunehiro Kawabata, Habikino, Japan

[73] Assignee: Clover Mfg. Co., Ltd., Osaka, Japan

[**] Term: 14 Years

[21] Appl. No.: 84,119

[22] Filed: Aug. 12, 1987

[52] U.S. Cl. D8/61; D26/38

[58] Field of Search D8/61, 62, 63; D7/139; D4/100, 101; D19/53; 310/50; D26/37, 38; 30/228, DIG. 1

[56] References Cited

U.S. PATENT DOCUMENTS

- D. 282,267 1/1986 Coyne D4/101 X
- D. 294,064 2/1988 Wan D26/38
- 1,972,879 9/1934 Flintermann D26/38 X

OTHER PUBLICATIONS

Merchandise Week; 11/1969; p. 33; RCA "Mini-Scissors".

Primary Examiner—Winifred E. Herrmann

Assistant Examiner—John Warchol

[57] CLAIM

The ornamental design for a combined battery-powered scissors and flashlight, as shown and described.

DESCRIPTION

FIG. 1 is a top, front and right side perspective view of a combined battery-powered scissors and flashlight showing my new design;

FIG. 2 is a right side elevational view thereof;

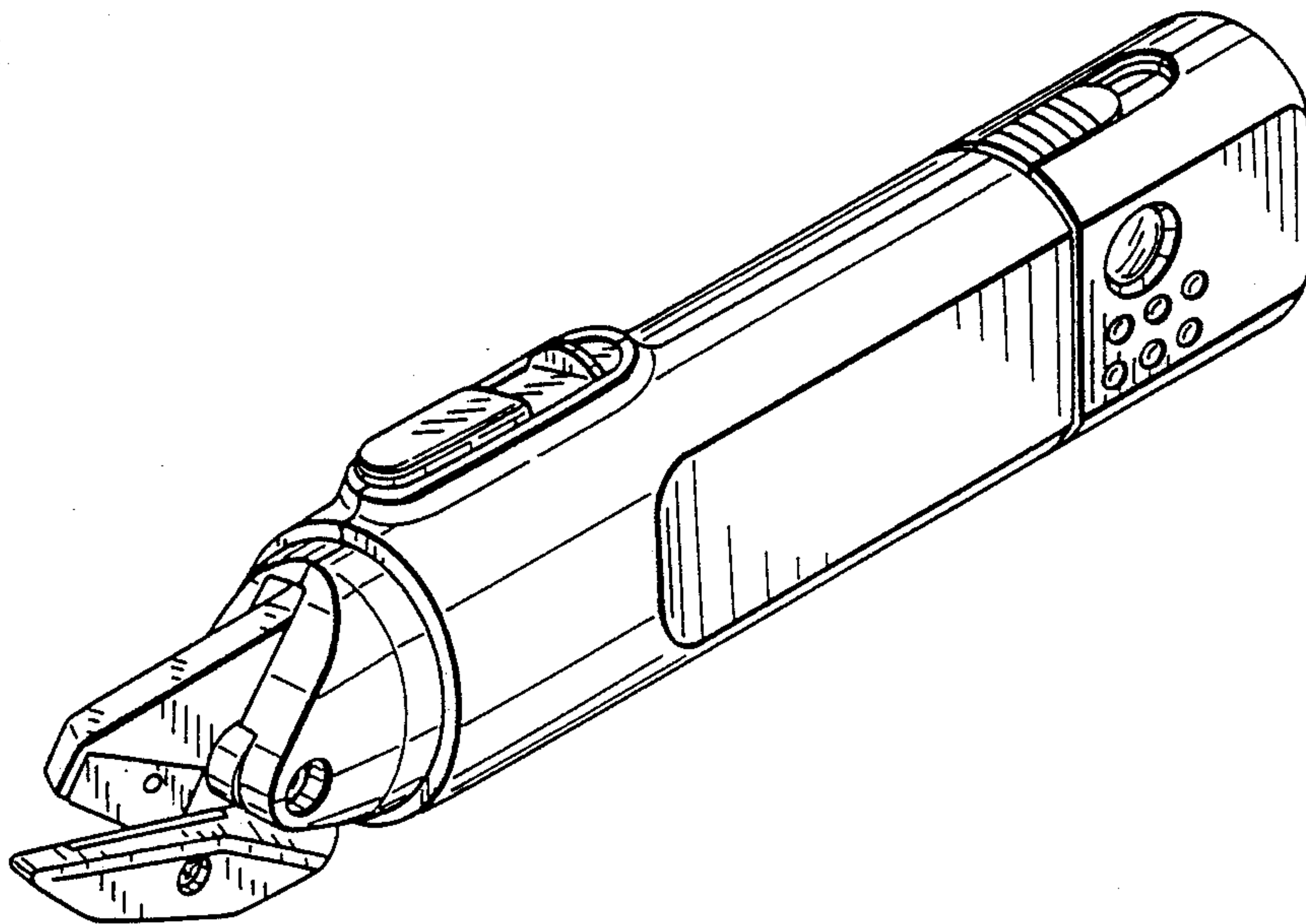
FIG. 3 is a left side elevational view thereof;

FIG. 4 is a front elevational view thereof;

FIG. 5 is a rear elevational view thereof;

FIG. 6 is a top plan view thereof; and

FIG. 7 is a bottom plan view thereof.



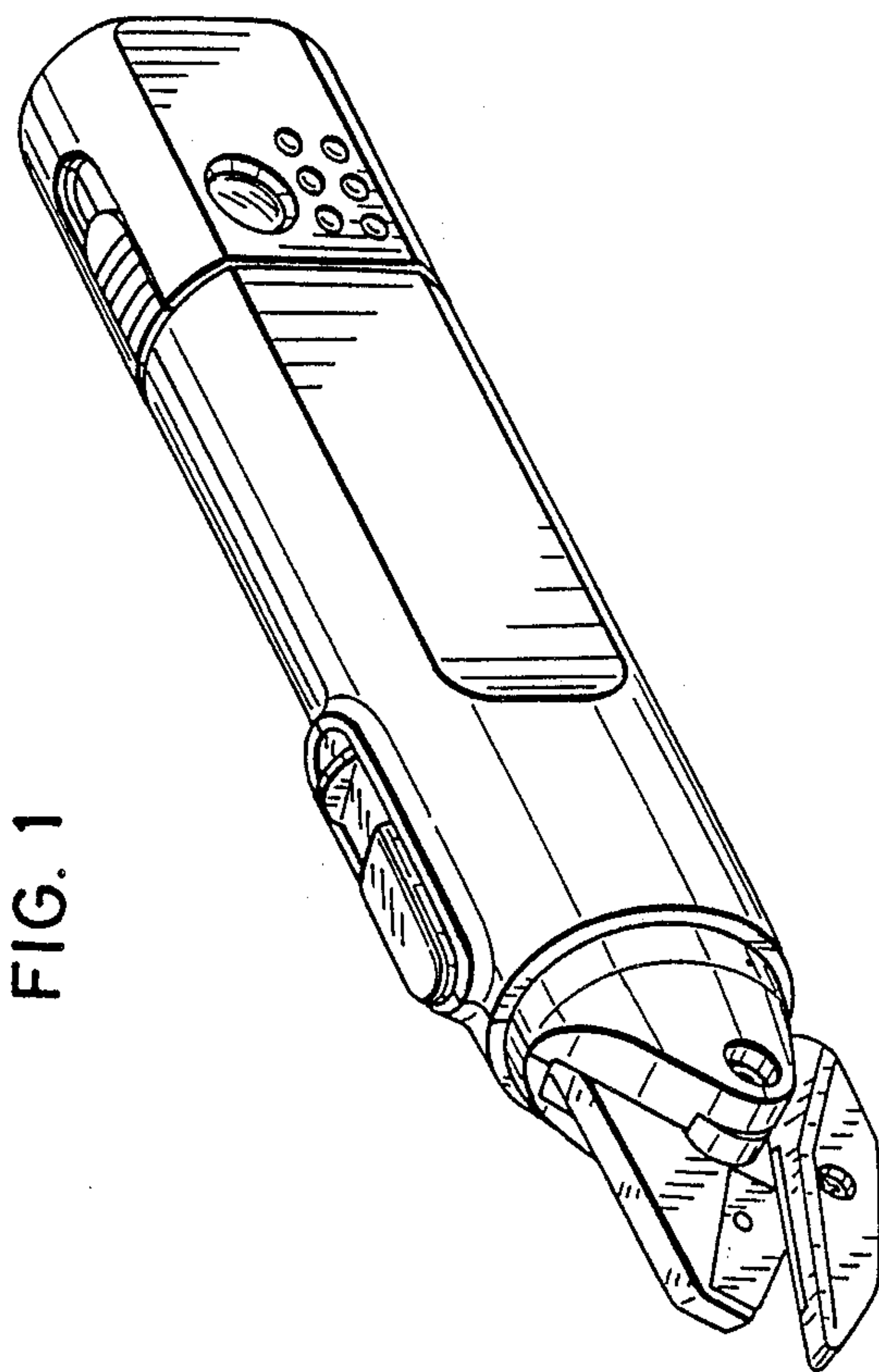


FIG. 1

FIG. 4

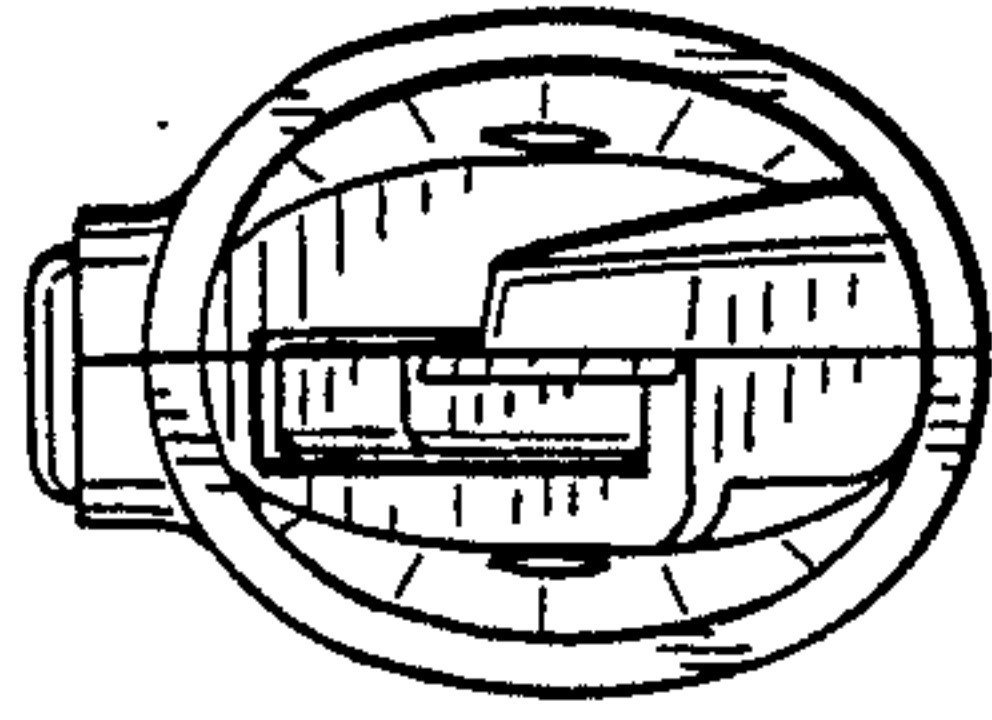


FIG. 5

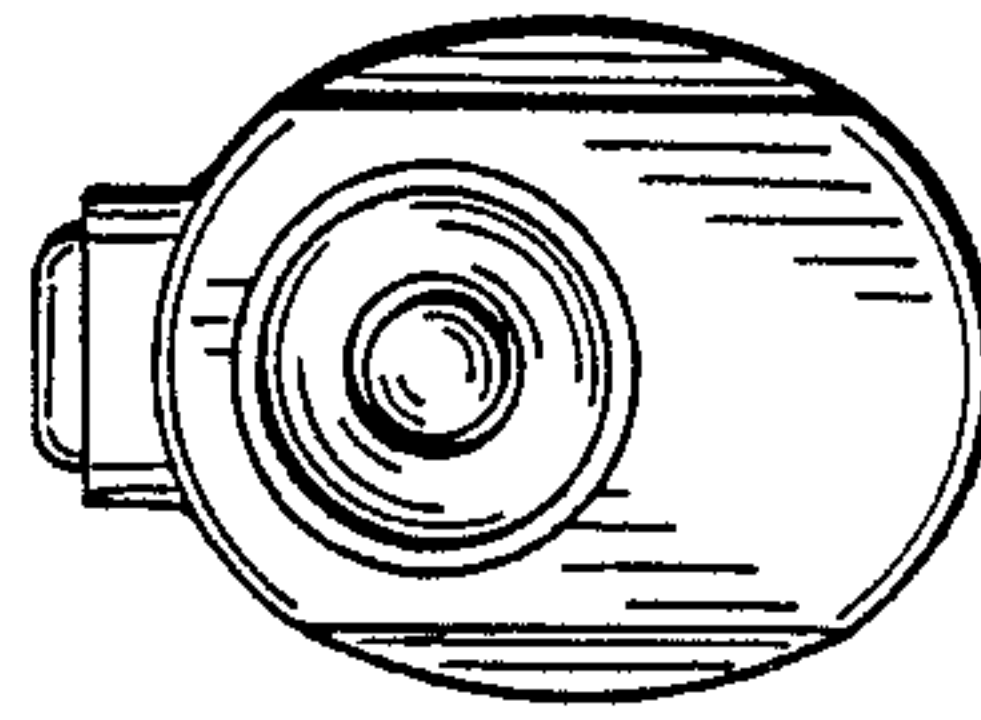


FIG. 2

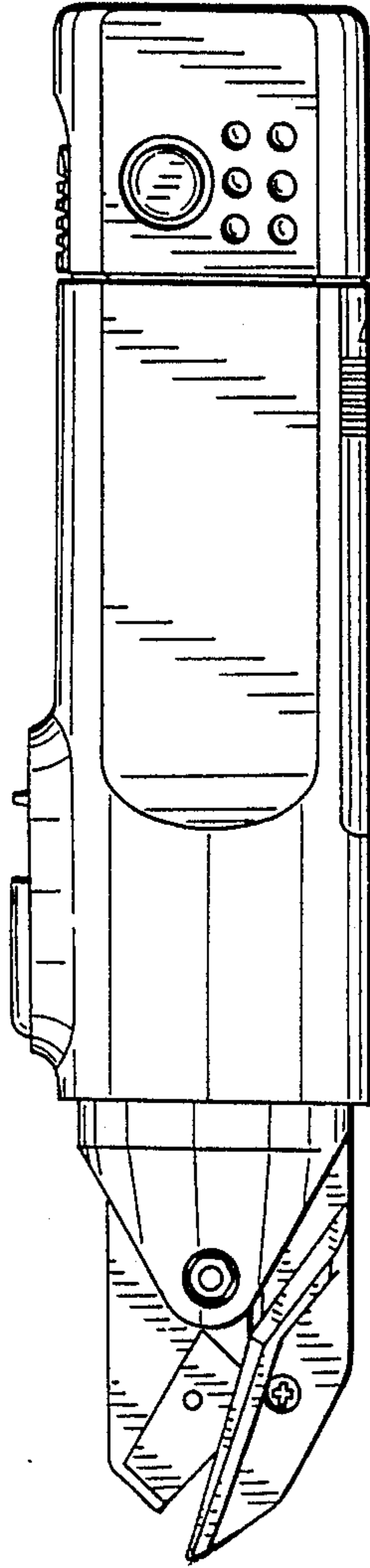


FIG. 3

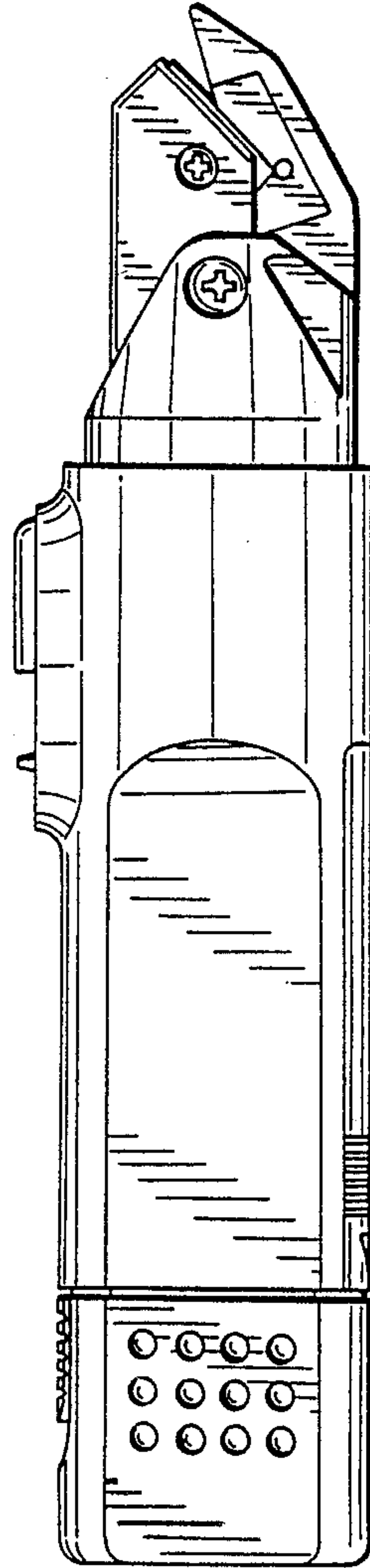


FIG. 6

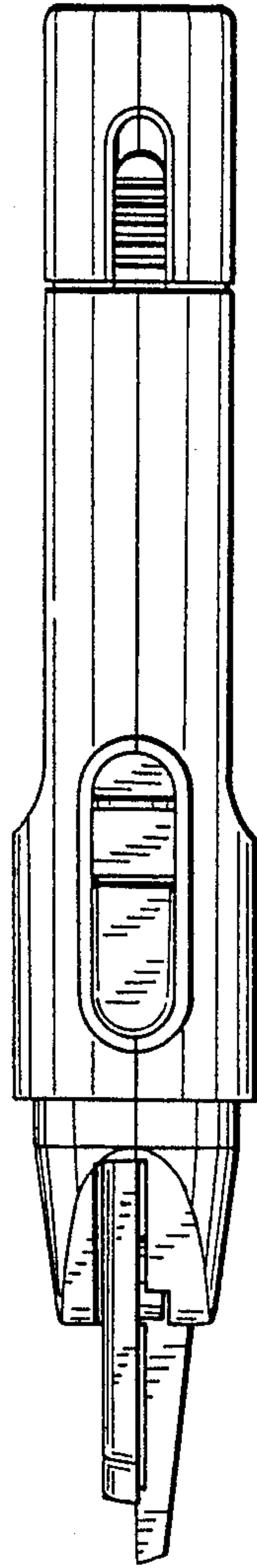


FIG. 7

