

[54] **TACKER**

[75] **Inventor: Lars-Göran Rosenblad, Gränna, Sweden**

[73] **Assignee: Isaberg AG, Hestra, Sweden**

[*] **Notice: The portion of the term of this patent subsequent to Jul. 1, 2000 has been disclaimed.**

[**] **Term: 14 Years**

[21] **Appl. No.: 78,076**

[22] **Filed: Jul. 27, 1987**

[30] **Foreign Application Priority Data**

Mar. 3, 1987 [SE] Sweden 87-0480

[52] **U.S. Cl. D8/49**

[58] **Field of Search D8/49, 50; 227/127-128, 132; D24/26-27, 23**

[56]

References Cited

U.S. PATENT DOCUMENTS

D. 151,692	0/1948	Heller .	
D. 165,414	0/1951	Crosby et al. .	
D. 184,265	0/1959	Ruskin .	
D. 284,446	0/1986	Rosenblad	D8/49
2,309,628	0/1943	Crosby .	
2,456,526	0/1948	Morberg et al. .	
2,936,456	0/1960	Ruskin .	
4,452,388	6/1984	Fealey	227/132

Primary Examiner—Bernard Ansher
Assistant Examiner—Terry A. Pfeffer
Attorney, Agent, or Firm—Shapiro and Shapiro

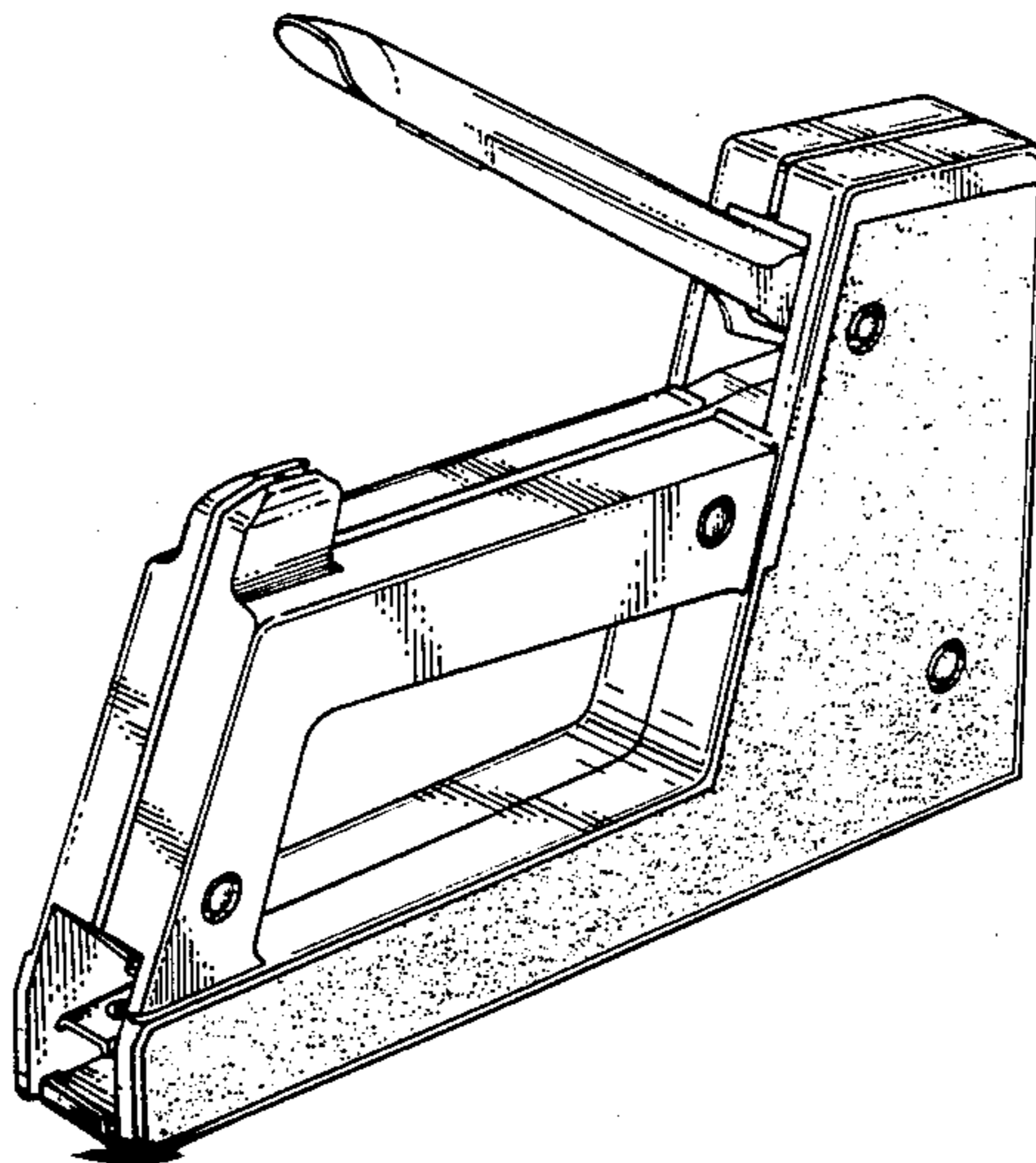
[57]

CLAIM

The ornamental design for a tacker, as shown.

DESCRIPTION

FIG. 1 is a top, rear, right side perspective view of a tacker showing my new design; and **FIG. 2** is a bottom, front, left side perspective view thereof.



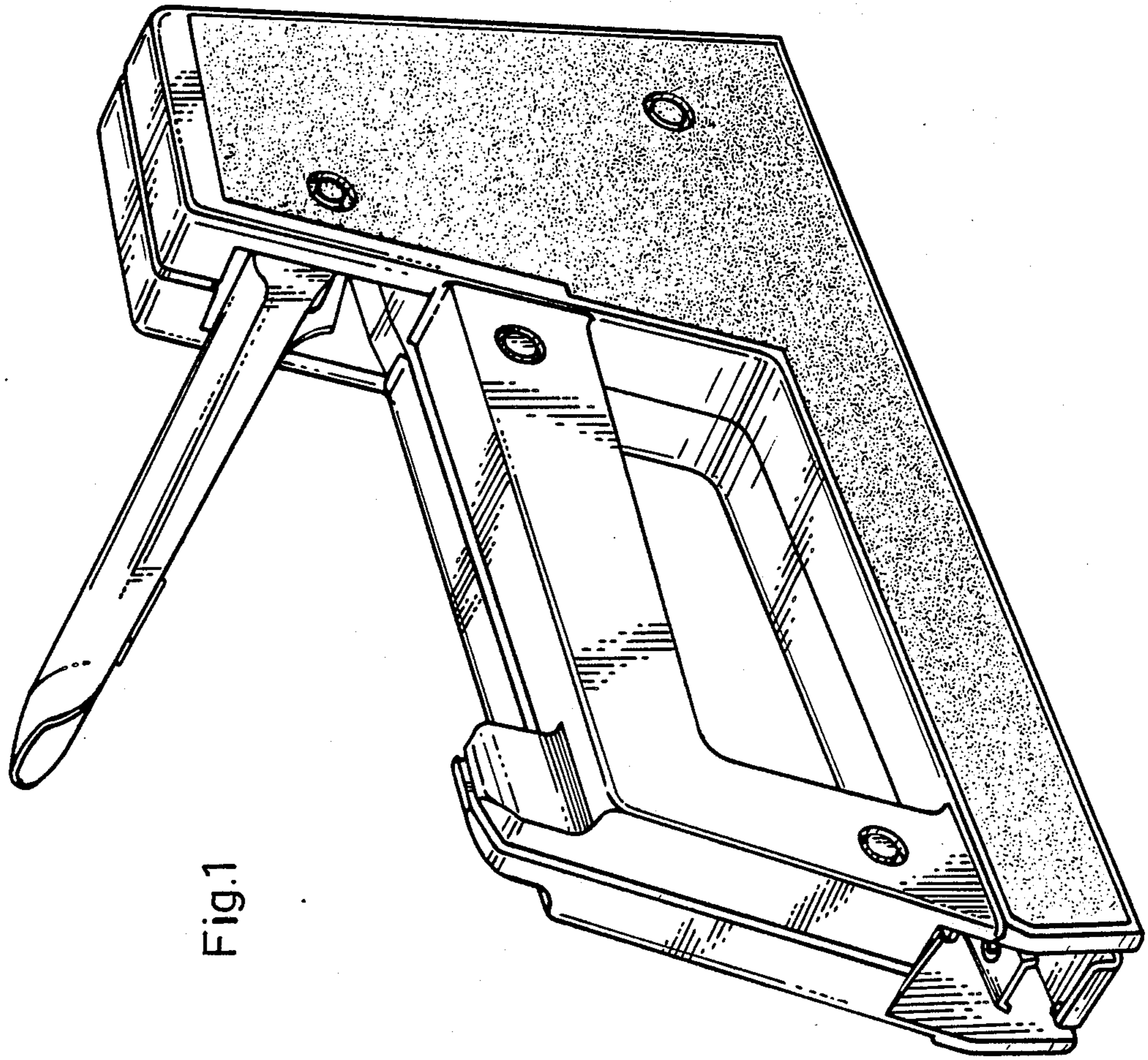


Fig. 1

Fig. 2

