

United States Patent [19]

Chieffo

[11] Patent Number: Des. 308,806

[45] Date of Patent: ** Jun. 26, 1990

[54] WRENCH

3,276,296 10/1966 Woods D8/24 X

[76] Inventor: Michael S. Chieffo, 165 Applegate Rd., Kernersville, N.C. 27284

FOREIGN PATENT DOCUMENTS

0404910 1/1934 United Kingdom 81/121.1

[**] Term: 14 Years

Primary Examiner—Bruce W. Dunkins

Assistant Examiner—Clare E. Heflin

Attorney, Agent, or Firm—C. Robert Rhodes; Judith E. Garmon

[21] Appl. No.: 63,856

[22] Filed: Jun. 19, 1987

[52] U.S. Cl. D8/21; D8/27

[58] Field of Search D8/14, 21-29; 81/177.1, 177.2, 177.75, 176.1, 119, 121.1, 124.2, 124.5, 125, 125.1, 477, 478, 473

[57] CLAIM

The ornamental design for a wrench, as shown and described.

[56] References Cited

U.S. PATENT DOCUMENTS

D. 24,773	10/1895	Spadone	D8/27
D. 196,608	10/1963	Faille	D8/27
1,747,404	11/1923	Church	81/177.1
2,077,997	4/1937	Hedene	81/124.2
2,605,665	8/1952	Grenat	81/125.1

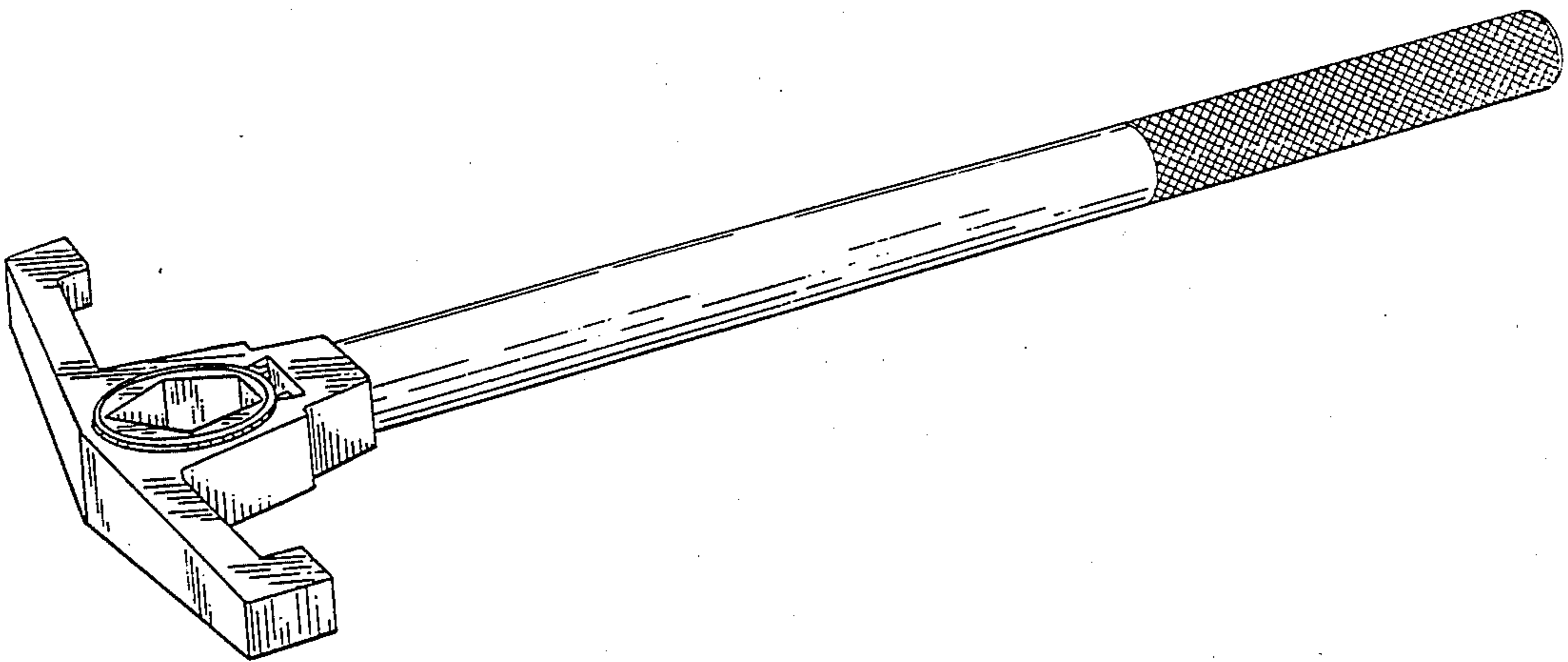
DESCRIPTION

FIG. 1 is perspective view of the front, top, and one side of the wrench showing my new design;

FIG. 2 is a perspective view of the rear, bottom, and opposite side of the wrench shown in FIG. 1; and

FIG. 3 is a reduced top plan view thereof.

The handle is shown broken away in FIG. 1 for ease of illustration only.



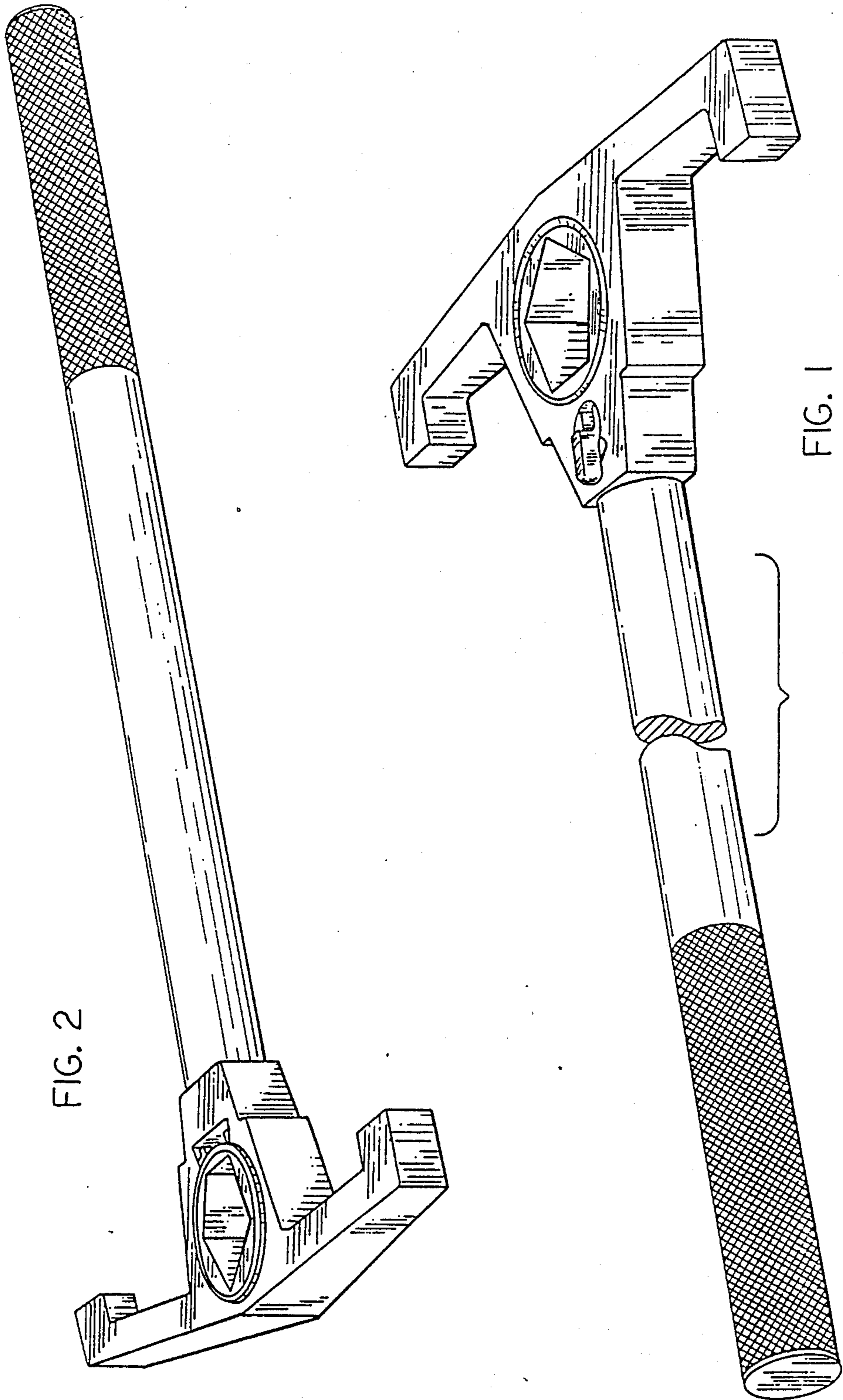


FIG. 2

FIG. 1

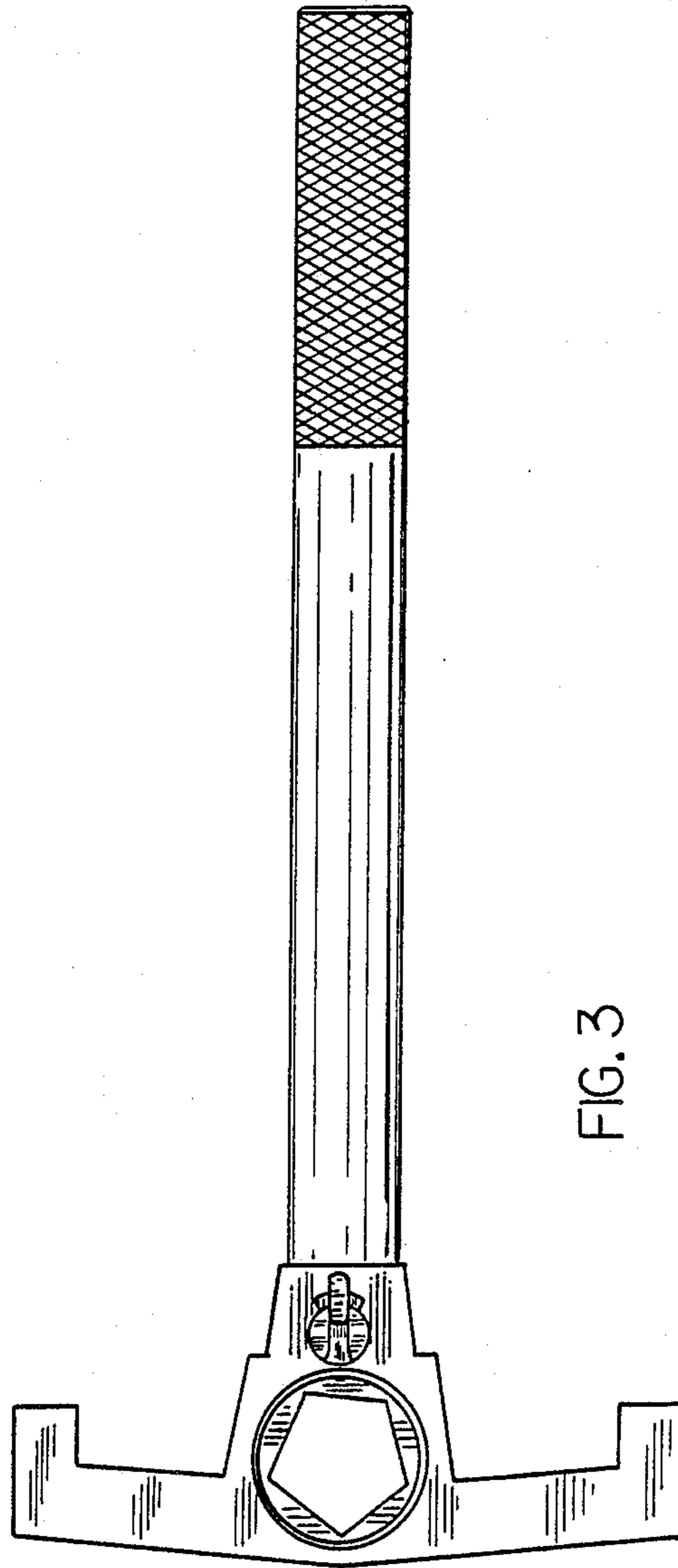


FIG. 3