

[54] SPOON

[75] Inventors: William D. Hiscott, Chicago, Ill.; Ina Witlin, North Miami Beach, Fla.; Theodore J. Hasler; Andrew T. Jastrzebski, both of Chicago, Ill.

[73] Assignee: Ekco Housewares, Inc., Franklin Park, Ill.

[\*] Notice: The portion of the term of this patent subsequent to Aug. 15, 2003 has been disclaimed.

[\*\*] Term: 14 Years

[21] Appl. No.: 45,136

[22] Filed: May 4, 1987

[52] U.S. Cl. .... D7/691; D7/653; D7/688

[58] Field of Search ..... D7/137, 150, 151, 152, D7/395, 148, 102, 104, 138, 141, 99; 30/322, 324, 328, 150

[56] References Cited

U.S. PATENT DOCUMENTS

- D. 148,777 2/1948 Ferris ..... D7/104
- D. 302,777 8/1989 Hiscott et al. .... D7/104
- 3,149,824 9/1964 Albano ..... D7/104 X

FOREIGN PATENT DOCUMENTS

230668 4/1944 Switzerland ..... 30/322

OTHER PUBLICATIONS

*Stile Industria*, #30, Jan. 1961, p. 44, Ladles and Serving Spoons—by G. Beran—Sketches at left.

*Housewares Review*, 7-1965, p. 163, "L-91" Spoon/lower left "L-96" Ladle. Twin Pouring Spouts/Middle Portion of Page.

Primary Examiner—Winifred E. Herrmann  
Attorney, Agent, or Firm—Robert D. Teichert

[57] CLAIM

The ornamental design for a spoon, as shown.

DESCRIPTION

FIG. 1 is a top plan view of a spoon showing our new design;

FIG. 2 is a side elevational view thereof;

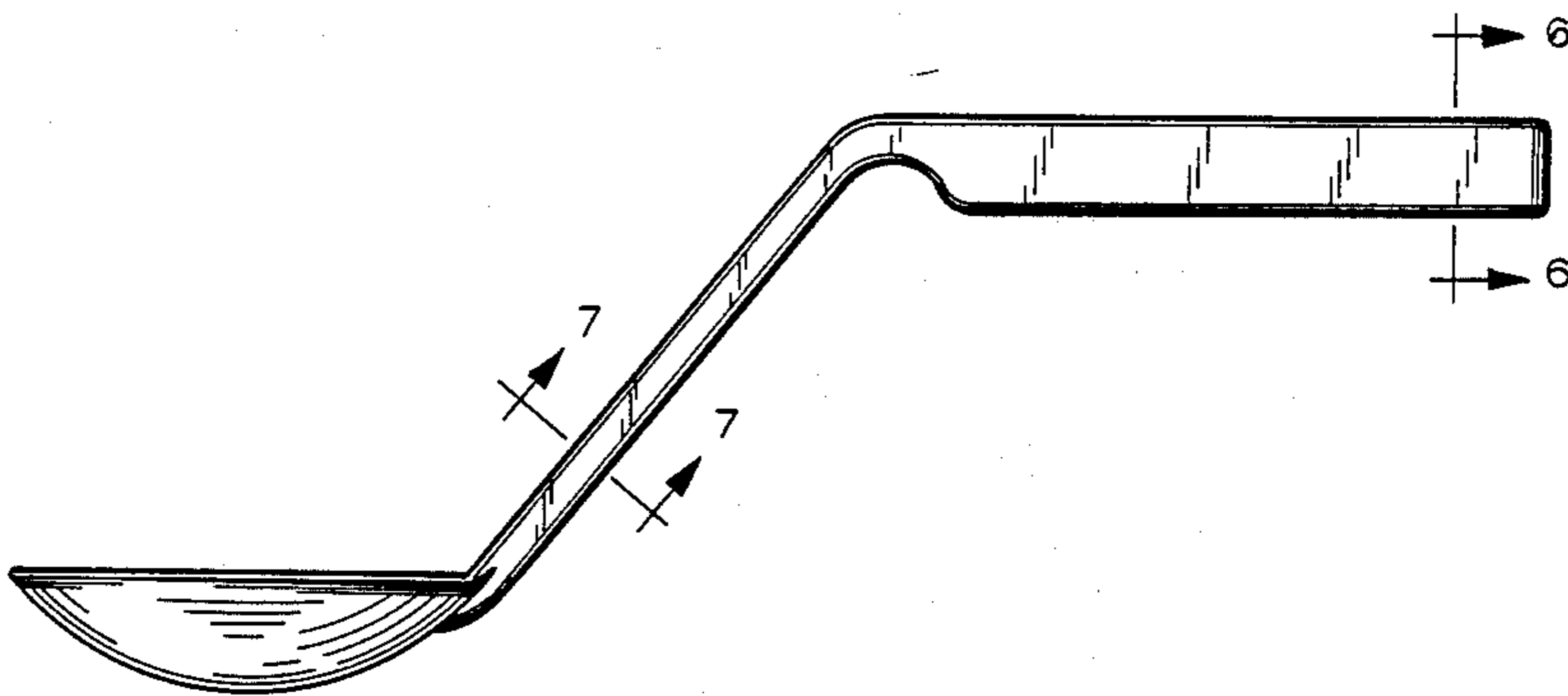
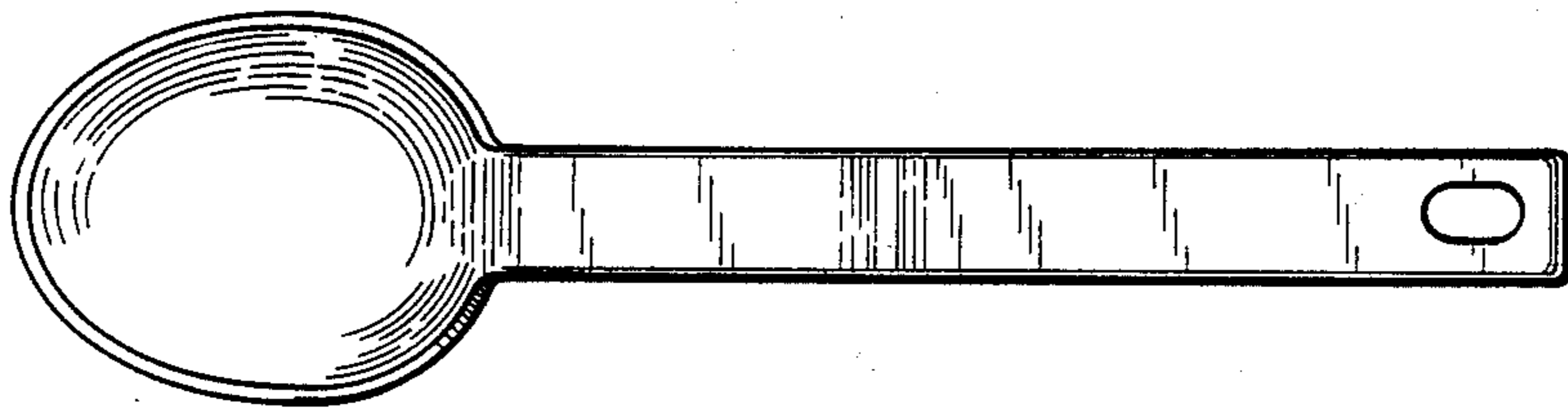
FIG. 3 is a bottom plan view thereof;

FIG. 4 is a left end elevational view thereof;

FIG. 5 is a right end elevational view thereof;

FIG. 6 is a sectional view on an enlarged scale taken along line 6—6 of FIG. 2;

FIG. 7 is a sectional view of an enlarged scale taken along line 7—7 of FIG. 2.



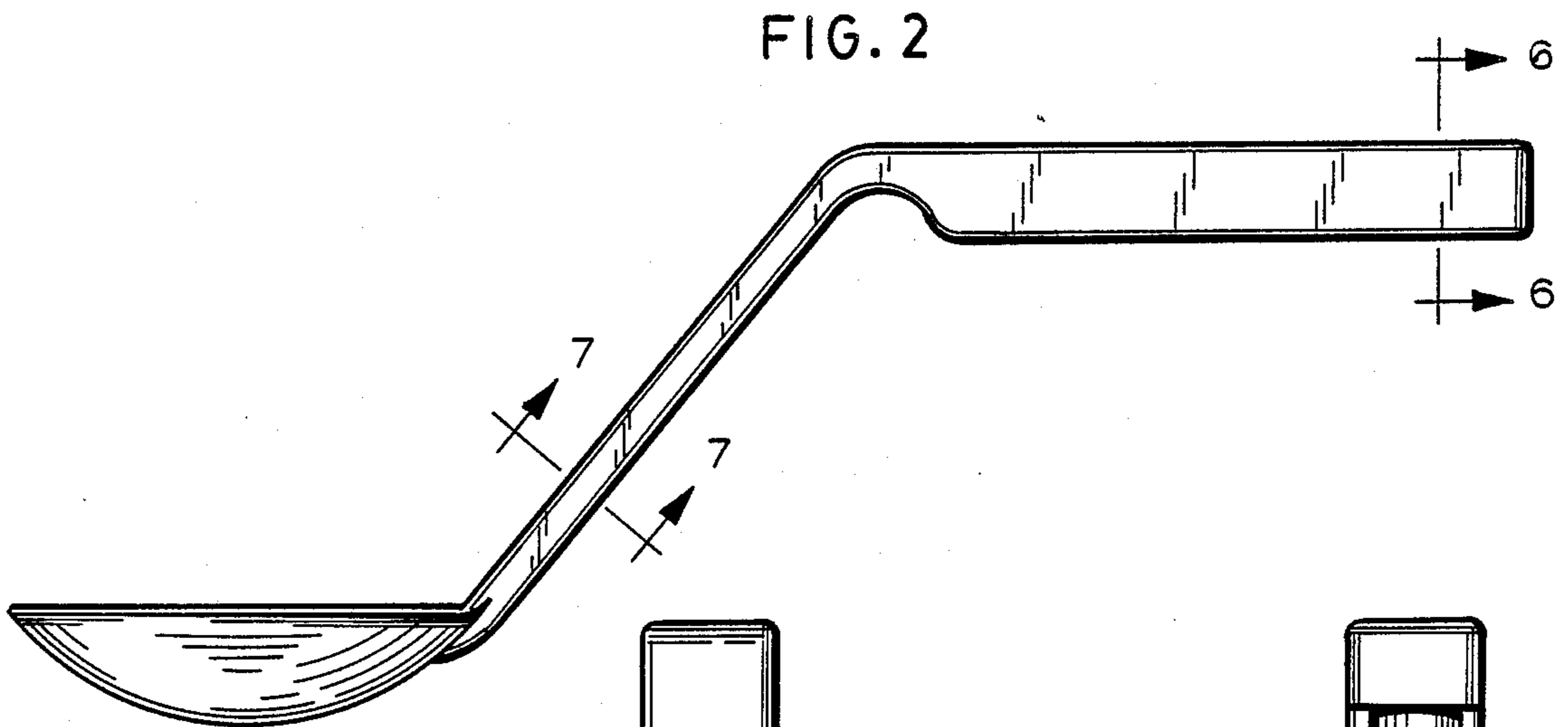
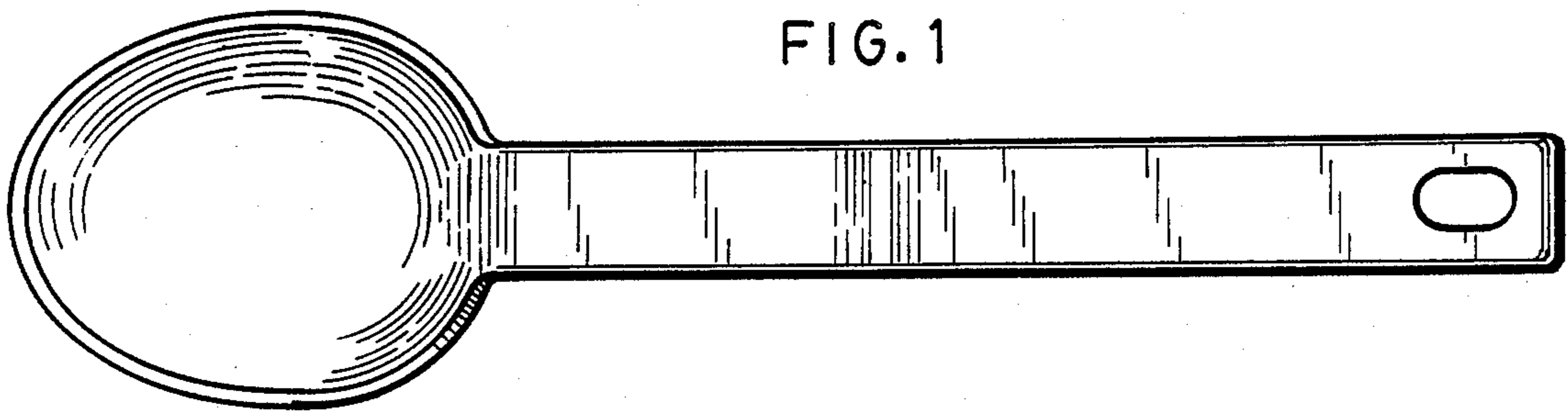


FIG. 4

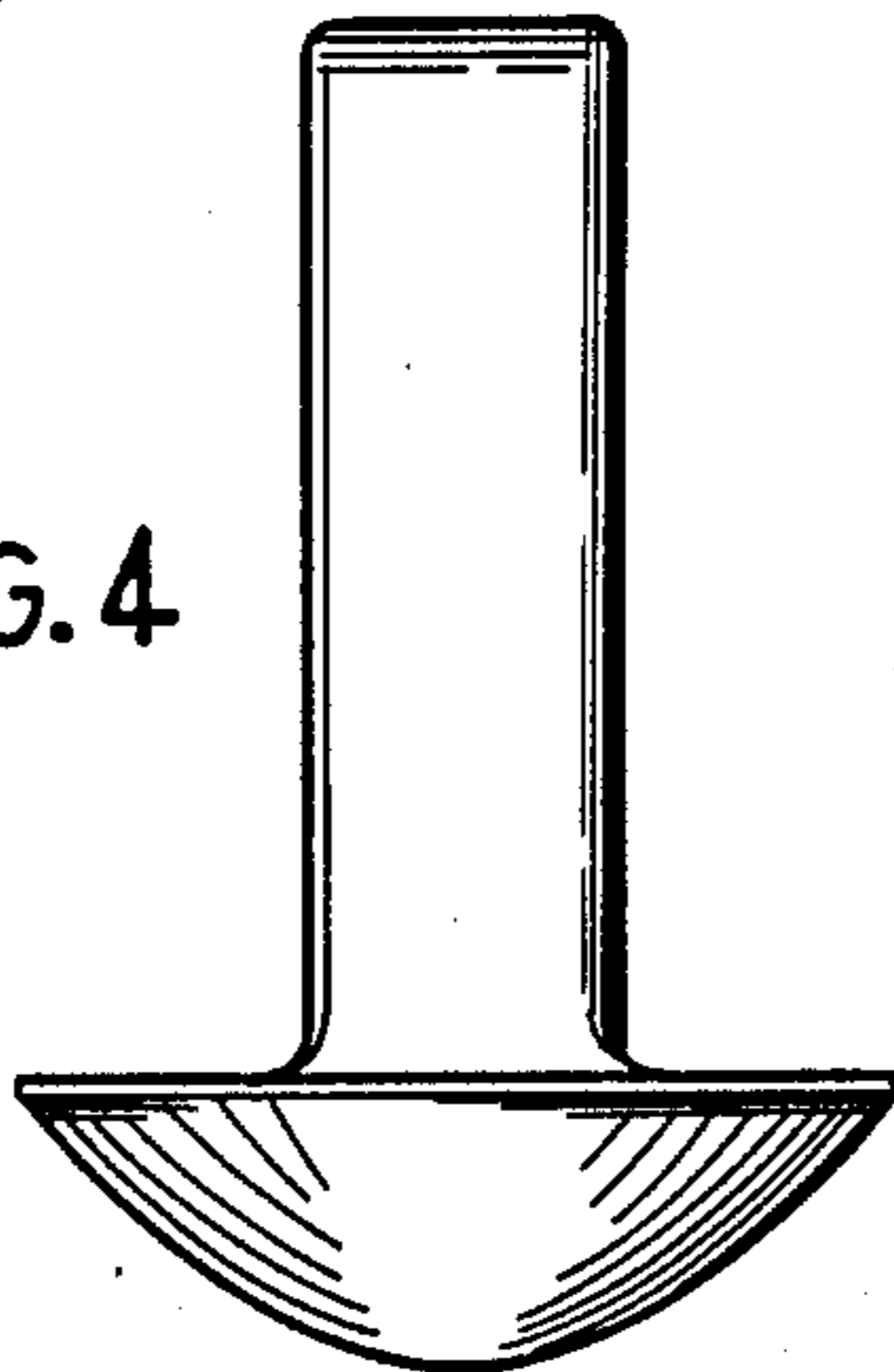


FIG. 5

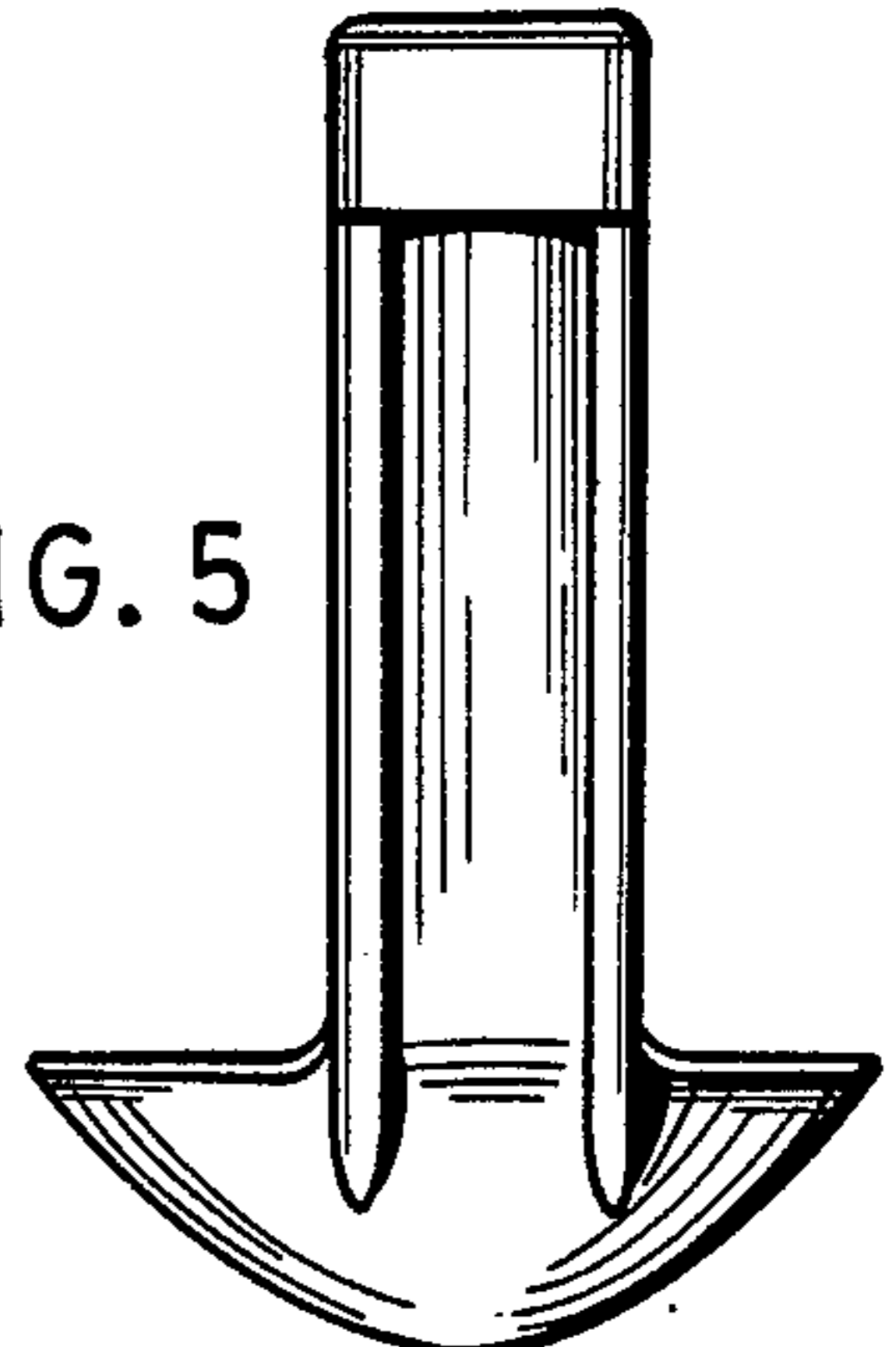


FIG. 7



FIG. 6



FIG. 3

