

[54] COOKIE SLICER

2,550,166 4/1951 Sargent et al. 30/117

[76] Inventors: Doris S. Horton, Box 42, North Truro, Mass. 02652; Stanley A. Horton, 18 Limerick Ct., Centerville, Mass. 02632

Primary Examiner—Bernard Ansher
Assistant Examiner—Terry A. Pfeffer
Attorney, Agent, or Firm—Jerry T. Kearns

[**] Term: 14 Years

[57] CLAIM

The ornamental design for a cookie slicer, as shown and described.

[21] Appl. No.: 126,684

DESCRIPTION

[22] Filed: Nov. 30, 1987

[52] U.S. Cl. D7/673

[58] Field of Search D7/43, 106; 269/295; 30/117; 83/454, 455, 762

FIG. 1 is a front elevational view of a cookie slicer showing our new design;

FIG. 2 is a rear elevational view thereof;

FIG. 3 is a left side elevational view thereof;

FIG. 4 is a right side elevational view thereof;

FIG. 5 is a top plan view thereof;

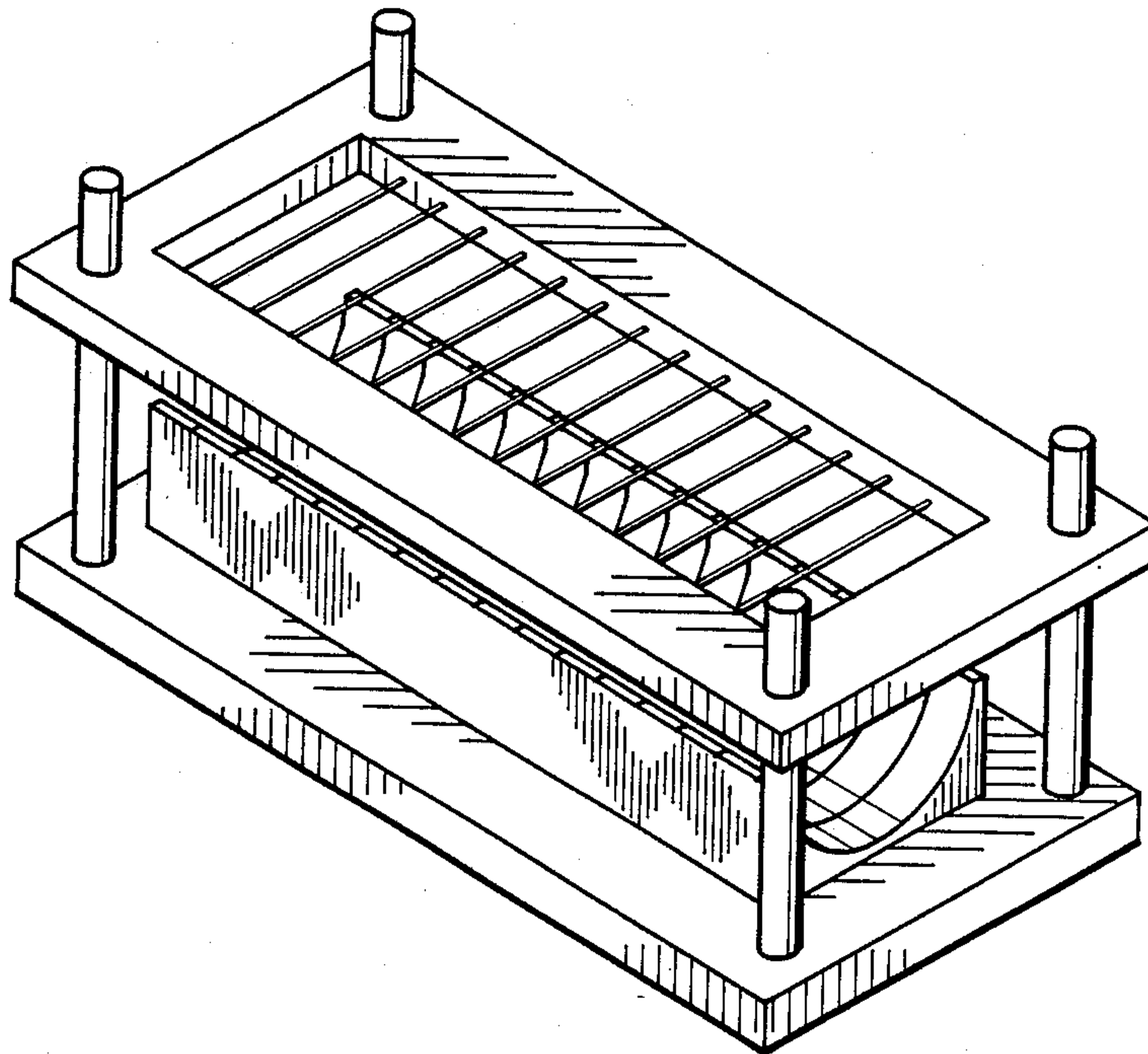
FIG. 6 is a bottom plan view thereof; and,

FIG. 7 is a perspective view thereof.

[56] References Cited

U.S. PATENT DOCUMENTS

2,114,277 4/1938 Bloomfield 30/117



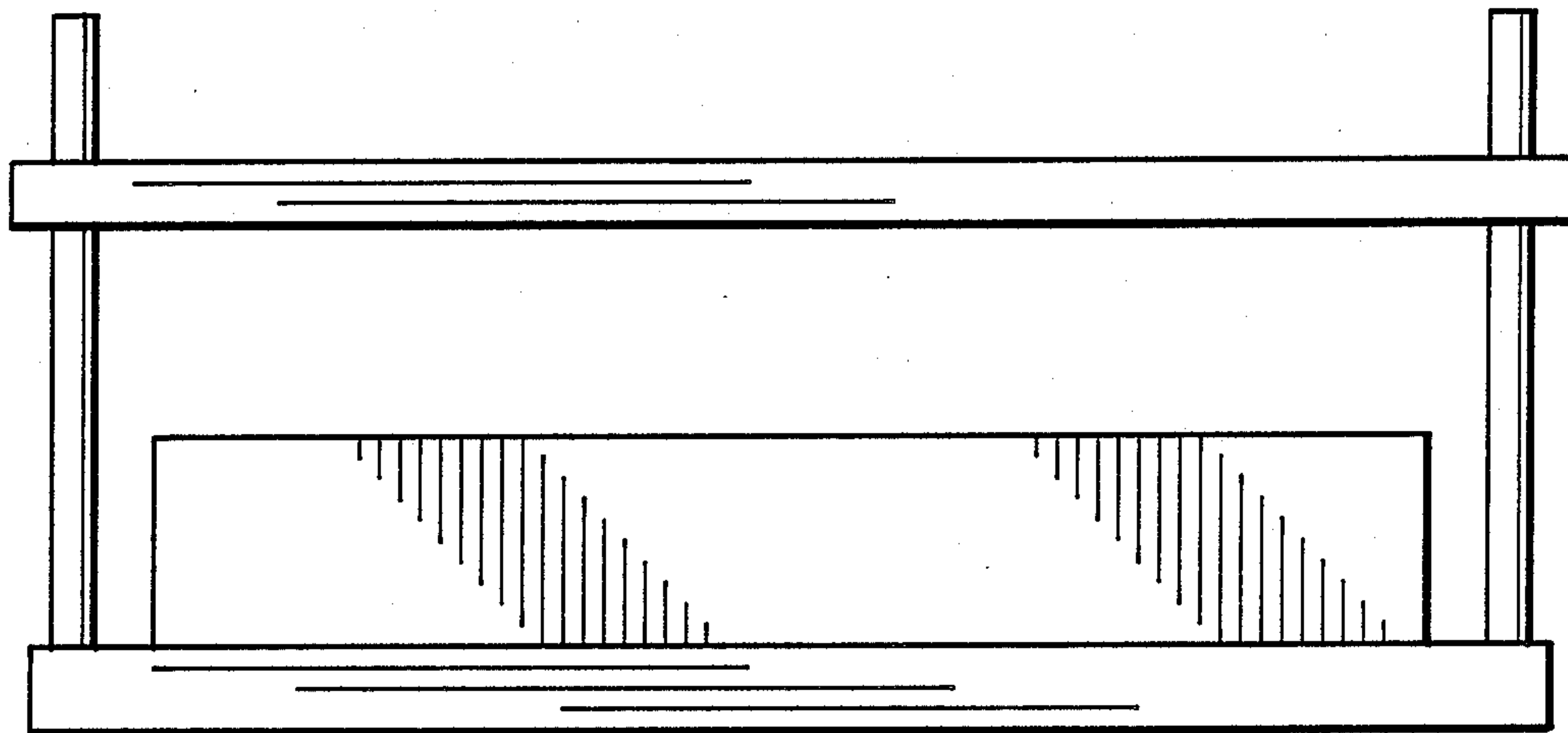


Fig. 1

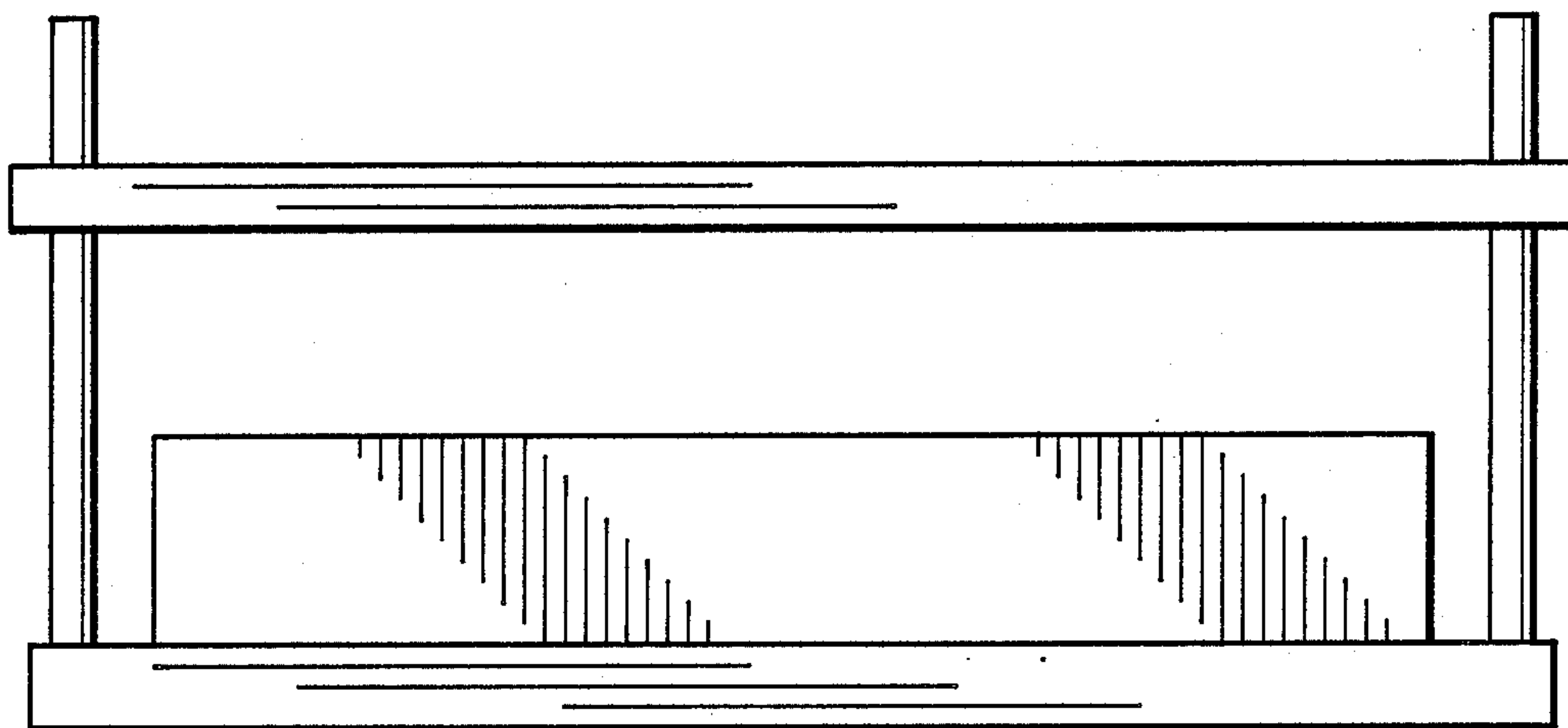


Fig. 2

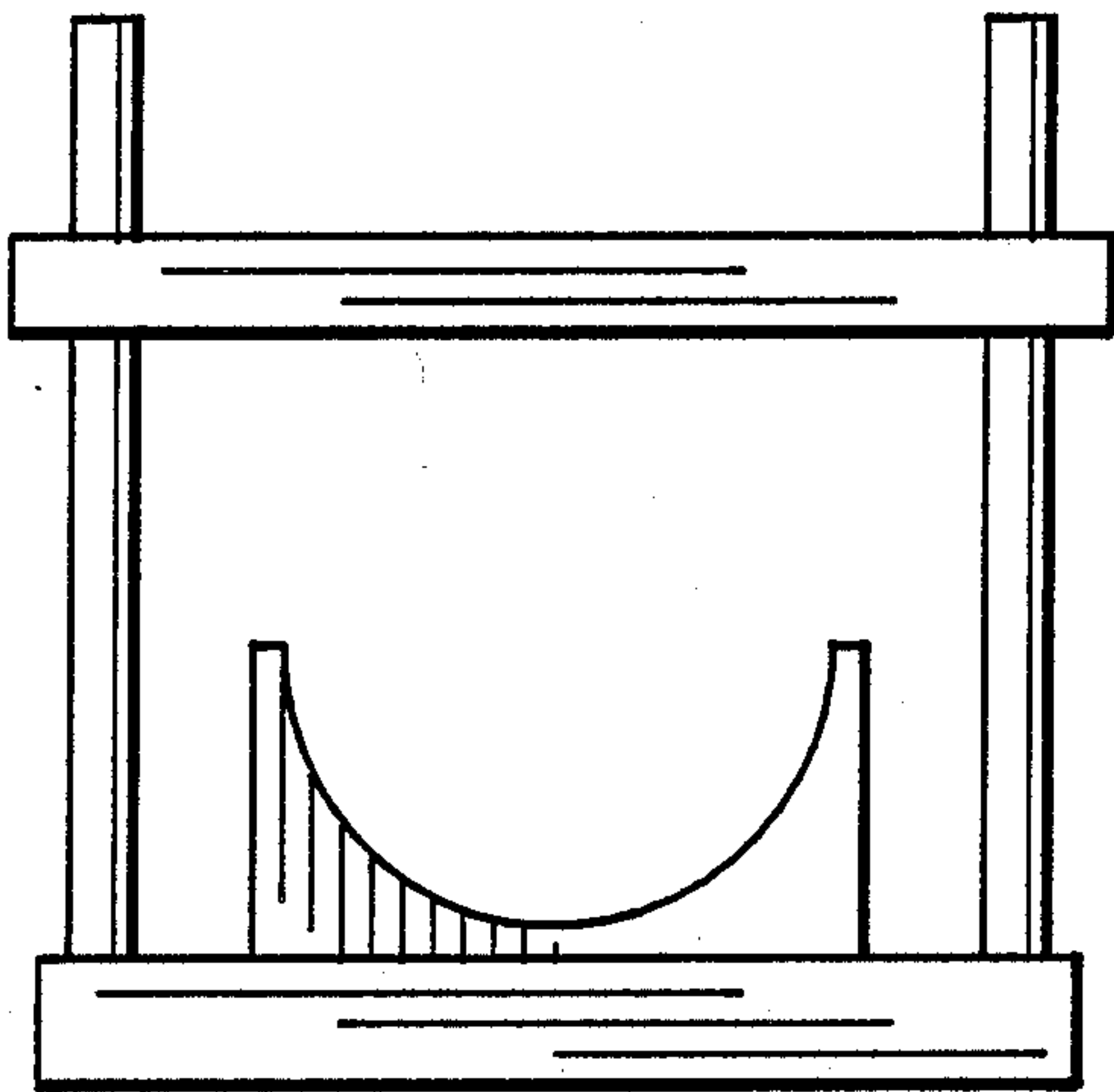


Fig. 3

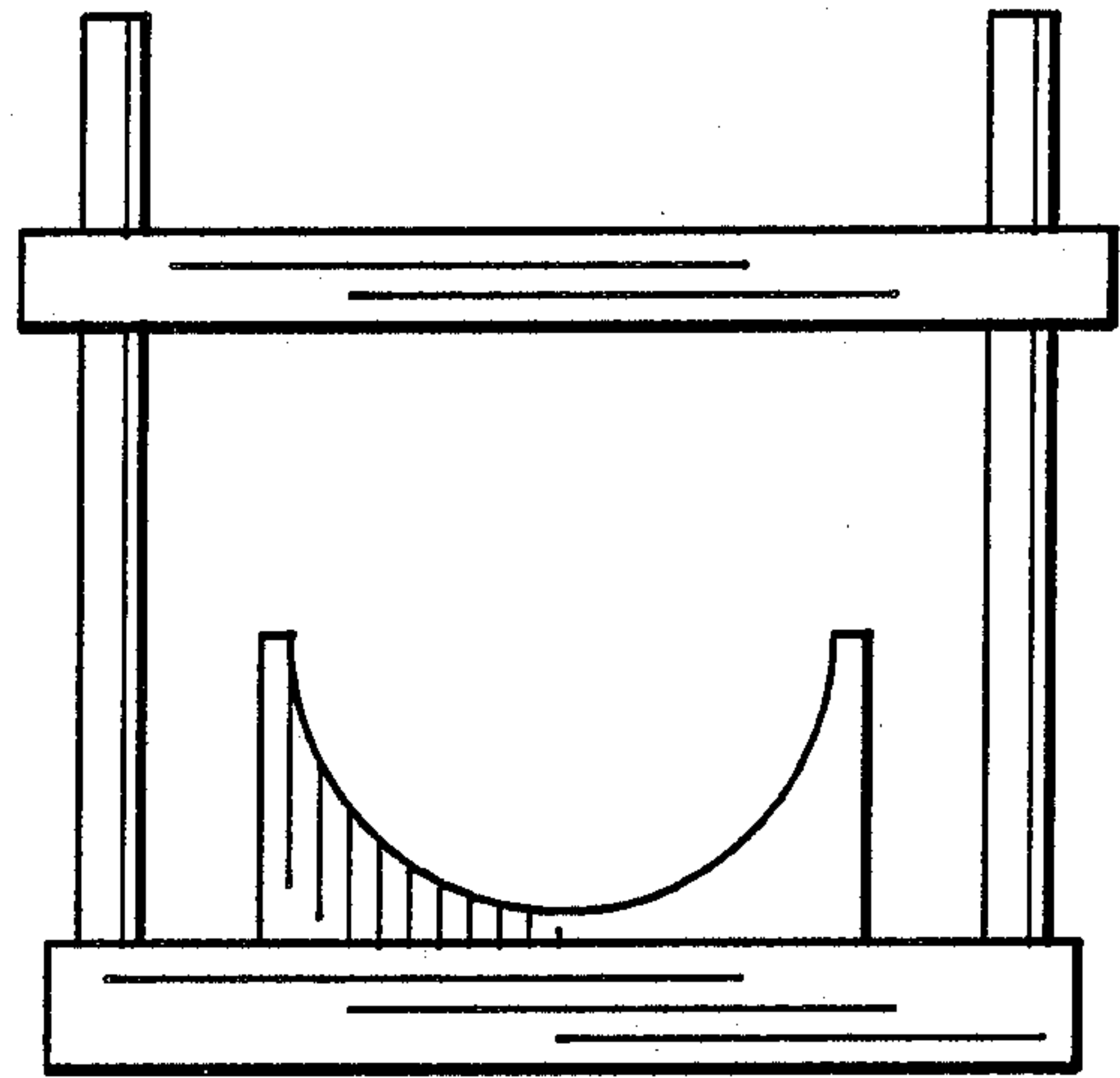


Fig. 4

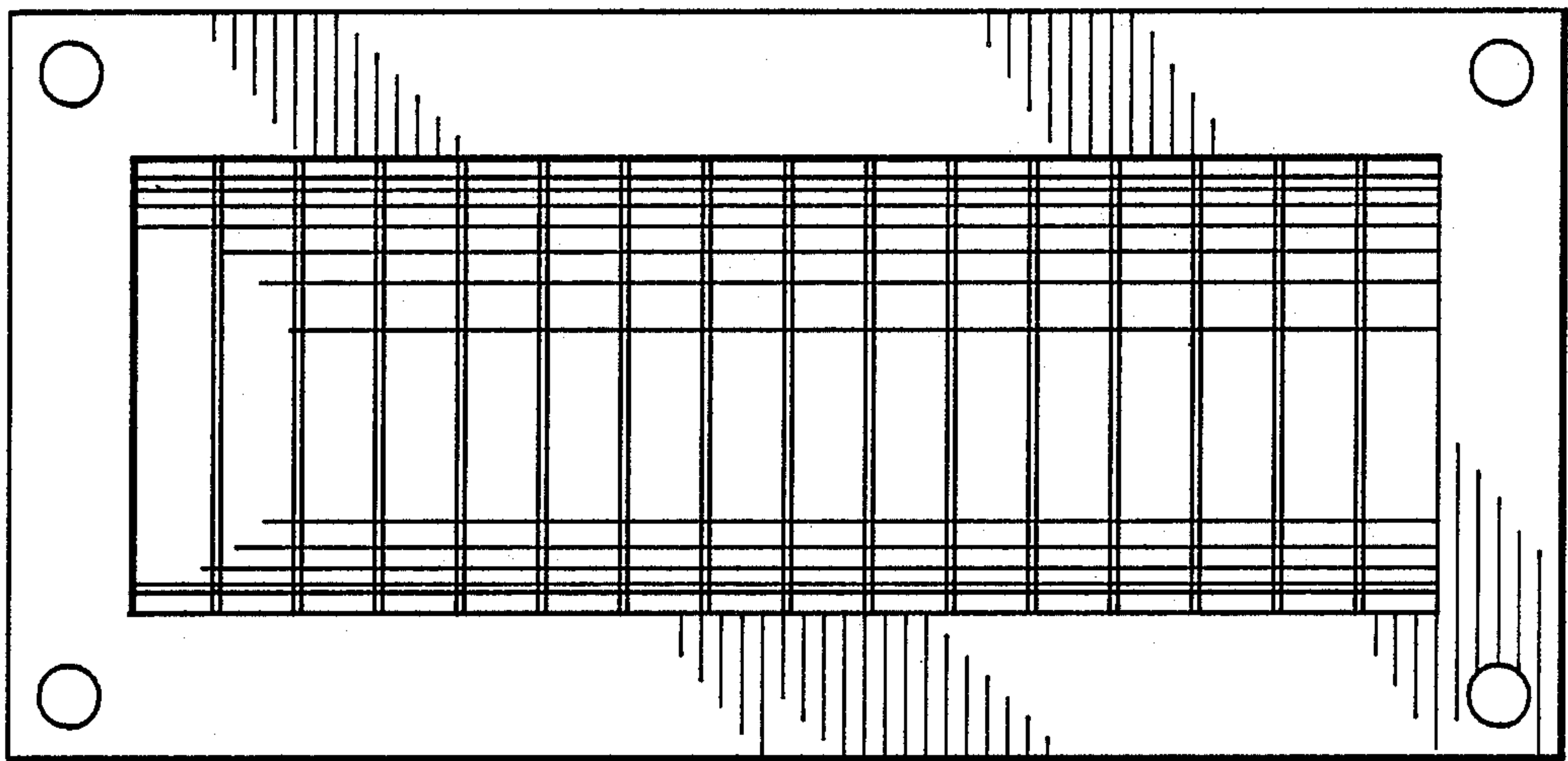


Fig. 5

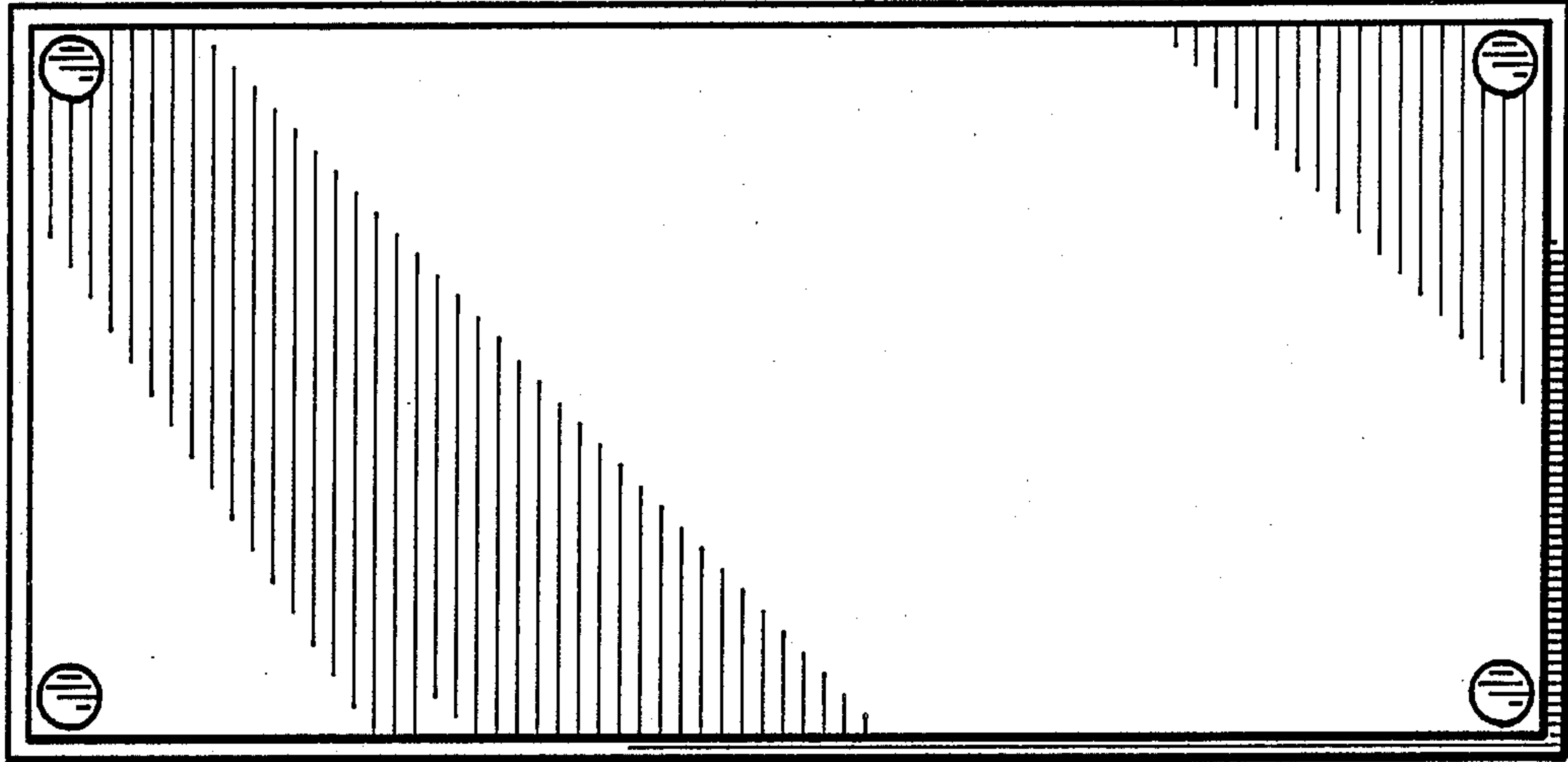


Fig. 6

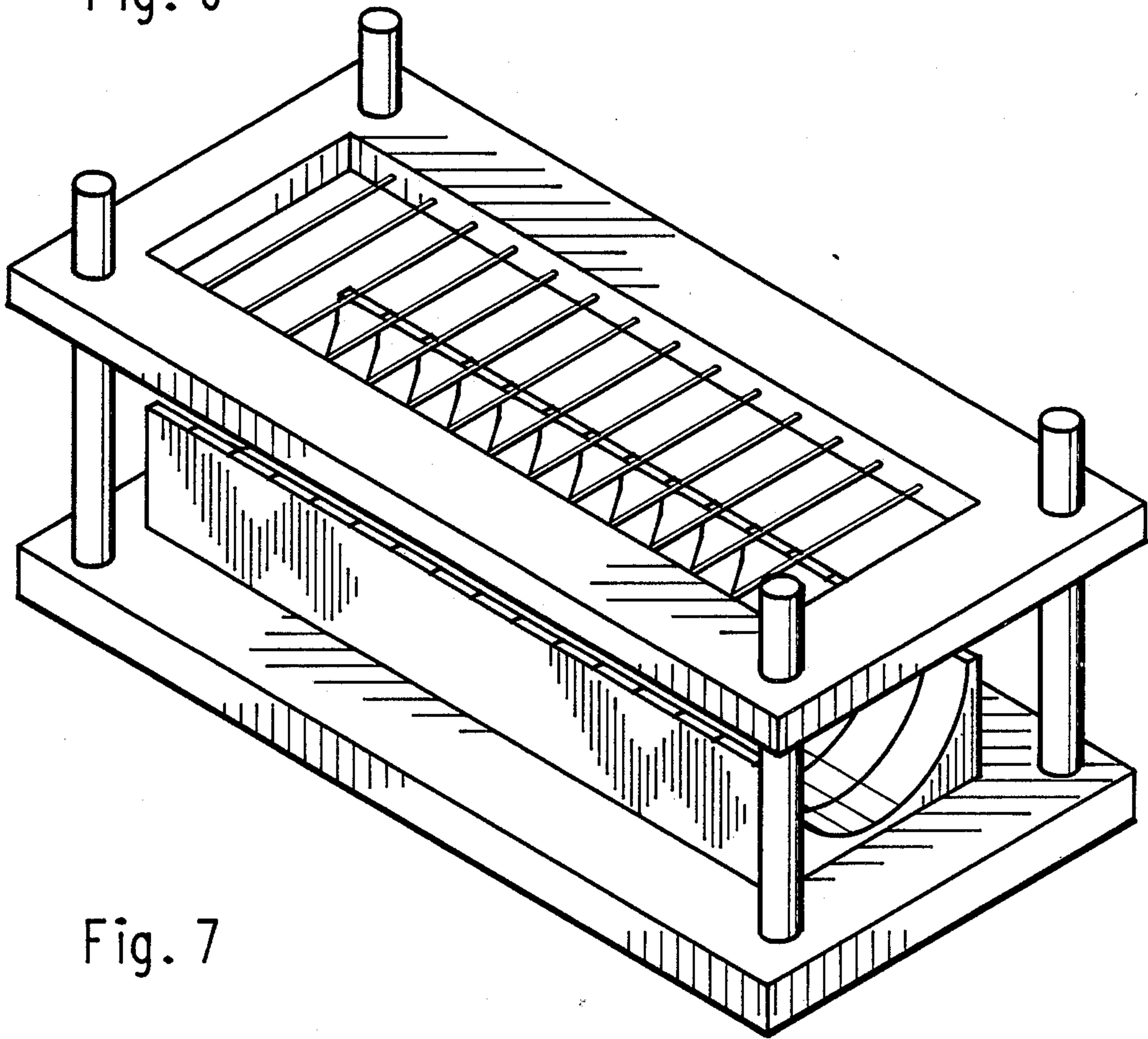


Fig. 7