

[54] TEA KETTLE

[75] Inventors: Jane Ancona; Bruce Ancona, both of New York, N.Y.

[73] Assignee: M. Kamenstein, Inc., White Plains, N.Y.

[**] Term: 14 Years

[21] Appl. No.: 447,254

[22] Filed: Dec. 7, 1989

[52] U.S. Cl. D7/322; D7/312

[58] Field of Search D7/321, 322, 312, 320, D7/300, 316-319, 302

[56] References Cited

U.S. PATENT DOCUMENTS

D. 39,119	2/1908	Sternau et al.	D7/320
D. 62,417	5/1923	Sander	D7/322
D. 160,056	9/1950	Beckwith	D7/322 X
D. 164,413	9/1951	Finch	D7/320
D. 174,980	6/1955	Budlong	D7/321
D. 183,350	8/1958	Hale	D7/322
D. 219,165	11/1970	Gropius	D7/322
D. 227,293	6/1973	Ehrlich	D7/321
D. 241,401	9/1976	Painter	D7/318
D. 273,183	3/1984	Shane et al.	D7/319 X
D. 279,757	7/1985	Lax	D7/320
1,025,653	5/1912	Sims	222/469

OTHER PUBLICATIONS

Schohner Wohnen, Jul., 1989, p. 95, top R. Teapot.
Gifts & Decorative Accesories, Apr., 1974, p. 86, Copper Captain's Kettle-bottom left.
Country Living, Jun. 1986, p. 39, Kettle shown on burner in General Electric Adv.
HFD, May 2, 1988, p. 135, National Housewares TM Adv. second kettle down from top right.
Jewelers' Circular-Keystone, Oct. 1984, p. 192, teapot by Mark E. Fortune/bottom panel.
Goldschmiede Zeitung, May, 1988, p. 78, Teakettle in middle panel-Peter Sebald.

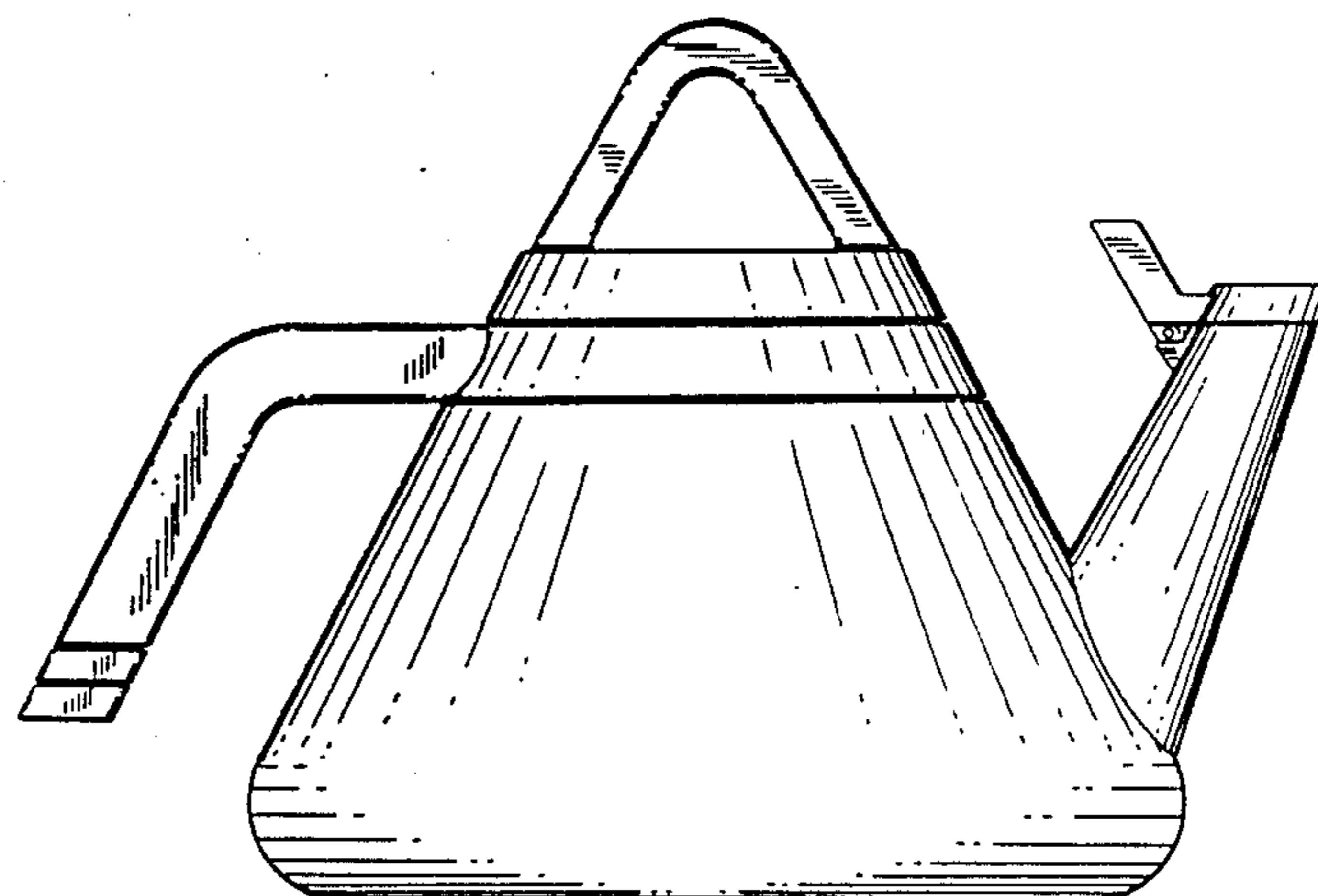
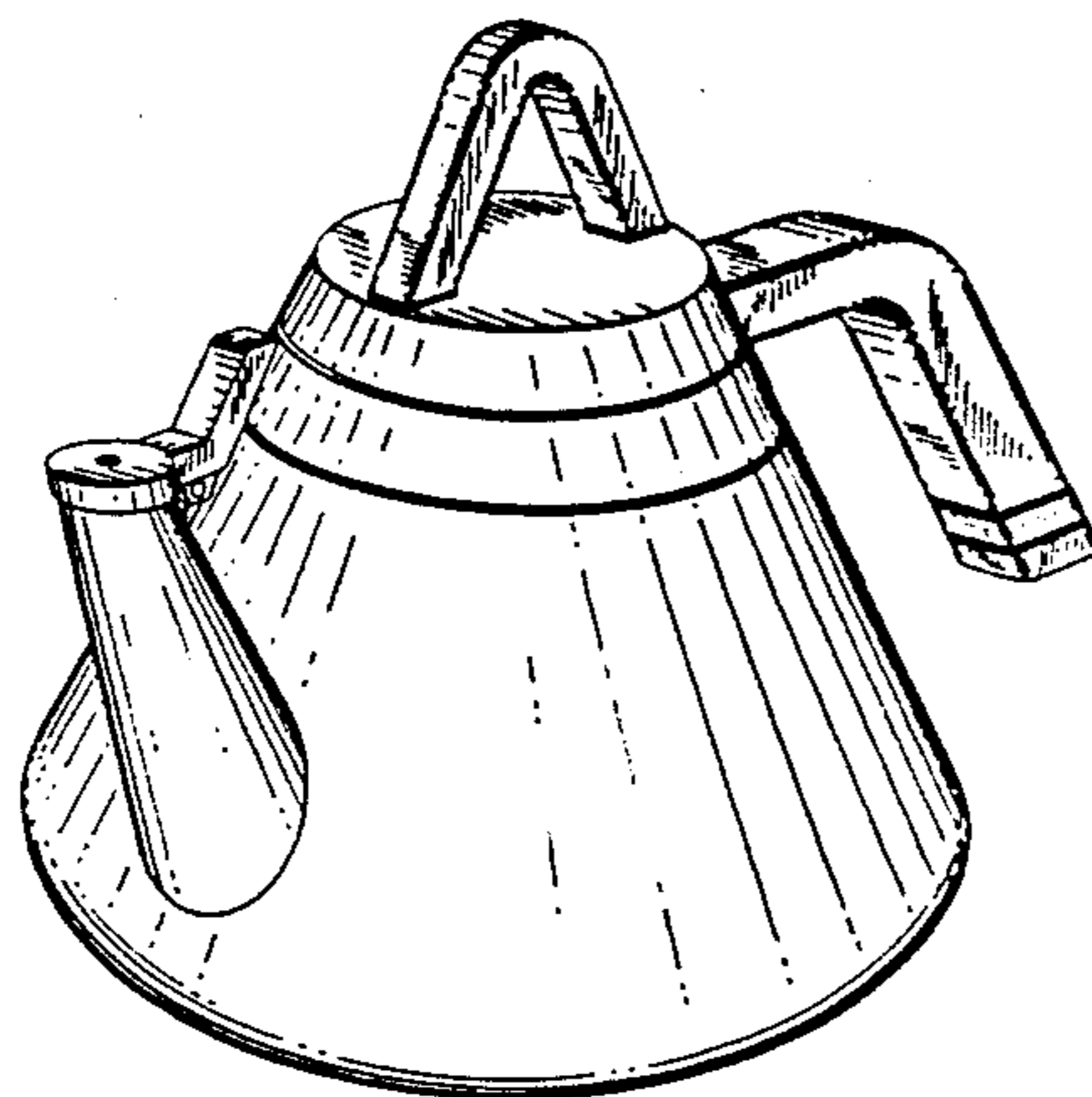
Primary Examiner—Winifred E. Herrmann
 Attorney, Agent, or Firm—Henry R. Lerner

[57] CLAIM

The ornamental design for a tea kettle, as shown and described.

DESCRIPTION

FIG. 1 is a top, front and right side perspective view of a tea kettle showing our new design;
 FIG. 2 is a front elevational view thereof;
 FIG. 3 is a top plan view thereof;
 FIG. 4 is a left side elevational view thereof;
 FIG. 5 is a rear elevational view thereof; and
 FIG. 6 is a bottom plan view thereof.



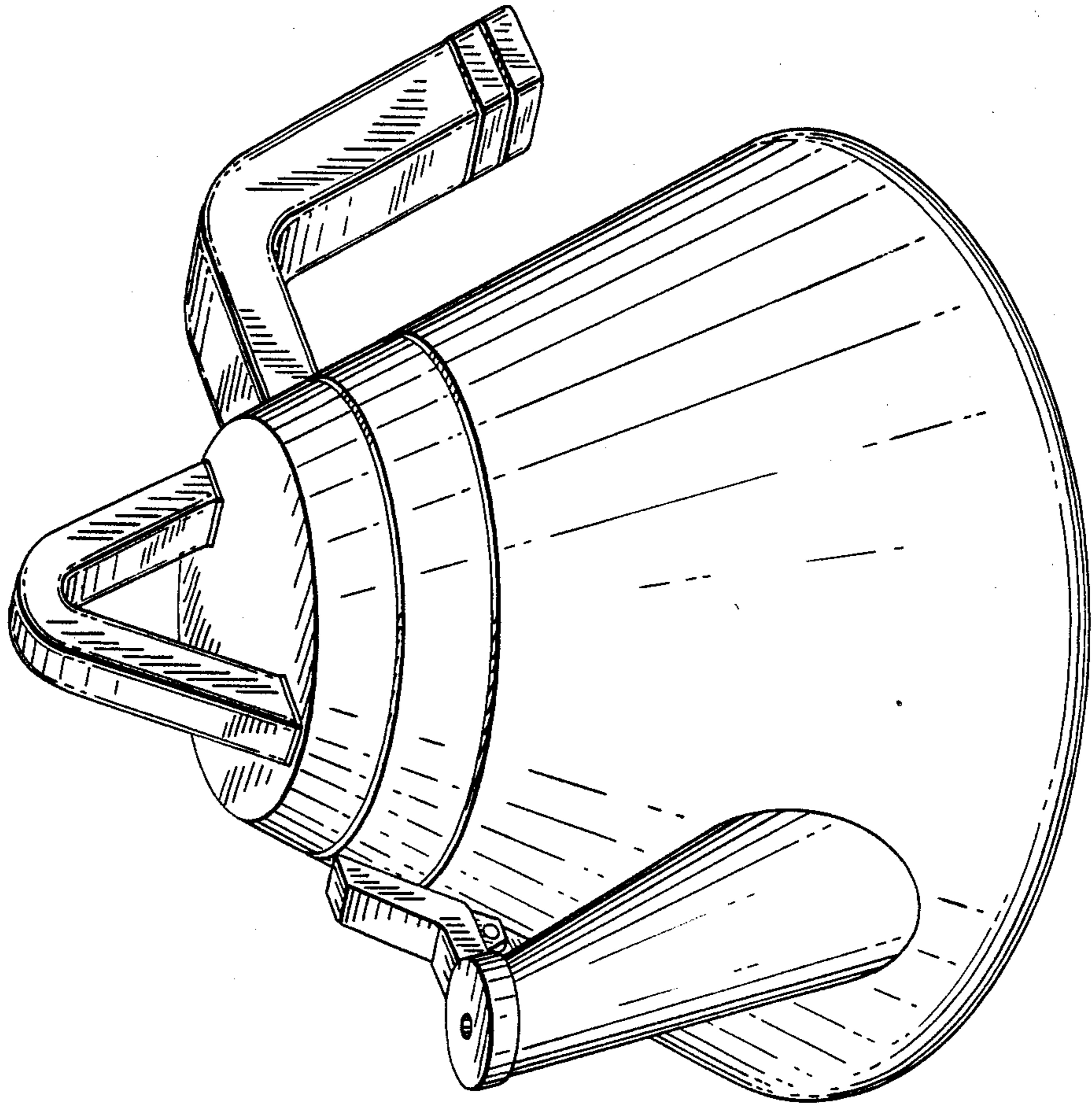


FIG. 1

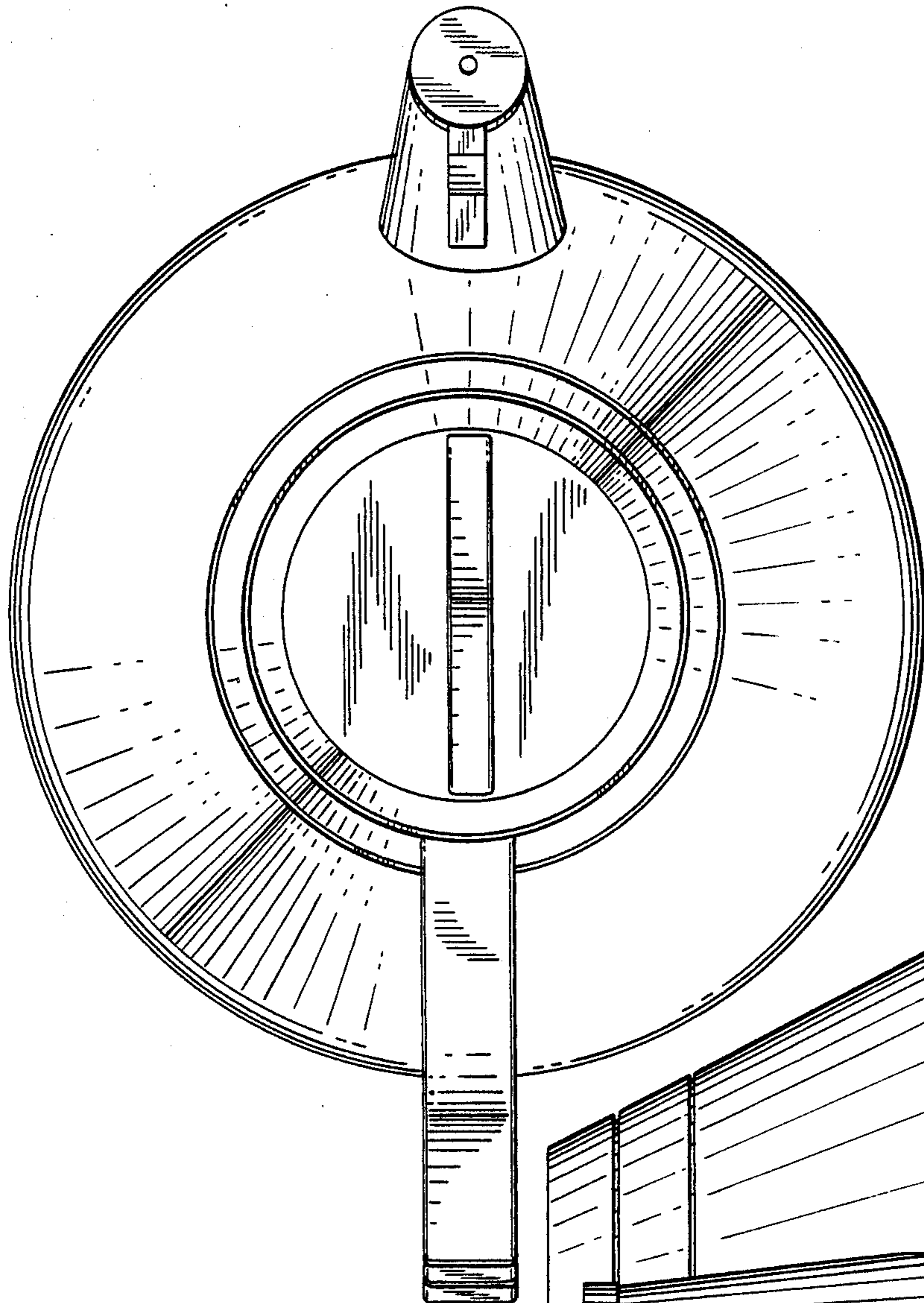


FIG. 2

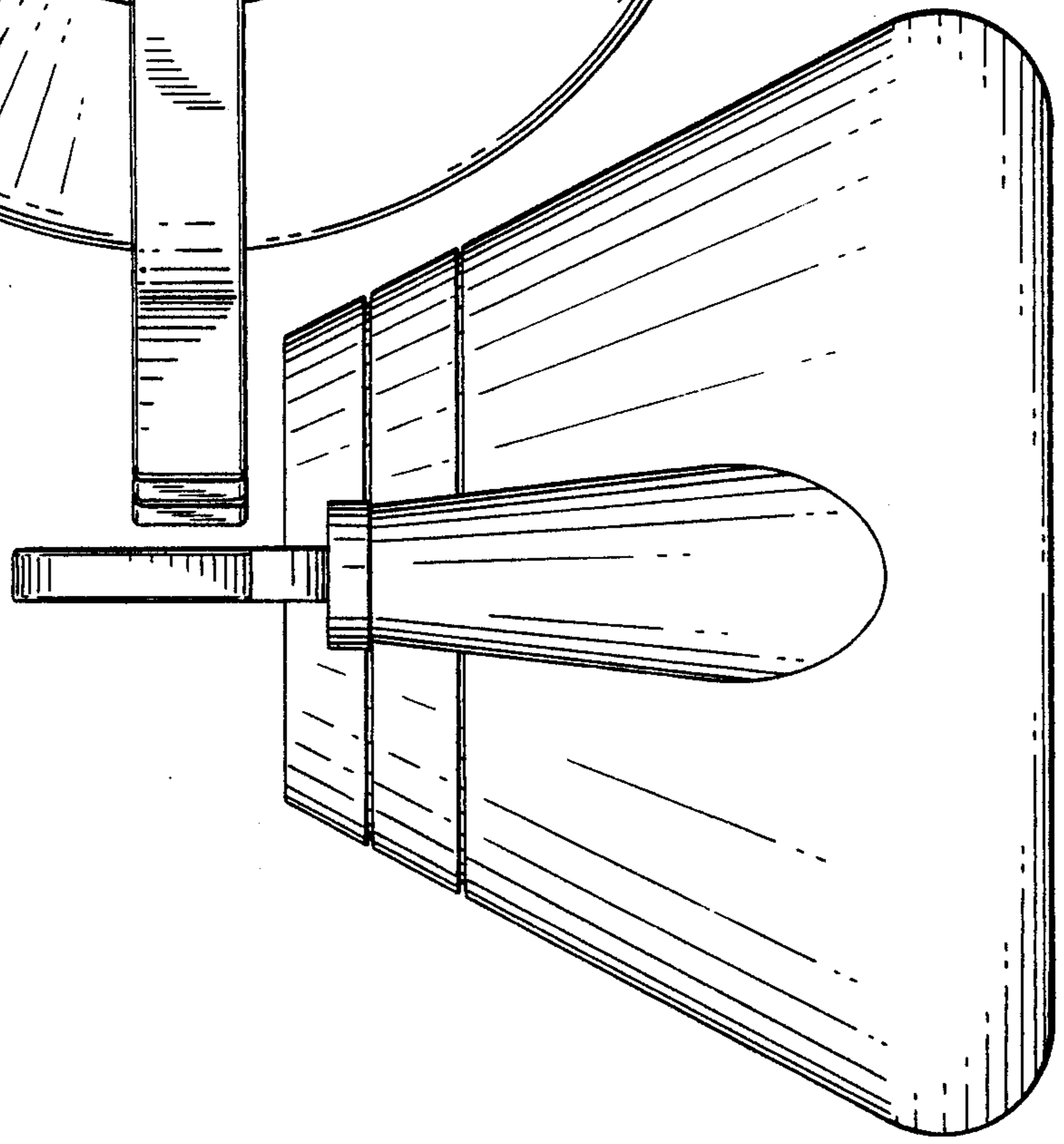


FIG. 3

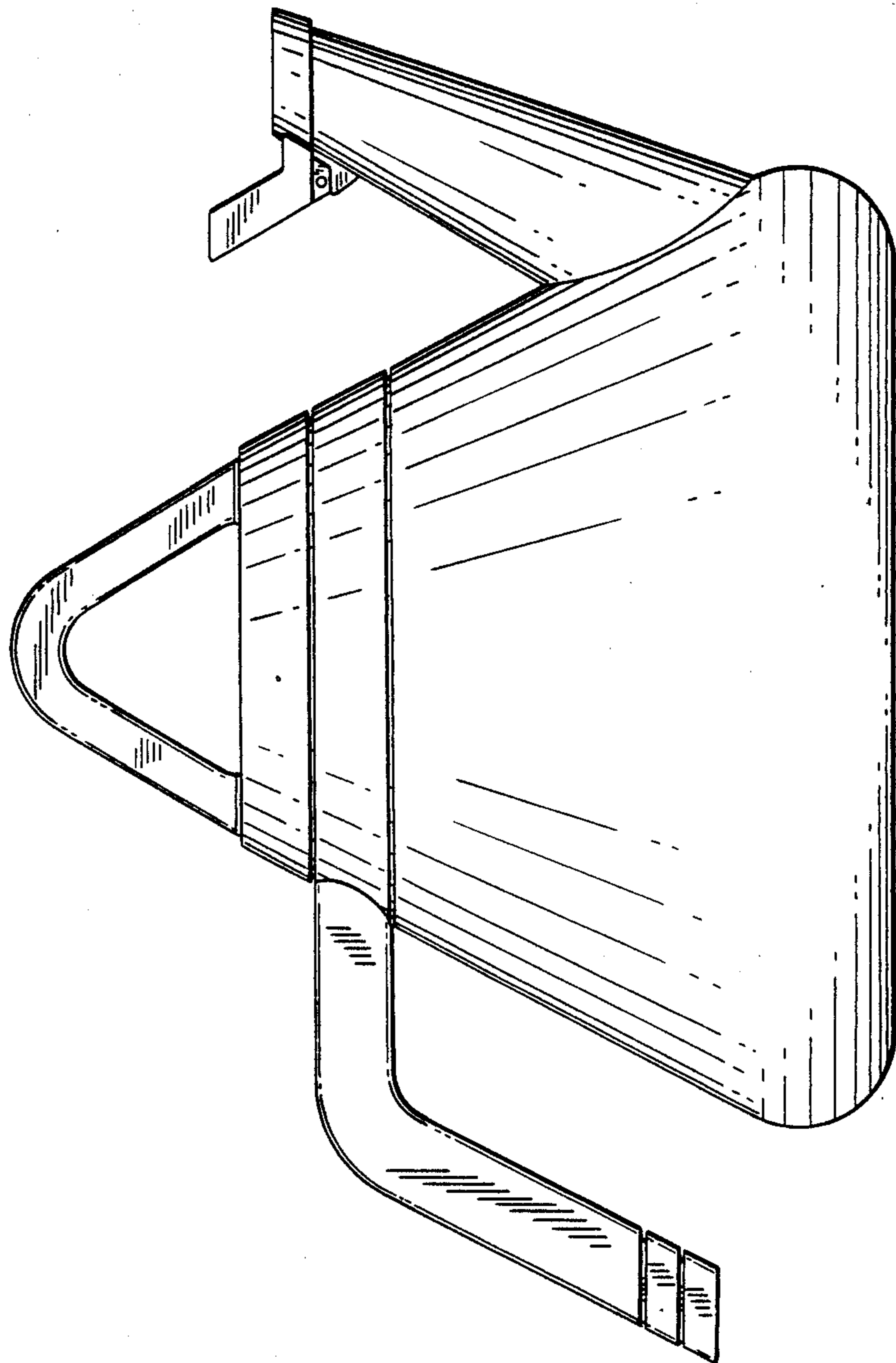


FIG. 4

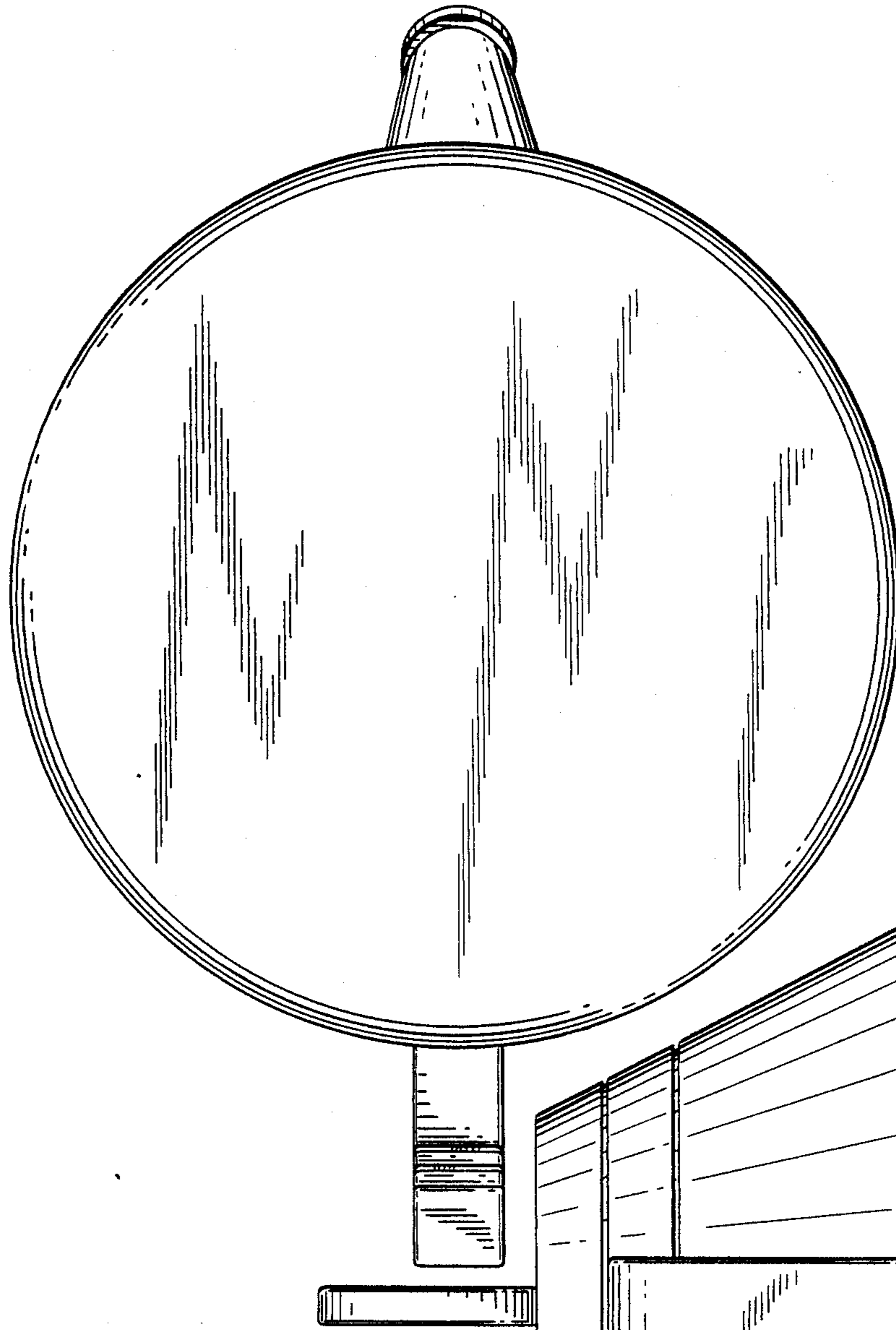


FIG. 5

FIG. 6

