

[54] **TEA KETTLE**

[75] **Inventors: Jane Ancona; Bruce Ancona, both of New York, N.Y.**

[73] **Assignee: M. Kamenstein, Inc., White Plains, N.Y.**

[**] **Term: 14 Years**

[21] **Appl. No.: 447,256**

[22] **Filed: Dec. 7, 1989**

[52] **U.S. Cl. D7/322; D7/312; D7/317**

[58] **Field of Search D7/321, 322, 312, 320, D7/300, 316-319, 302**

[56] **References Cited**

U.S. PATENT DOCUMENTS

D. 95,354	4/1935	Kircher	D7/322
D. 115,928	8/1939	Kircher	D7/322
D. 141,749	7/1945	Brown	D7/312
D. 158,001	4/1950	Patti	D7/312
D. 160,912	11/1950	Ziskin et al.	D7/322
D. 164,413	9/1951	Finch	D7/322
D. 177,340	4/1956	Koeph et al.	D7/322
D. 217,179	4/1970	Rakocy	D7/318
D. 218,635	9/1970	Lax	D7/322
D. 237,570	11/1975	Lax	D7/322
D. 265,621	8/1982	Urich	D7/321
D. 274,595	7/1984	Lebowitz	D7/322
D. 276,120	10/1984	Solomon	D7/312
D. 282,810	3/1986	Urich	D7/322
1,486,802	3/1924	Royse	222/469

2,624,493	1/1953	Porter	222/469
2,638,253	5/1953	Mueller	222/472
3,091,302	5/1963	Wolven	D7/312 X
3,799,408	3/1974	Palmer	D7/322 X
4,189,016	2/1980	Nicol	D7/322 X
4,813,368	3/1989	Hutter, III et al.	D7/322 X

OTHER PUBLICATIONS

Better Homes & Gardens, Apr. 1948, p. 208, West Bend's Trig Singing Tea Kettle.

Design 146, Feb. 1961, p. 63, kettle by Robert Welch, made by N. C. Joseph Ltd., bottom right.

HFD, Apr. 8, 1985, p. 195, Russell Hobbs Electric Kettles.

Tableware International, Feb. 1989, p. 60, Erik Magnussen, Tea Kettle created for Selangor.

Primary Examiner—Winifred E. Herrmann

Attorney, Agent, or Firm—Henry R. Lerner

[57] **CLAIM**

The ornamental design for a tea kettle, as shown and described.

DESCRIPTION

FIG. 1 is a top, front and right side perspective view of a tea kettle showing our new design;

FIG. 2 is a rear elevational view thereof;

FIG. 3 is a top plan view thereof;

FIG. 4 is a right side elevational view thereof, the opposite side being a mirror image;

FIG. 5 is a front elevational view thereof; and

FIG. 6 is a bottom plan view thereof.

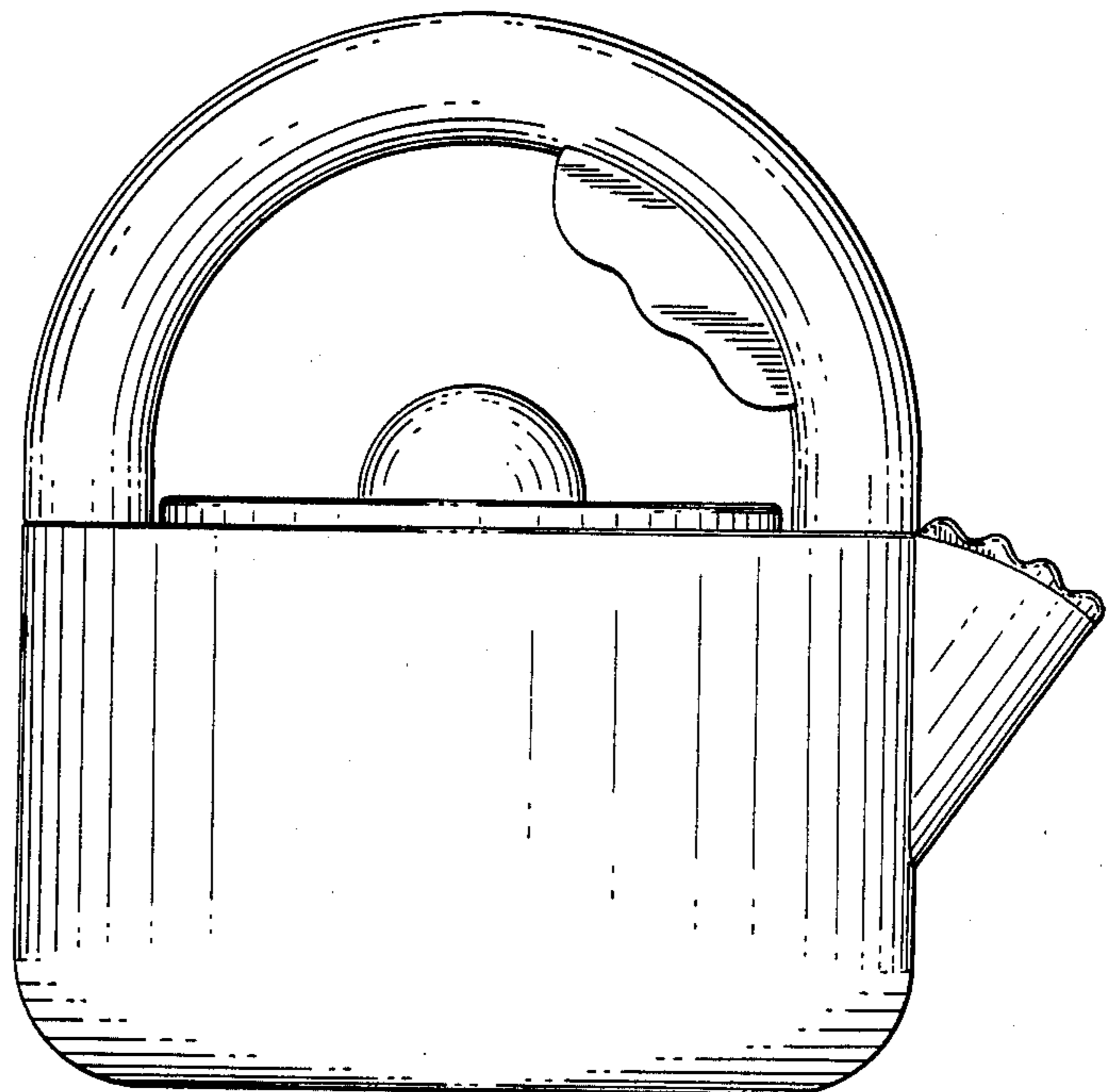
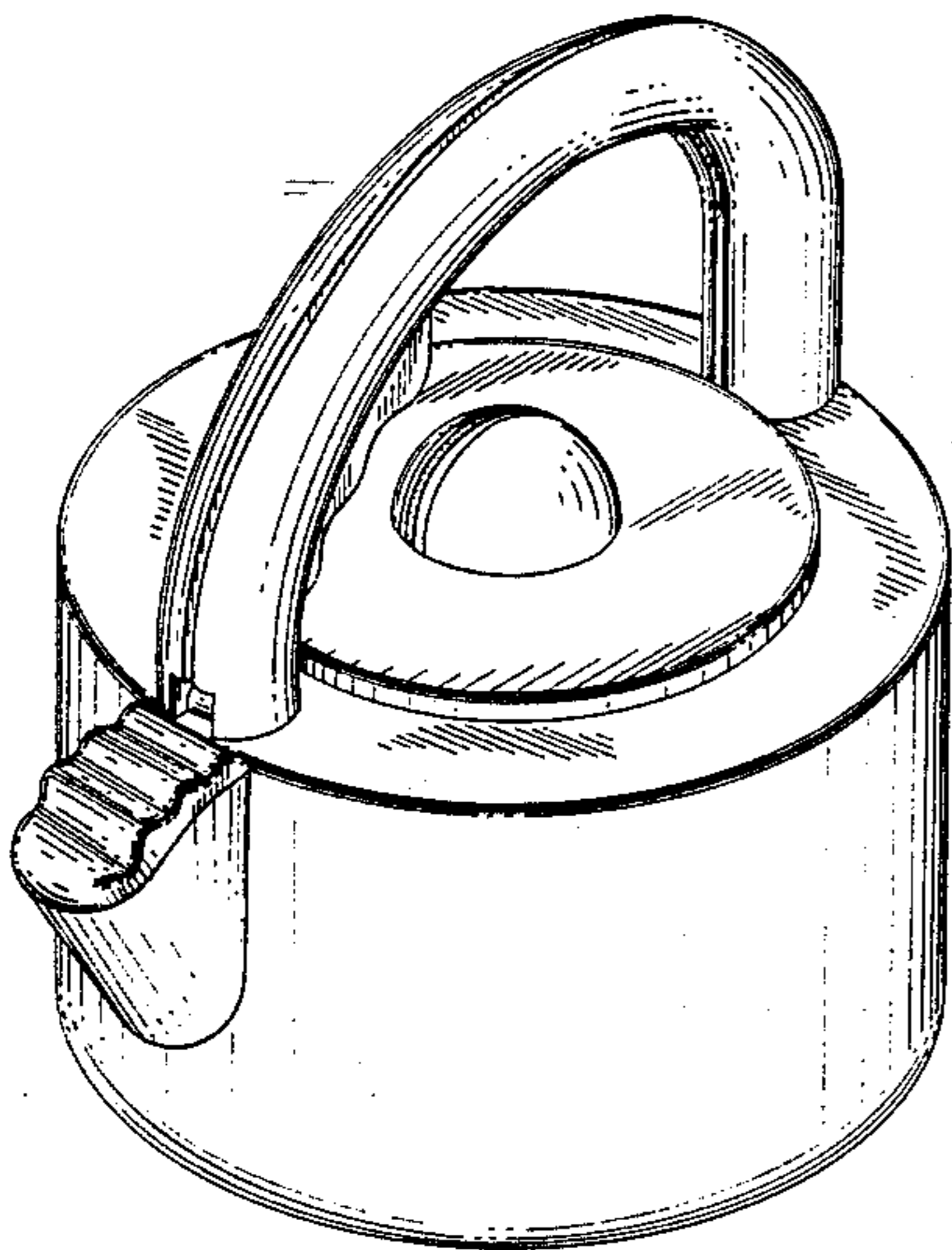
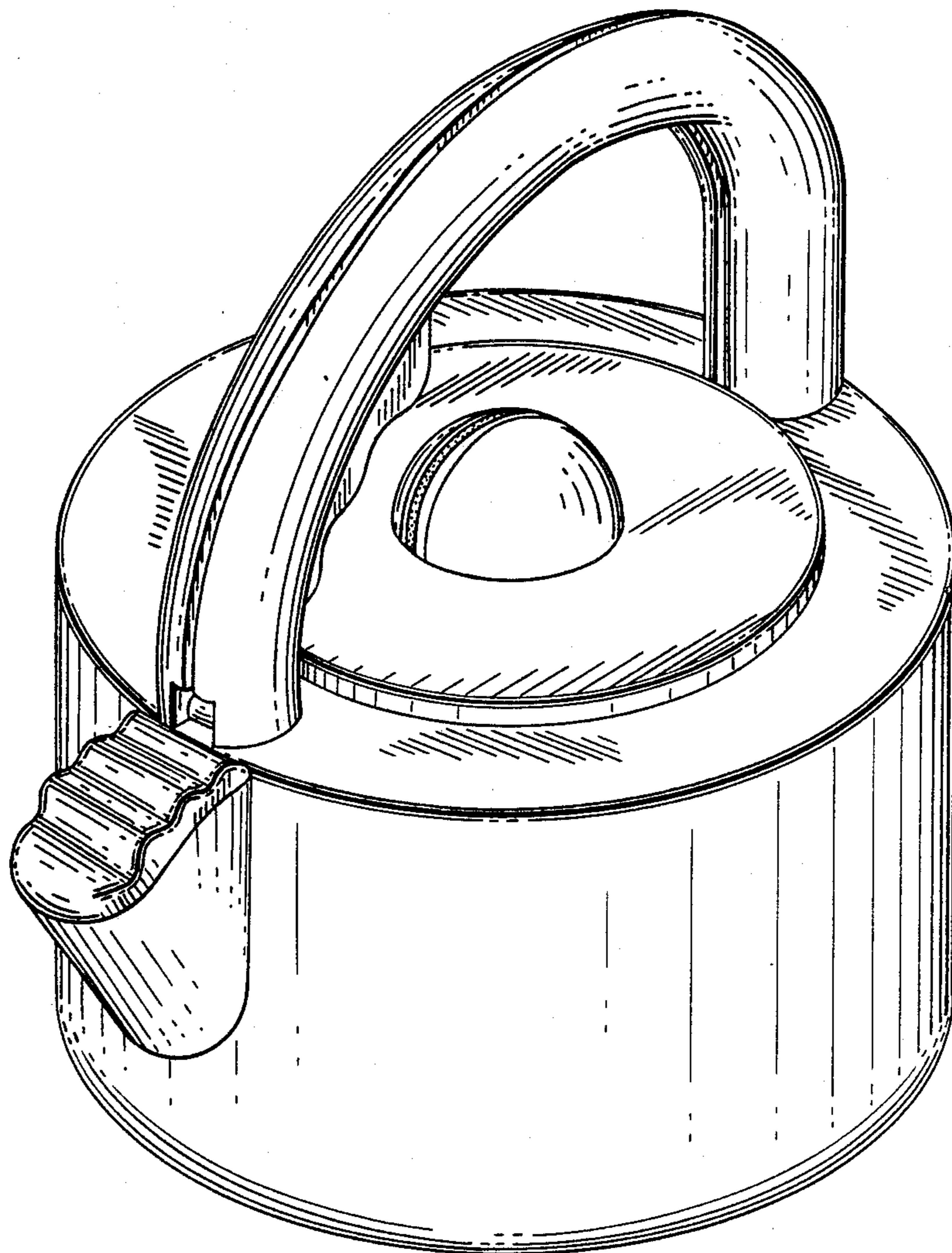


FIG. 1



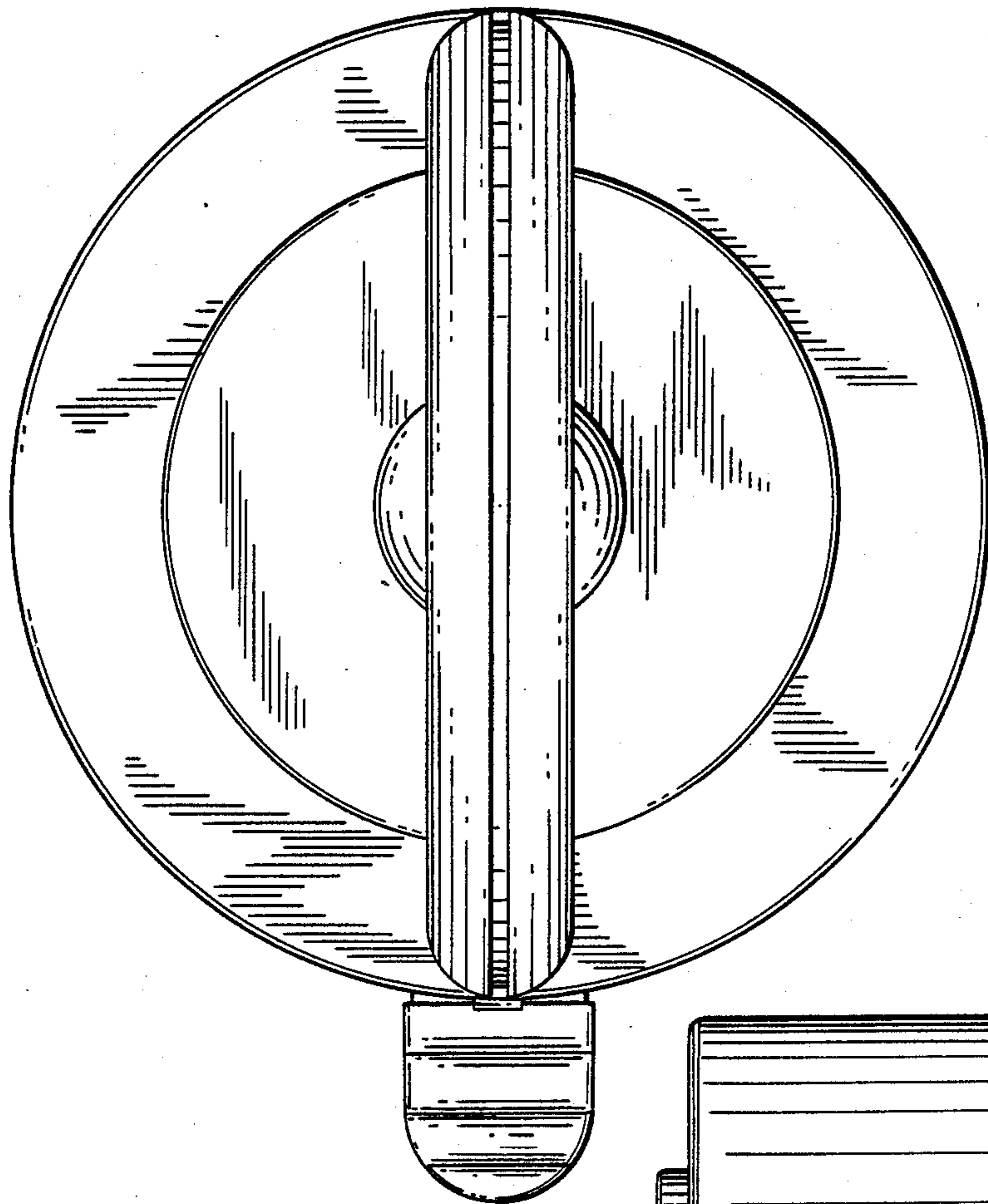


FIG. 2

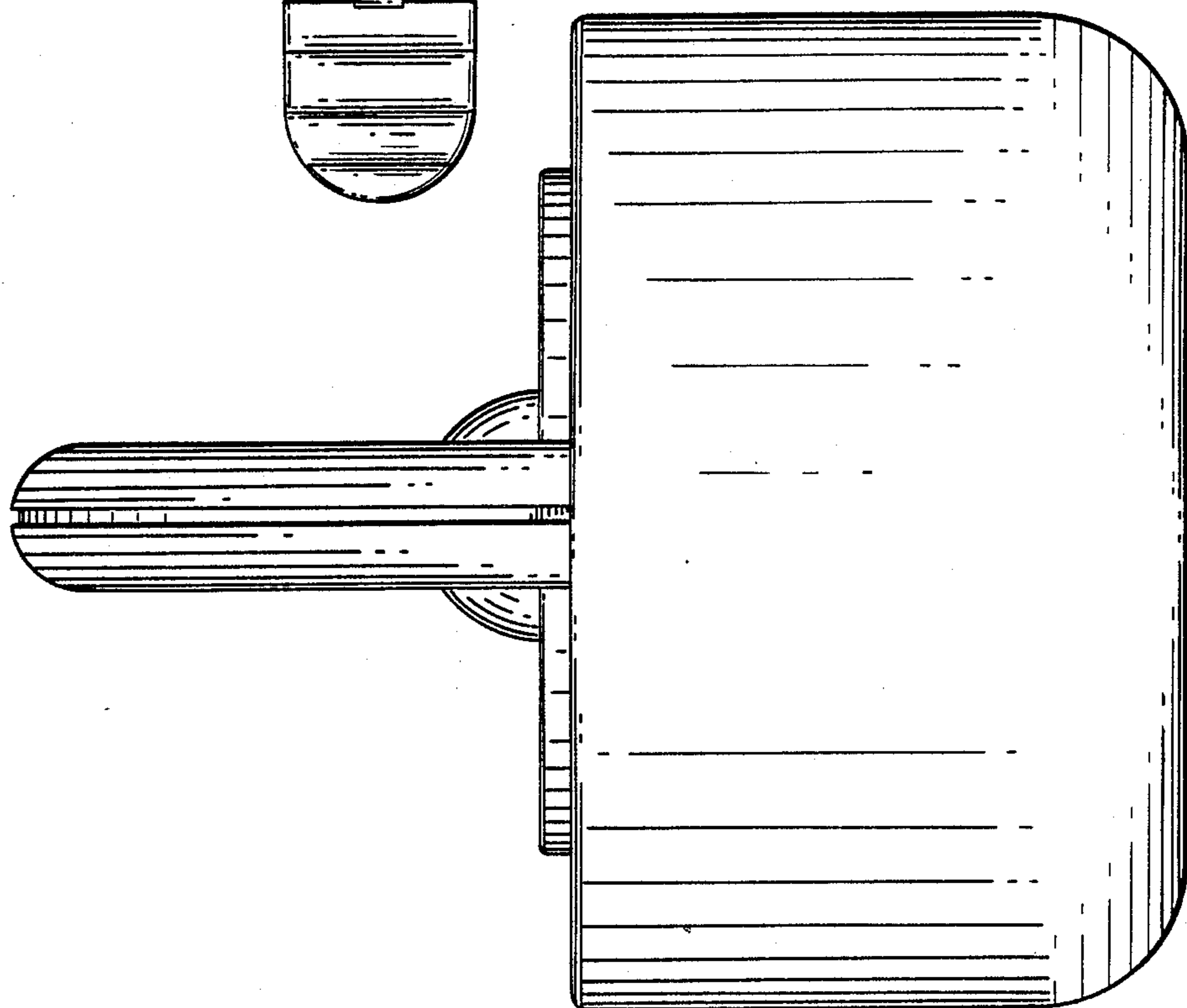


FIG. 3

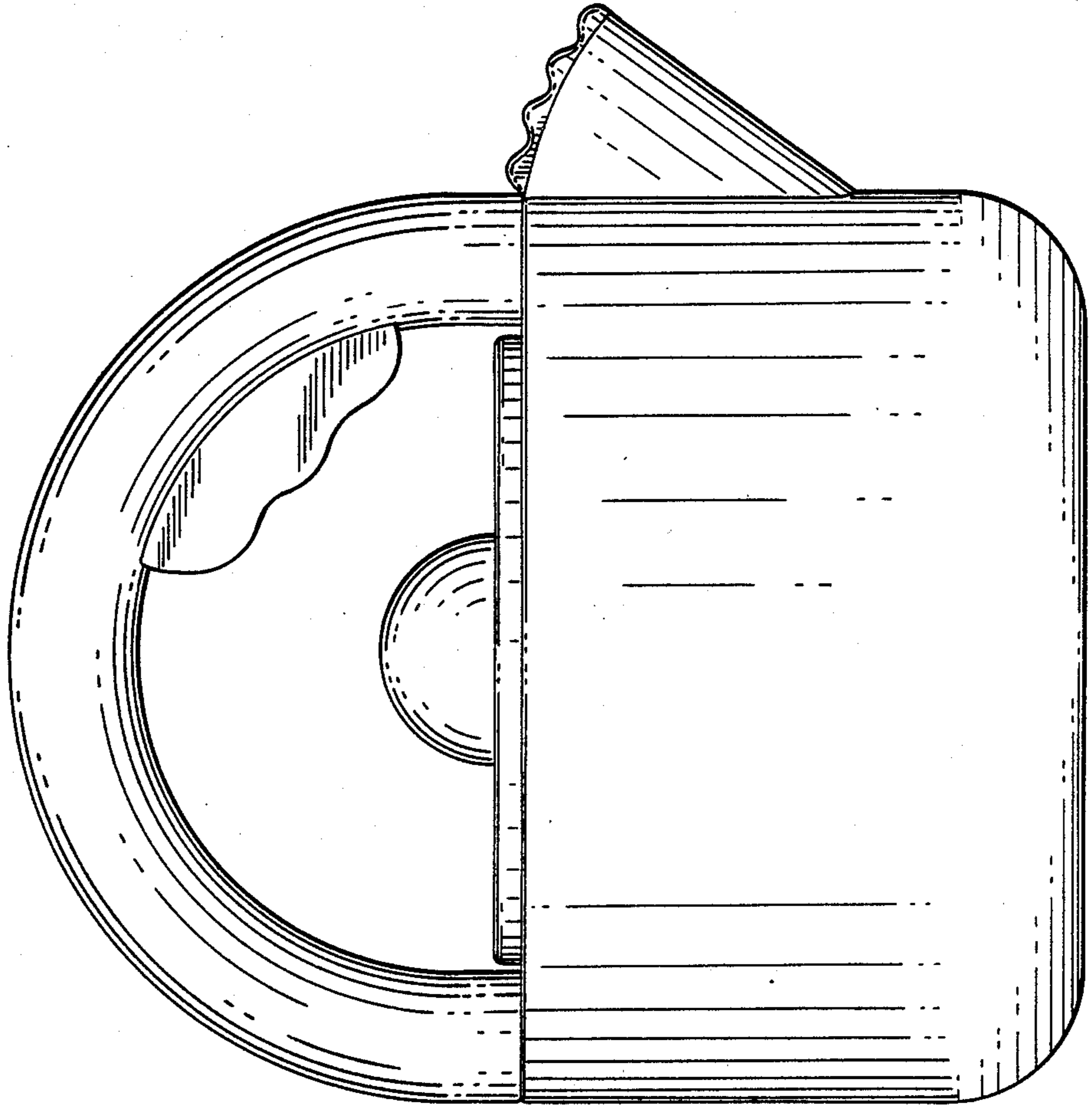


FIG. 4

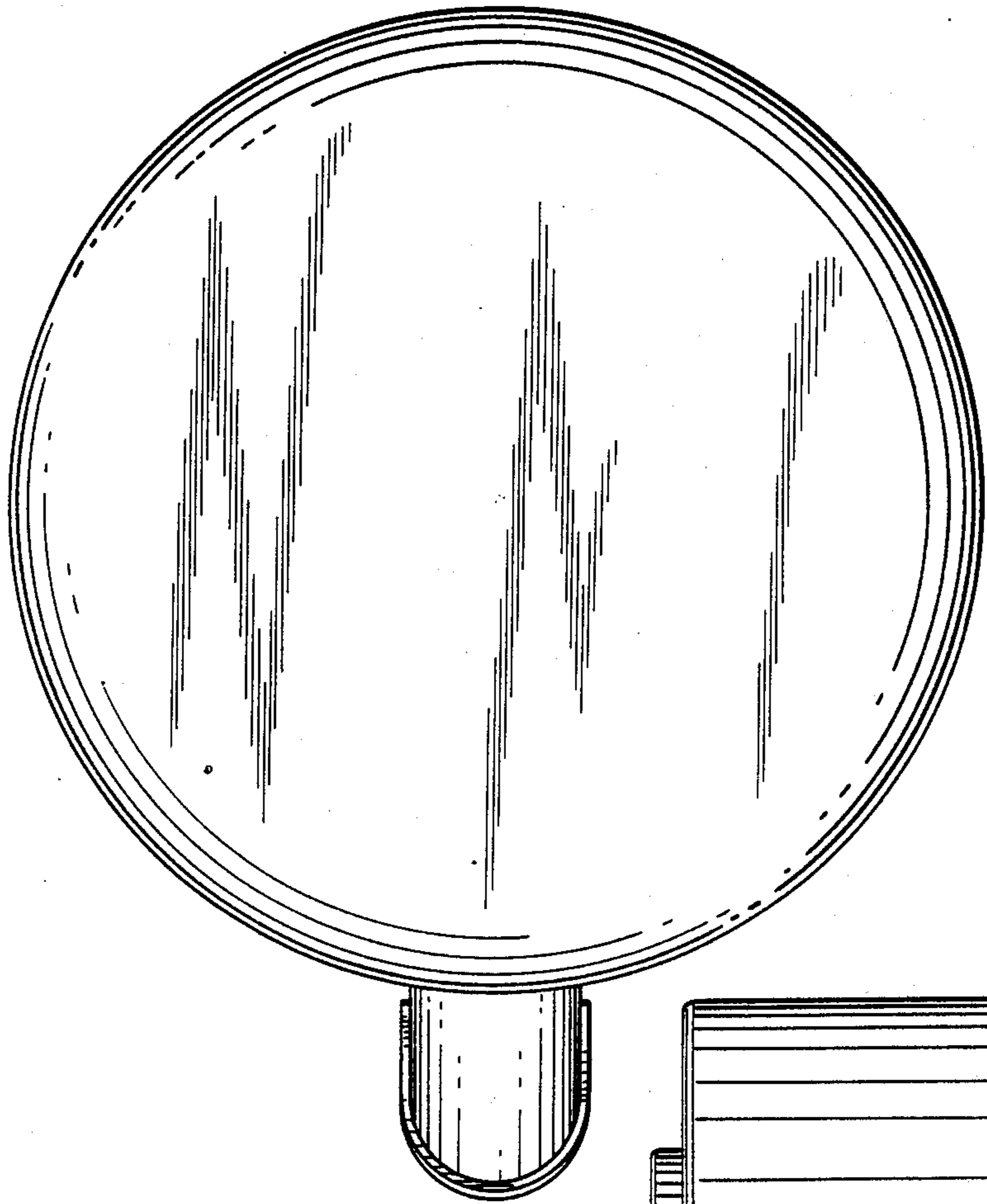


FIG. 6

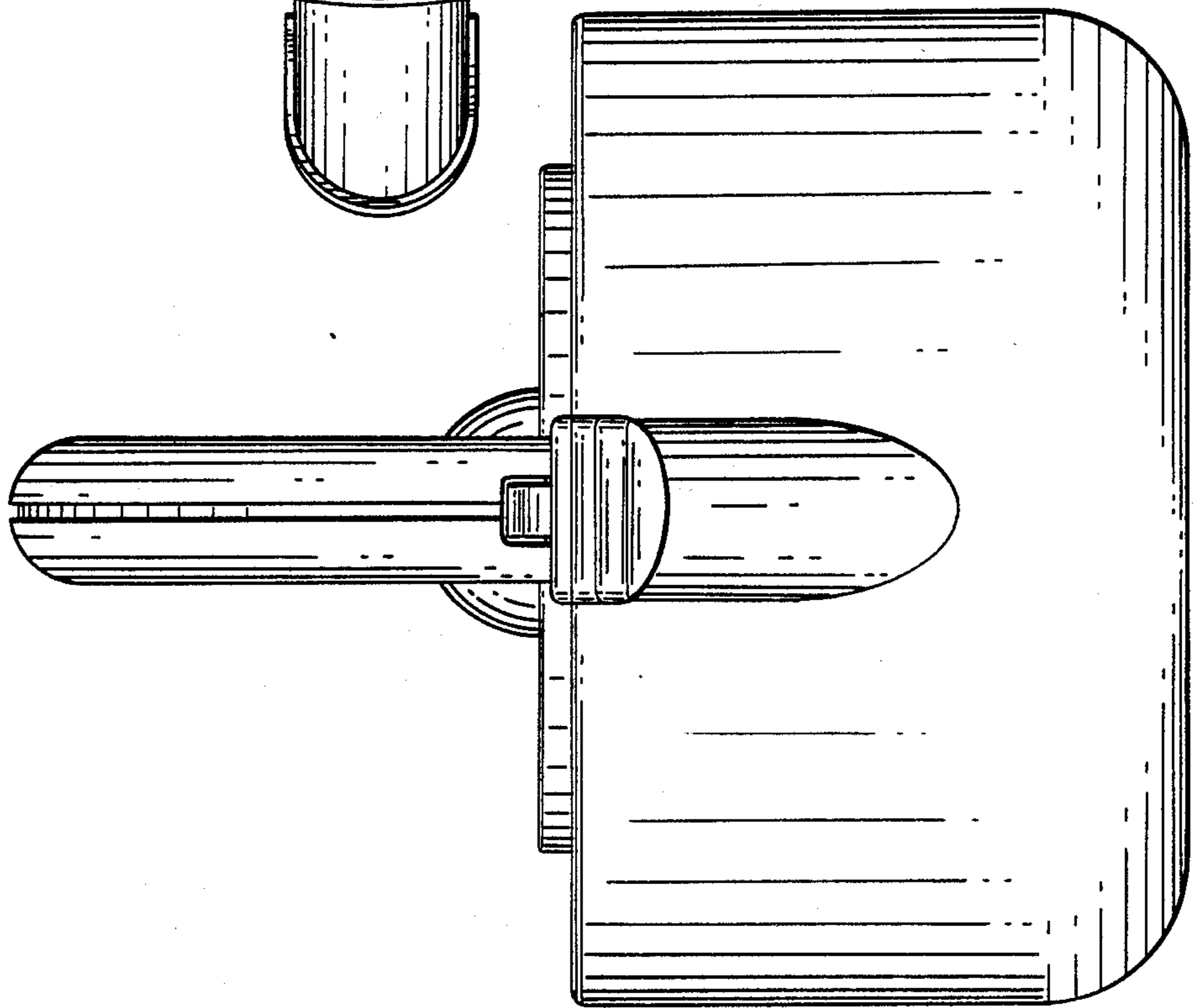


FIG. 5