

[54] KETTLE

[76] Inventors: Heida L. Thurlow, 10814 Riverview, Houston, Tex. 77043; Elizabeth Walters, 5431 Cross Valley, Houston, Tex. 77066

[\*\*] Term: 14 Years

[21] Appl. No.: 928,173

[22] Filed: Nov. 7, 1986

[52] U.S. Cl. .... D7/322; D7/312; D7/314

[58] Field of Search ..... D7/300, 312, 315, 316-322, D7/314

[56] References Cited

U.S. PATENT DOCUMENTS

D. 5,969	7/1872	Hodgetts .....	D7/321
D. 39,119	2/1908	Sternau et al. ....	D7/320
D. 282,436	2/1986	Thurlow .....	D7/322
D. 289,001	3/1987	Thurlow .....	D7/321

OTHER PUBLICATIONS

*Domus* 669, Feb. 1986, p. 60, Sabattini Tea Pot in Top Panel/Dome Cover.

*House Furnishing Review*, Mar., 1938, p. 1, Whistling Tea Kettle, at top right, The Enterprise Aluminum Co. *Jewelers' Circular-Keystone*, Oct. 1984, p. 192, Mark E. Fortune Designed Teapot at bottom.

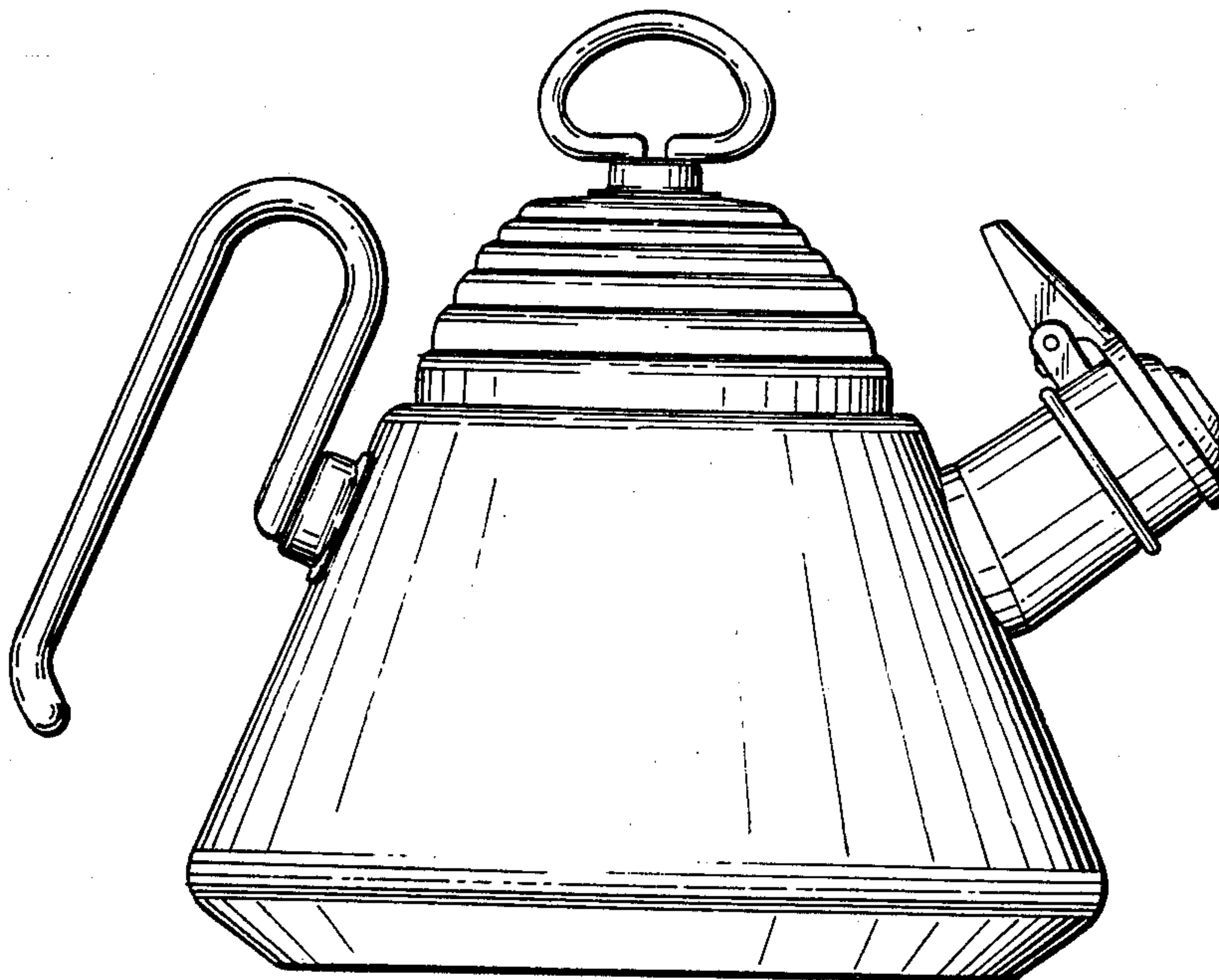
Primary Examiner—Winifred E. Herrmann  
Attorney, Agent, or Firm—Weil, Gotshal & Manges

[57] CLAIM

The ornamental design for a kettle, as shown.

DESCRIPTION

FIG. 1 is a top, front and right side perspective view of a kettle showing our new design; FIG. 2 is a top plan view thereof; FIG. 3 is a front elevational view thereof; FIG. 4 is a left side elevational view thereof; FIG. 5 is a rear elevational view thereof; and FIG. 6 is a bottom plan view thereof.



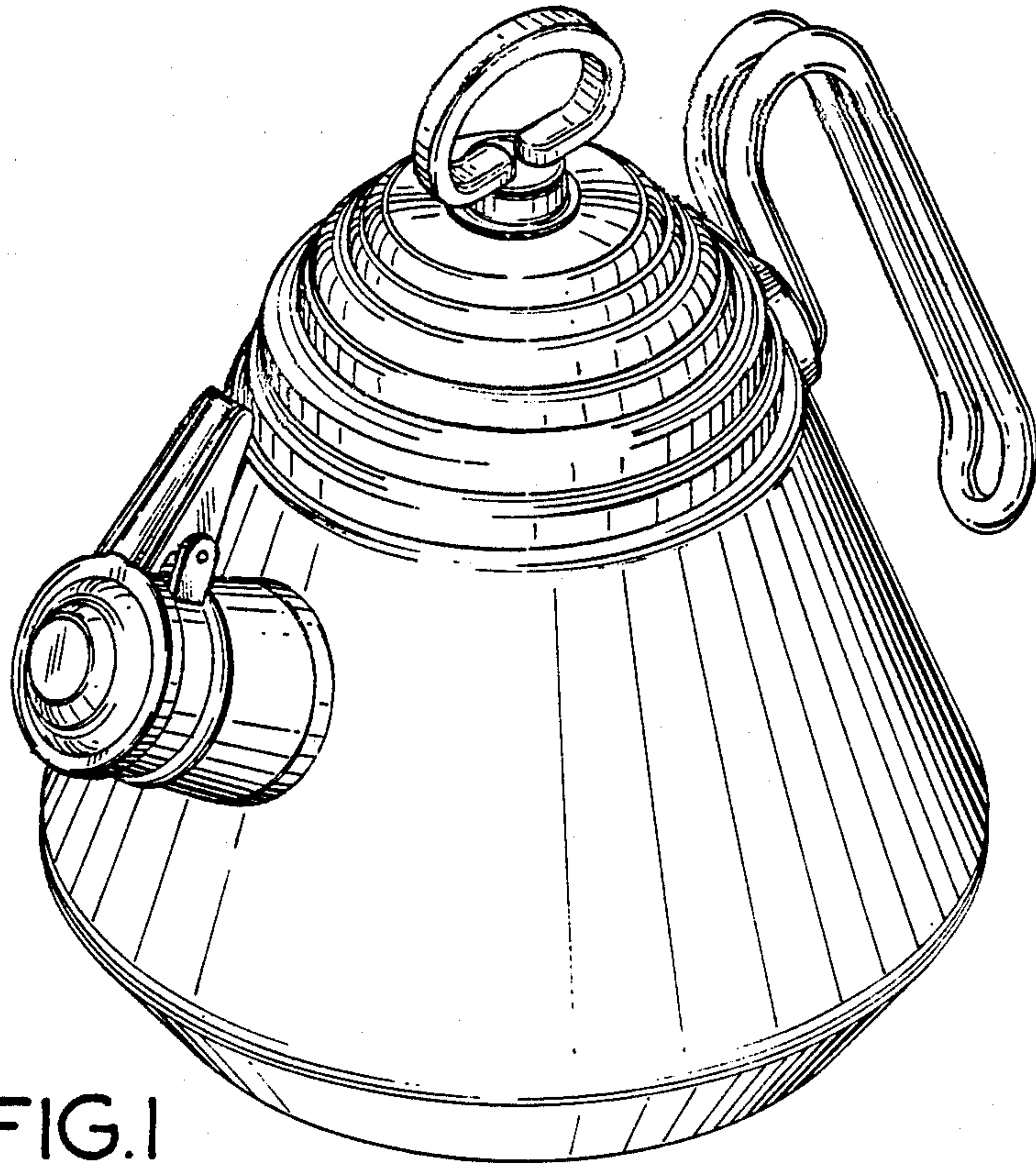


FIG. 1

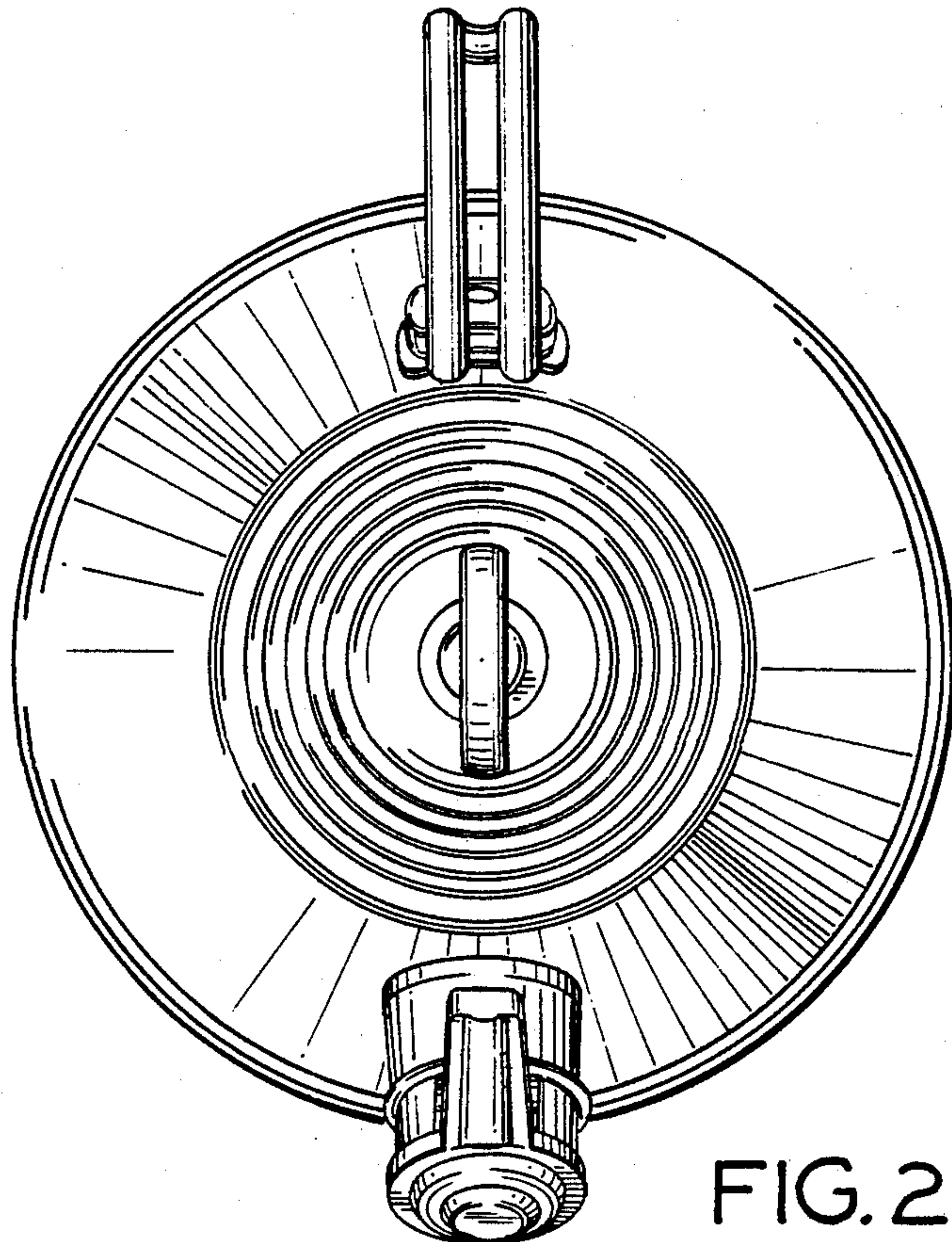


FIG. 2



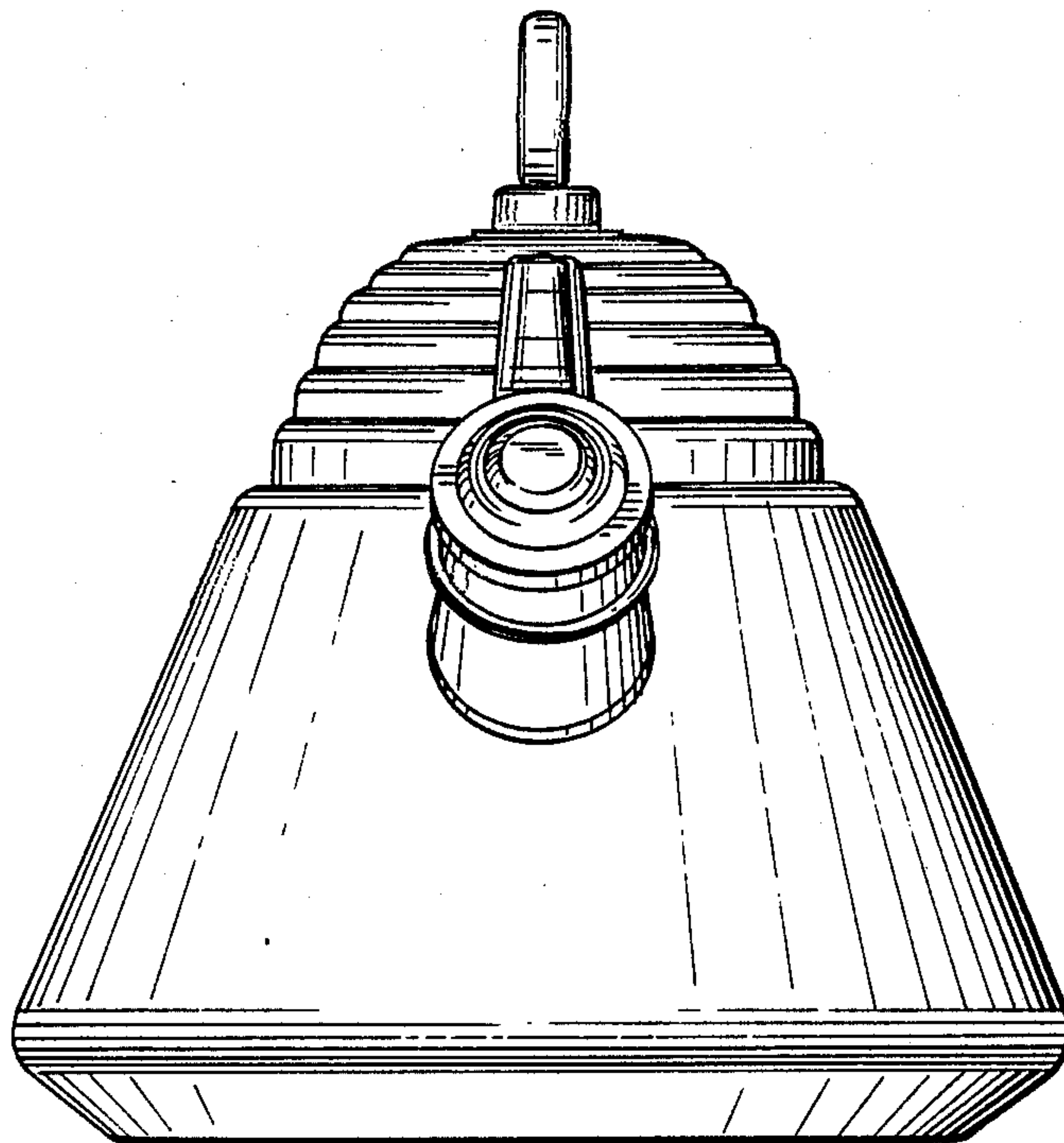


FIG. 3

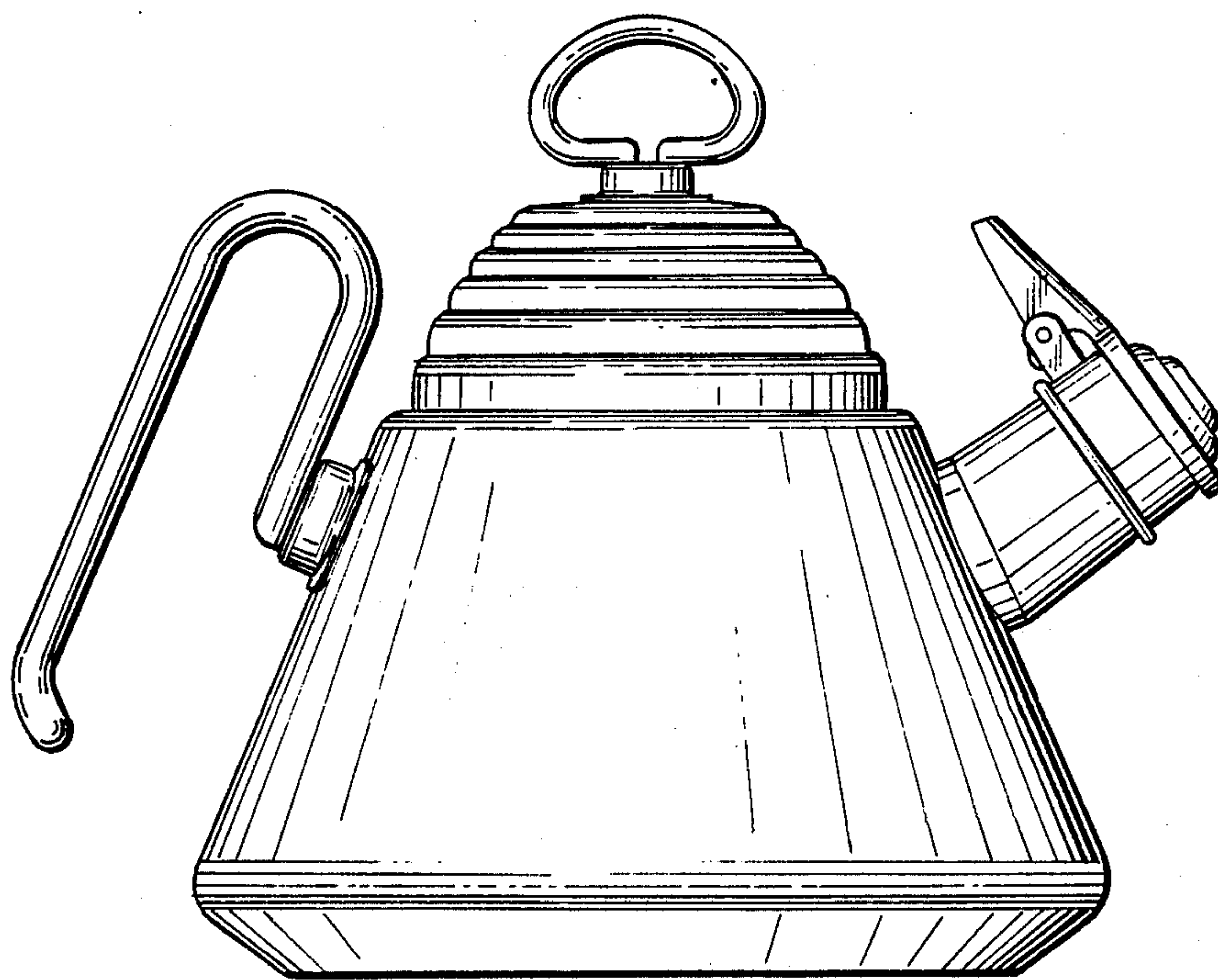


FIG. 4

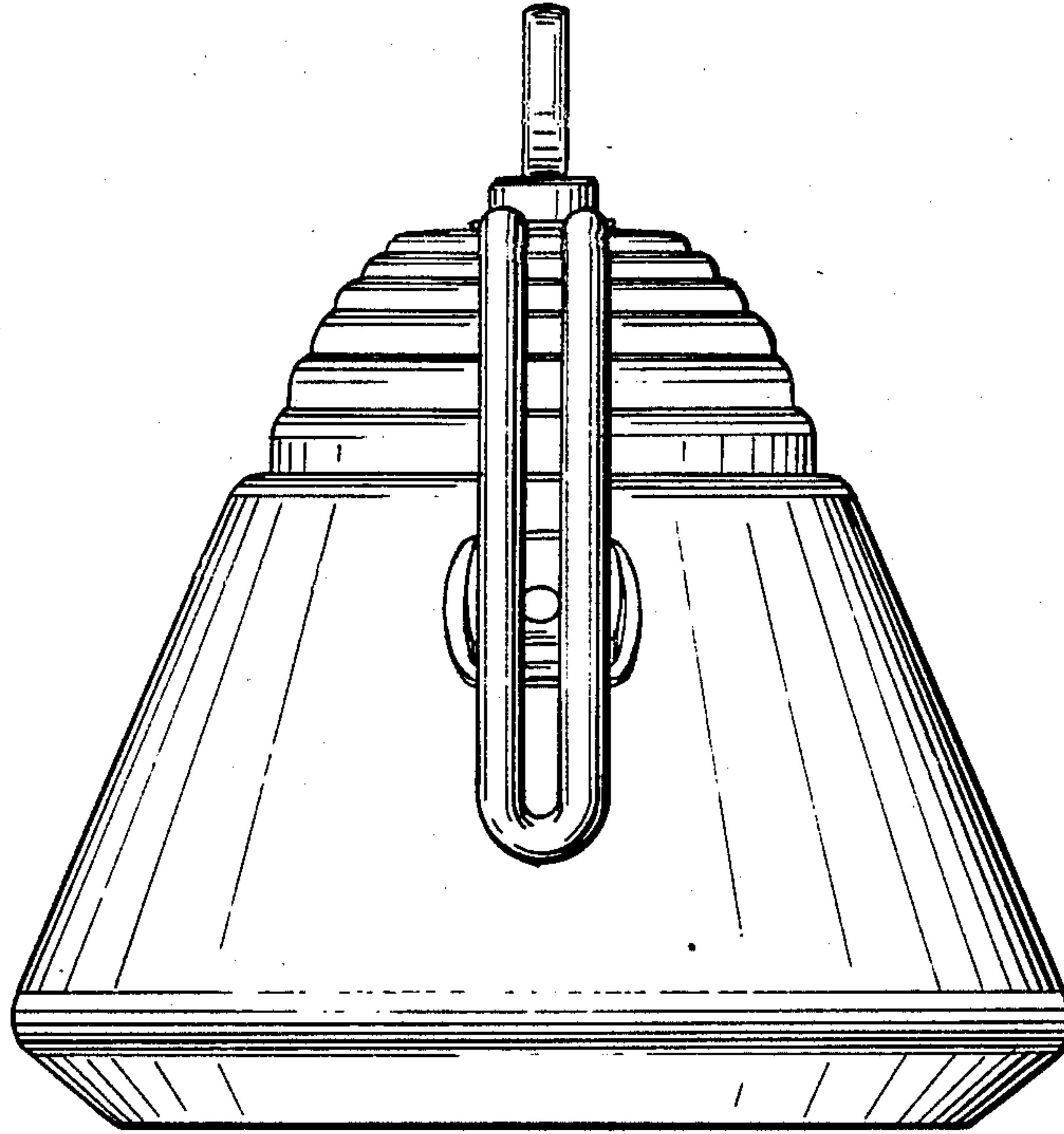


FIG. 5

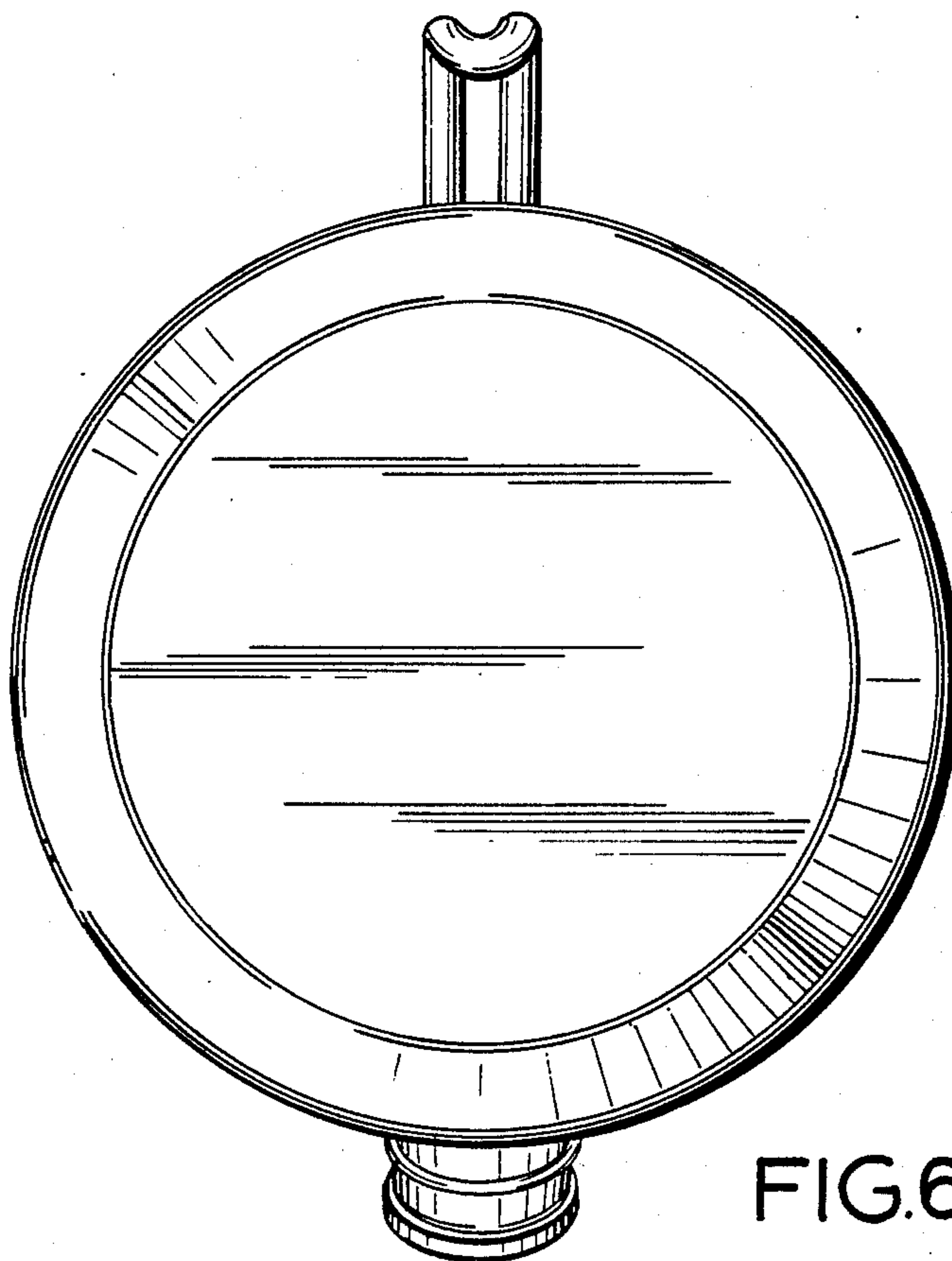


FIG. 6