

[54] COMBINED DART AND DART TIP HOLDER

[76] Inventor: Stanley W. Pearson, 1601 Cambridge Dr., Kinston, N.C. 28501

[**] Term: 14 Years

[21] Appl. No.: 197,756

[22] Filed: May 23, 1988

[52] U.S. Cl. D6/552

[58] Field of Search D6/512, 534, 552-553, D6/567, 569-571; D7/601, 637; 211/1, 13, 60.1, 69, 69.1, 70.6, 70.7, 86-87, 89

[56] References Cited

U.S. PATENT DOCUMENTS

- D. 155,024 8/1949 Mozneck D6/571
- D. 277,715 2/1985 Levy et al. D6/571
- D. 290,672 7/1987 Pearson D6/574 X

- 4,294,365 10/1981 Henderson 211/87 X
- 4,660,719 4/1987 Peterson et al. 211/69 X

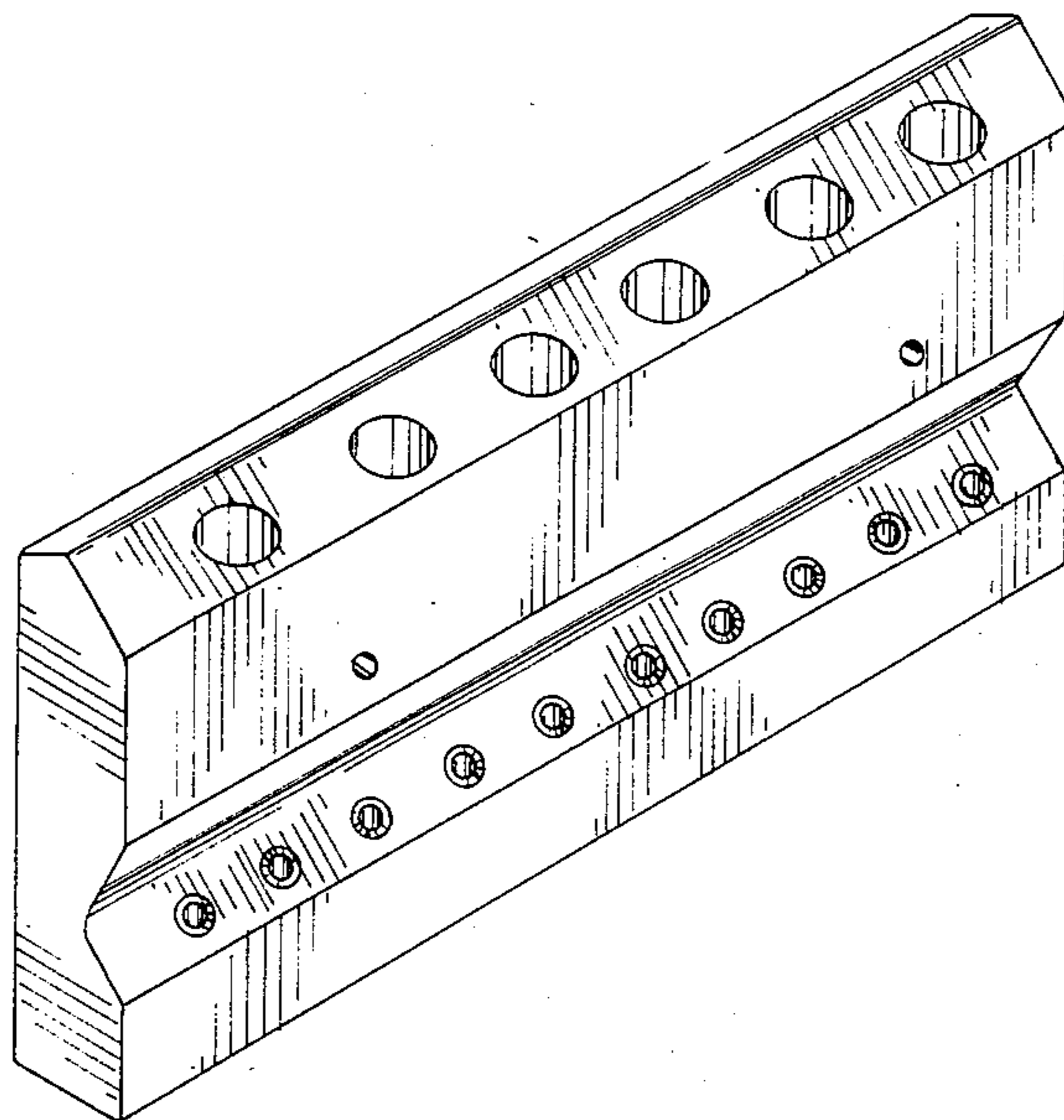
Primary Examiner—Wallace R. Burke
Assistant Examiner—Brian N. Vinson

[57] CLAIM

The ornamental design for a combined dart and dart tip holder, as shown and described.

DESCRIPTION

FIG. 1 is a front elevational view of a combined dart and dart tip holder showing my new design; FIG. 2 is a rear elevational view thereof; FIG. 3 is a left side elevational view thereof; FIG. 4 is a right side elevational view thereof; FIG. 5 is a top plan view thereof; FIG. 6 is a bottom plan view thereof; and FIG. 7 is a top, front, and left side perspective view thereof.



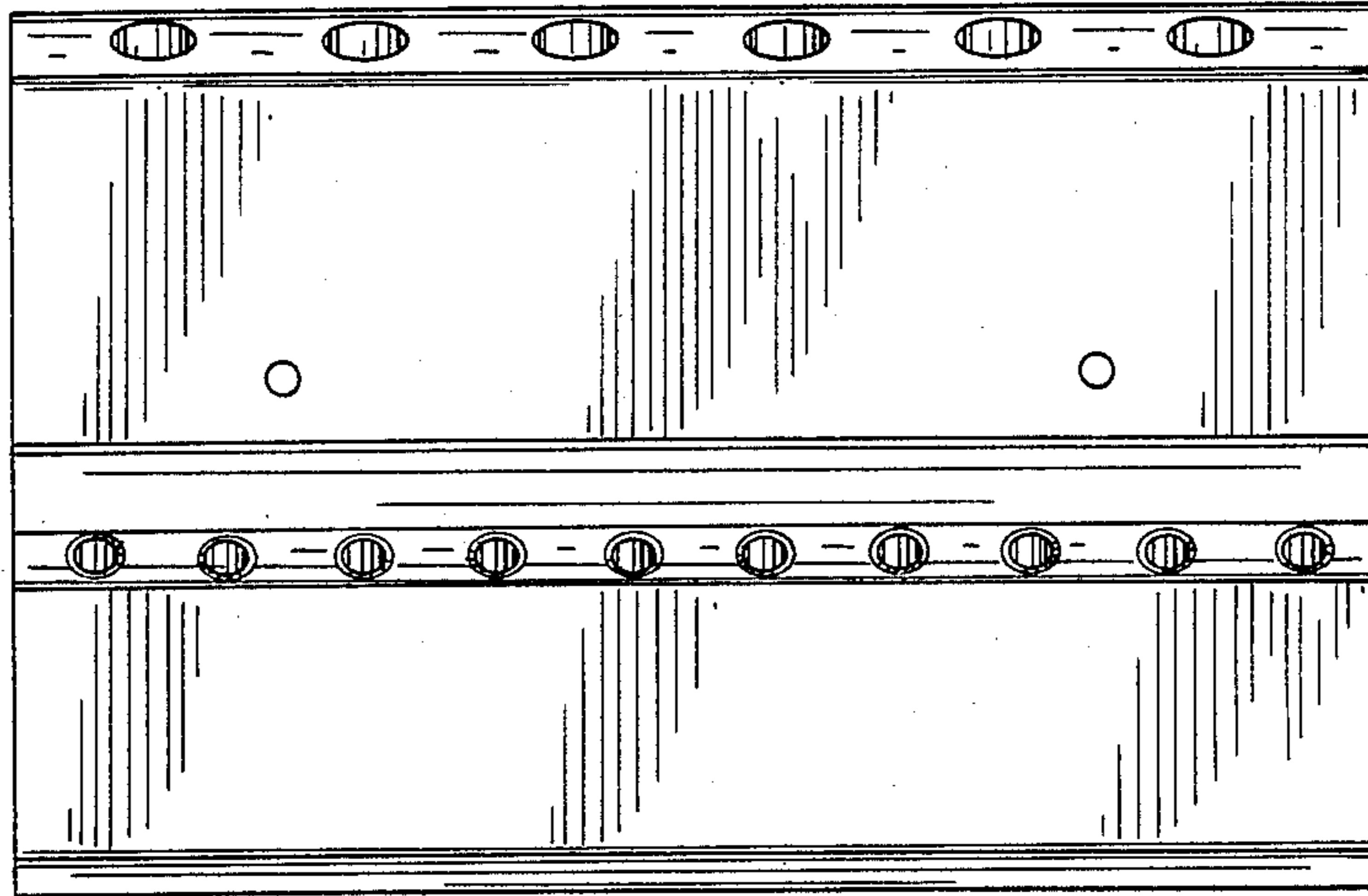


FIG. 1

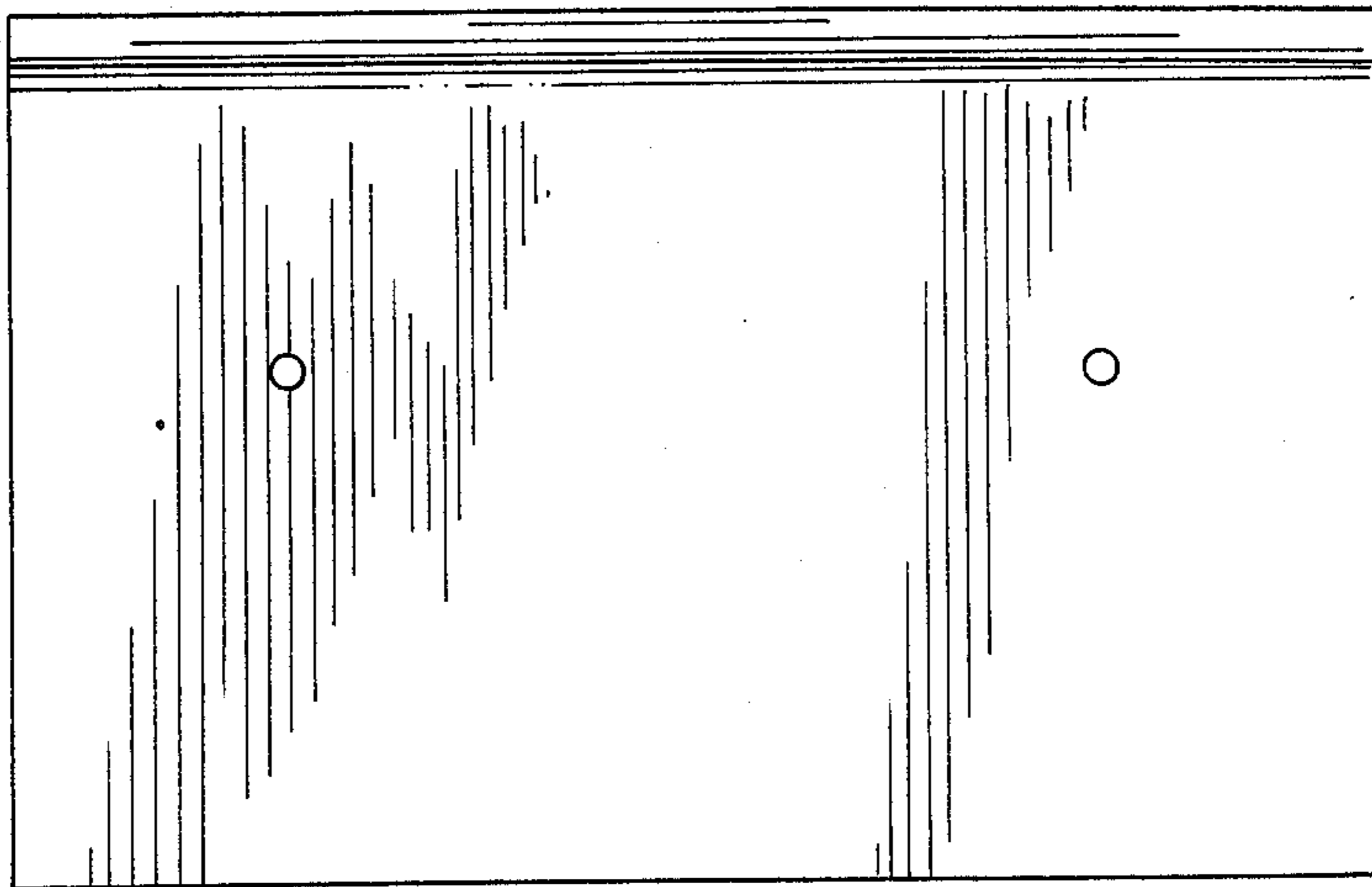


FIG. 2

FIG. 3

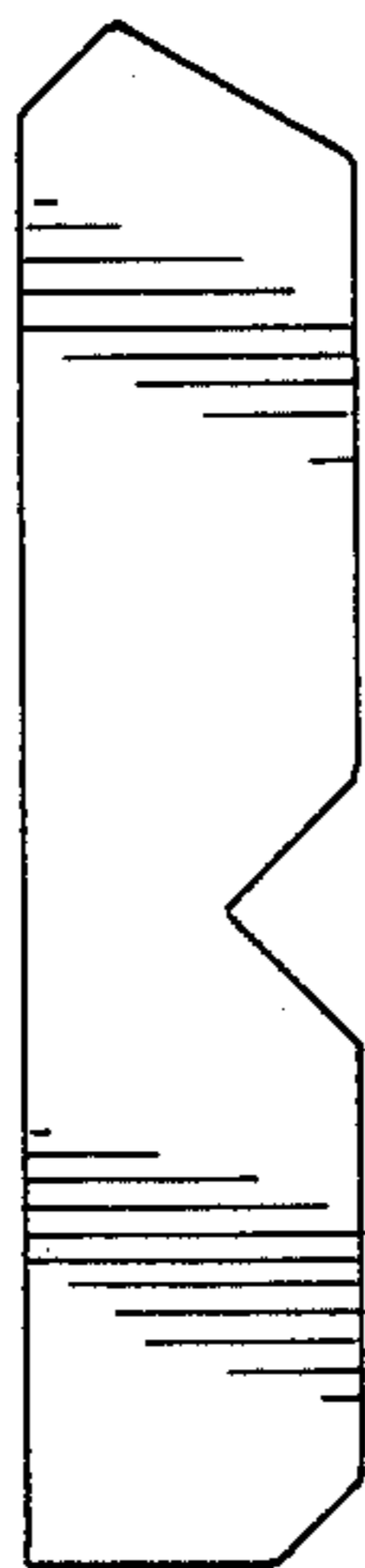
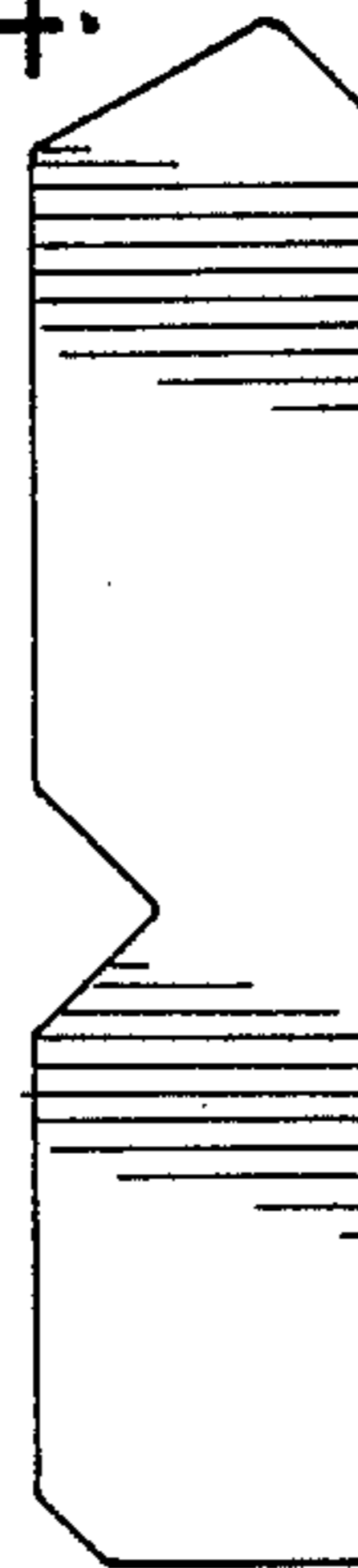


FIG. 4



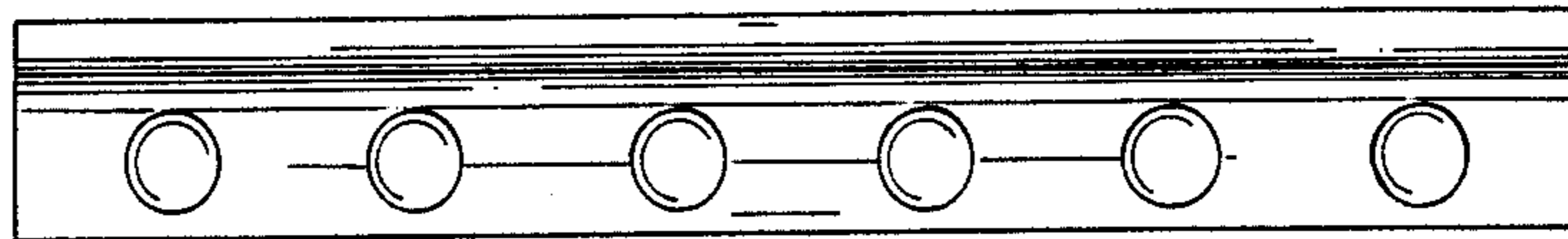


FIG. 5



FIG. 6

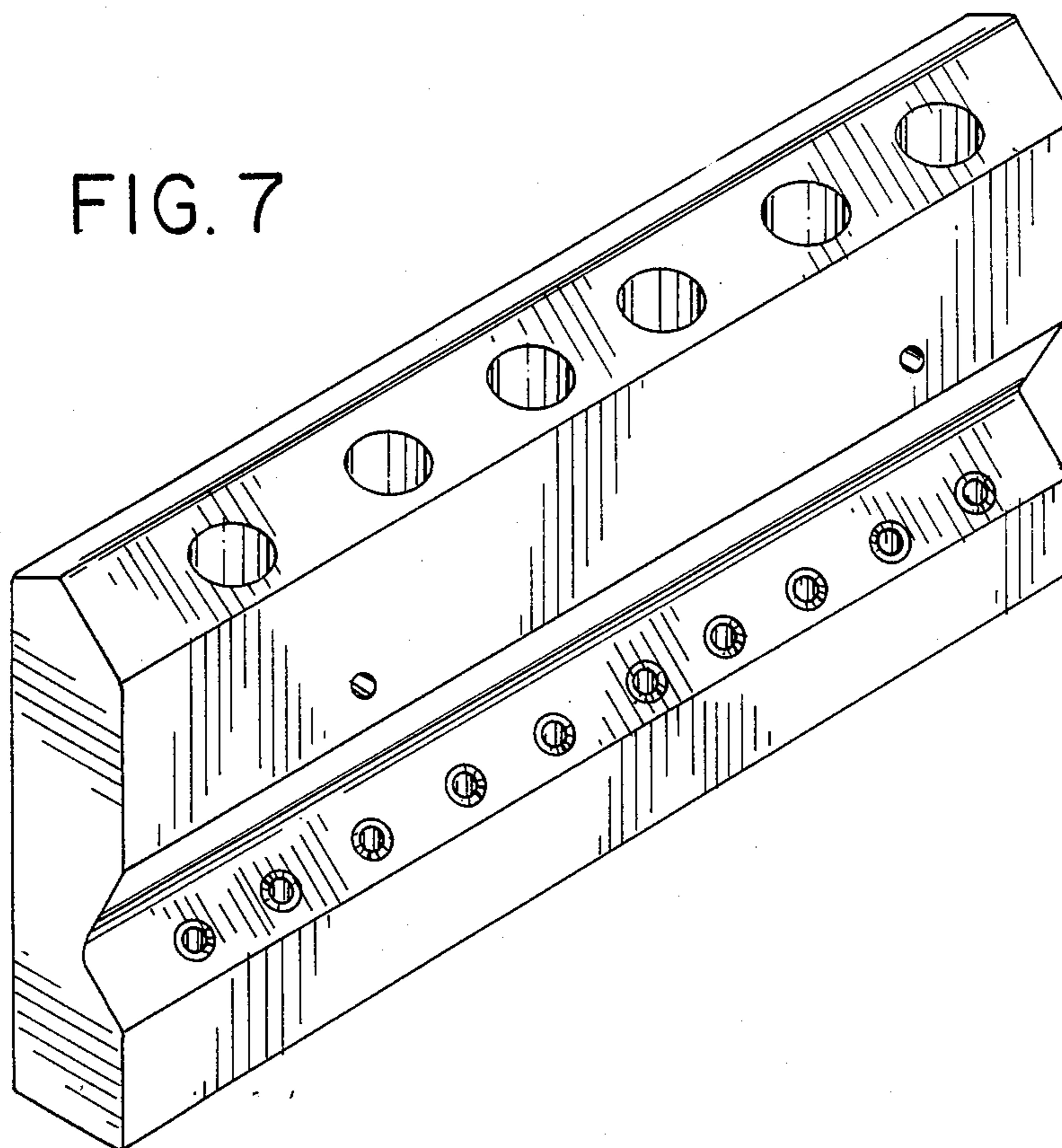


FIG. 7