

[54] TOILET PAPER ROLL HOLDER

[76] Inventor: Daniel Mintz, 70 Cambridge Pl., Brooklyn, N.Y. 11238

[\*\*] Term: 14 Years

[21] Appl. No.: 87,449

[22] Filed: Aug. 20, 1987

[52] U.S. Cl. .... D6/523; D6/518

[58] Field of Search ..... D6/515, 518, 523; 242/55.2, 55.3, 55.42; D8/354, 356, 363, 373, 380, 400, 300, 303, 306, 308, 315, 318, 88-89

[56] References Cited

U.S. PATENT DOCUMENTS

- D. 155,897 11/1949 Huntington ..... D6/523
- D. 205,855 9/1966 Swanson ..... D6/523
- 2,592,571 4/1952 Huntington ..... 242/55.2
- 2,697,562 12/1954 Langer ..... D6/520 X

3,067,963 12/1962 Suggs ..... 242/55.2  
4,319,687 3/1982 Hull ..... 242/55.2 X

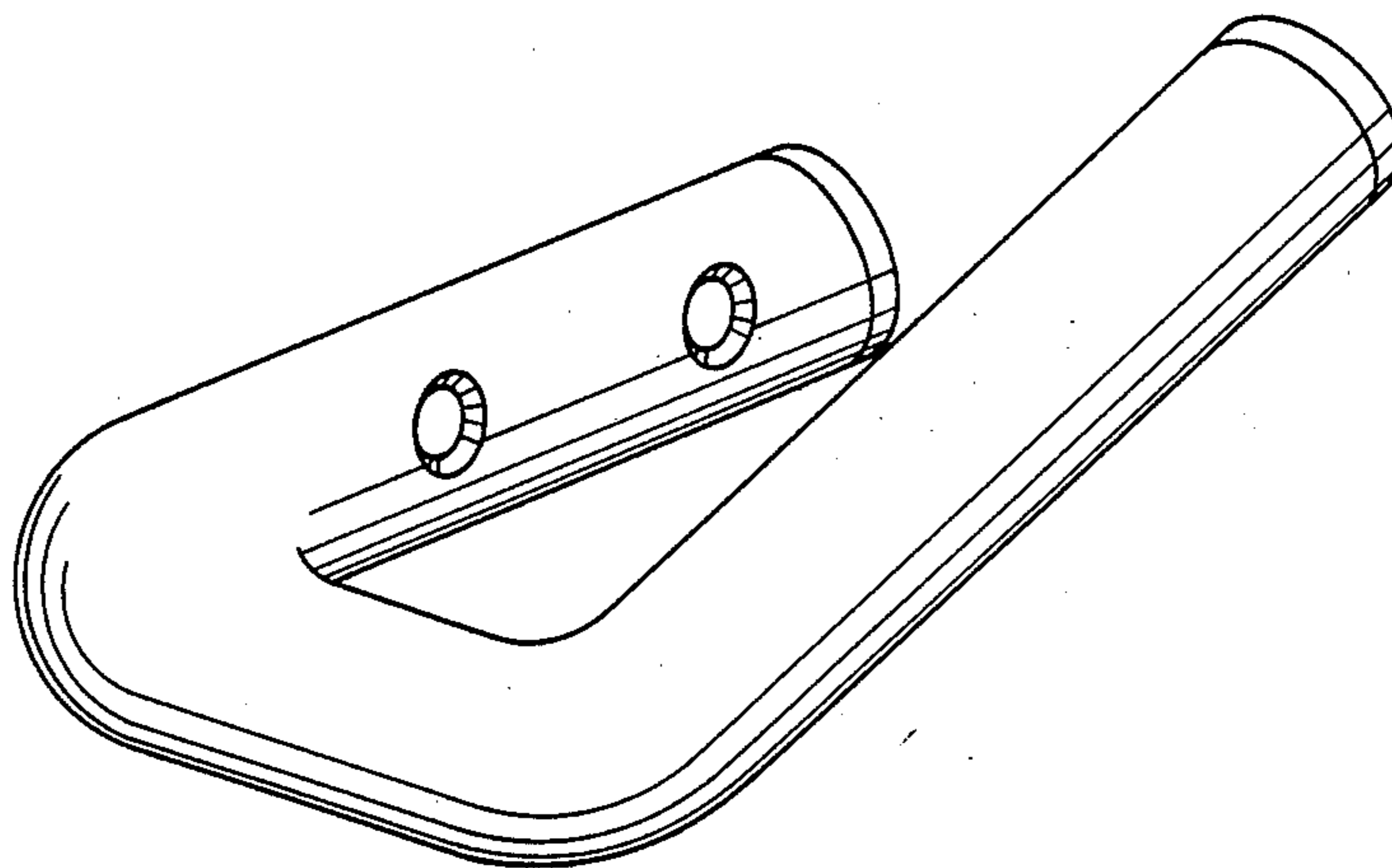
Primary Examiner—Wallace R. Burke  
Assistant Examiner—Brian N. Vinson  
Attorney, Agent, or Firm—Steele, Gould & Fried

[57] CLAIM

The ornamental design for a toilet paper roll holder, as shown and described.

DESCRIPTION

FIG. 1 is a top, front and left side perspective view of a toilet paper roll holder showing my new design; FIG. 2 is a left side elevational view thereof; FIG. 3 is a top plan view thereof; FIG. 4 is a bottom plan view thereof; FIG. 5 is a right side elevational view thereof; FIG. 6 is a front elevational view thereof; and FIG. 7 is a rear elevational view thereof.



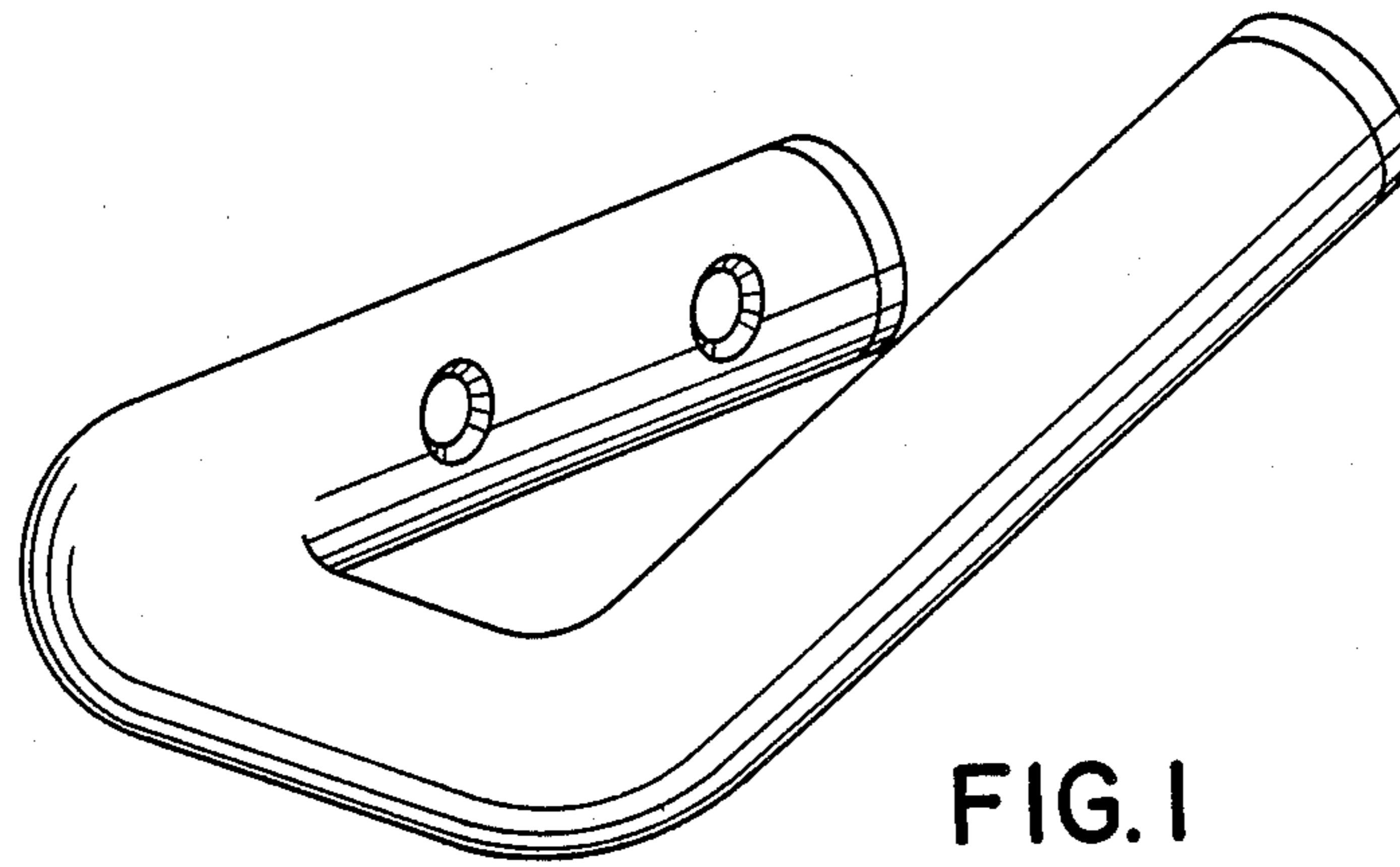


FIG. 1

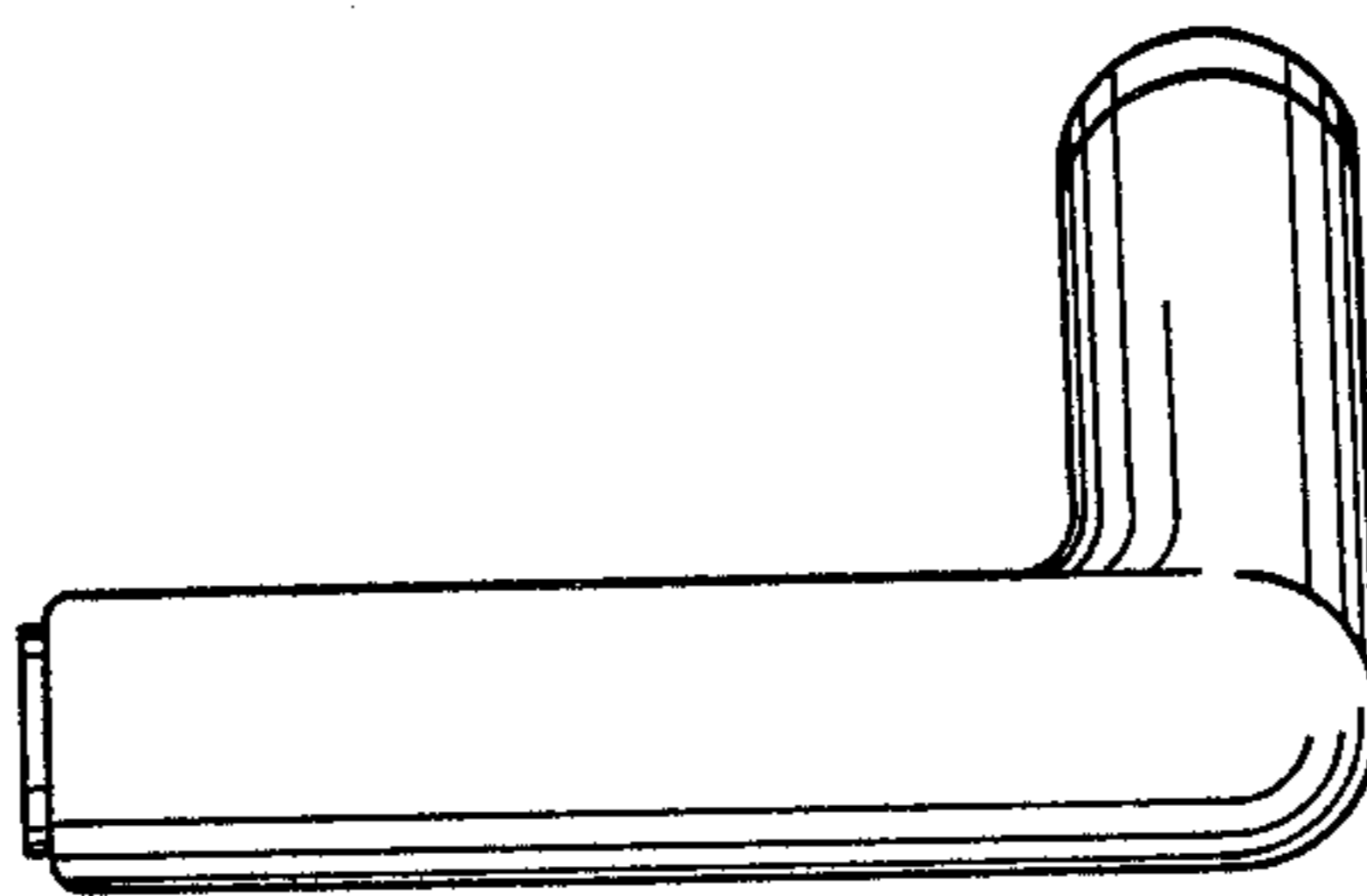


FIG. 2

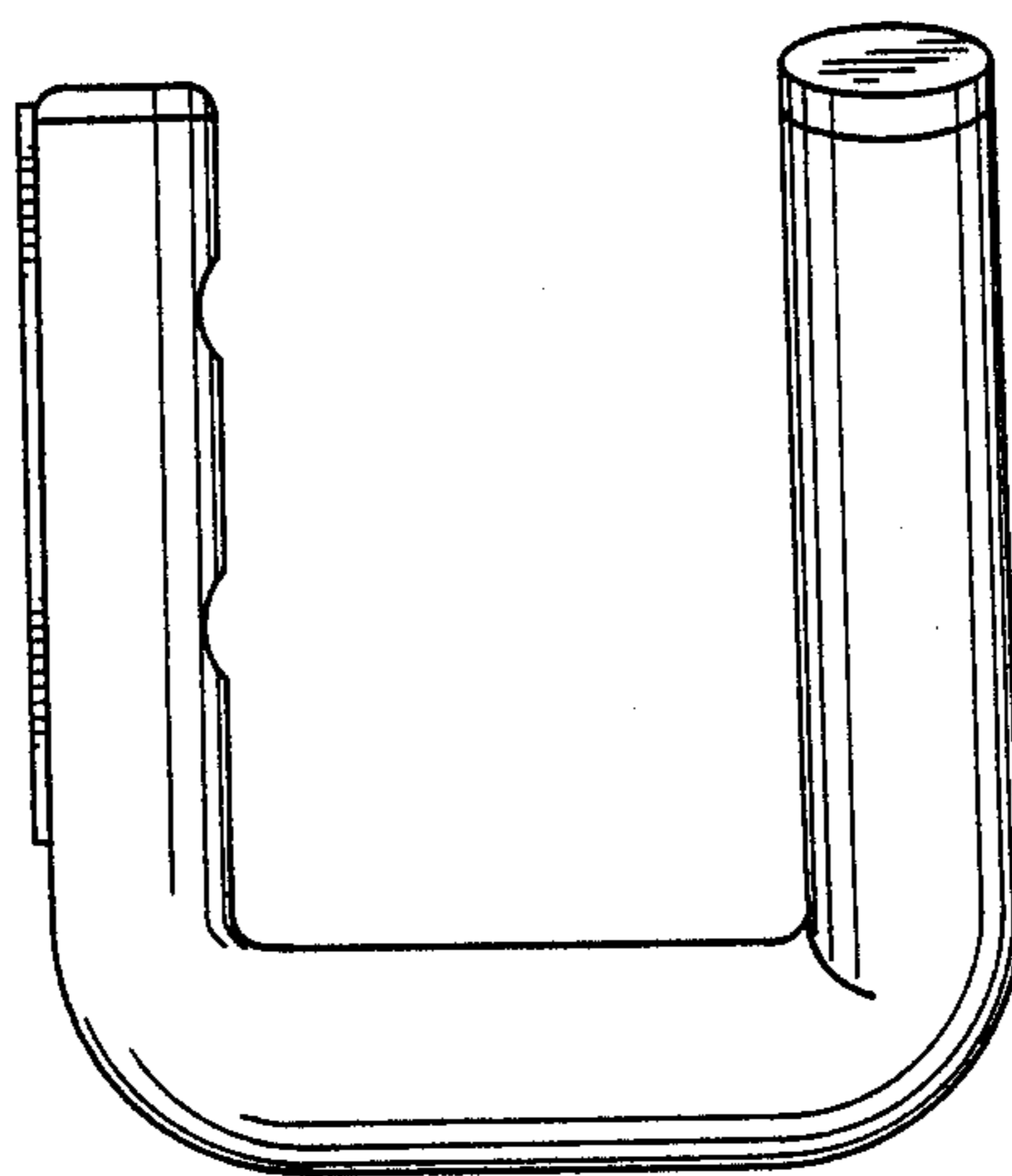


FIG. 3

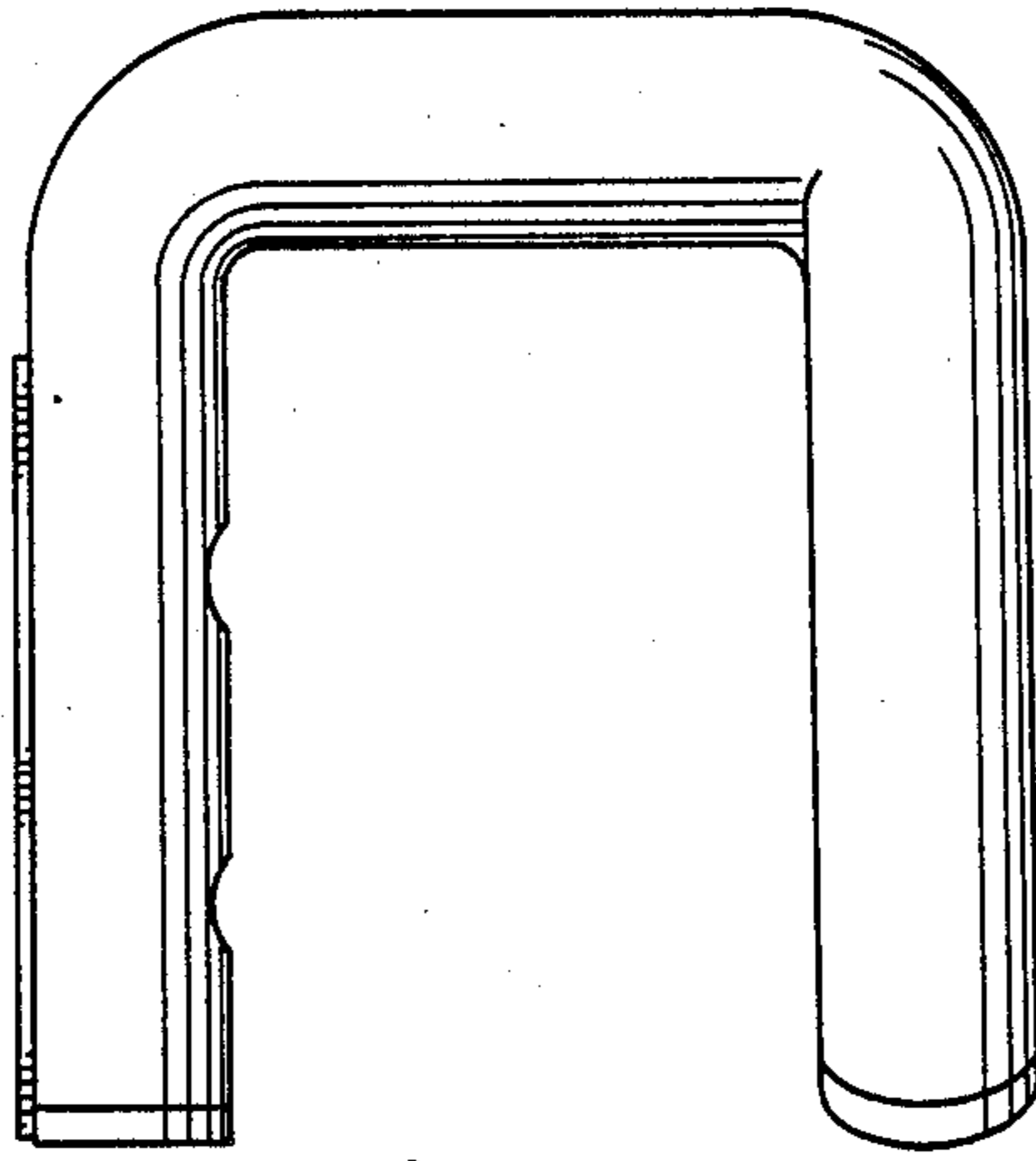


FIG. 4

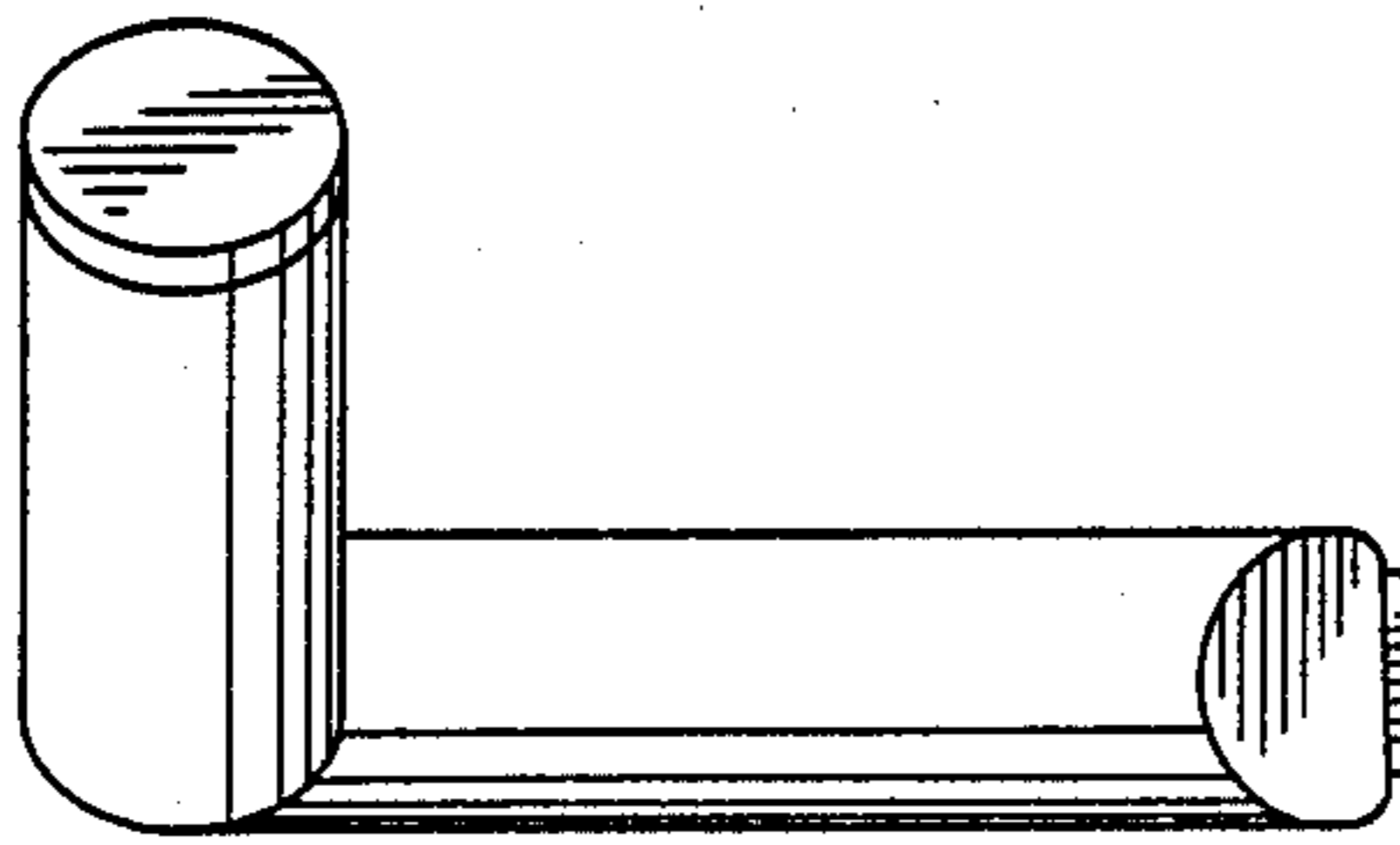


FIG. 5

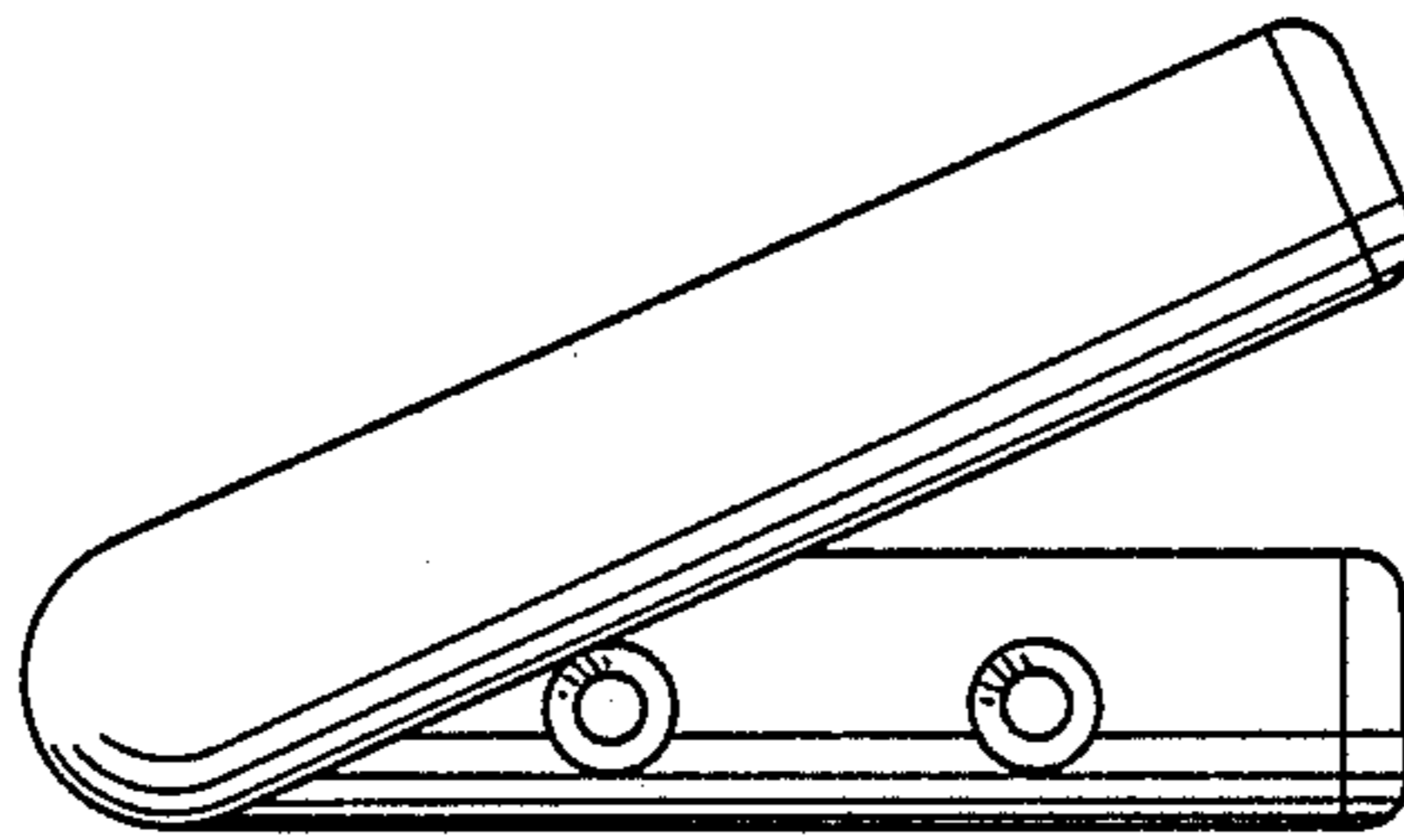


FIG. 6

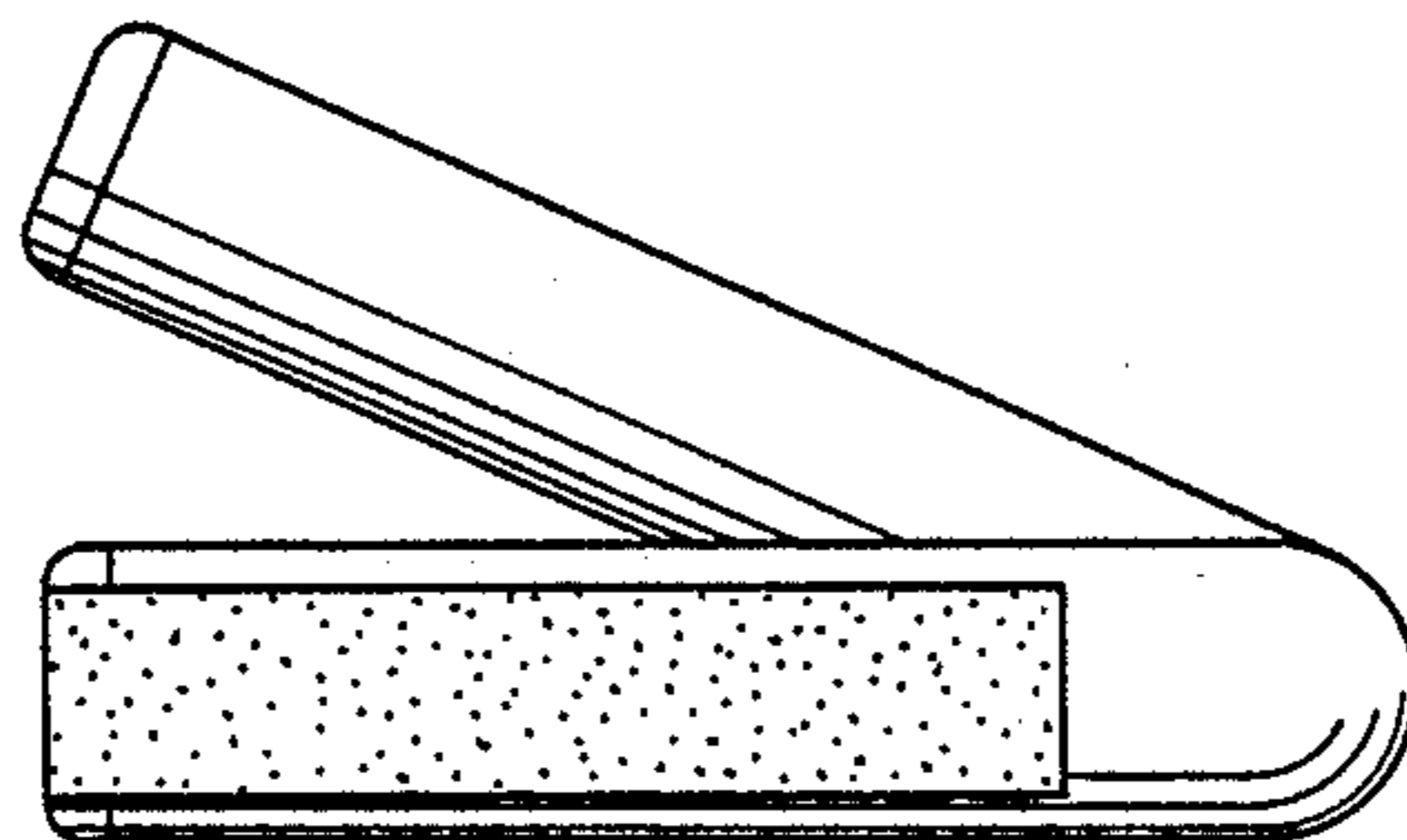


FIG. 7