

[54] **HAND GRIP ATTACHMENT FOR PATIENT'S BED**

[76] Inventor: Edson E. Foster, 2164 Bayview Rd., Punta Gorda, Fla. 33950

[**] Term: 14 Years

[21] Appl. No.: 101,276

[22] Filed: Sep. 25, 1987

[52] U.S. Cl. D6/491; 5/445; D6/503

[58] Field of Search D6/491, 503, 418; 5/508, 445

[56] **References Cited**

U.S. PATENT DOCUMENTS

- D. 199,957 1/1965 Bertoldo D6/503
- D. 222,805 1/1972 Osborn D6/503 X
- D. 292,352 10/1987 Hampshire et al. D6/418
- 645,421 3/1900 Libby 5/508 X

- 3,029,447 4/1962 Maertins 5/445
- 3,286,283 11/1966 Bertoldo 5/445
- 4,515,361 5/1985 Melillo 5/508 X

Primary Examiner—Bruce W. Dunkins

Assistant Examiner—Janice E. Seeger

[57] **CLAIM**

The ornamental design for a hand grip attachment for a patient's bed, as shown and described.

DESCRIPTION

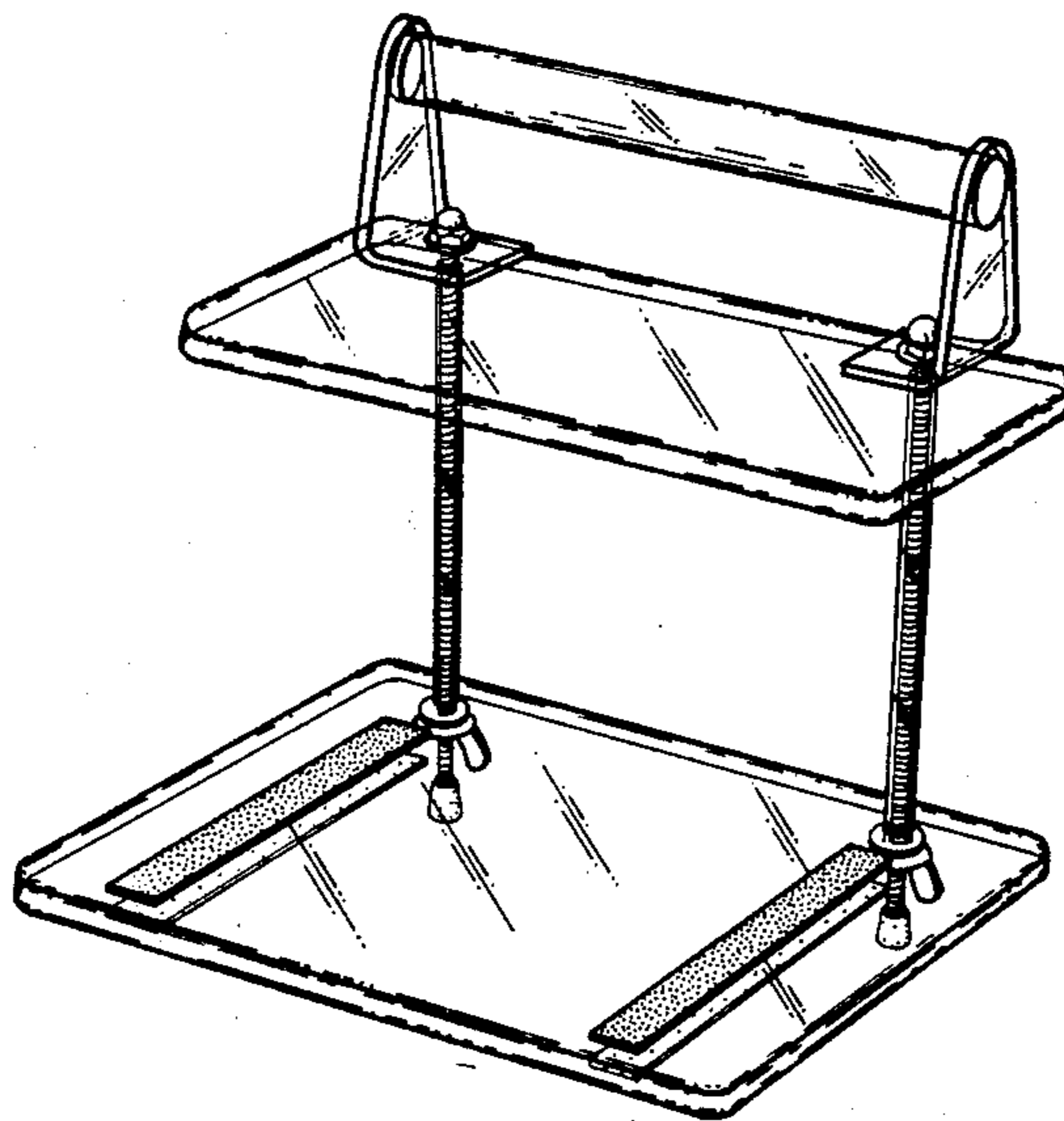
FIG. 1 is a perspective view of a hand grip attachment for a patient's bed, showing my new design;

FIG. 2 is a side elevational view, the opposite side being a mirror image thereof;

FIG. 3 is a front elevational view; and

FIG. 4 is a top plan view.

Elevation views of the hand hold device from the left side and rear are a mirror image of and identical to FIGS. 2 and 3, respectively.



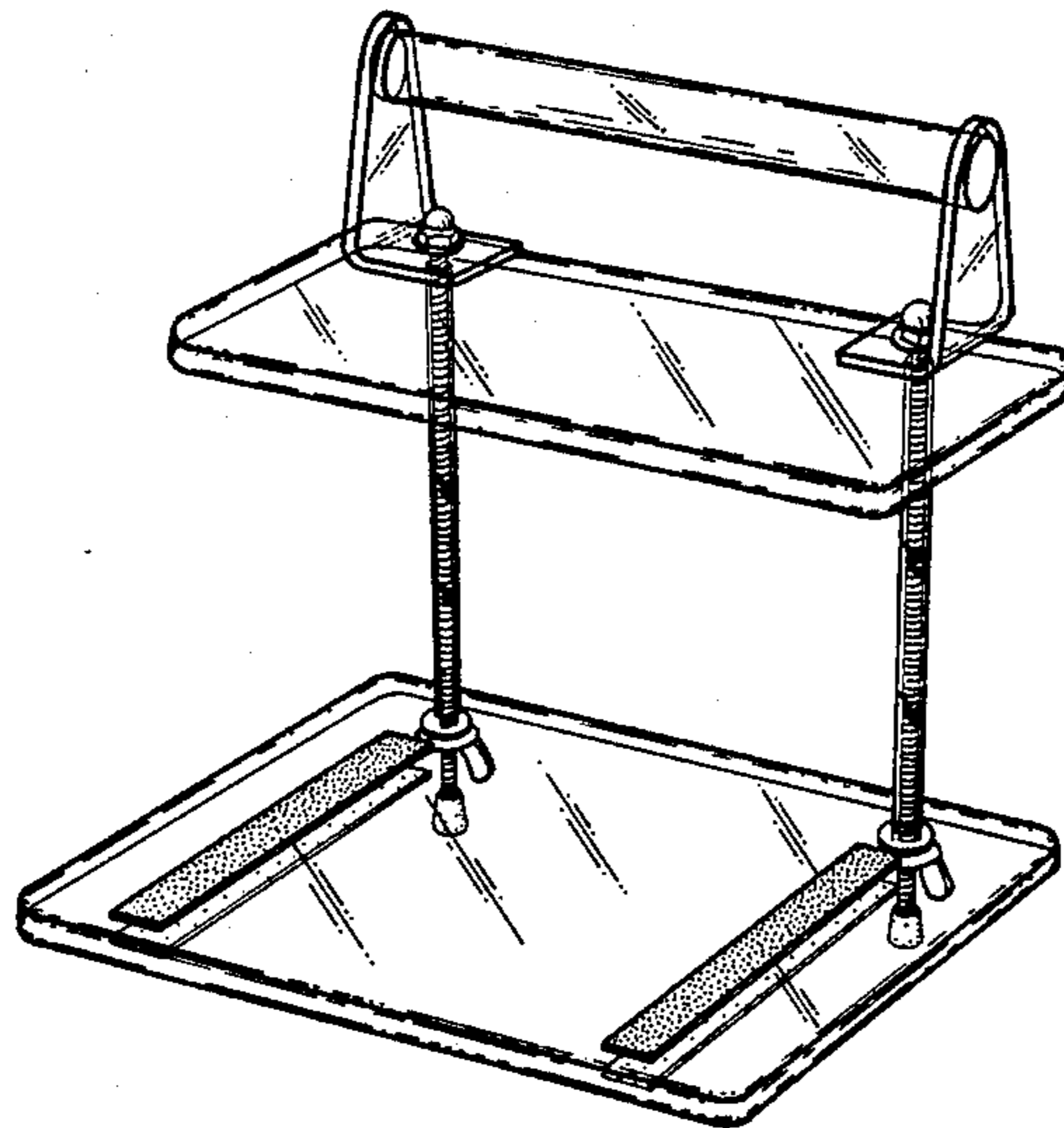


FIG. 1

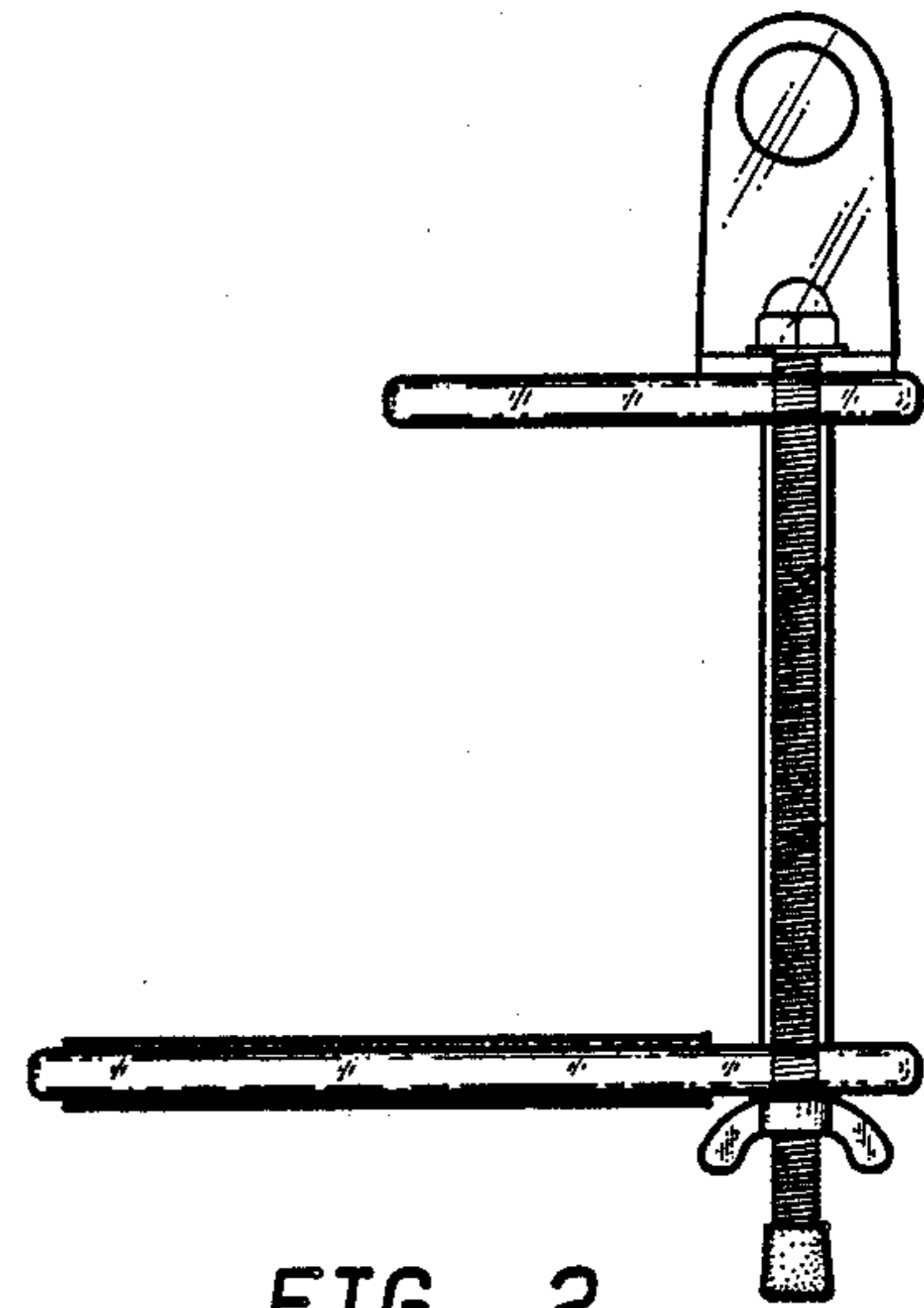


FIG. 2

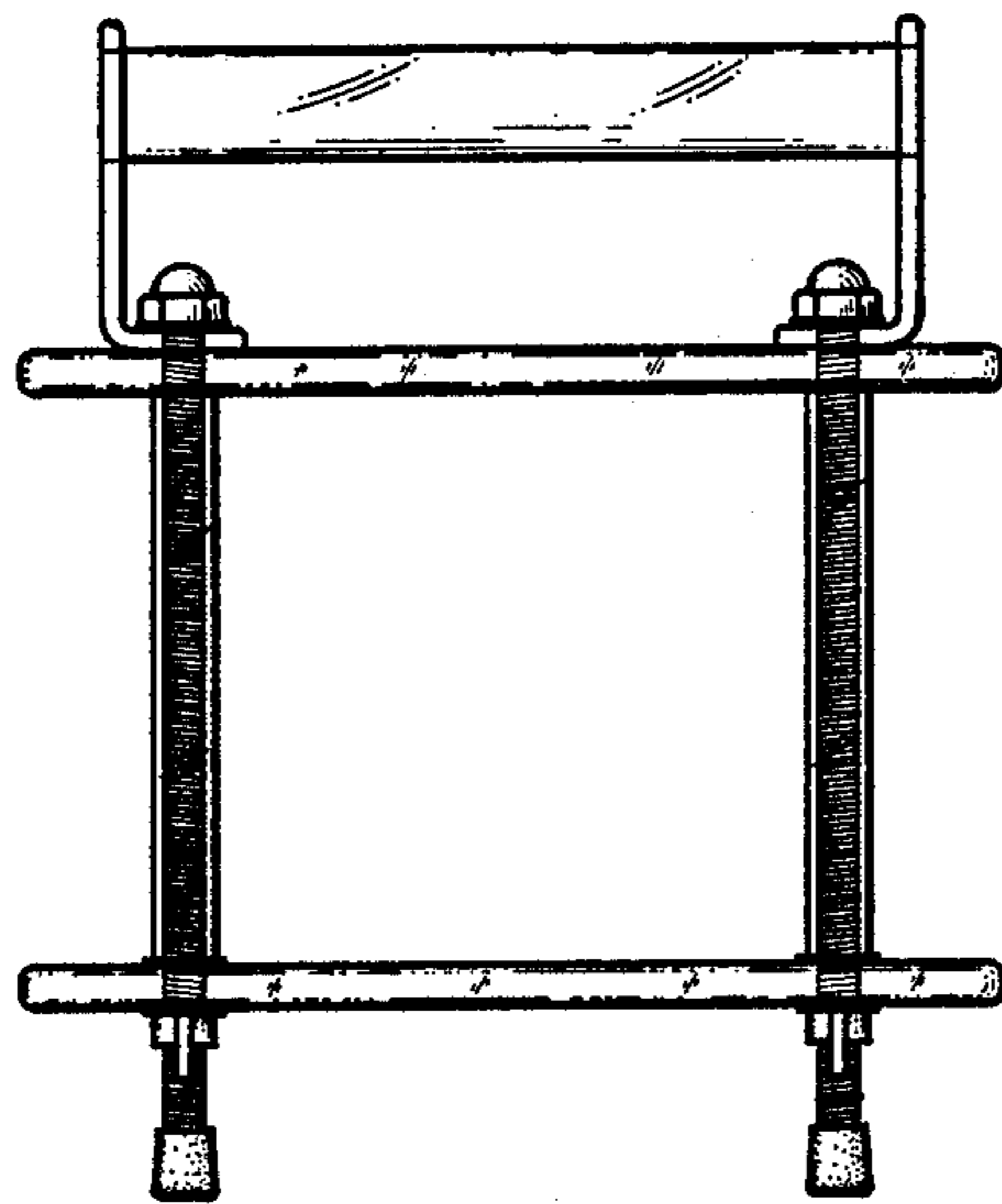


FIG. 3

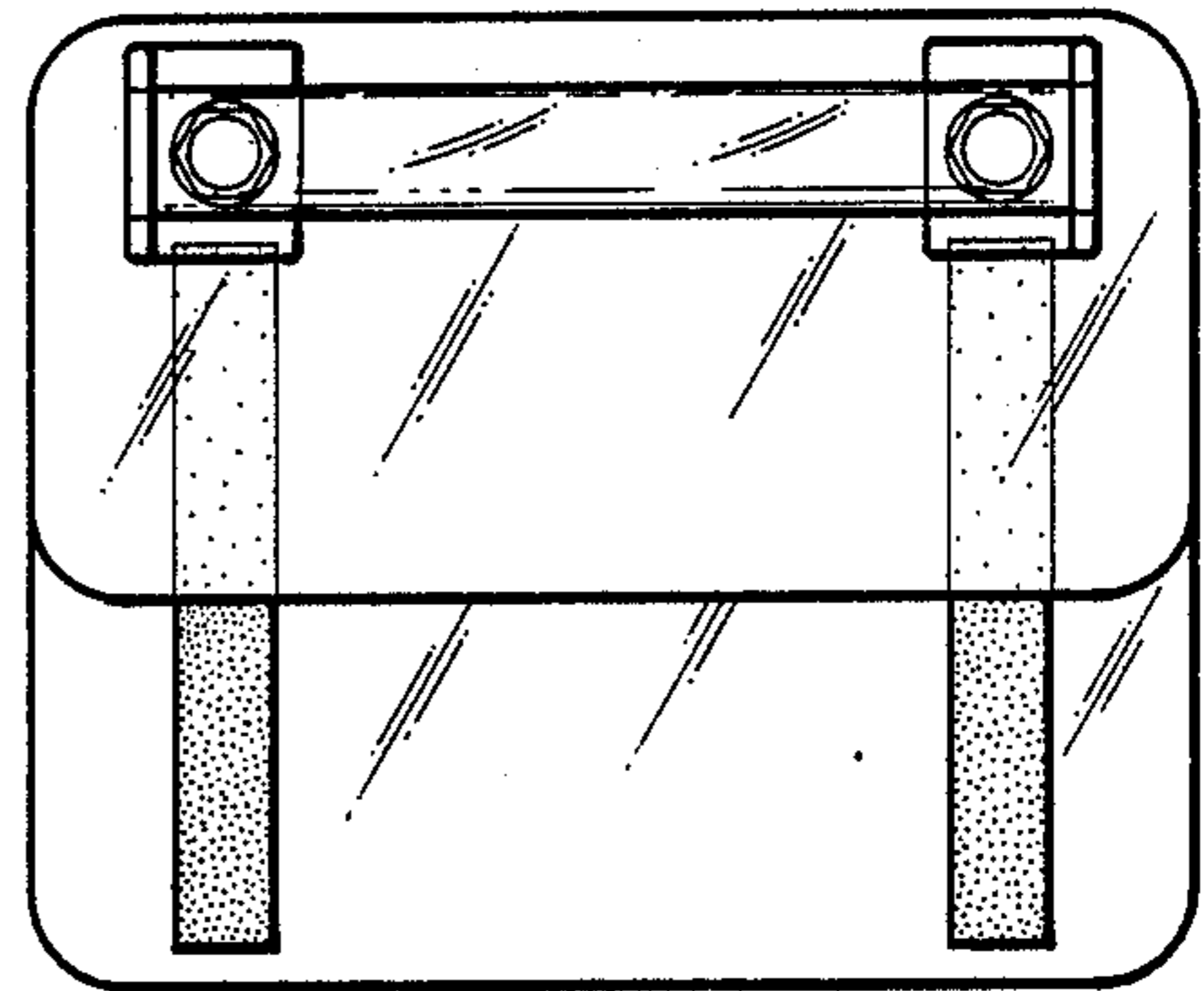


FIG. 4