

[54] CREDENZA

[75] Inventor: Norman J. Diekman, New York, N.Y.

[73] Assignee: Stow & Davis Furniture Company, Mich.

[**] Term: 14 Years

[21] Appl. No.: 867,874

[22] Filed: May 27, 1986

[52] U.S. Cl. D6/441; D6/445

[58] Field of Search D6/432, 445, 444, 441, D6/446-448; 312/204; D8/307, 320

[56] References Cited

U.S. PATENT DOCUMENTS

D. 162,491	3/1951	Sussman	D6/441
D. 243,903	4/1977	Carter	D6/446
D. 252,124	6/1979	Hero et al.	D6/445

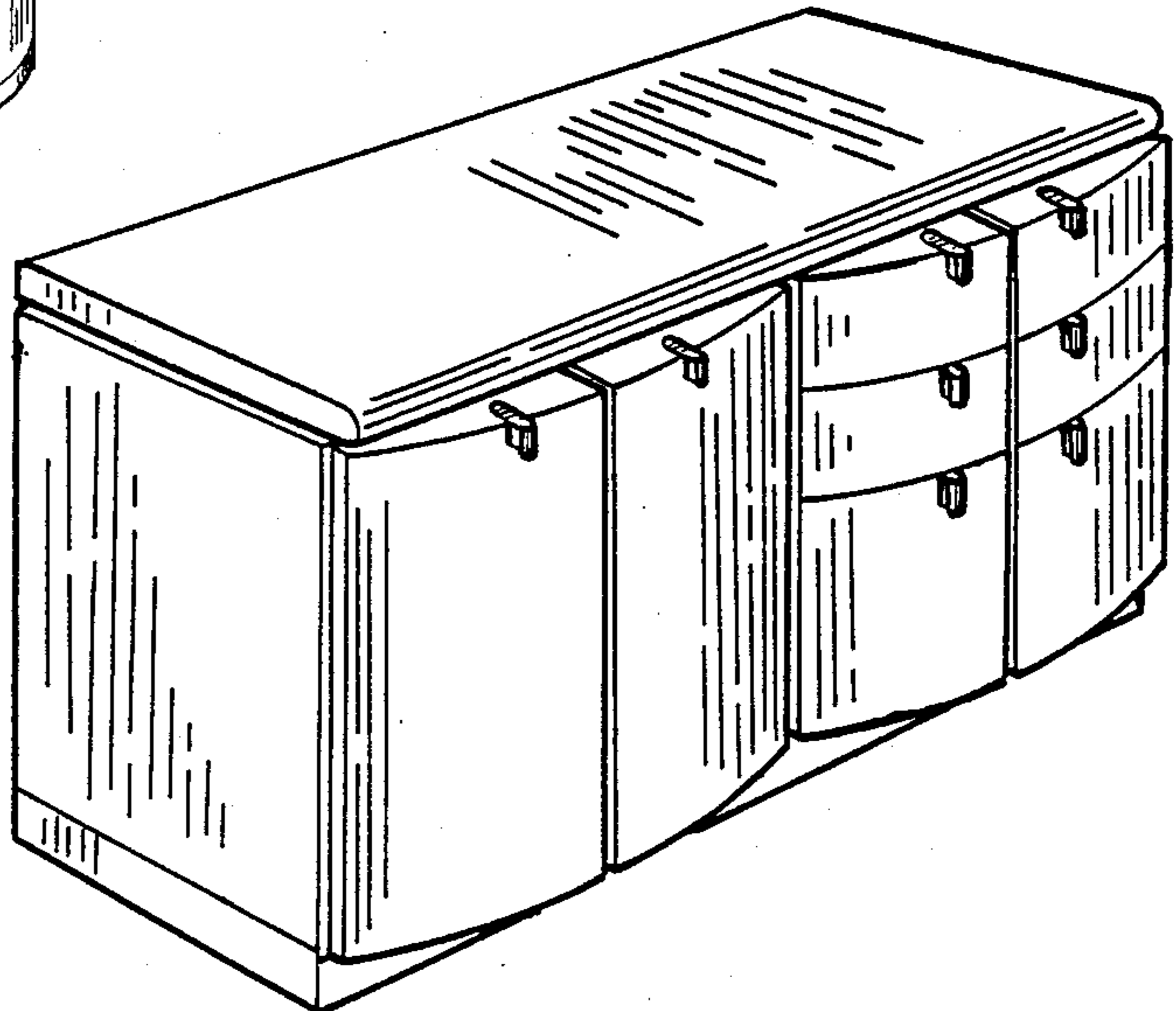
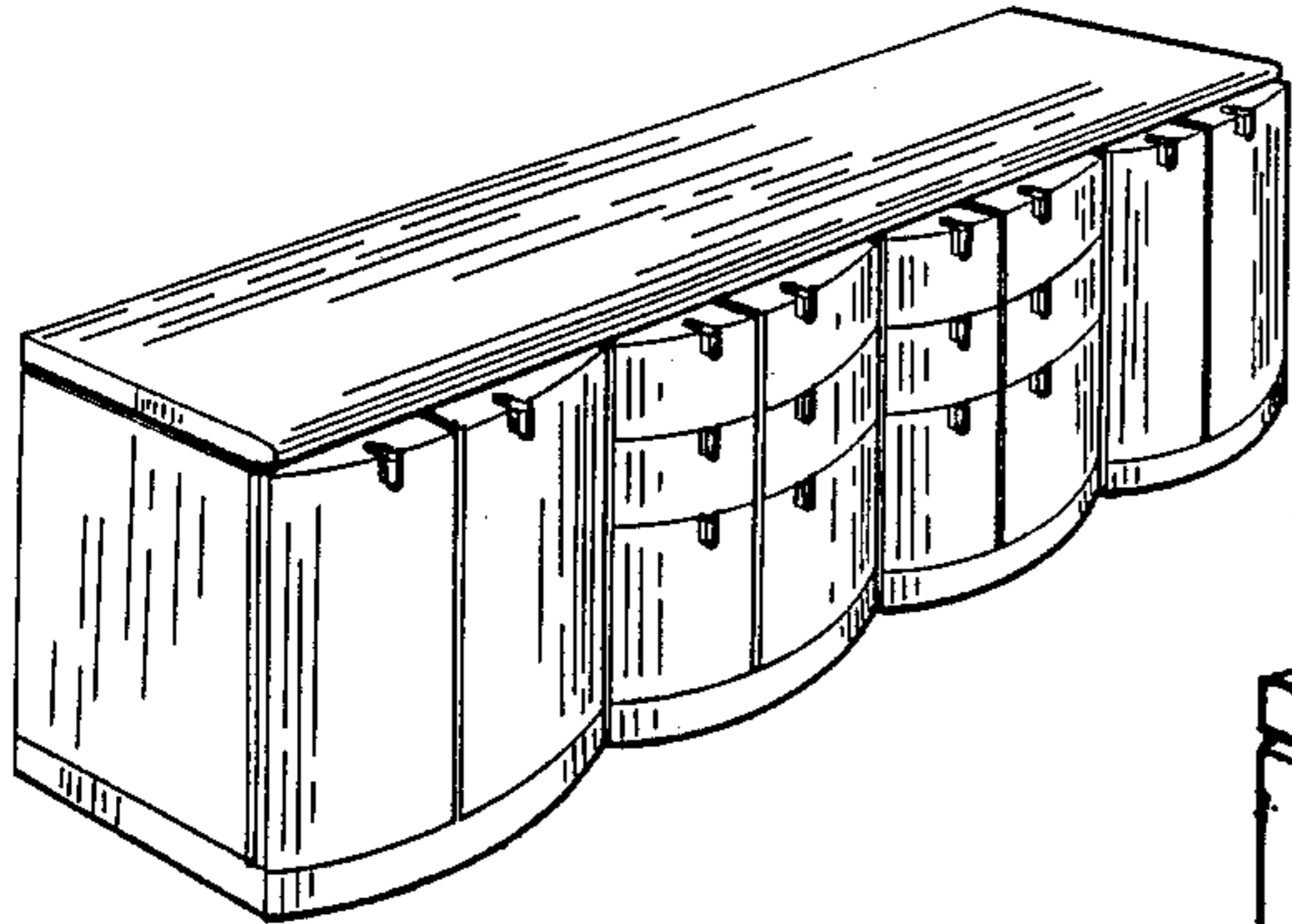
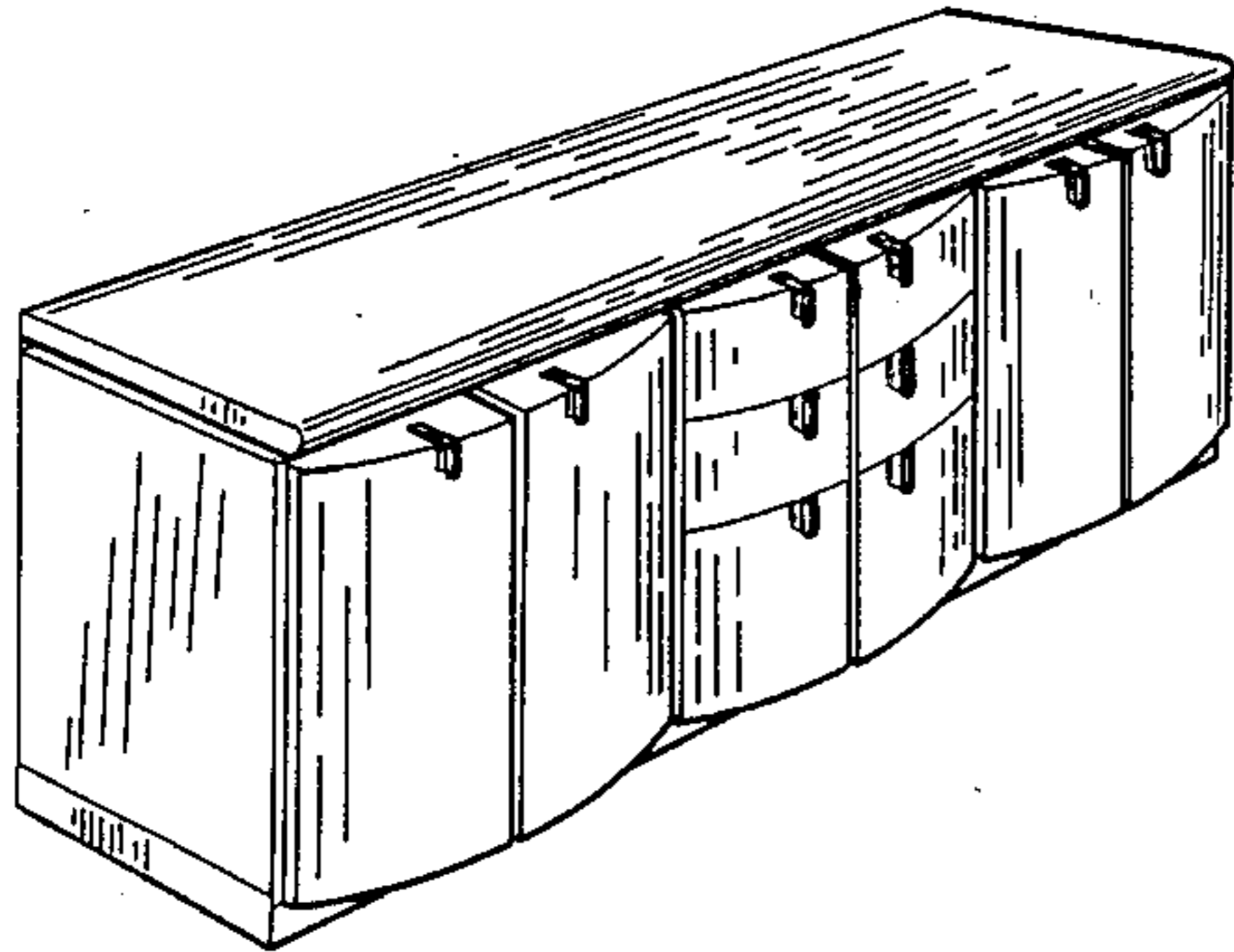
Primary Examiner—Carmen H. Vales-Lado
Attorney, Agent, or Firm—Price, Heneveld, Cooper, DeWitt & Litton

[57] CLAIM

The ornamental design for a credenza, as shown and described.

DESCRIPTION

FIG. 1 is a perspective view of a credenza showing my new design;
 FIG. 2 is a top plan view thereof;
 FIG. 3 is a front elevational view thereof;
 FIG. 4 is a rear elevational view thereof; and
 FIG. 5 is a side elevational view thereof, wherein the opposite side is a mirror image thereof.
 FIG. 6 is a perspective view of a second embodiment of my credenza design.
 FIG. 7 is a perspective view of a third embodiment of my credenza design.
 FIG. 8 is a perspective view of a fourth embodiment of my credenza design.
 FIG. 9 is a perspective view of a fifth embodiment of my credenza design.
 FIG. 10 is a perspective view of a sixth embodiment of my credenza design.
 FIG. 11 is a perspective view of a seventh embodiment of my credenza design.
 FIG. 12 is a perspective view of an eighth embodiment of my credenza design.



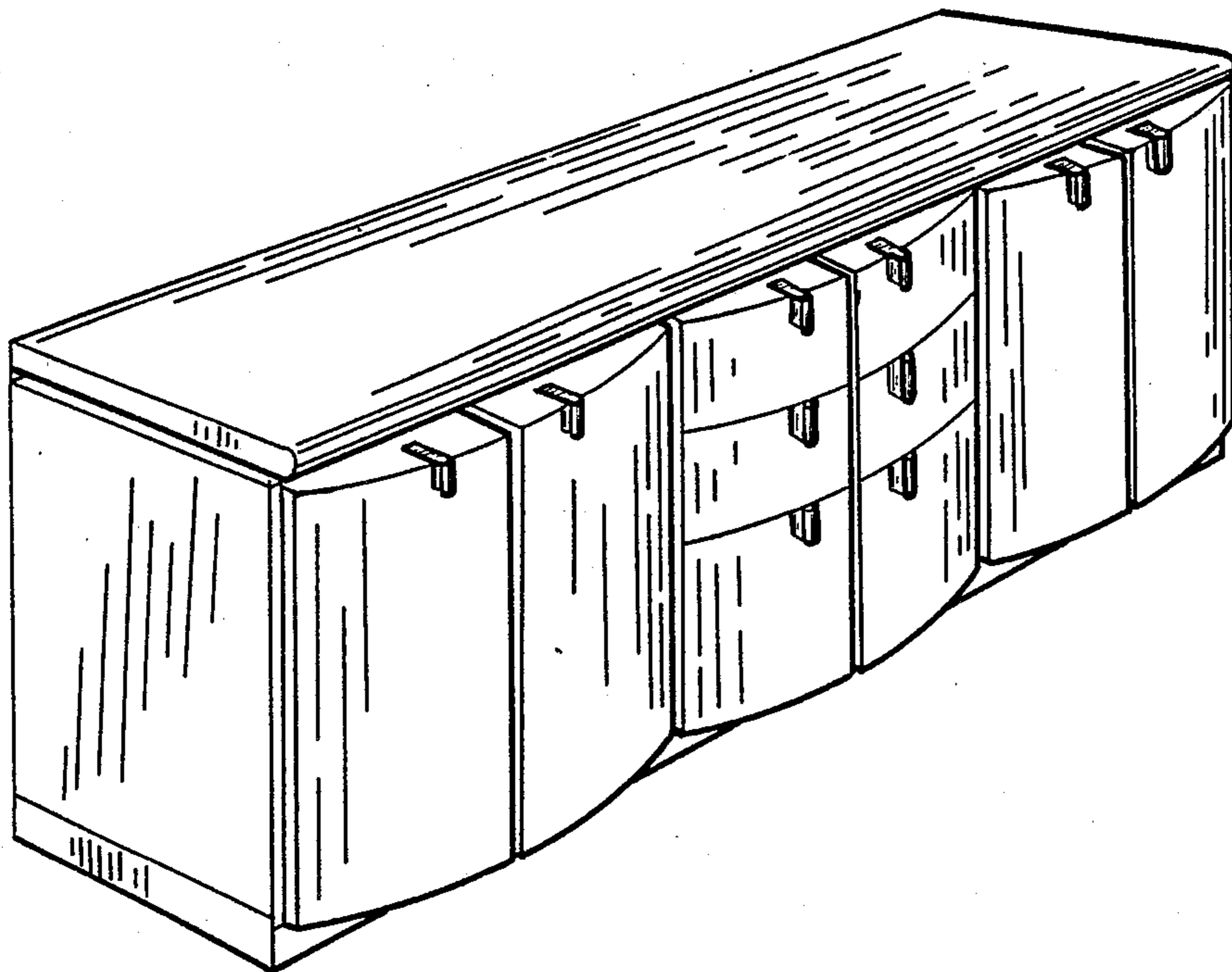


FIG. 1

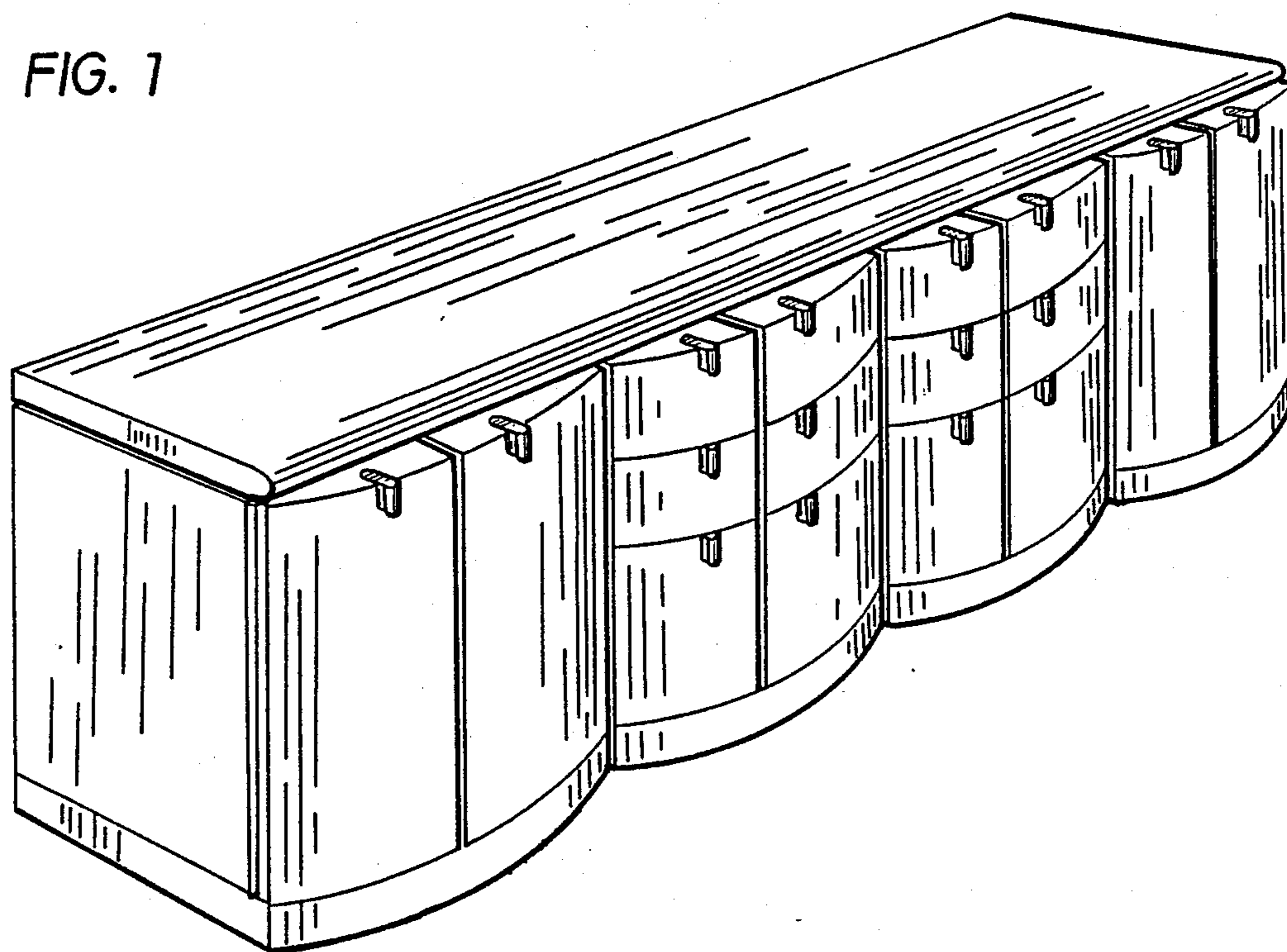


FIG. 12

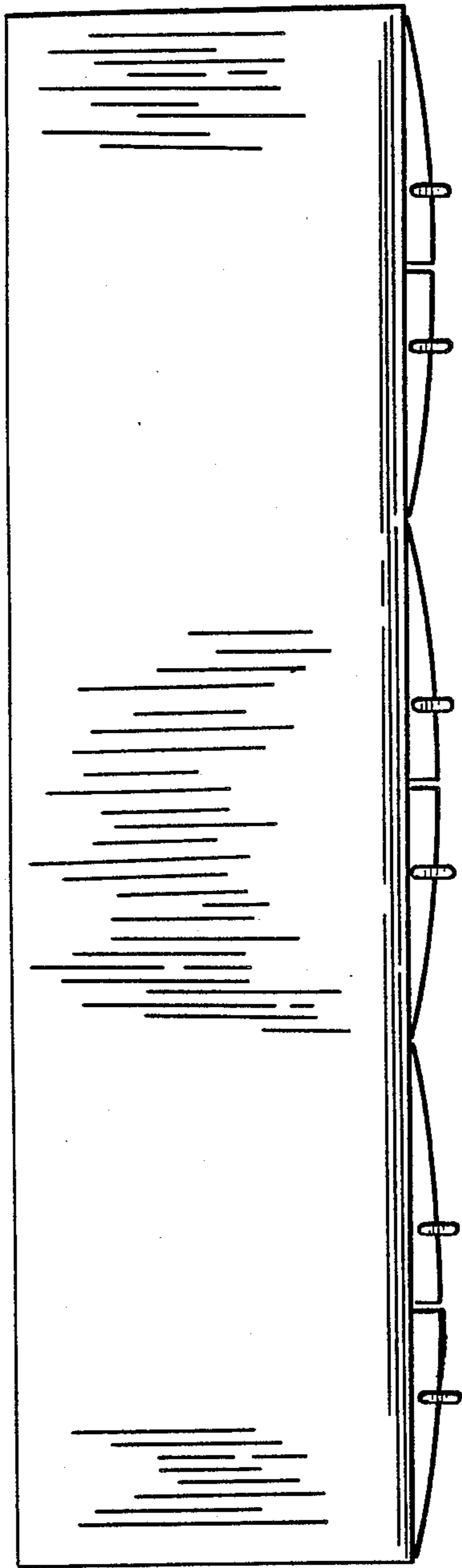


FIG. 2

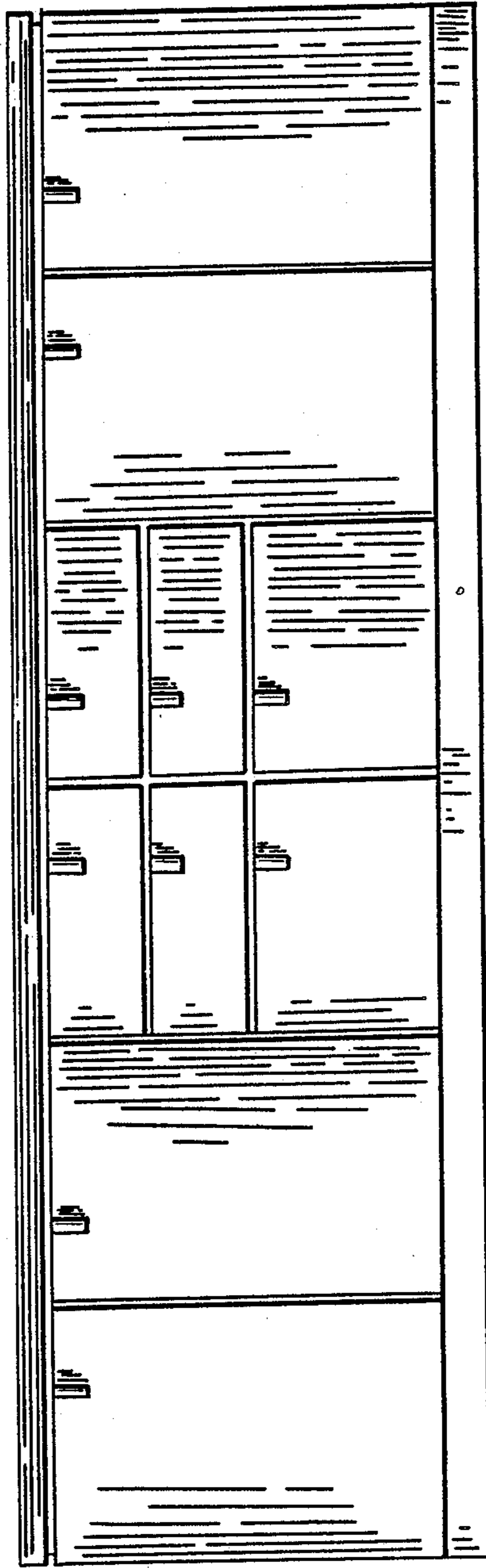


FIG. 3

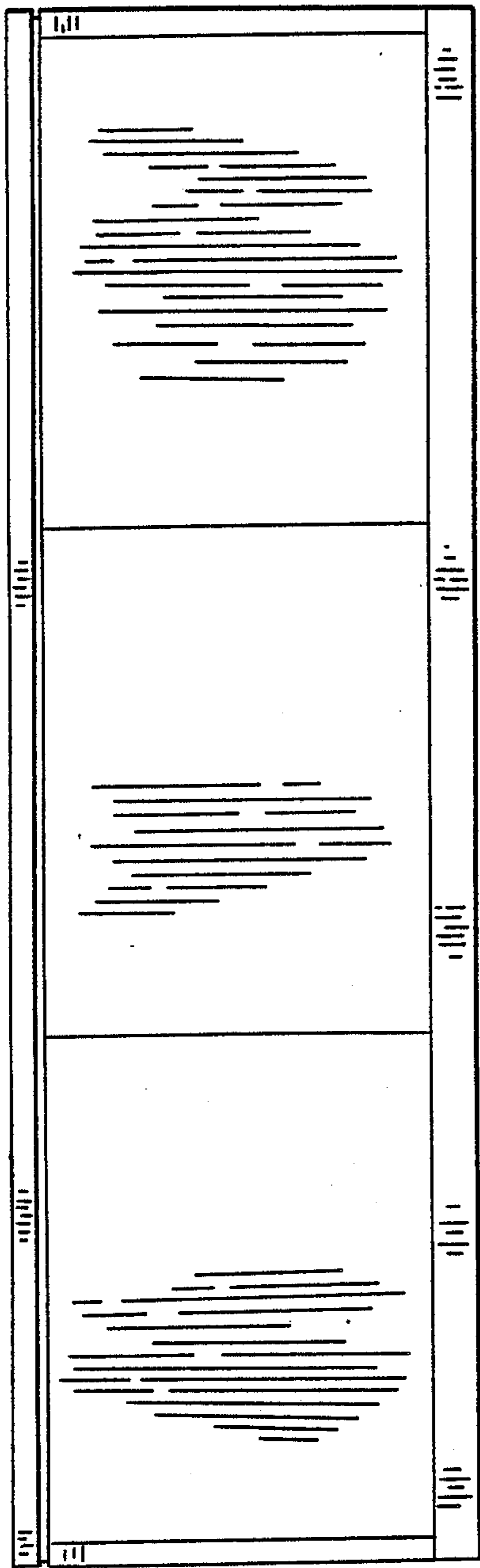


FIG. 4

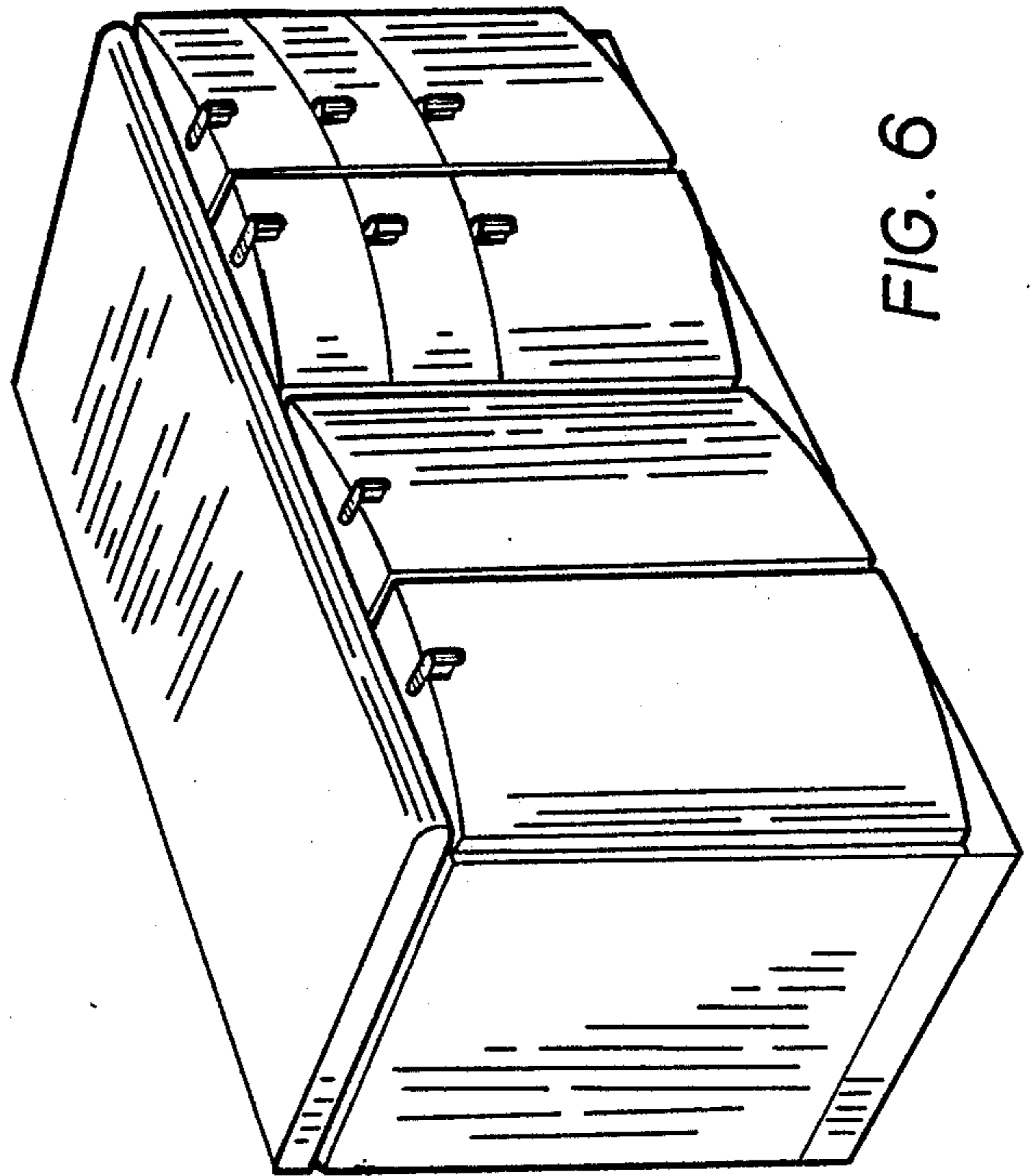


FIG. 6

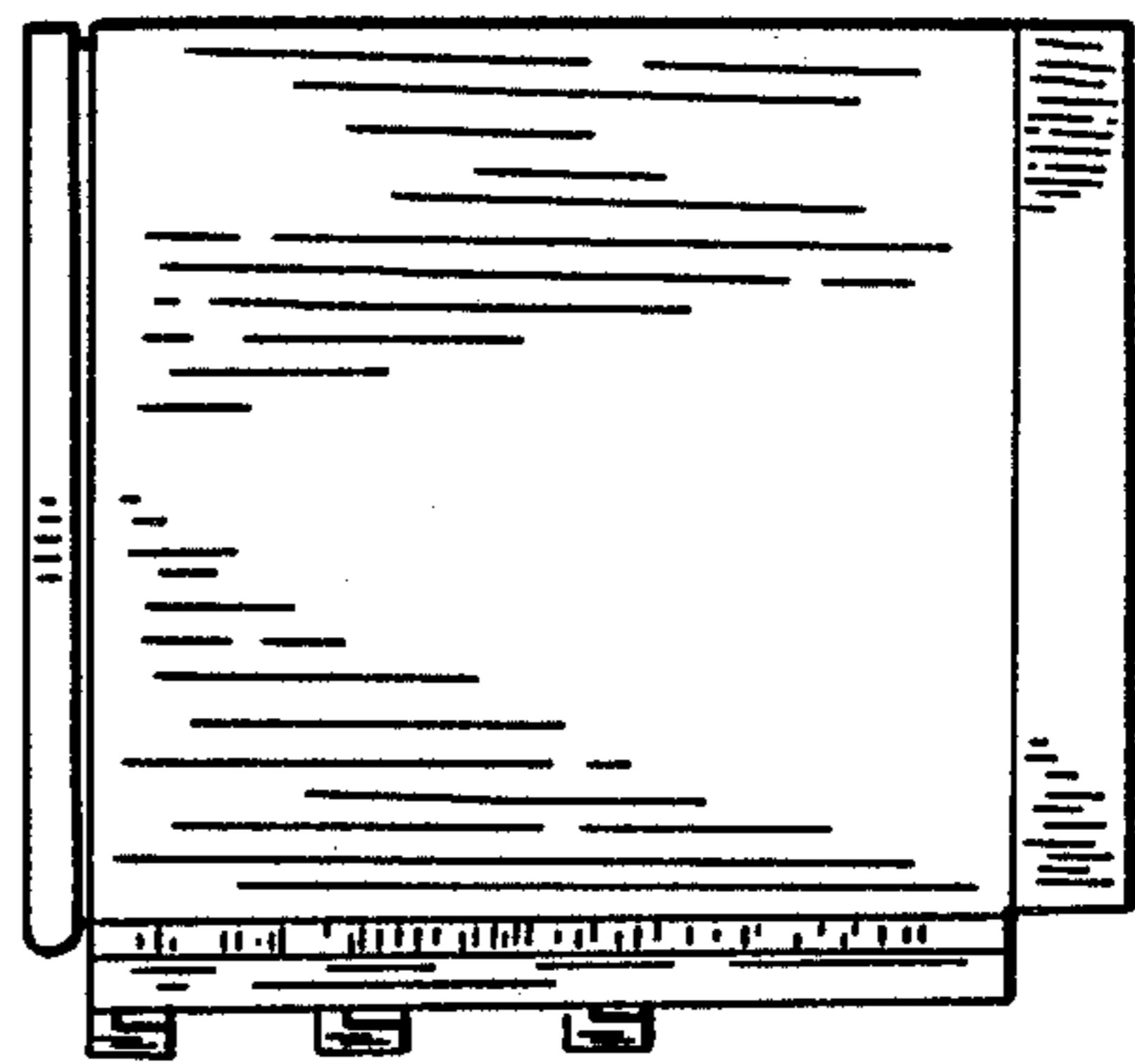


FIG. 5

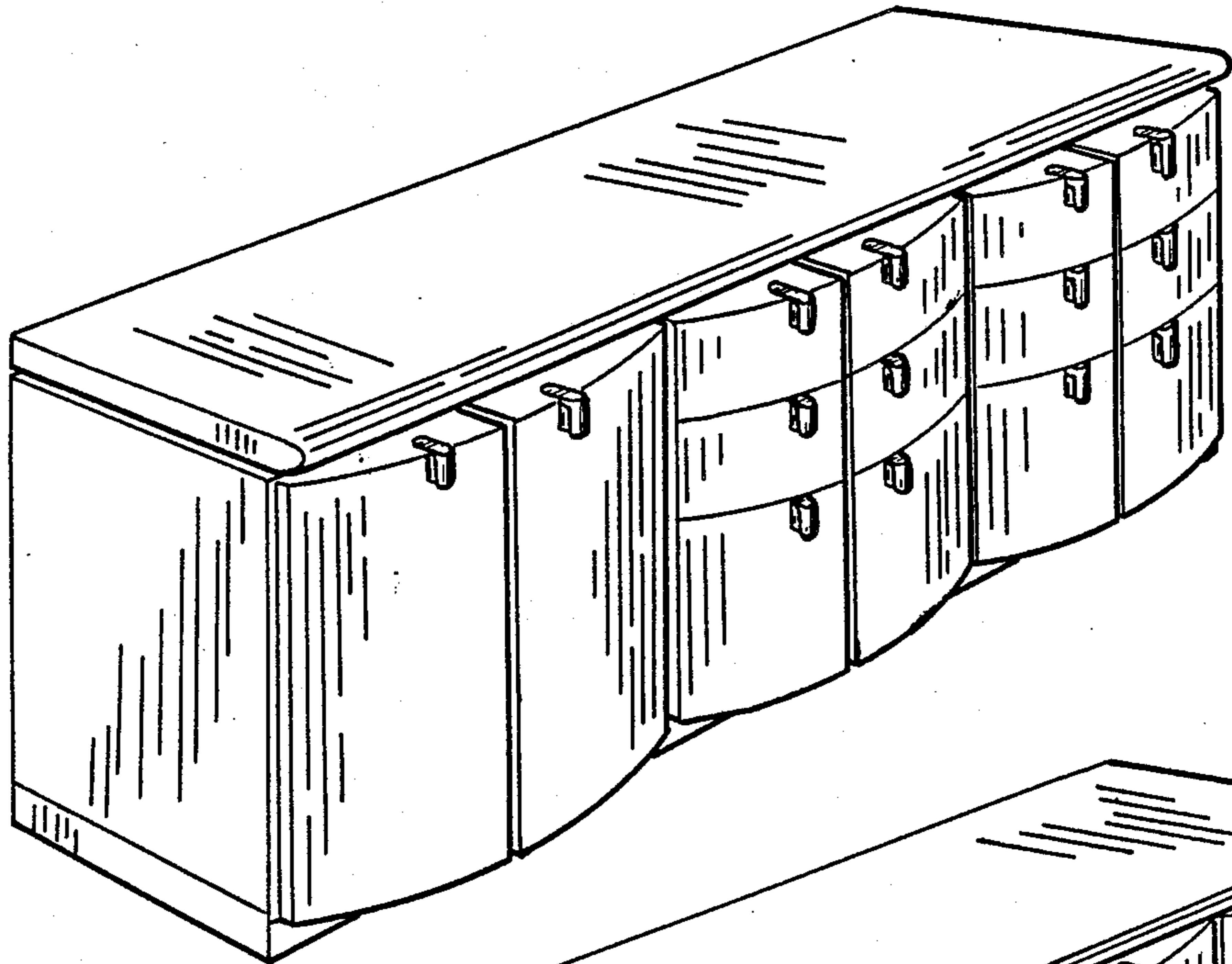


FIG. 7

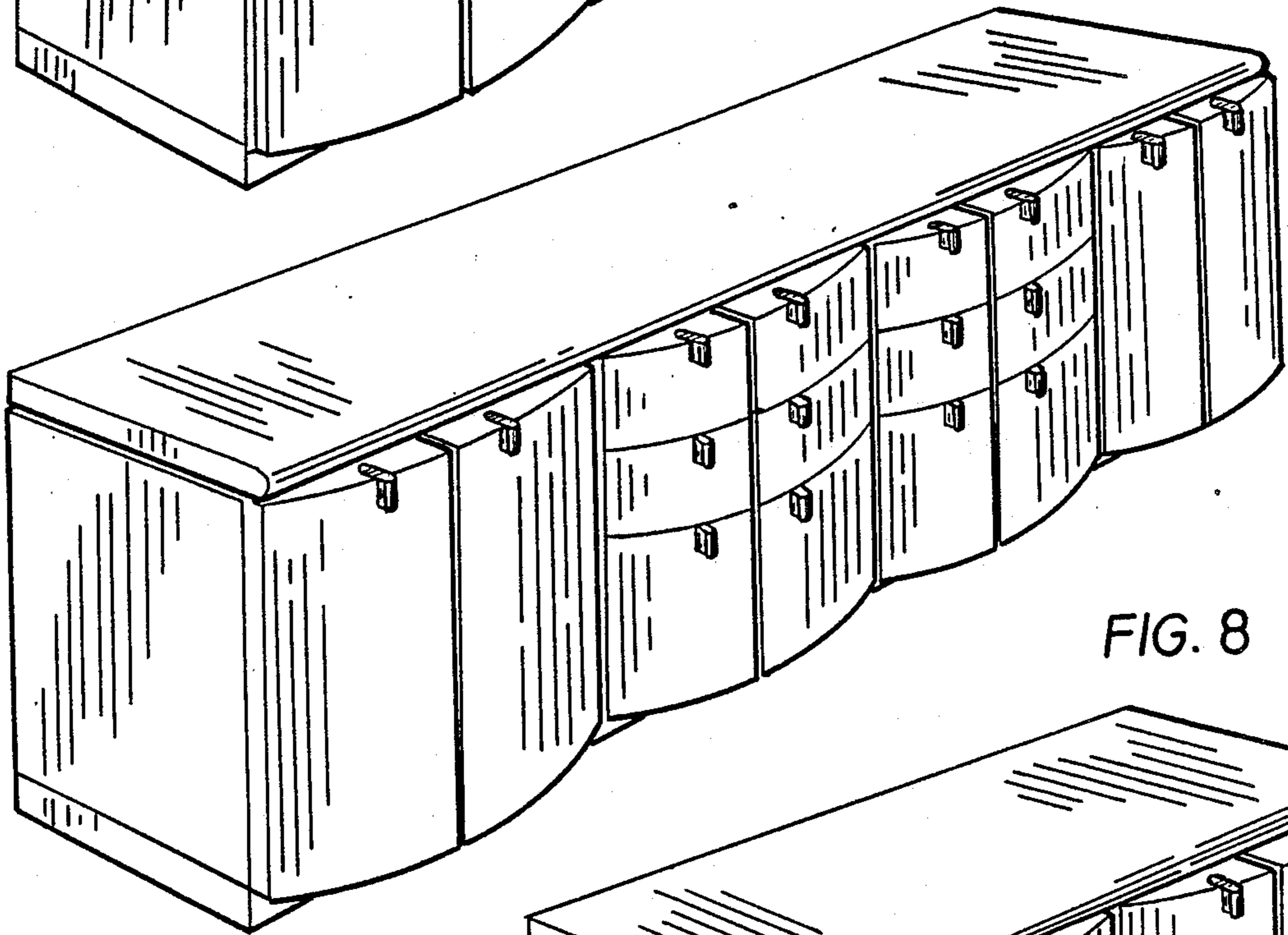


FIG. 8

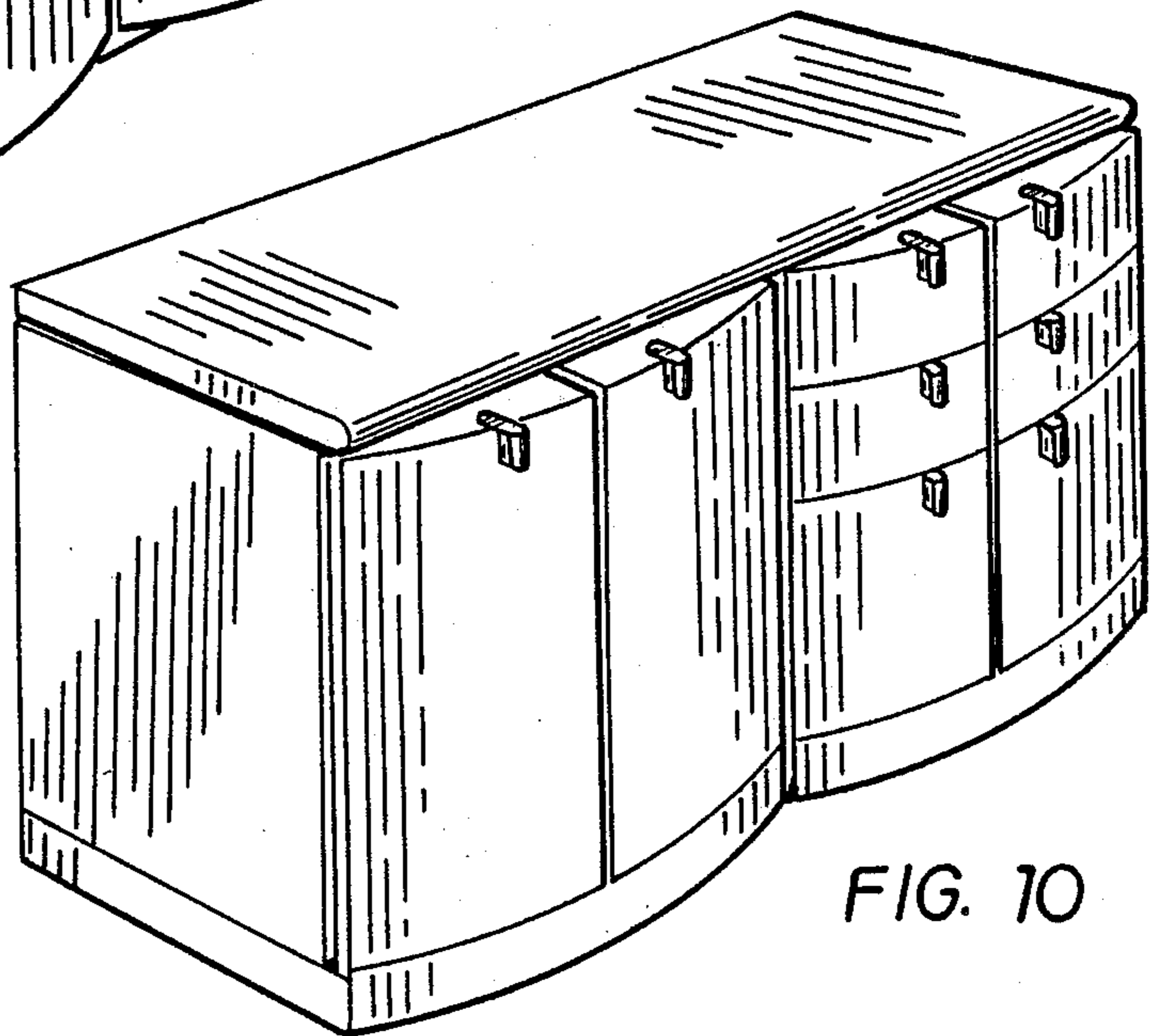


FIG. 10

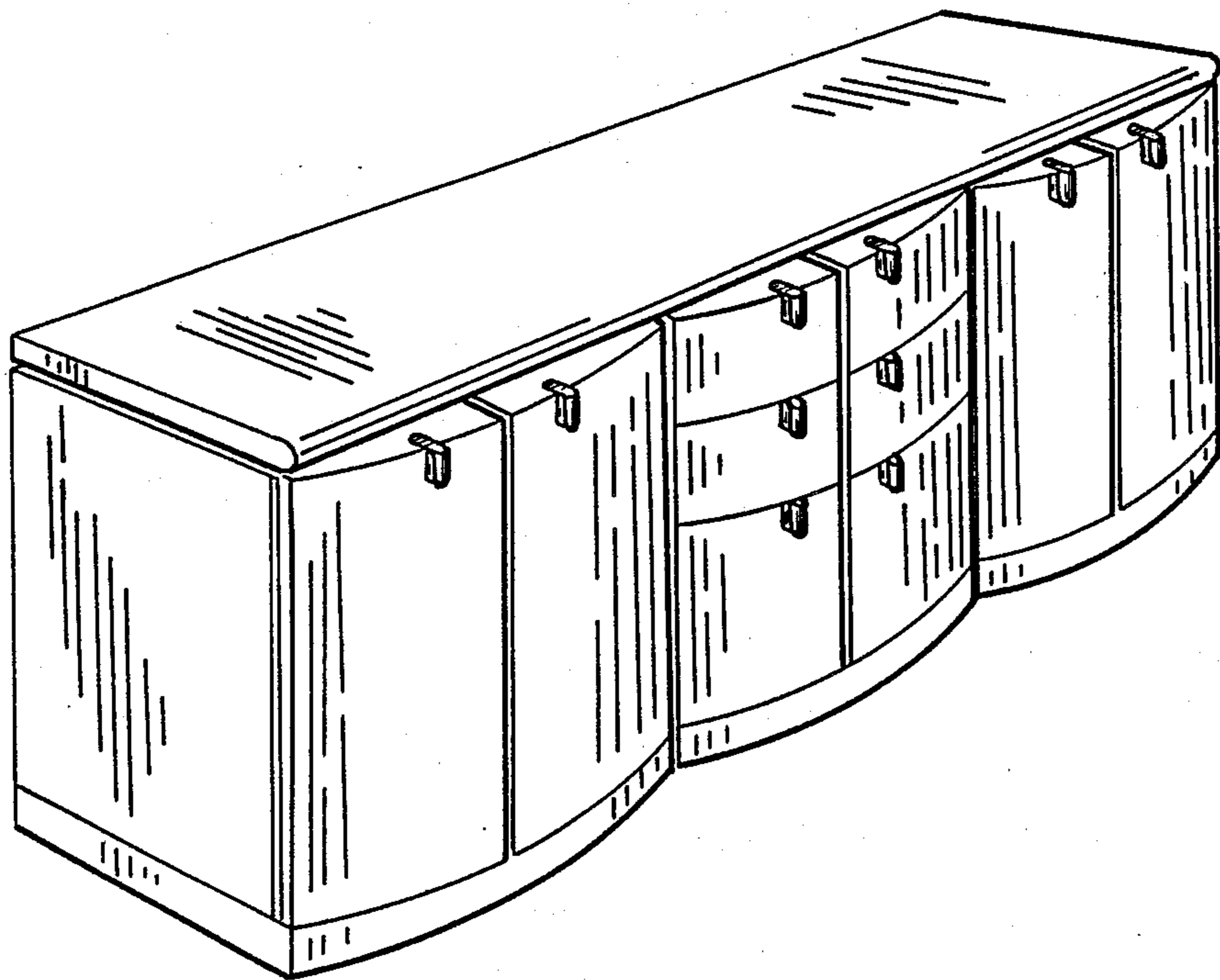


FIG. 9

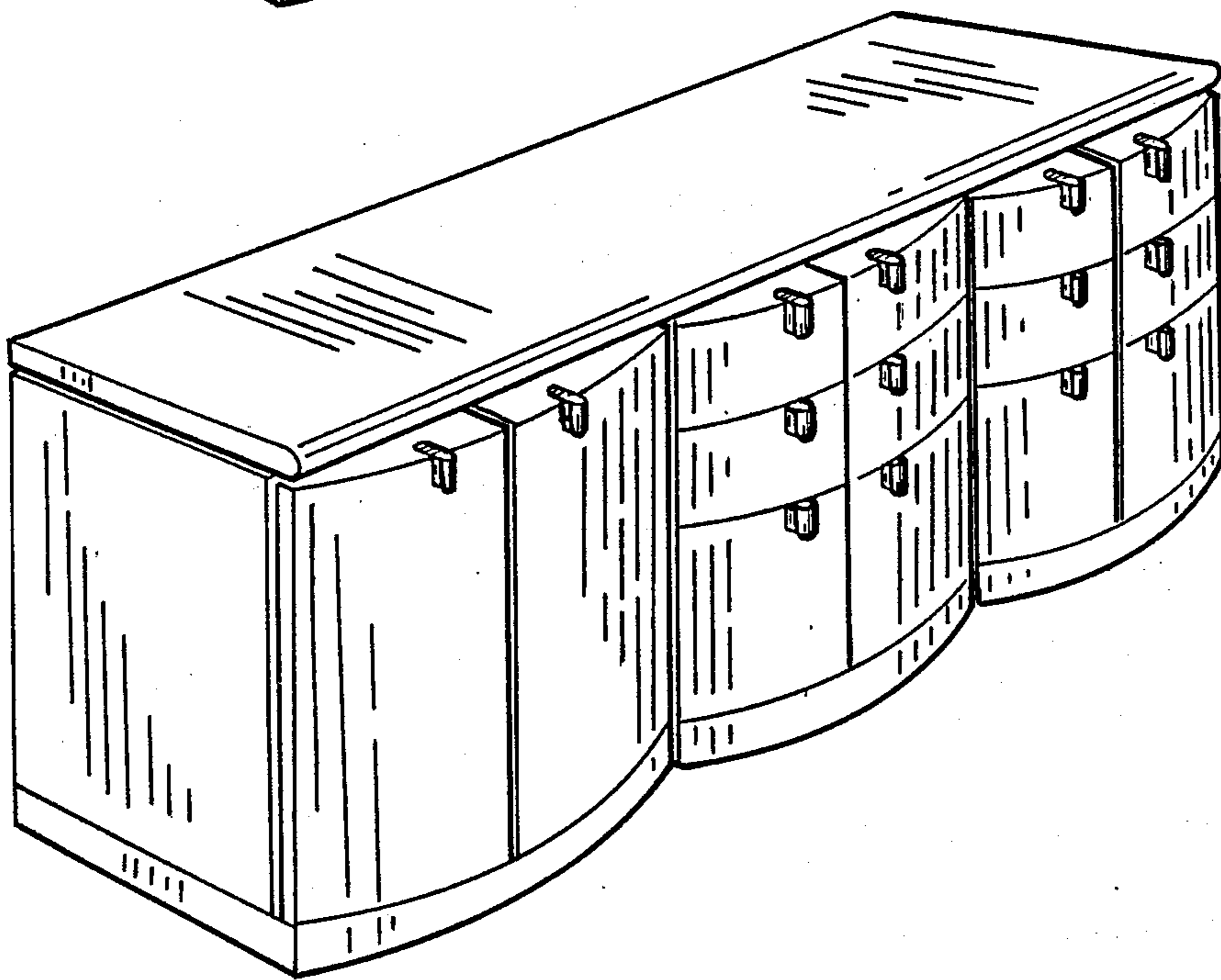


FIG. 11