

# United States Patent [19]

Frinier

[11] Patent Number: **Des. 308,769**

[45] Date of Patent: **\*\* Jun. 26, 1990**

[54] **CHAISE**

[75] Inventor: **Richard Frinier, Long Beach, Calif.**

[73] Assignee: **Brown Jordan Company, El Monte, Calif.**

[\*\*] Term: **14 Years**

[21] Appl. No.: **76,653**

[22] Filed: **Jul. 22, 1987**

[52] U.S. Cl. .... **D6/361**

[58] Field of Search ..... **D6/334, 361**

[56] **References Cited**

**U.S. PATENT DOCUMENTS**

- D. 281,744 12/1985 Murry ..... D6/361  
D. 285,628 9/1986 Zola ..... D6/361

- D. 285,753 9/1986 Zola ..... D6/379  
D. 296,618 7/1988 Colby ..... D6/361

*Primary Examiner*—Bruce W. Dunkins

*Assistant Examiner*—Ann Hunt

*Attorney, Agent, or Firm*—Christie, Parker & Hale

[57] **CLAIM**

The ornamental design for a chaise, as shown and described.

**DESCRIPTION**

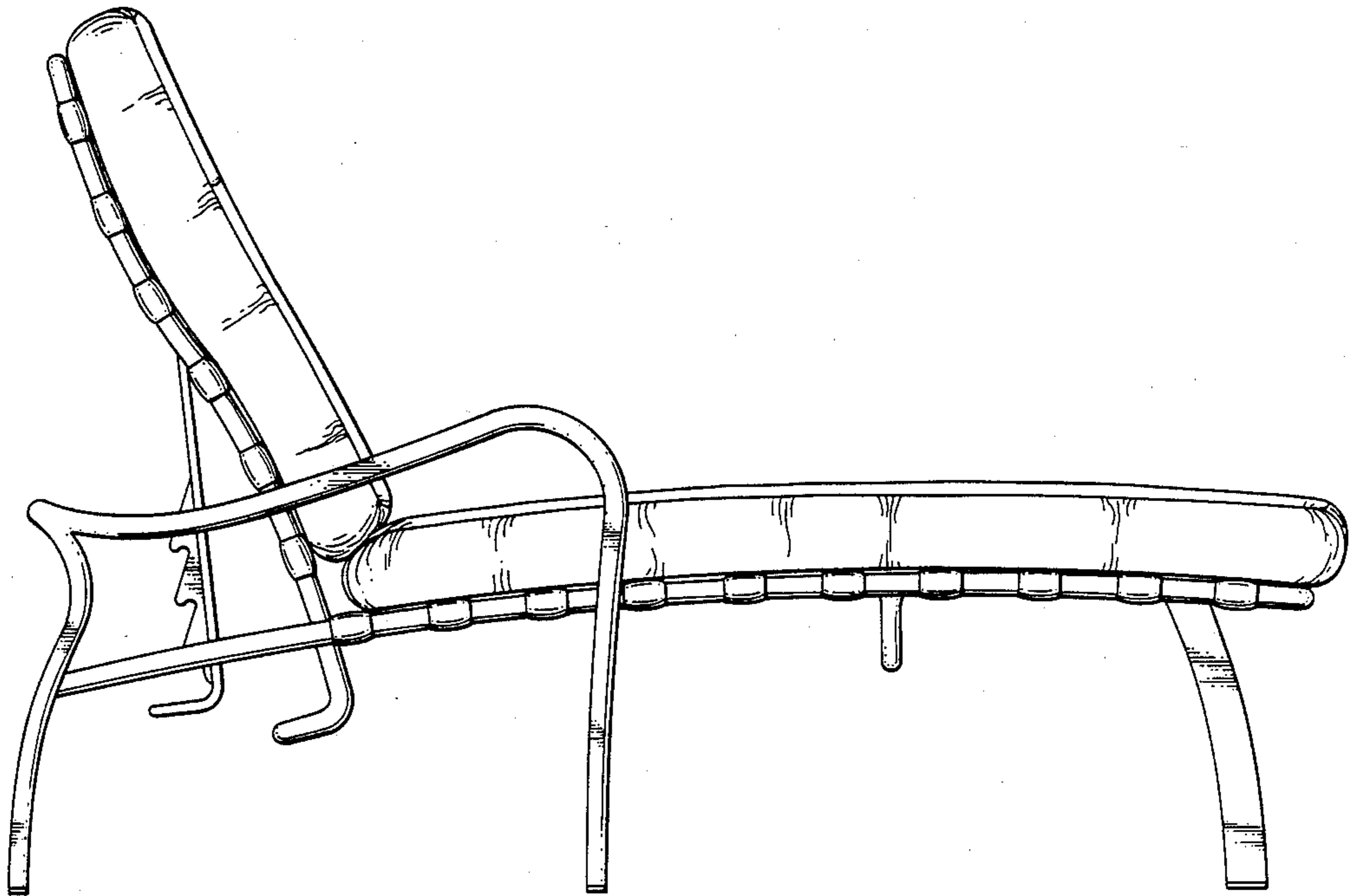
FIG. 1 is a front perspective view of the chaise showing my new design;

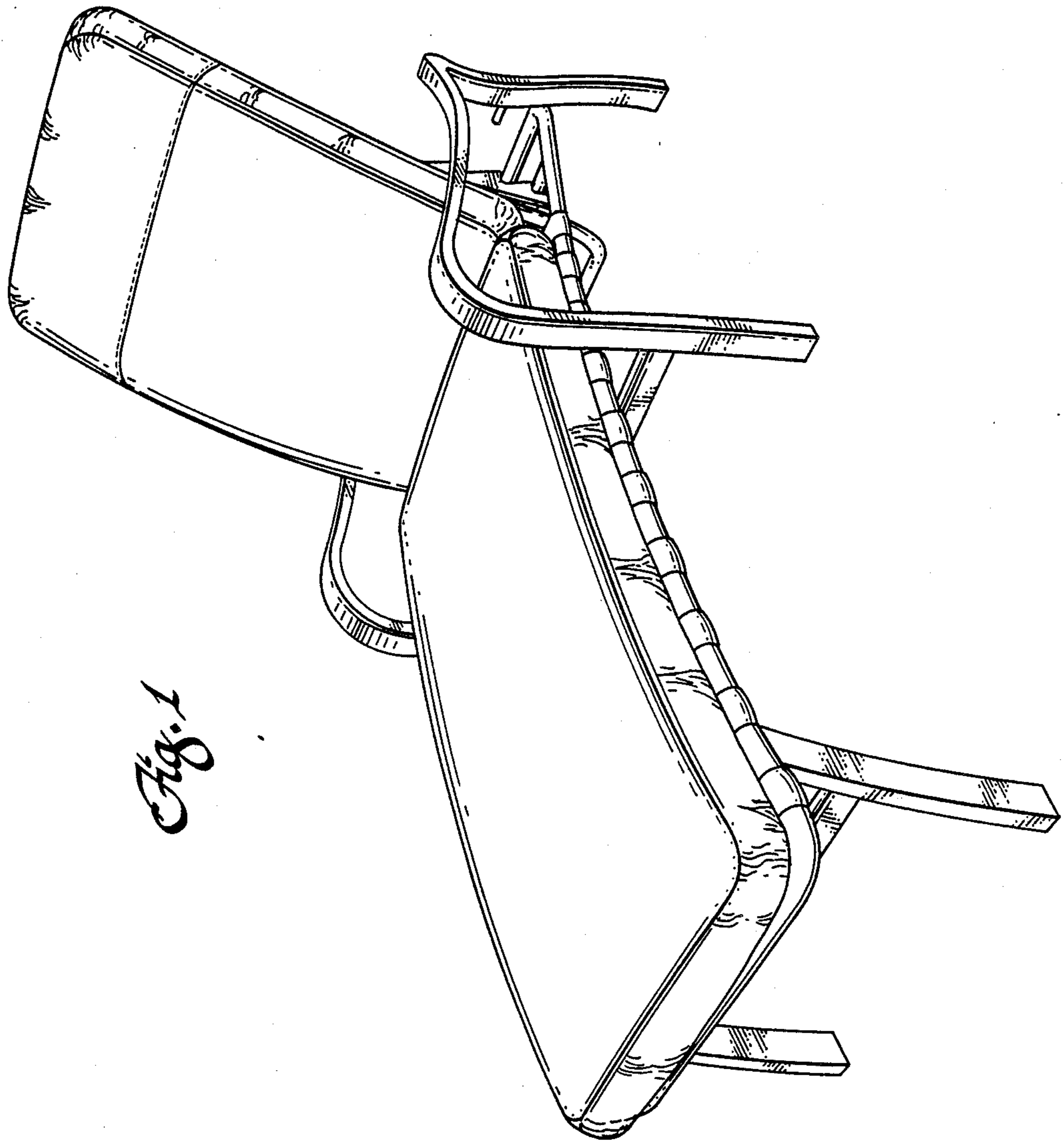
FIG. 2 is a side elevational view, the opposite side view being a mirror image thereof;

FIG. 3 is a top plan view;

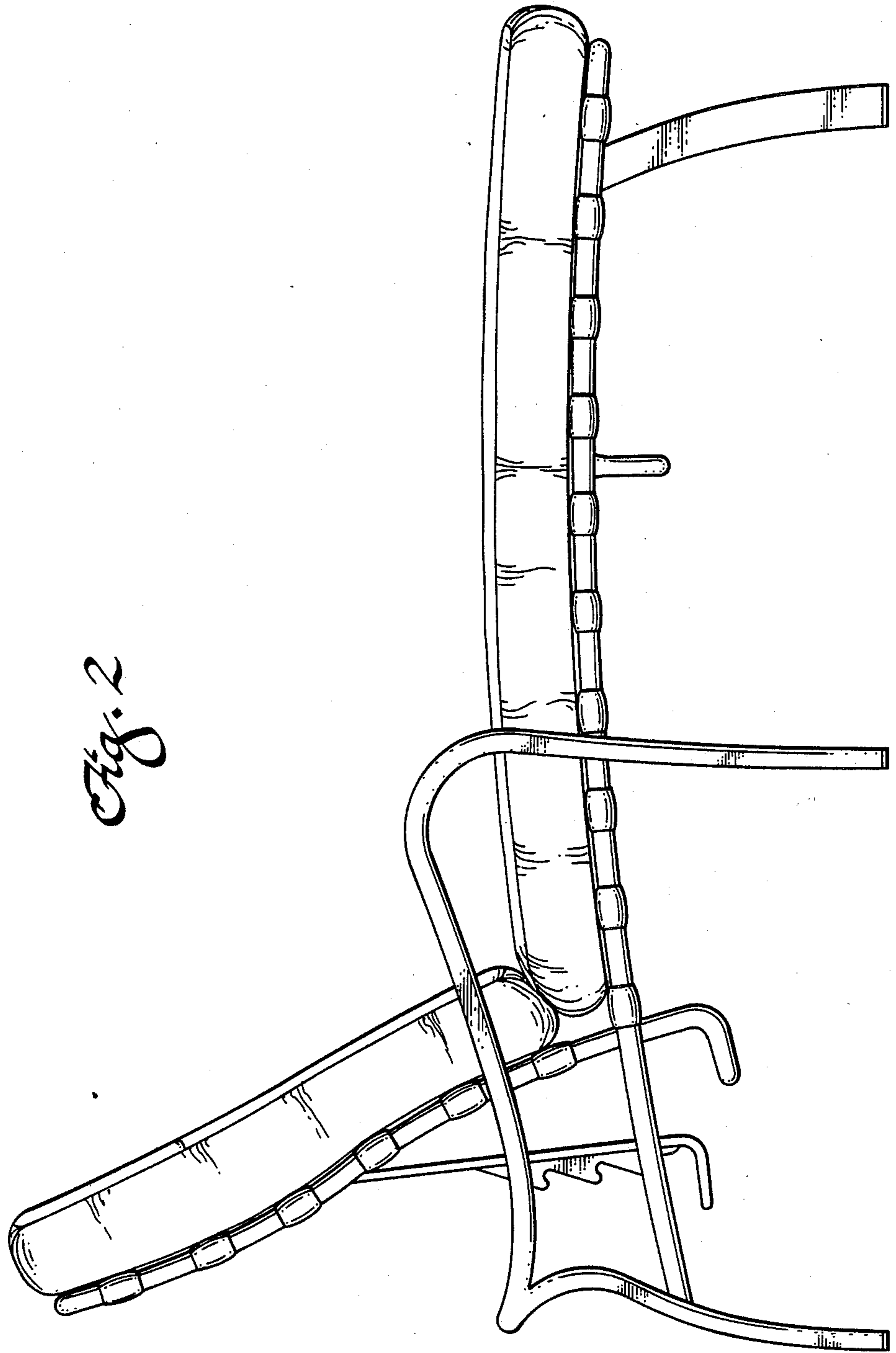
FIG. 4 is a front elevational view; and

FIG. 5 is a rear elevational view thereof.



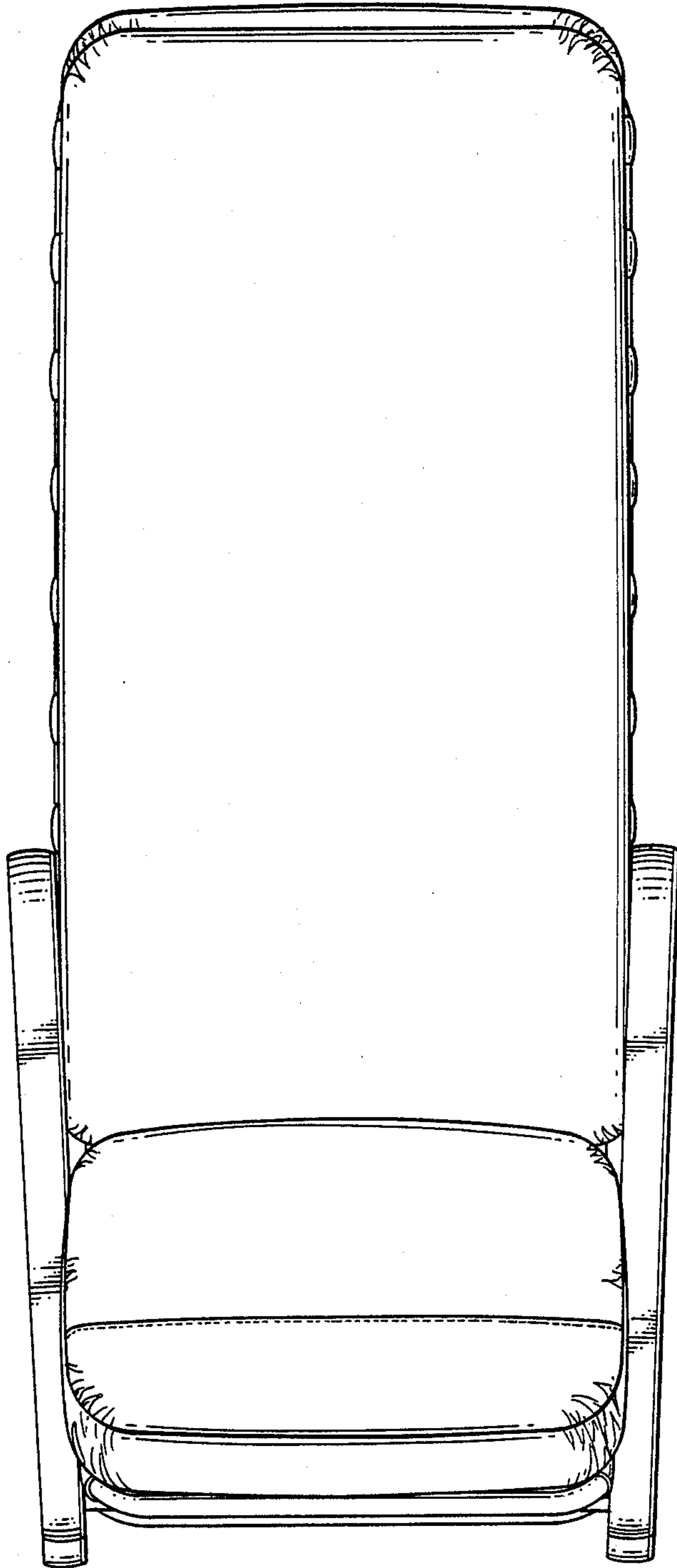


*Fig. 1*

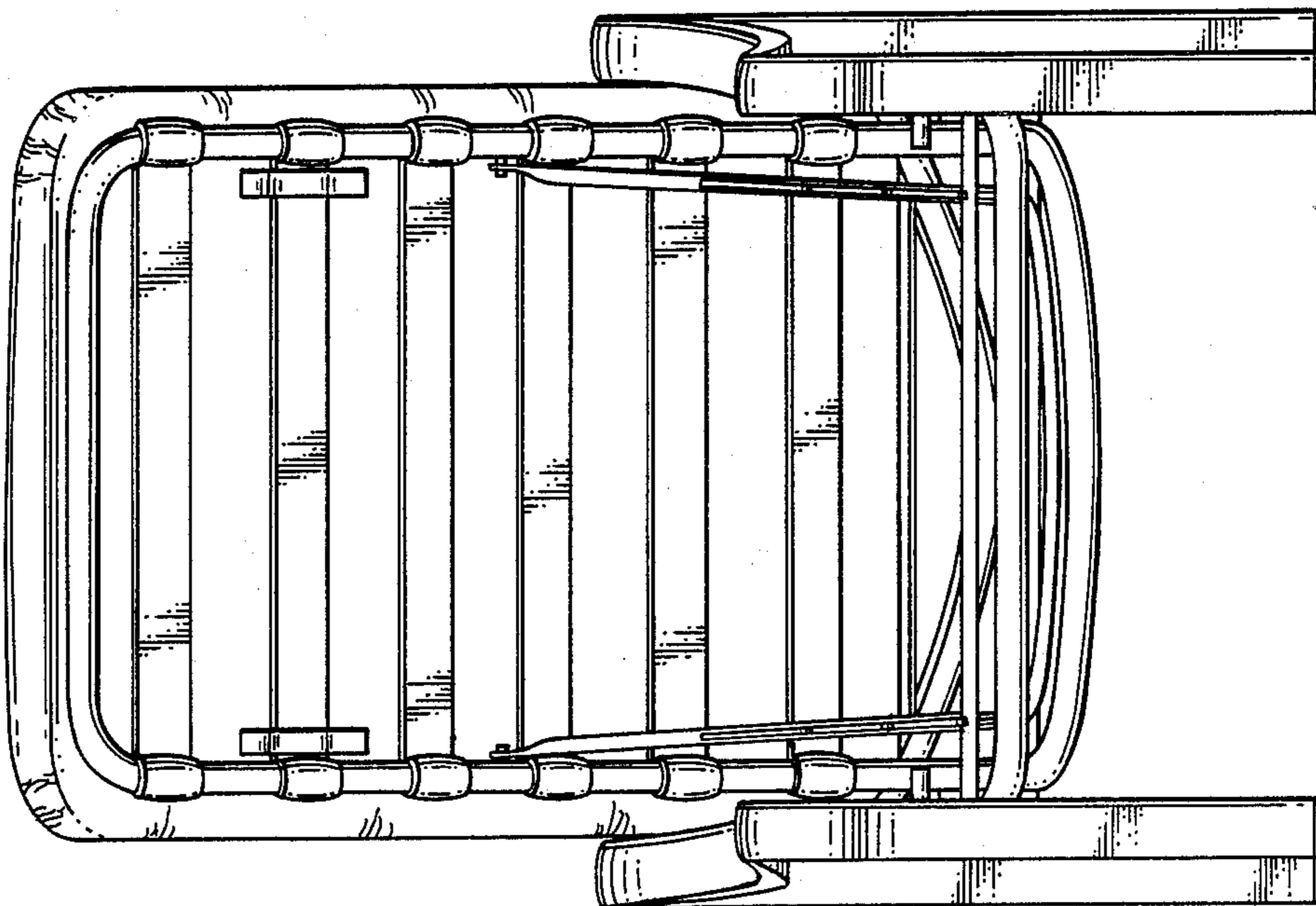


*Fig. 2*

*Fig. 3*



*Fig. 5*



*Fig. 4*

