

[54] COMBINED KEY RING AND ATTACHMENT MEANS

[76] Inventors: Jerome C. Barnes, 5904 Brecksville Rd., Independence, Ohio 44131; Patricia A. Sotz, 6403 Kingsdale Blvd., Parma Heights, Ohio 44130

[\*\*] Term: 14 Years

[21] Appl. No.: 240,848

[22] Filed: Sep. 6, 1988

[52] U.S. Cl. .... D3/103

[58] Field of Search ..... D3/61-65, D3/103; 70/456 R, 459

[56] References Cited

U.S. PATENT DOCUMENTS

- D. 116,812 7/1939 Bissell ..... D3/61
- D. 297,771 9/1988 Thomas ..... D3/62

D. 298,781 12/1988 Thomas ..... D3/103

Primary Examiner—Louis S. Zarfes  
Assistant Examiner—R. T. Seifert  
Attorney, Agent, or Firm—Rogers & Killeen

[57] CLAIM

The ornamental design for the combined key ring and attachment means, as shown.

DESCRIPTION

FIG. 1 is a perspective view of a combined key ring and attachment means;  
FIG. 2 is a front elevational view;  
FIG. 3 is a rear elevational view;  
FIG. 4 is a right side elevational, the opposite side being a mirror image;  
FIG. 5 is a front elevational view thereof, shown in a detached position; and  
FIG. 6 is a rear elevational view thereof, shown in a detached position.

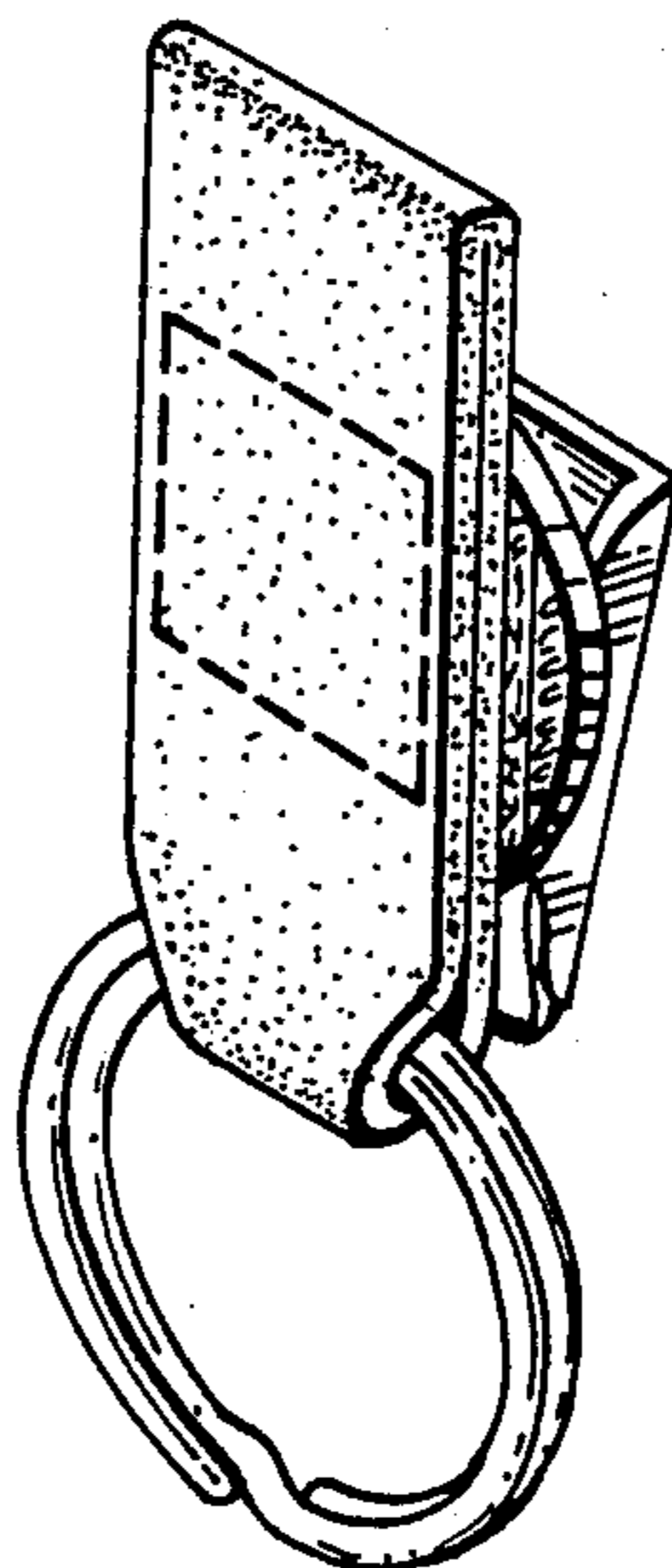


FIG. 1

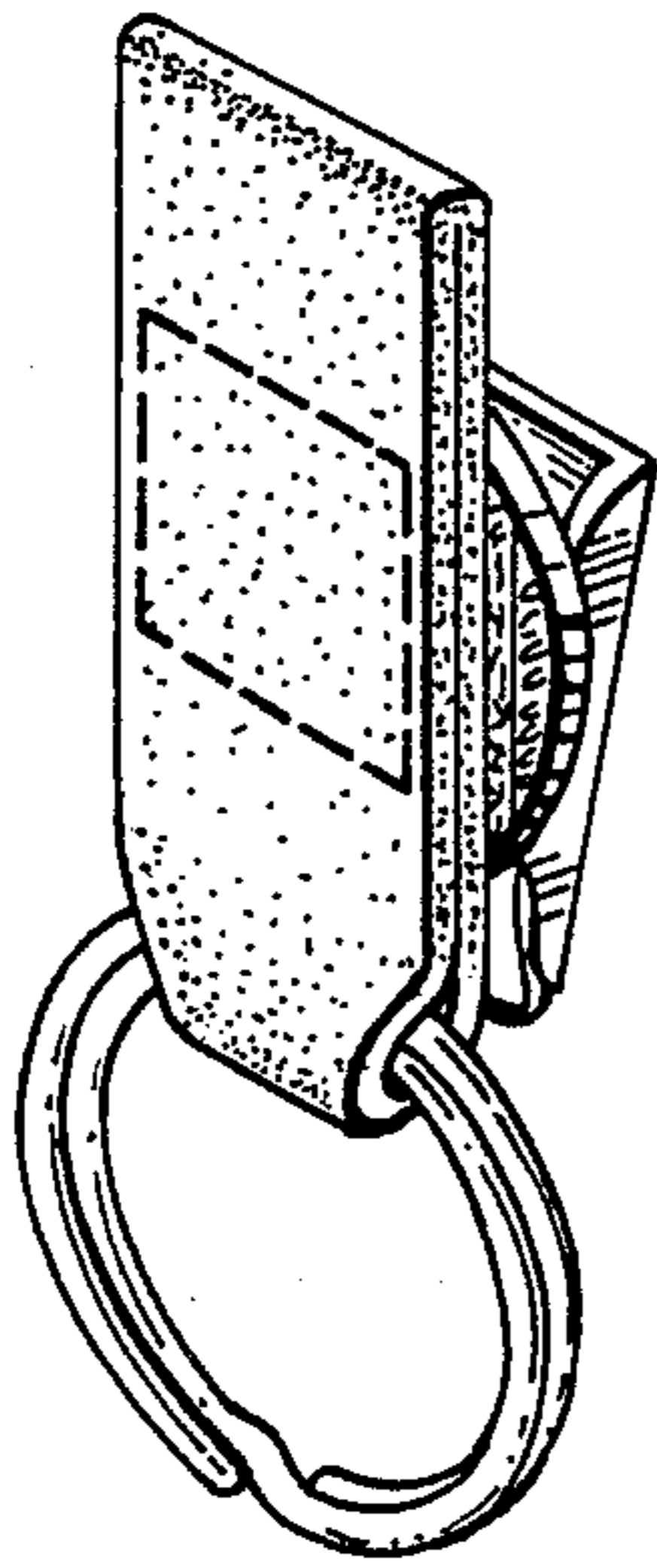


FIG. 2

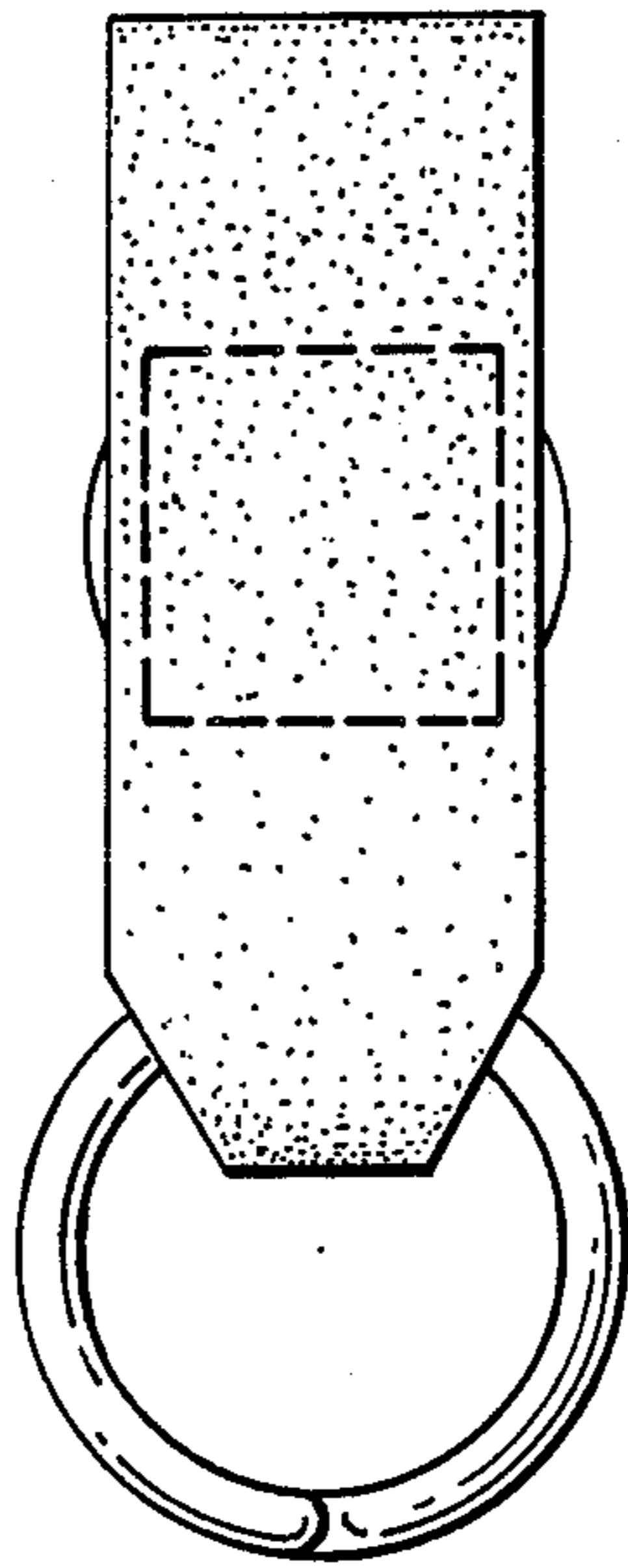


FIG. 3

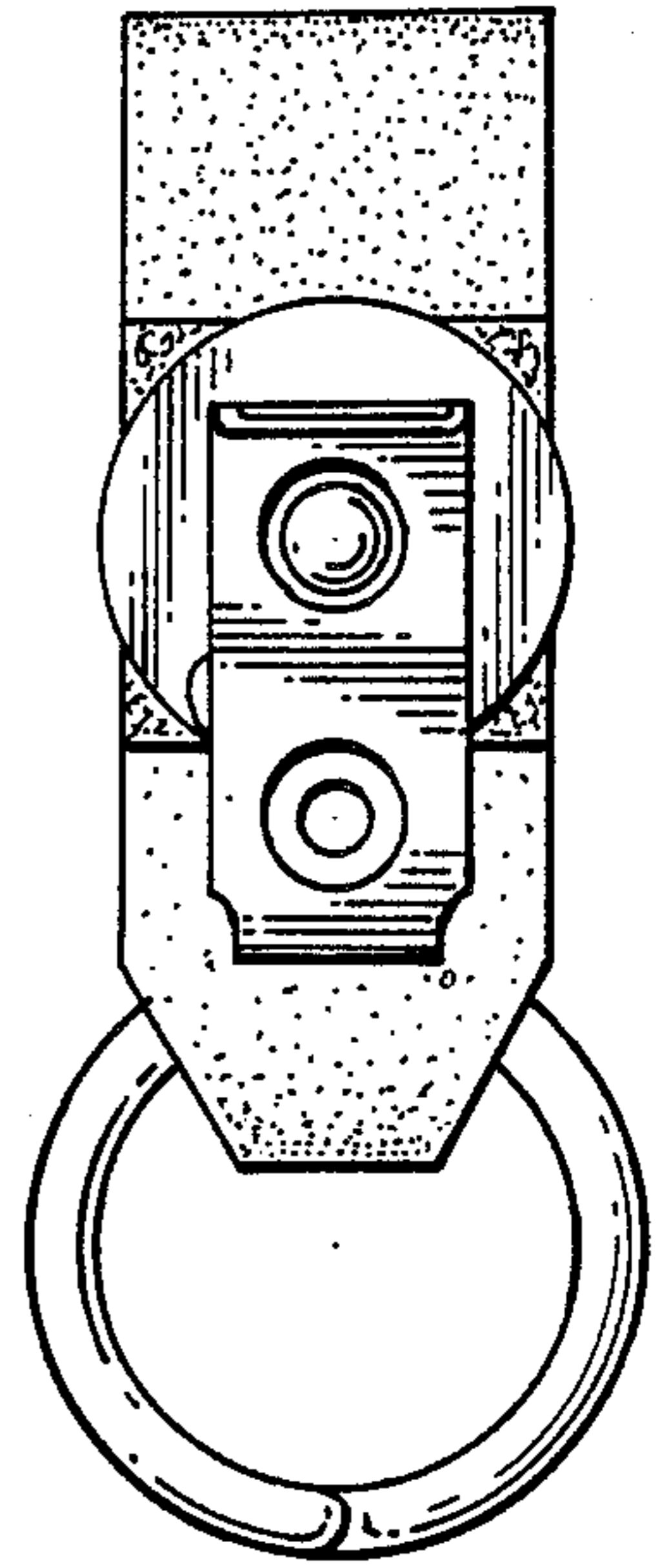


FIG. 4

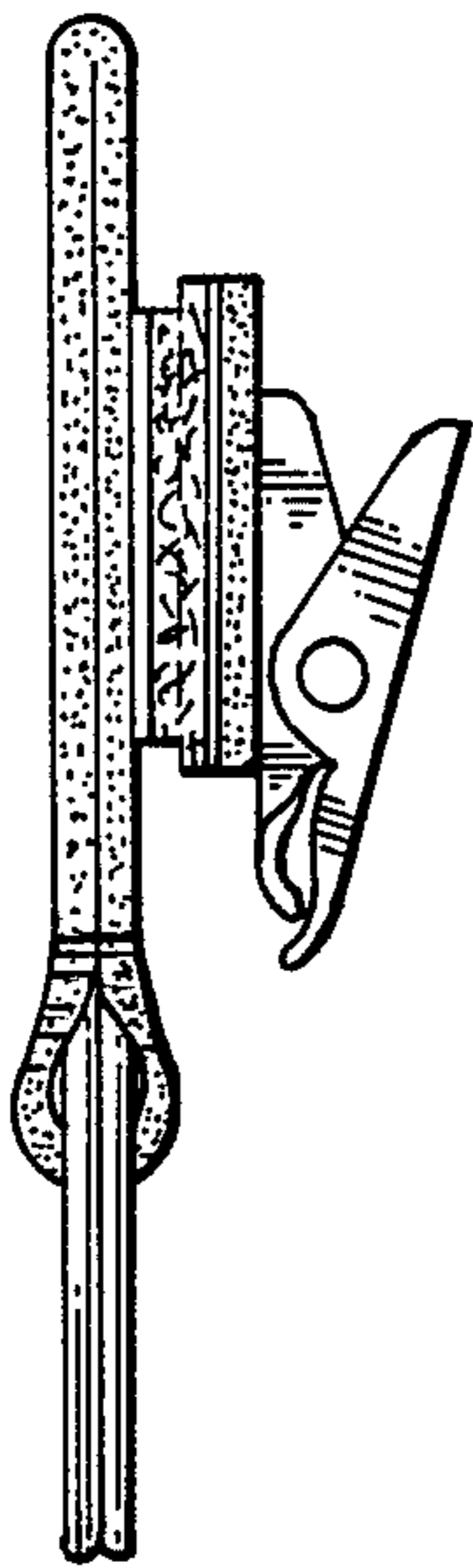


FIG. 5

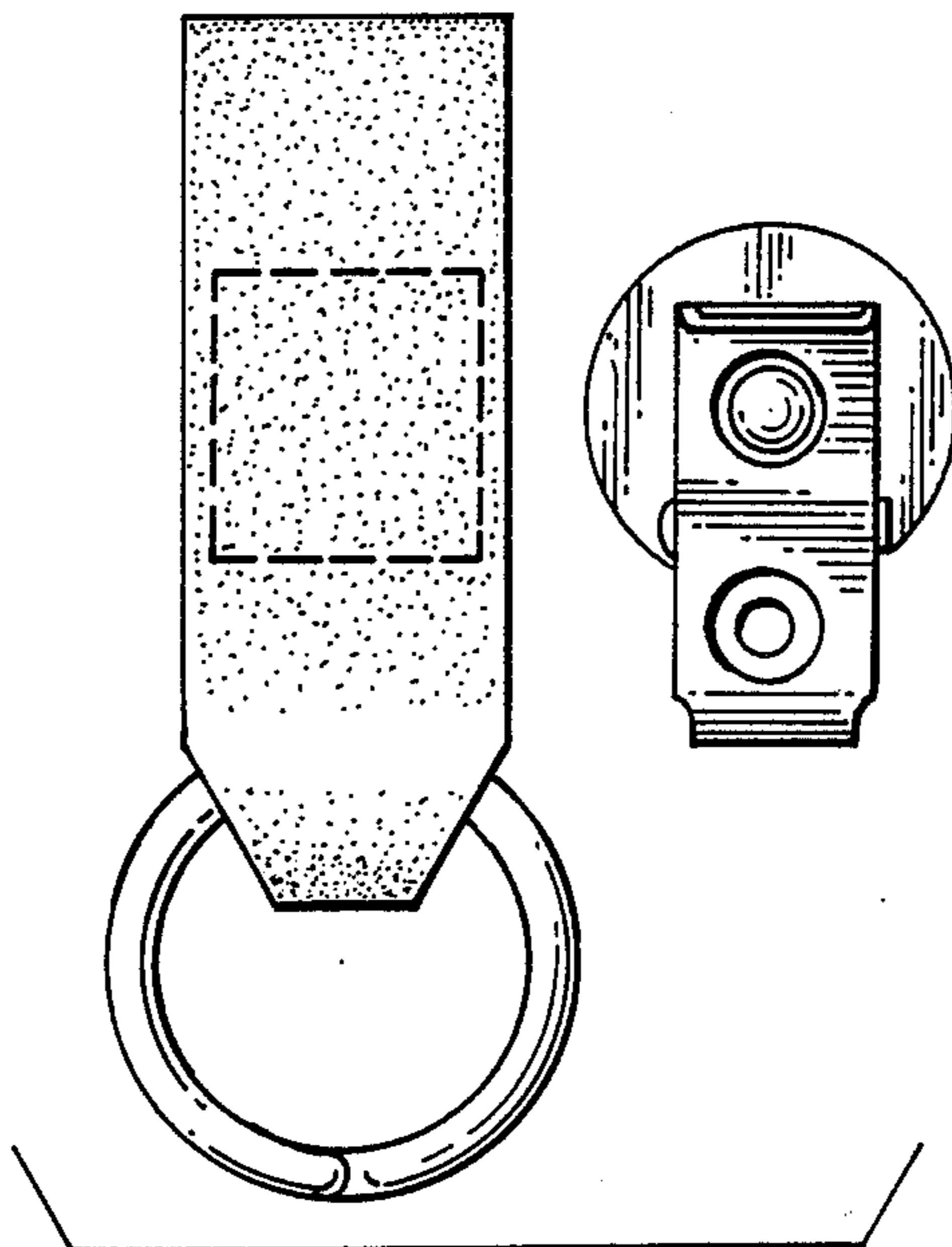


FIG. 6

