

[54] COSMETIC KIT

[76] Inventor: Caroleen Turner, 7012 Tarquin Ave., Temple Hill, Md. 20748

[**] Term: 14 Years

[21] Appl. No.: 50,131

[22] Filed: May 15, 1987

[52] U.S. Cl. D3/39; D28/83

[58] Field of Search D28/83, 38, 61, 76-78; D3/39, 40; D9/423; 220/DIG. 26; 362/135-137; 206/235, 581, 823; 132/286-288, 293, 294, 300, 301, 316

[56] References Cited

U.S. PATENT DOCUMENTS

D. 99,413	4/1936	O'Neill	D3/39	X
D. 139,024	10/1944	Morando	D3/74	
2,389,788	11/1945	Lathrop	D28/83	X
3,258,017	6/1966	Albert	D3/39	X

Primary Examiner—Louis S. Zarfes
Attorney, Agent, or Firm—Staas & Halsey

[57] CLAIM

The ornamental design for a cosmetic kit, as shown and described.

DESCRIPTION

FIG. 1 is a perspective view of a cosmetic kit showing my new design;
 FIG. 2 is a top plan view thereof;
 FIG. 3 is a front elevational view thereof;
 FIG. 4 is a left side elevational view thereof;
 FIG. 5 is a rear elevation view thereof;
 FIG. 6 is a bottom plan view thereof;
 FIG. 7 is a perspective view with the top lid raised exposing the shelf below;
 FIG. 8 is a perspective view with the drawer in open position;
 FIG. 9 is a perspective view with the drawer in open position and with the lid thereof raised;
 FIG. 10 is a perspective view with the bottom lid raised.

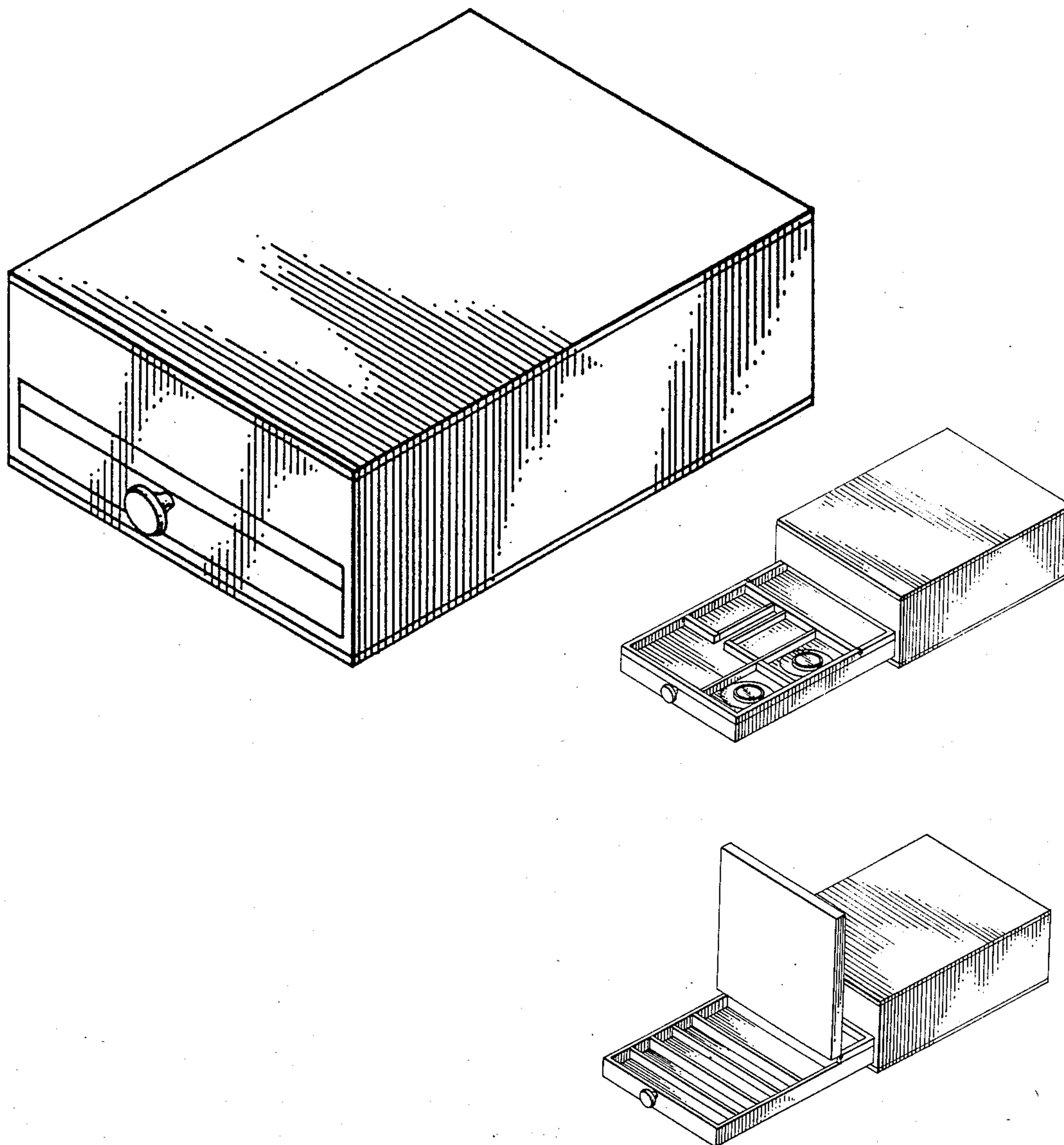


FIG. 1.

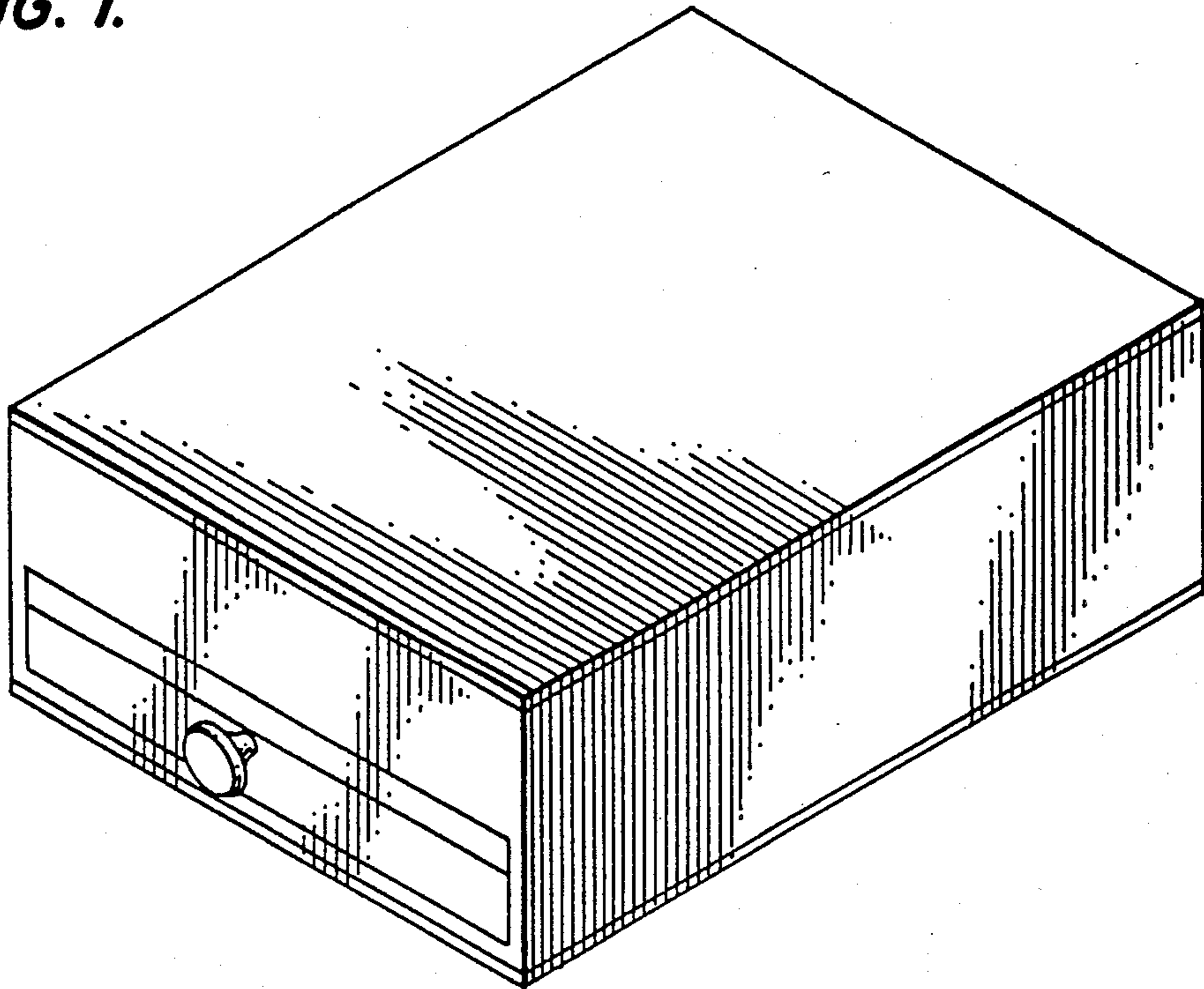


FIG. 2.

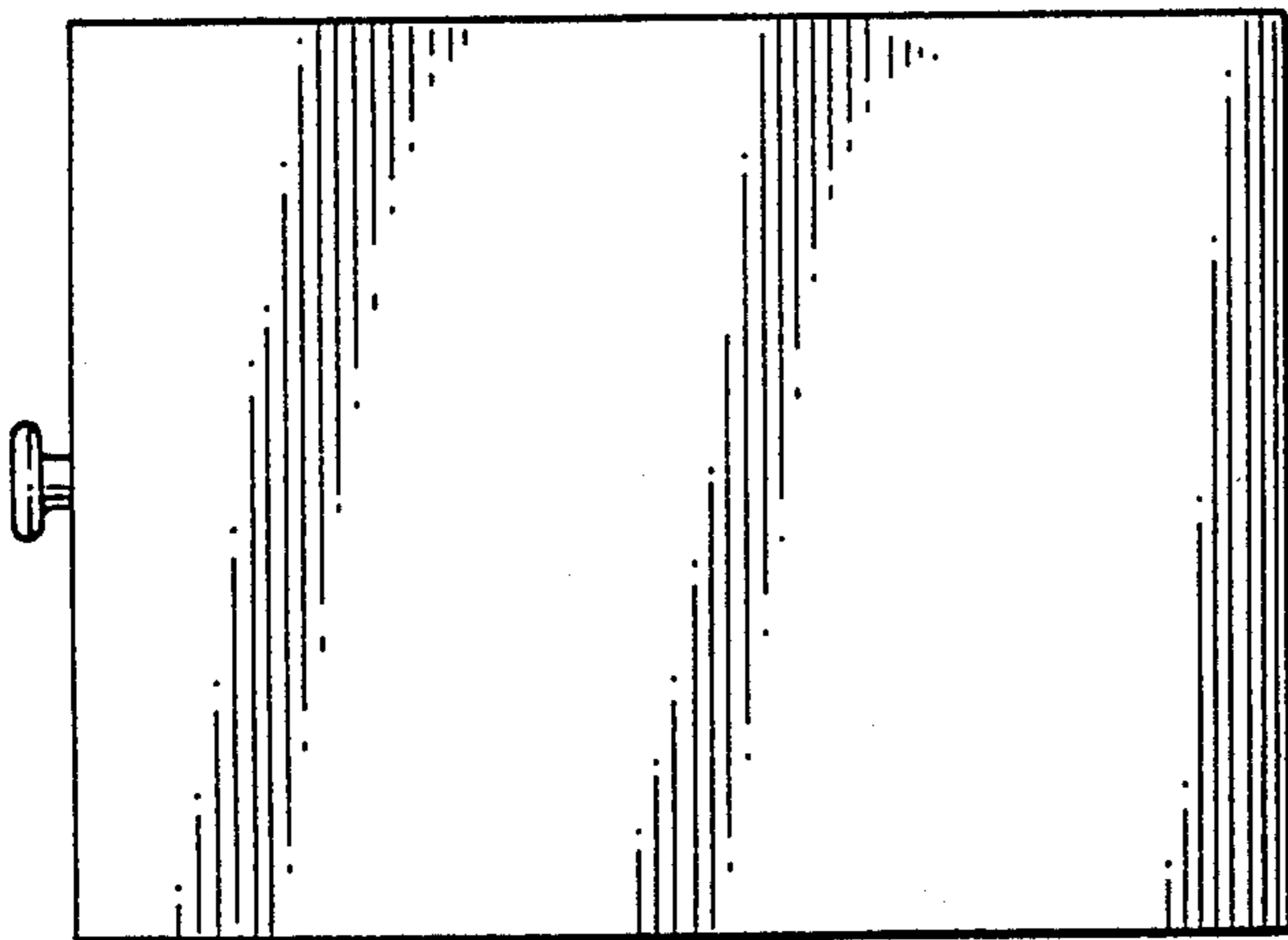


FIG. 3.

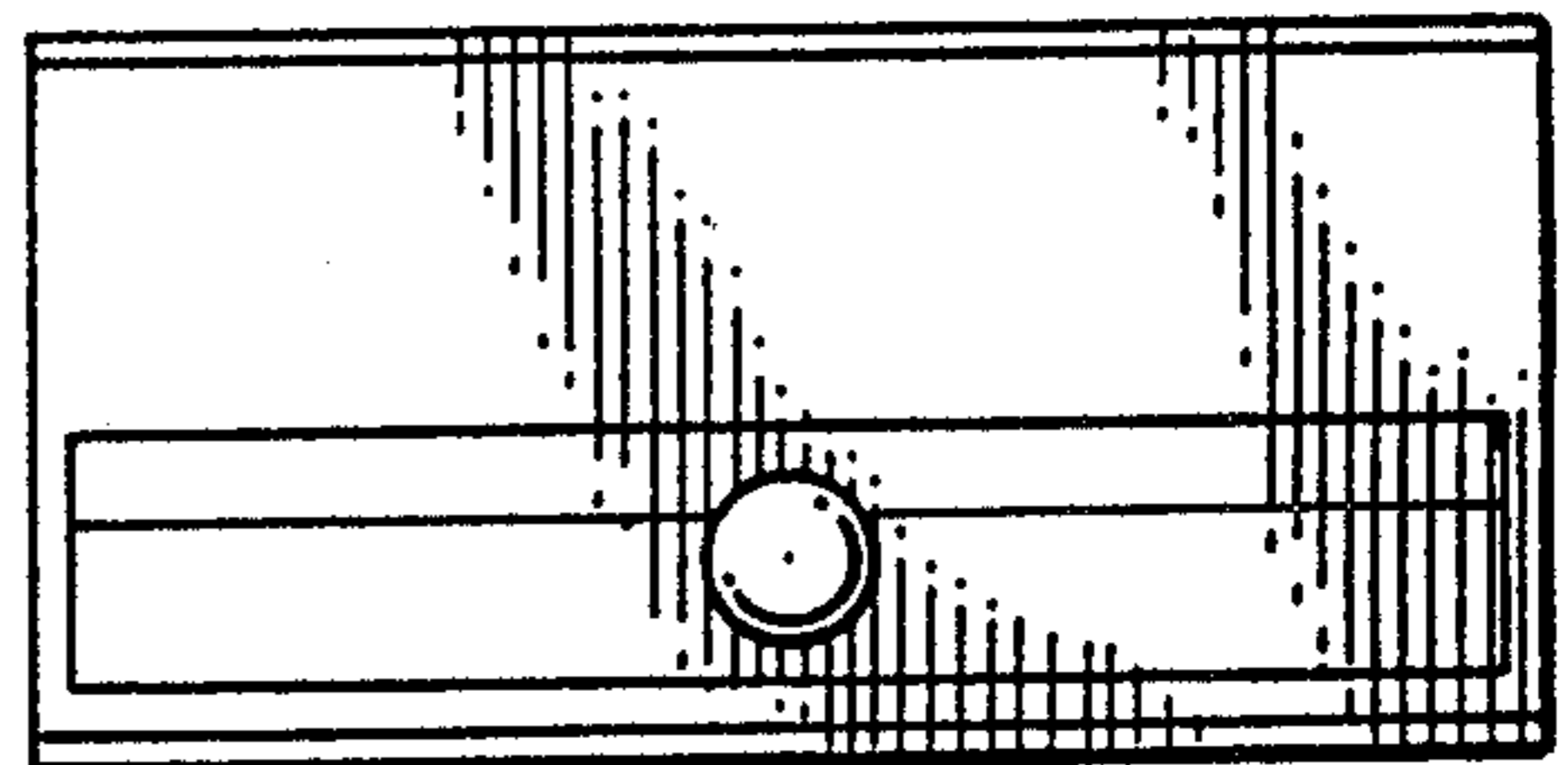


FIG. 4.

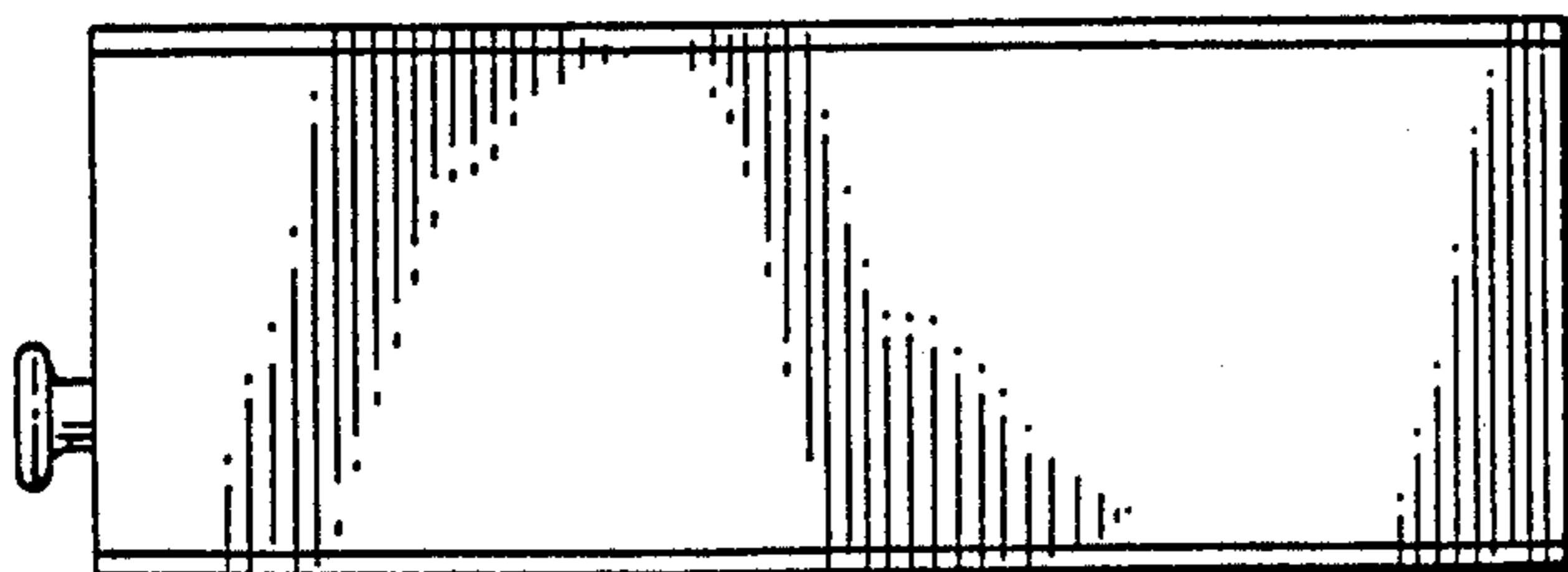


FIG. 5.

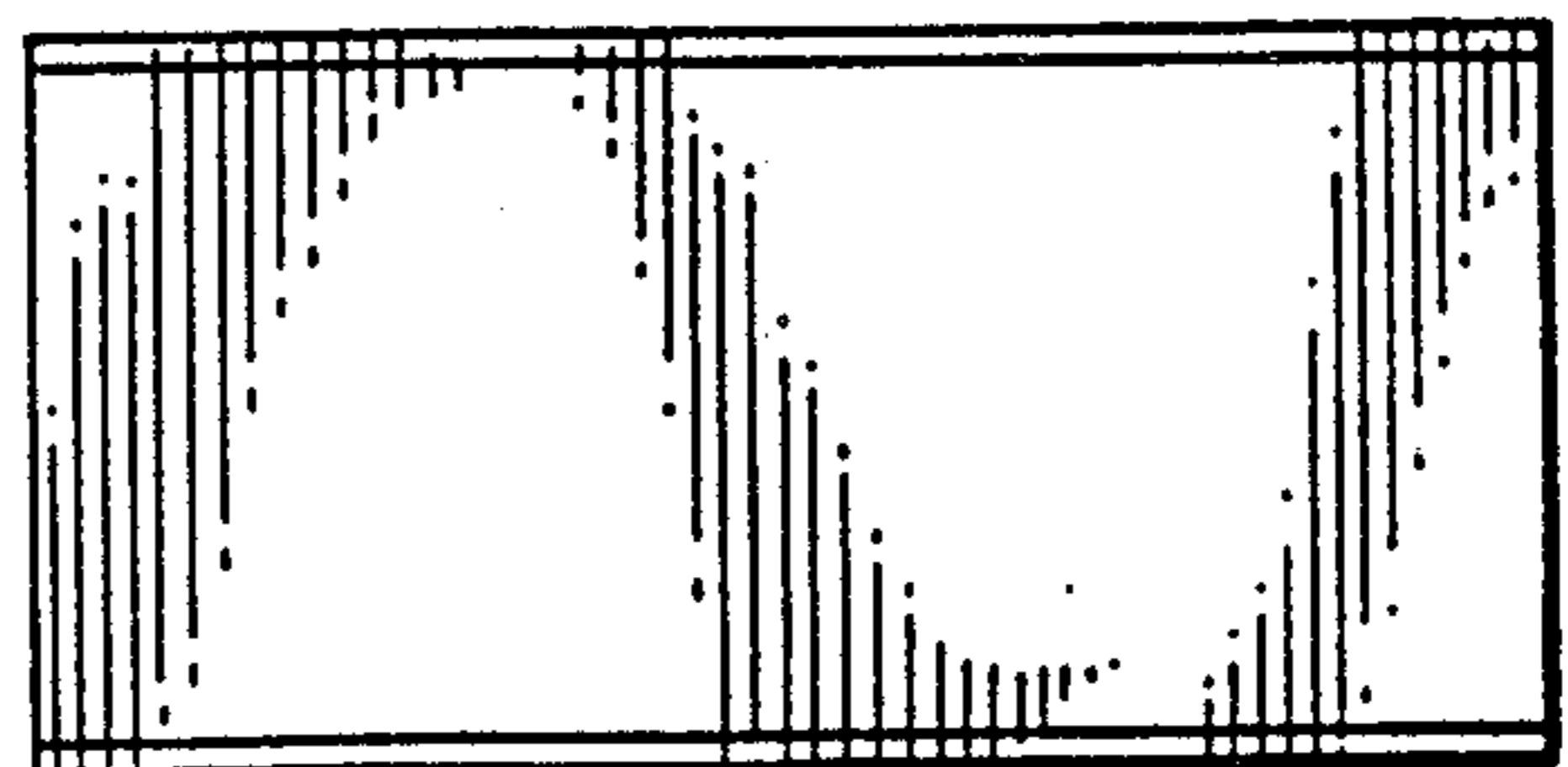


FIG. 6.

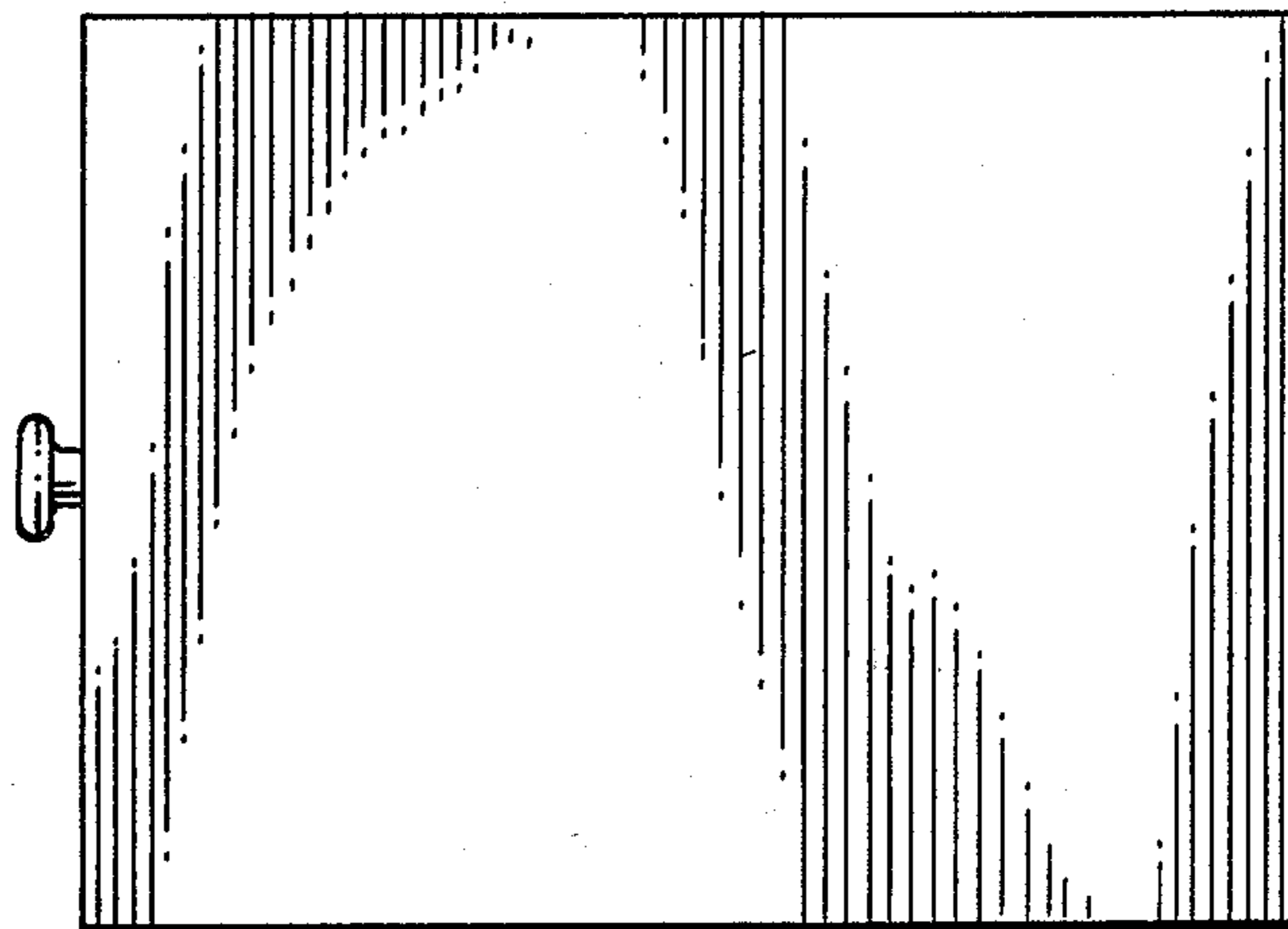


FIG. 7.

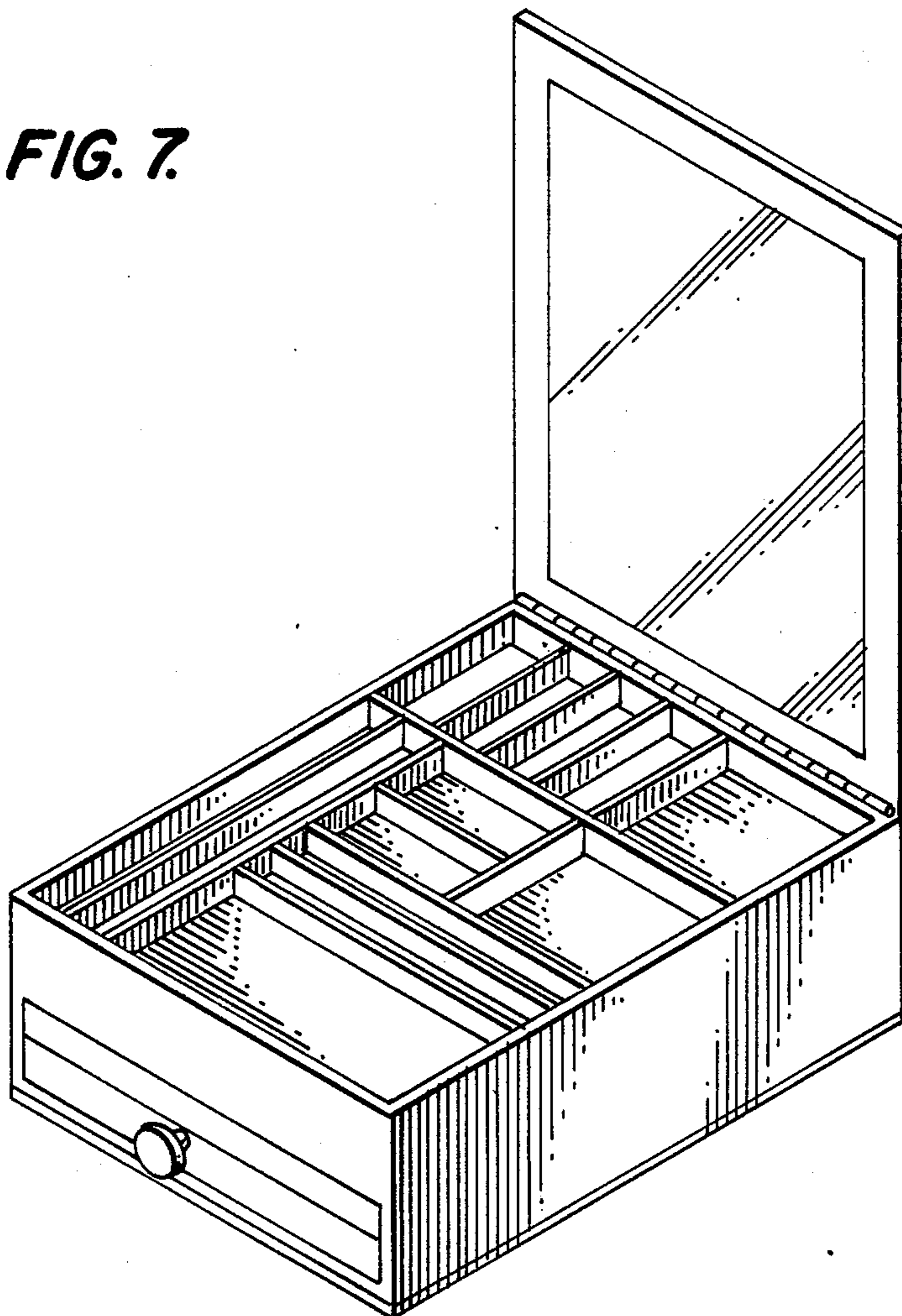


FIG. 8.

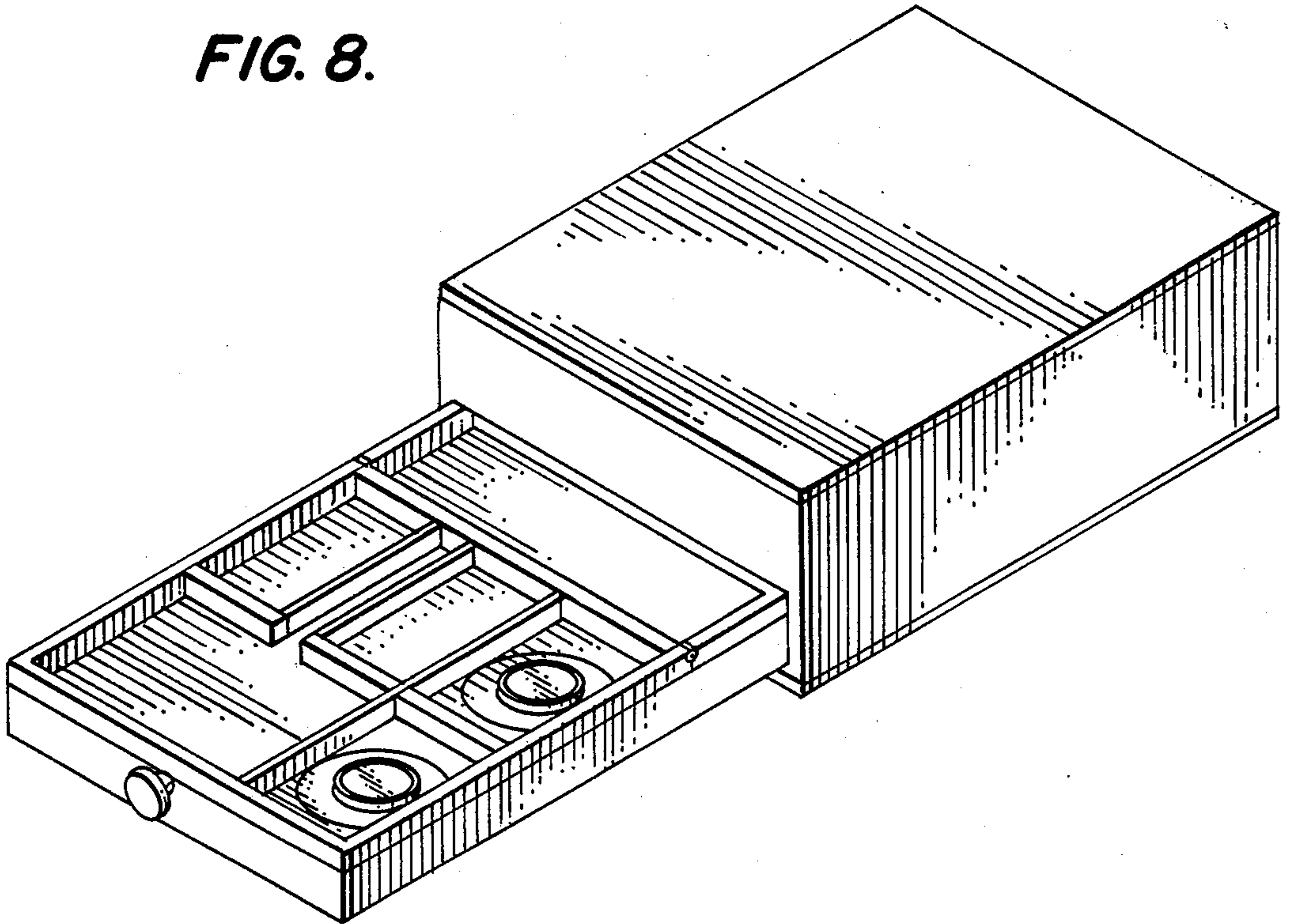


FIG. 9.

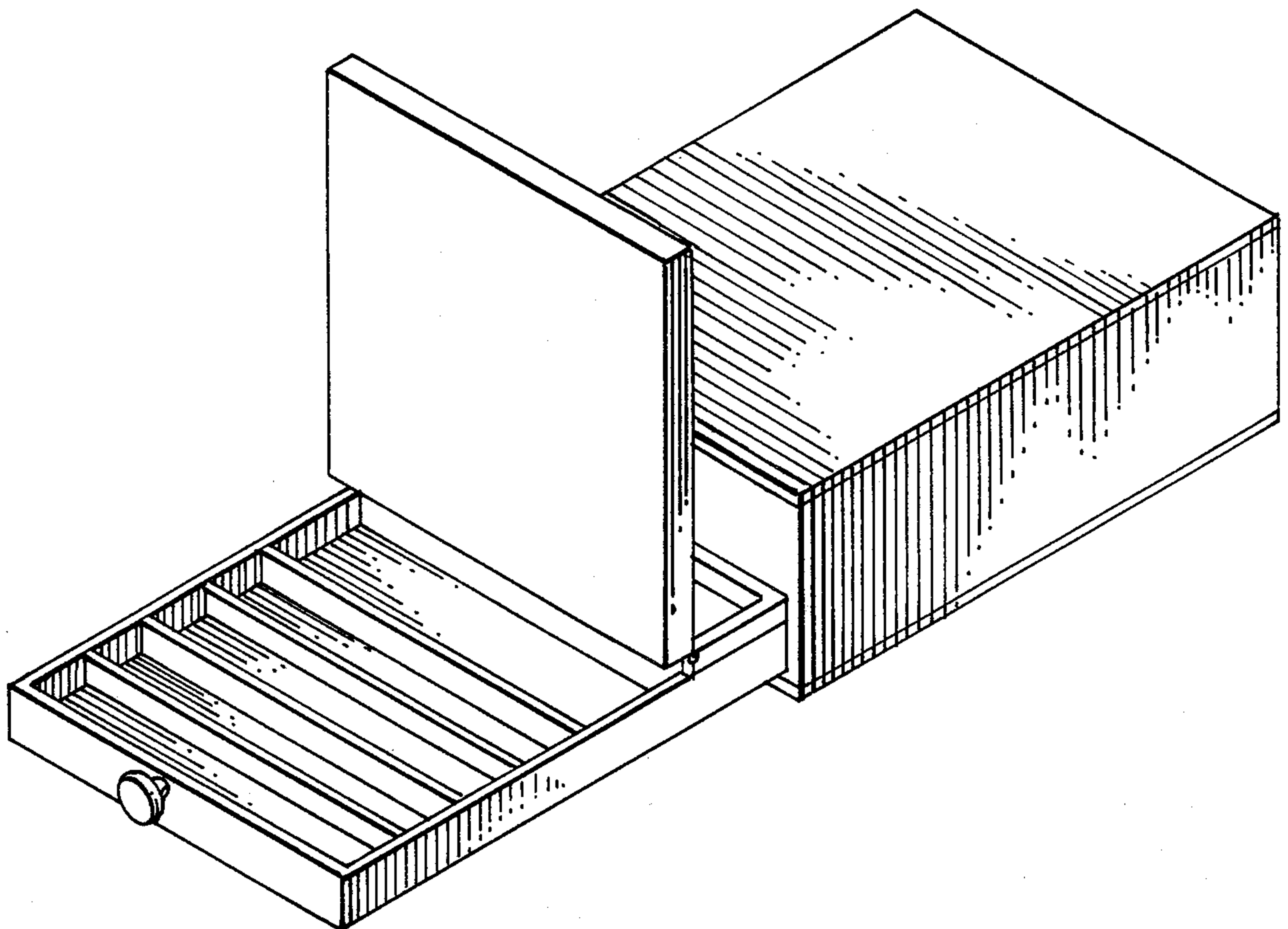


FIG. 10.

