

[54] **BEACH BAG WITH REMOVABLE SUPPORT**

[76] **Inventor:** Wayne O. Allen, 7390 Howerton Rd.,
Elon College, N.C. 27244

[**] **Term:** 14 Years

[21] **Appl. No.:** 886,028

[22] **Filed:** Jul. 16, 1986

[52] **U.S. Cl.** D3/301

[58] **Field of Search** 135/67, 68, 65, DIG. 11;
211/150, 156; 220/9.1, 9.2, 9.3; 248/156

[56] **References Cited**

U.S. PATENT DOCUMENTS

- D. 272,202 1/1984 Ring D3/30.1
- 4,248,364 2/1981 Anderson D3/301 X
- 4,356,854 11/1982 McGee D3/30.1 X

Primary Examiner—James R. Largen
Assistant Examiner—Antoine D. Davis
Attorney, Agent, or Firm—Judith E. Garmon

[57] **CLAIM**

The ornamental design for beach bag with removable support, as shown and described.

DESCRIPTION

FIG. 1 is a top, plan, front, and left side perspective view of a beach bag with removable support showing my new design;

FIG. 2 is a bottom plan view thereof;

FIG. 3 is a top plan view thereof;

FIG. 4 is a right side perspective view thereof, the supports being an upright position; and

FIG. 5 is a right side perspective view thereof, the beach bag being in a folded position.

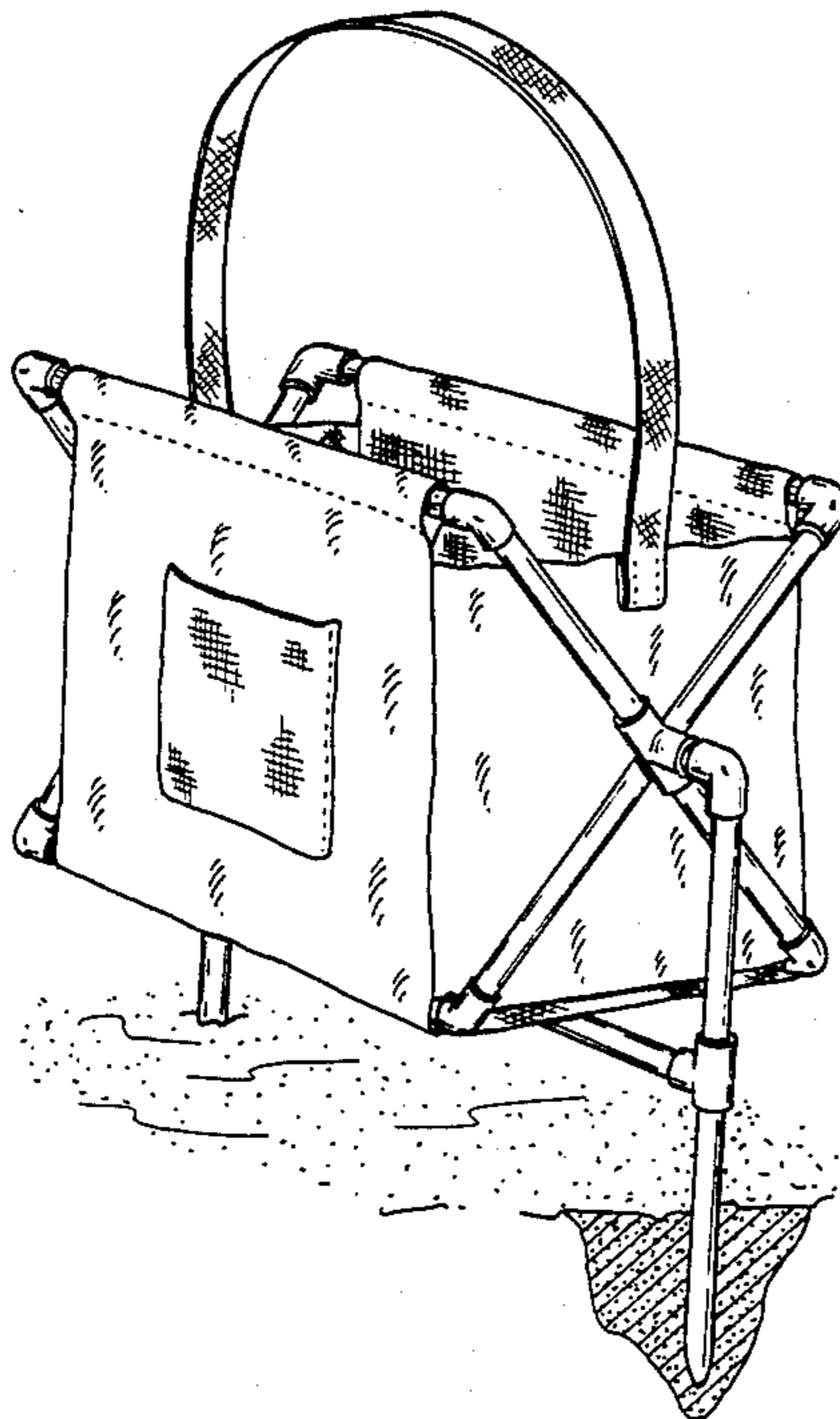


FIG. 2

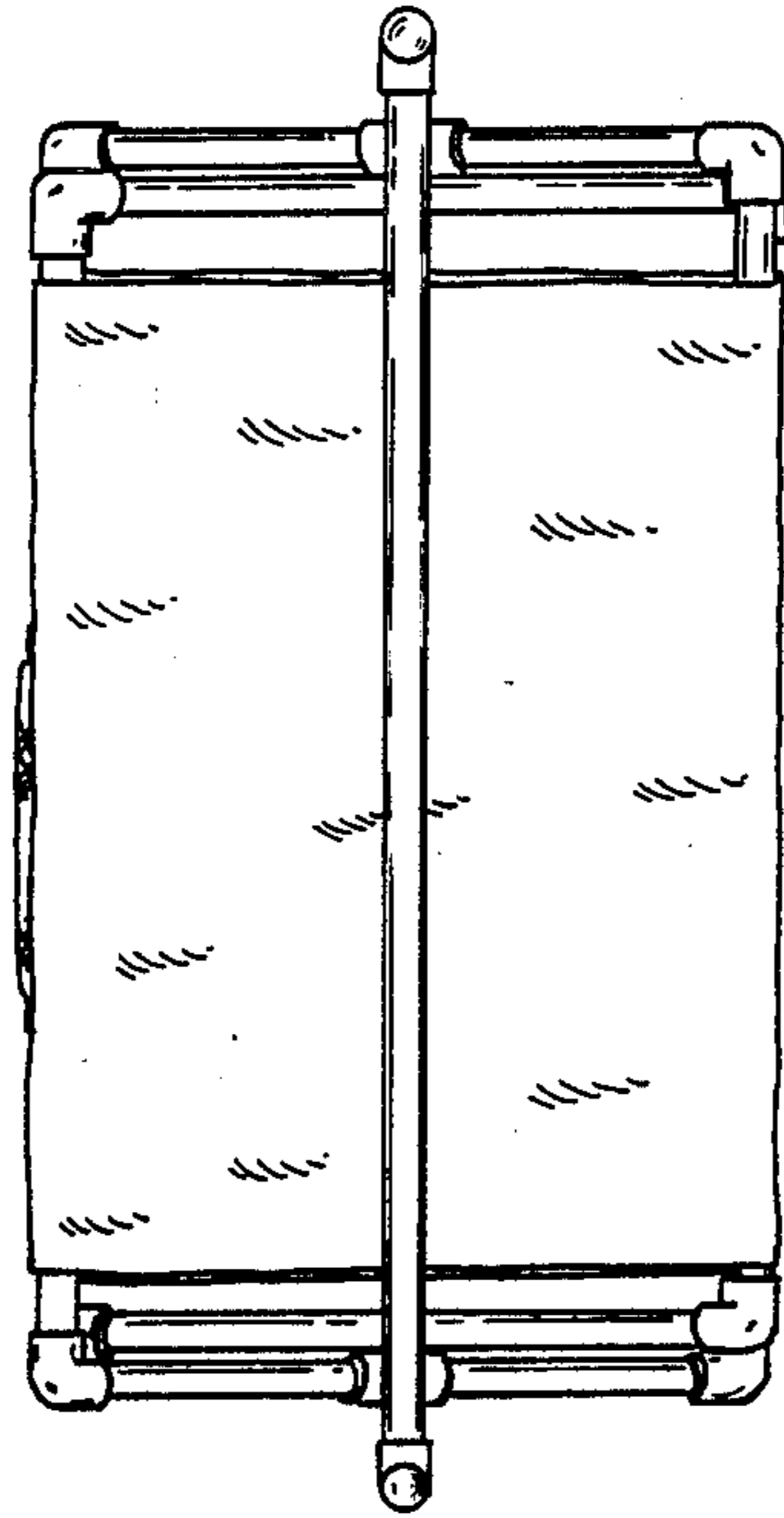


FIG. 3

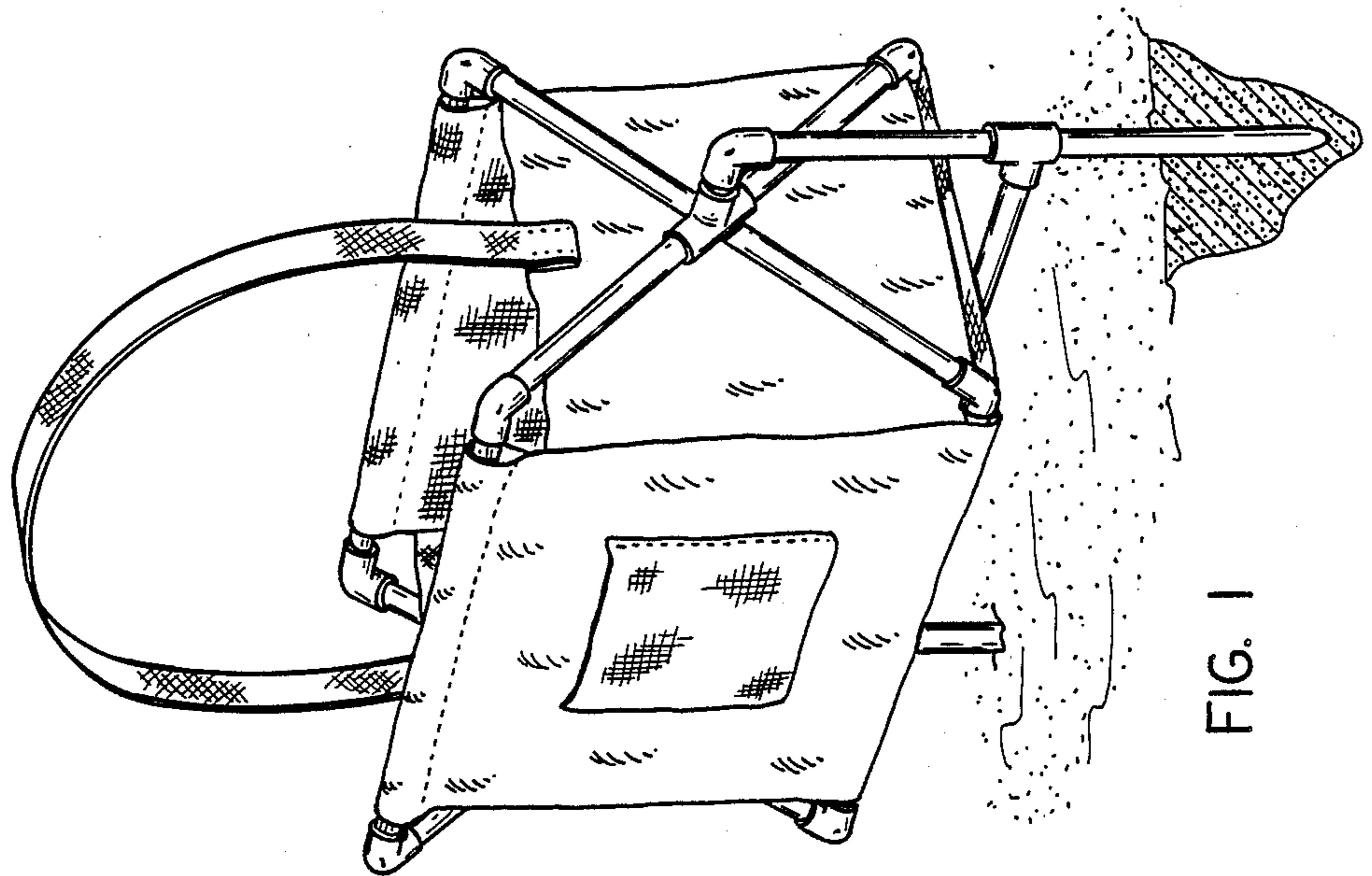
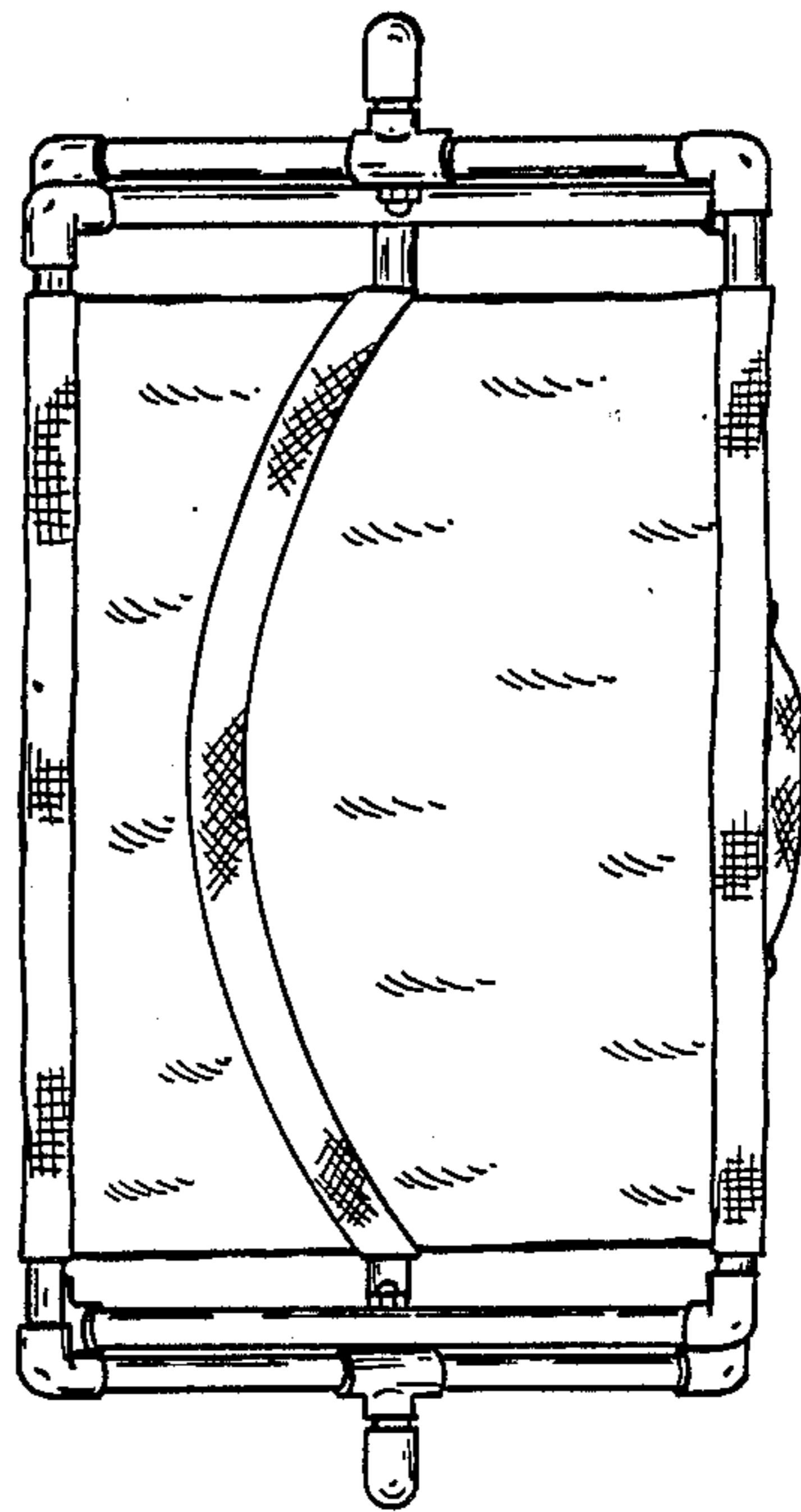


FIG. 1

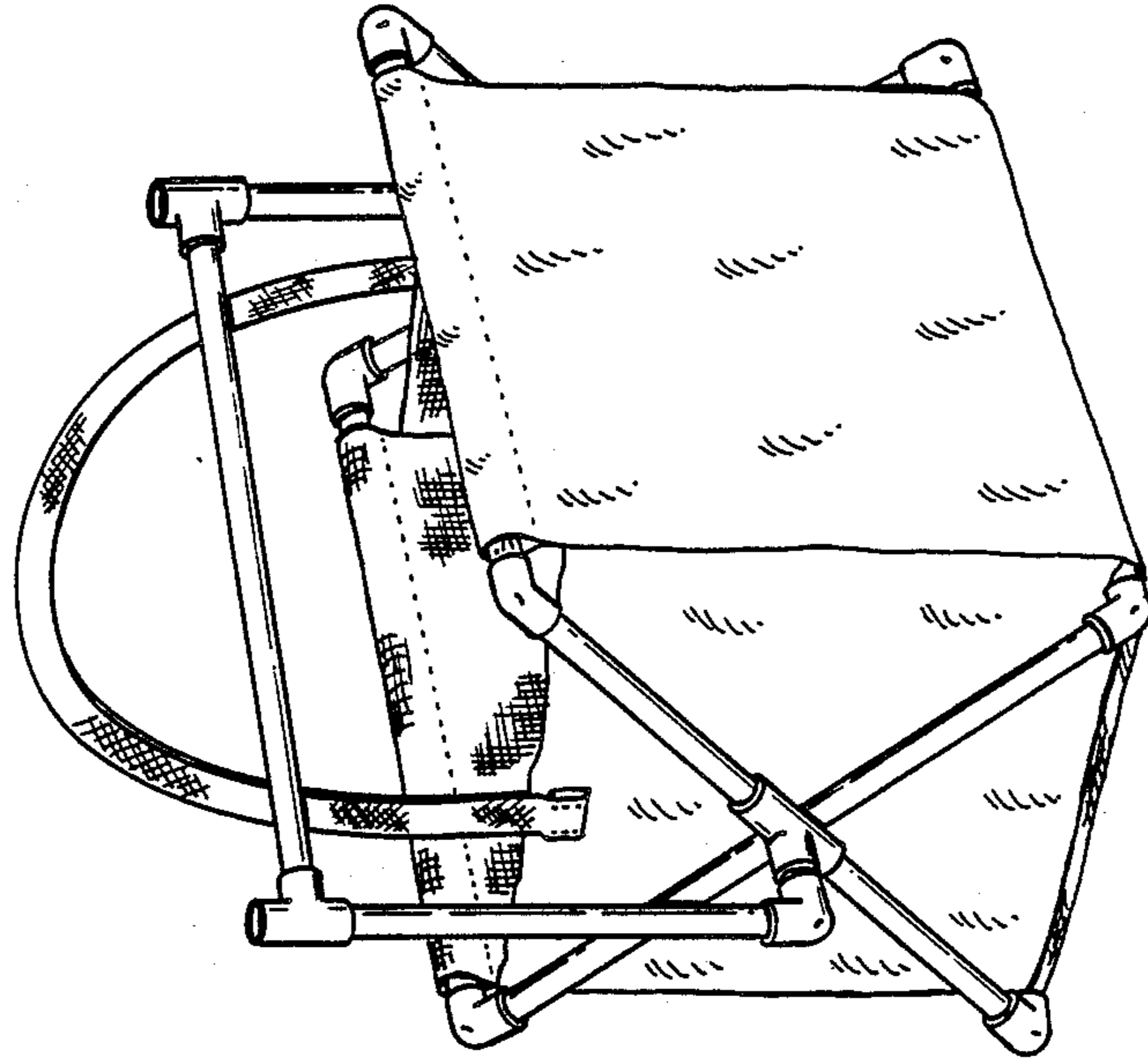


FIG. 4

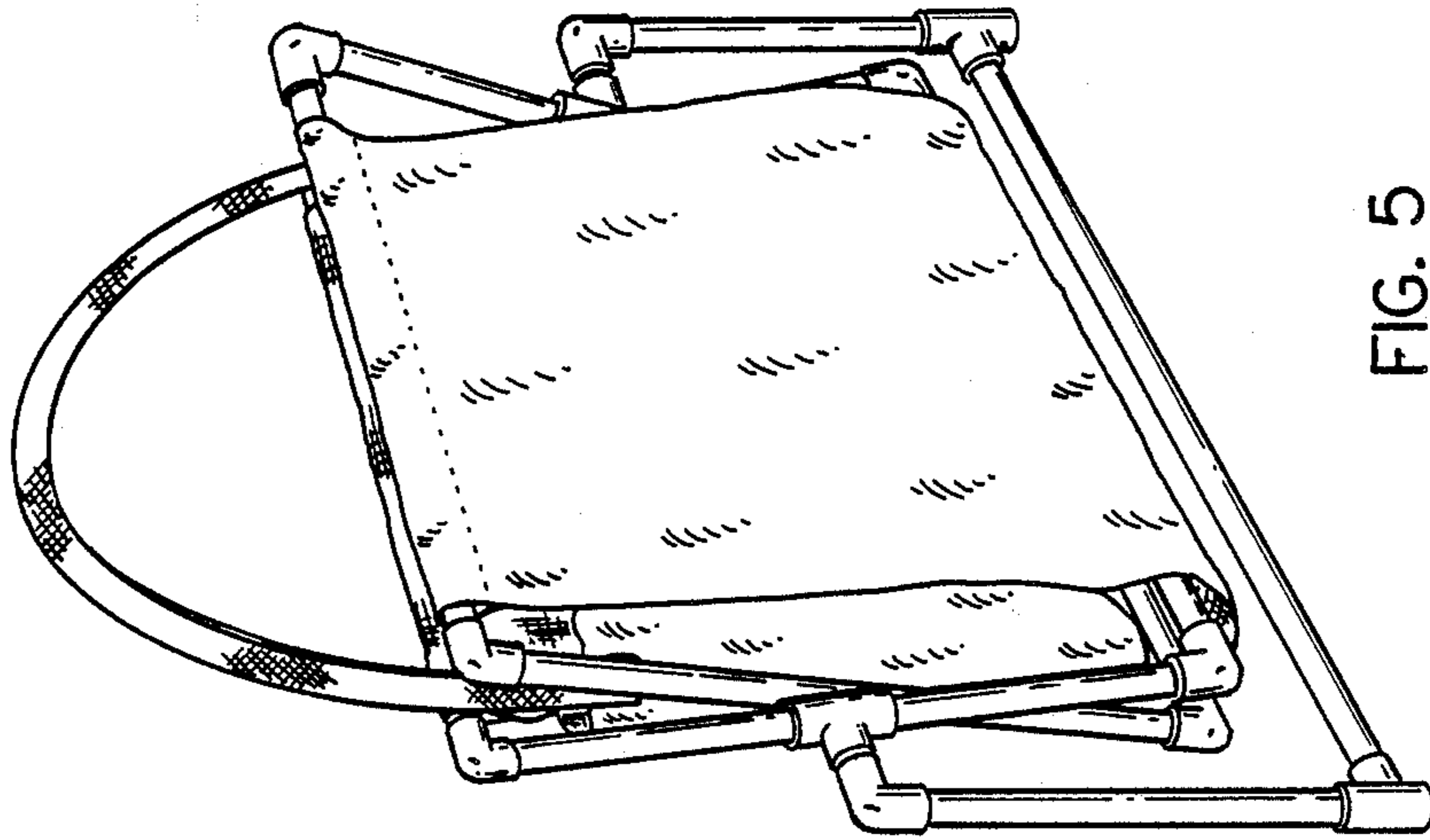


FIG. 5