

[54] **FOLDING TOOL BOX**
 [75] **Inventor: George Hillinger, Los Angeles, Calif.**
 [73] **Assignee: Alltrade, Inc., City of Commerce, Calif.**
 [**] **Term: 14 Years**
 [21] **Appl. No.: 385,276**
 [22] **Filed: Jul. 25, 1989**
 [52] **U.S. Cl. D3/30.1; 206/349**
 [58] **Field of Search 206/349, 373, 338; D3/30.1, 30.5; 220/339**

3,878,939 4/1975 Wilcox 206/373

FOREIGN PATENT DOCUMENTS

946336 4/1974 Canada 206/373

Primary Examiner—James R. Largen
Assistant Examiner—Cathy Anne MacCormac
Attorney, Agent, or Firm—Robert R. Thornton

[57] **CLAIM**

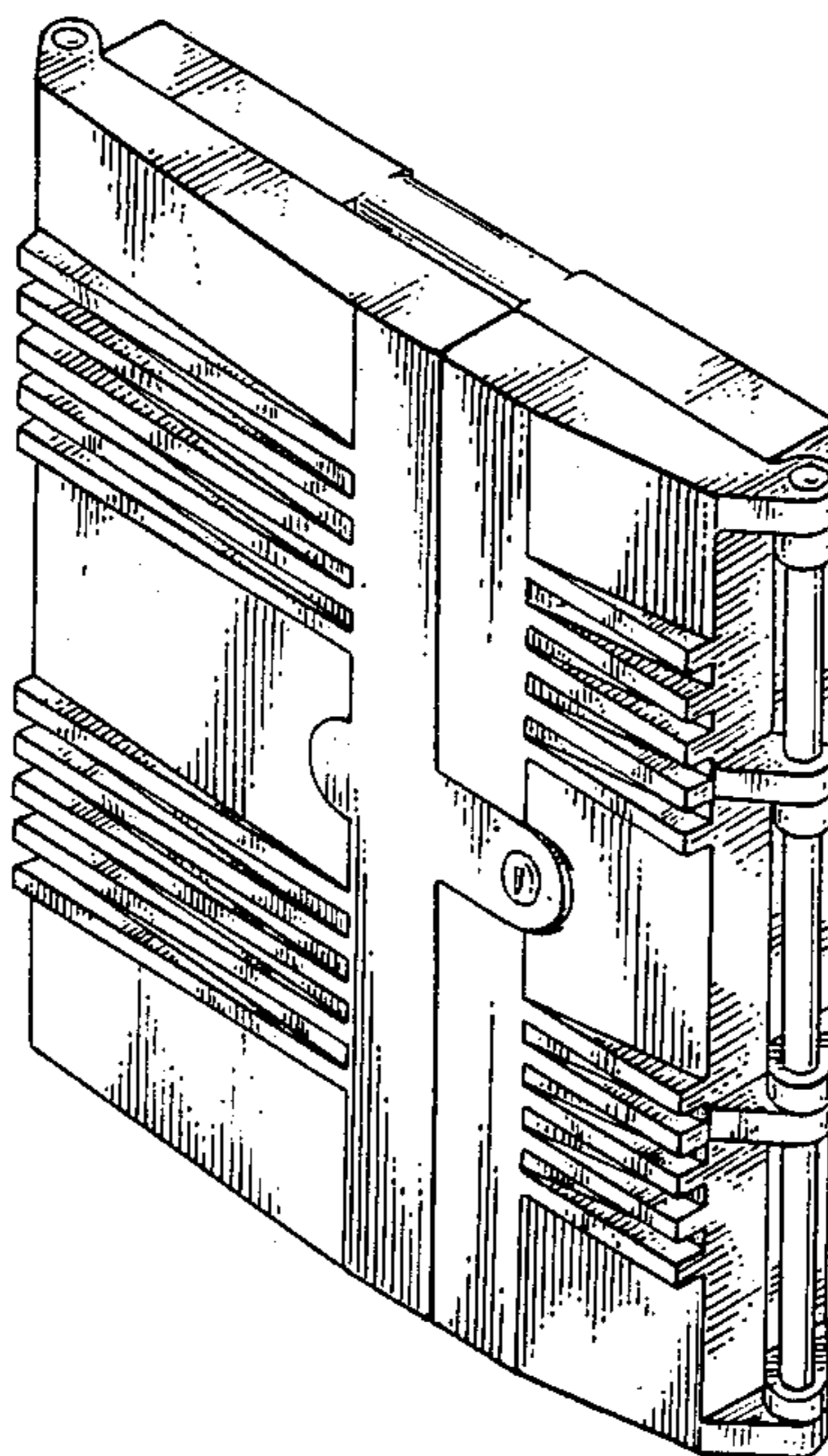
The ornamental design for a folding tool box, as shown and described.

DESCRIPTION

FIG. 1 is a top, front and right side perspective view of a folding tool box showing my new design;
 FIG. 2 is a top plan view thereof;
 FIG. 3 is a right side elevational view thereof;
 FIG. 4 is a front elevational view thereof;
 FIG. 5 is a rear elevational view thereof;
 FIG. 6 is a left side elevational view thereof;
 FIG. 7 is a bottom plan view thereof; and
 FIG. 8 is a rear elevational view thereof, showing the box in unfolded position.
 FIG. 9 is a top plan view thereof with the box in its completely unfolded disposition.

[56] **References Cited**
U.S. PATENT DOCUMENTS

D. 287,906	1/1987	Tsuji et al.	D3/30.5
D. 291,388	8/1987	Seguin	D3/30.1
1,684,002	9/1928	White	206/373
2,332,918	10/1943	Kalske	206/373
2,611,479	9/1952	Oliver	206/373
2,960,254	11/1960	Kiba	220/338
3,023,923	3/1962	Geib et al.	220/338
3,191,765	6/1965	Dozier	206/373
3,327,841	6/1967	Schurman et al.	206/349
3,823,817	7/1974	Hughes	206/349



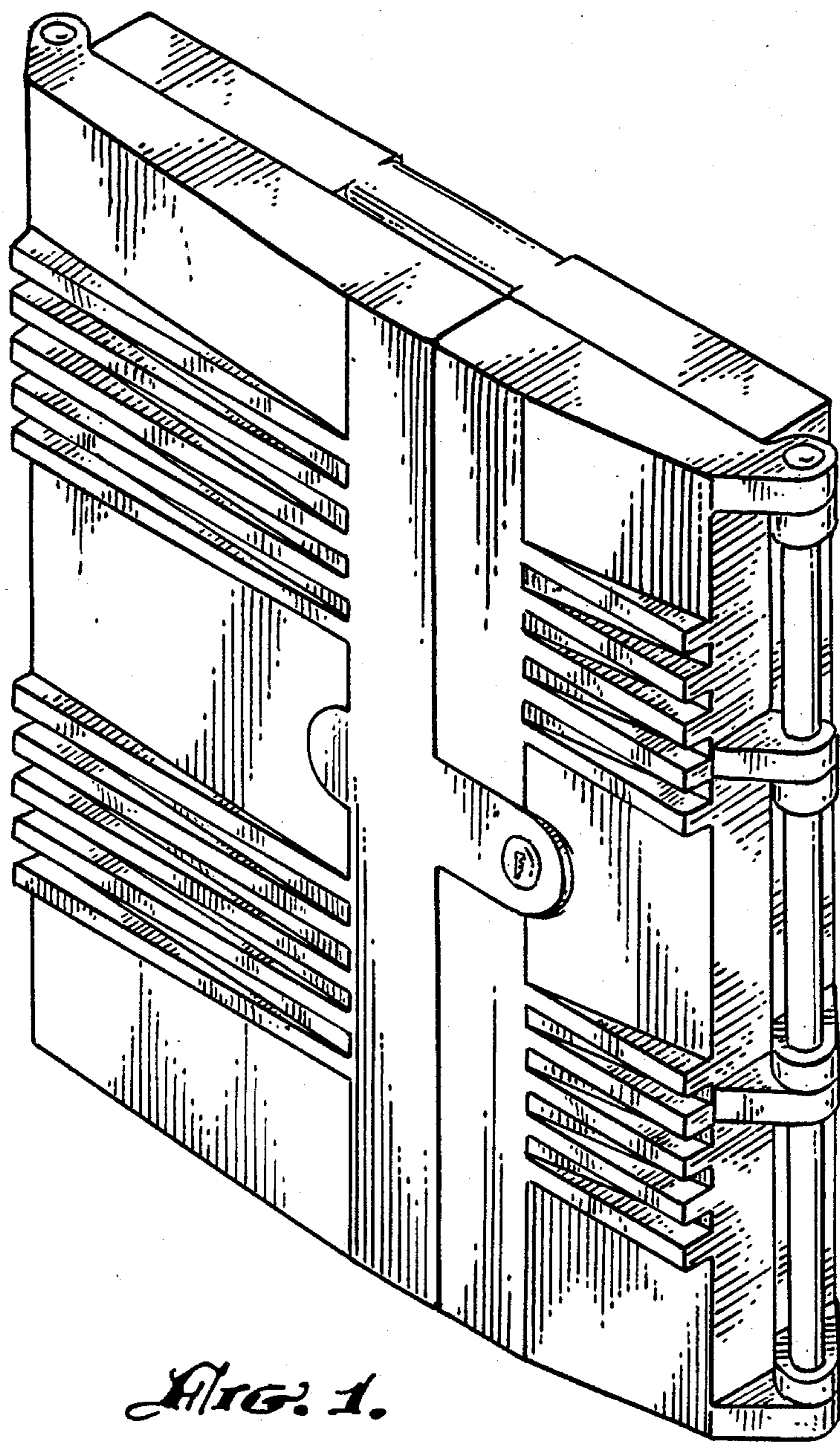


FIG. 1.

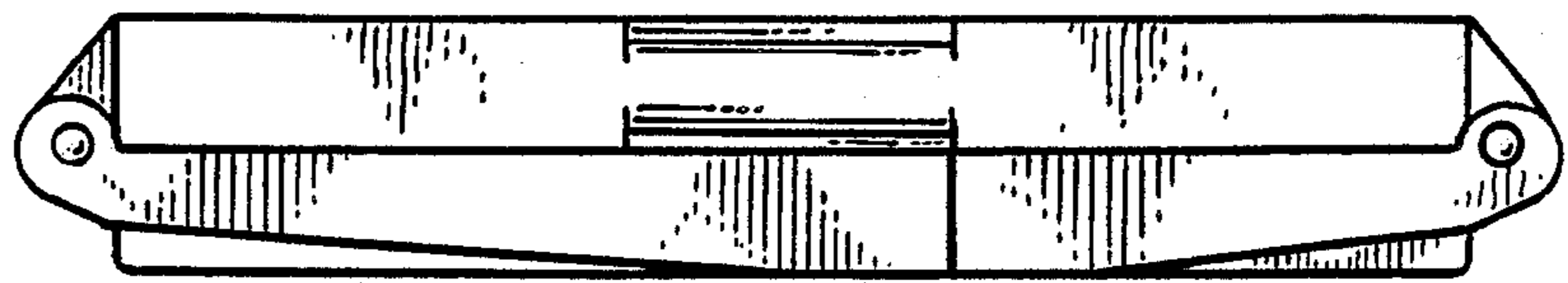


FIG. 2.



FIG. 3.

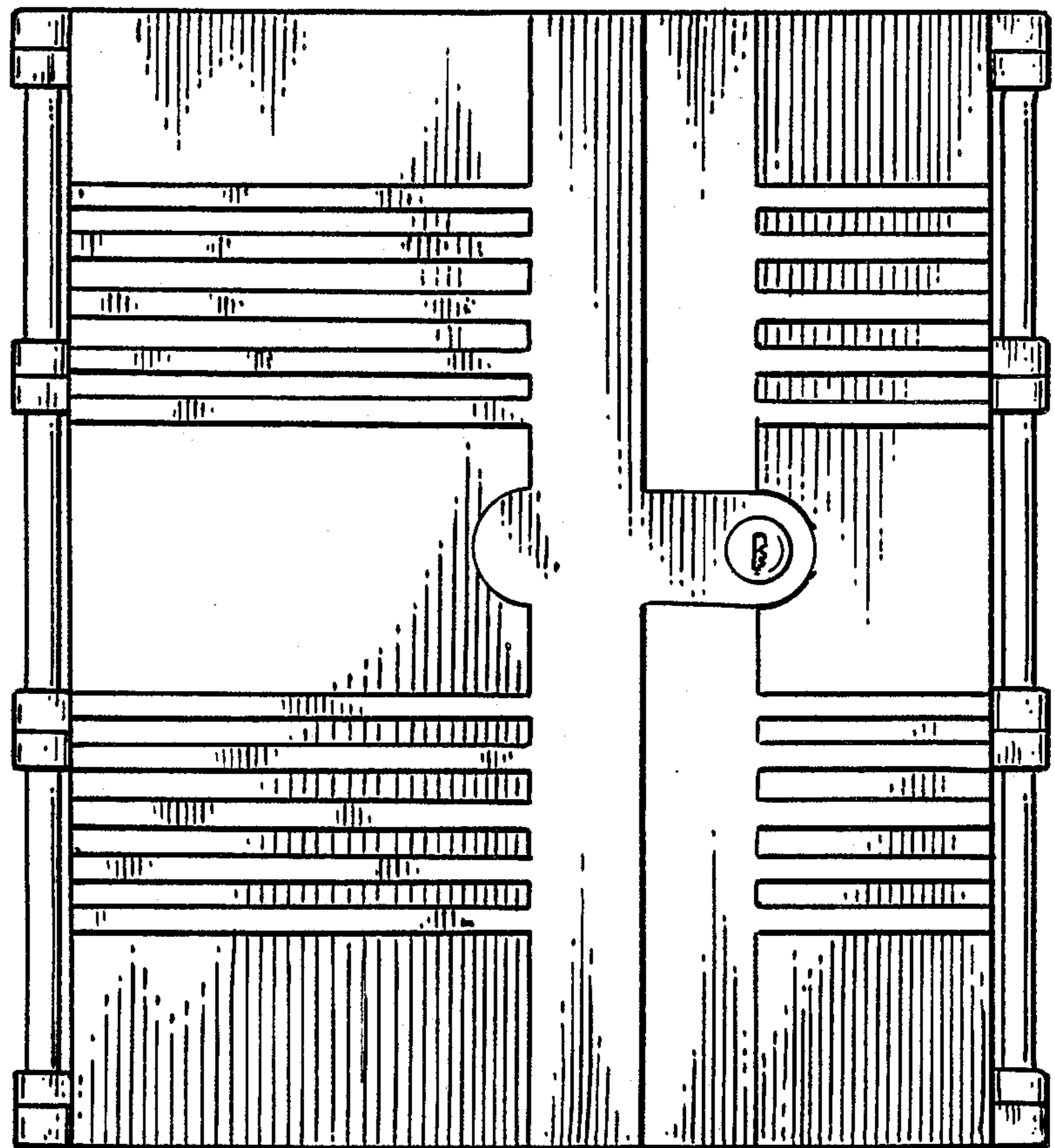


FIG. 4.

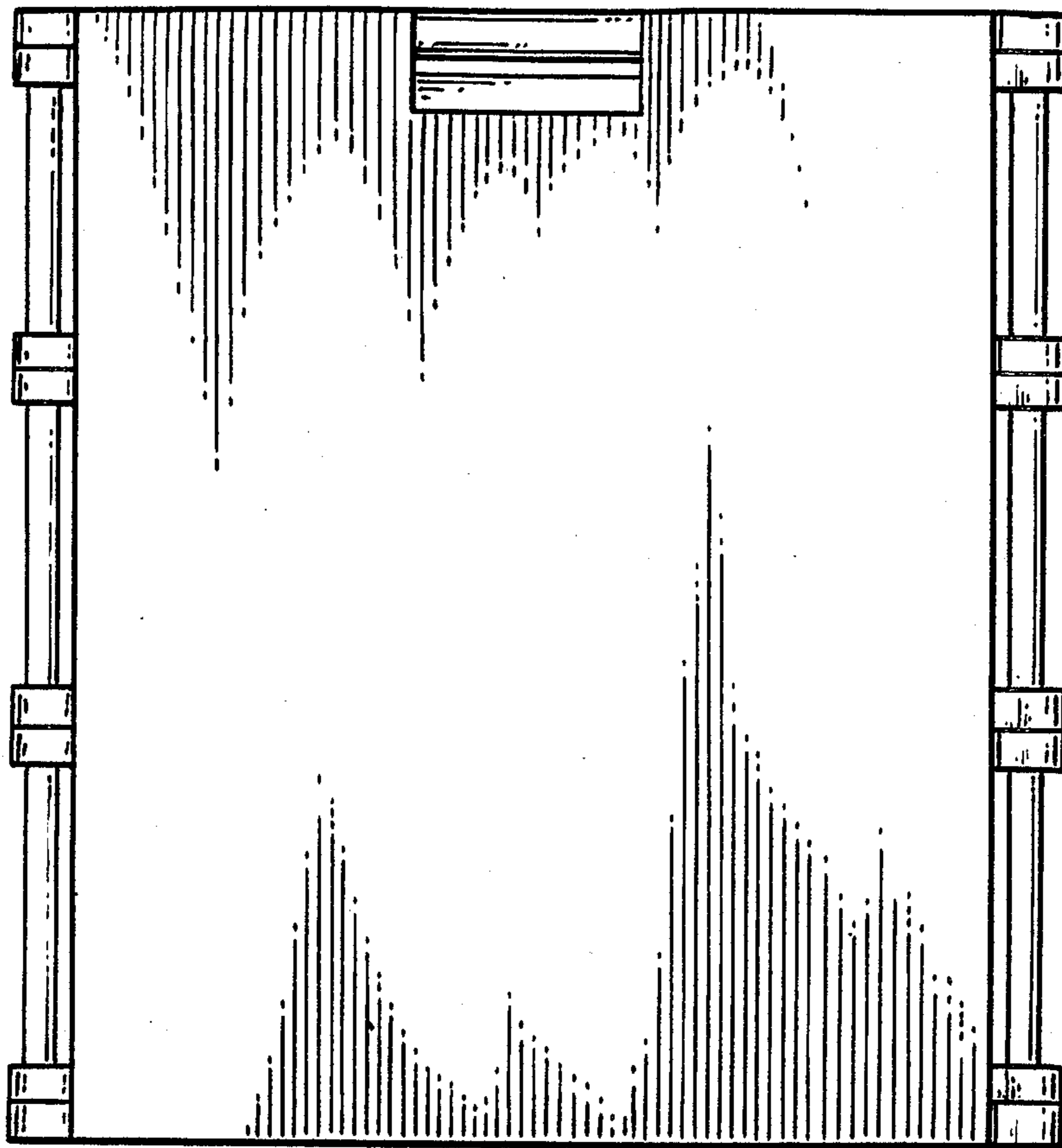


FIG. 5.



FIG. 6.



FIG. 7.

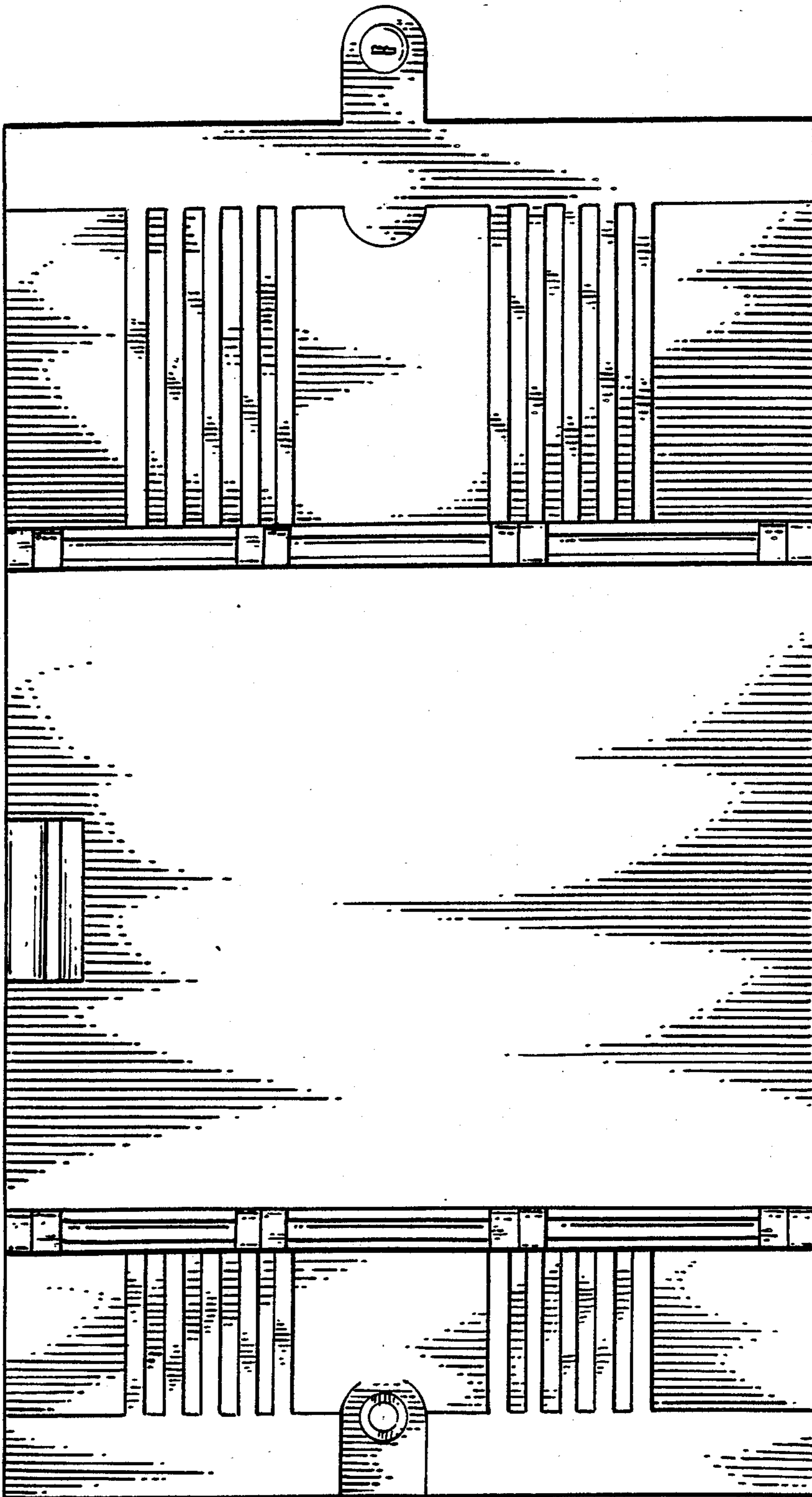


FIG. 8.