

[54] TRASH CAN WITH LID

Attorney, Agent, or Firm—James A. Hinkle

[76] Inventor: Catherine S. Bulkens, 937 Tom Smith Rd., Lilburn, Ga. 30247

[57] CLAIM

The ornamental design for a trash can with lid, as shown and described.

[**] Term: 14 Years

DESCRIPTION

[21] Appl. No.: 154,614

[22] Filed: Feb. 10, 1988

[52] U.S. Cl. D34/11; D34/7

[58] Field of Search D34/1, 8, 7, 10, 11; 220/1 T, 337, 334, 335, 18; 232/1 R; 248/95, 98, 99

FIG. 1 is a perspective view of a trash can with lid showing my new design, the lid of the trash can being elevated from the trash can for clarity of illustration; FIG. 2 is a top plan view of the trash can taken along line 2—2 of FIG. 1; FIG. 3 is a front elevational view of FIG. 2; FIG. 4 is a bottom plan view of FIG. 2; FIG. 5 is a rear elevational view of FIG. 2; FIG. 6 is a left side elevational view of FIG. 2; FIG. 7 is a right side elevational view of FIG. 2; FIG. 8 is a top plan view of the lid taken along line 8—8 of FIG. 2; FIG. 9 is a front elevational view of FIG. 8; FIG. 10 is a bottom plan view of FIG. 8; FIG. 11 is a rear elevational view of FIG. 8; FIG. 12 is a right side elevational view of FIG. 8; and FIG. 13 is a left side elevational view of FIG. 8.

[56] References Cited

U.S. PATENT DOCUMENTS

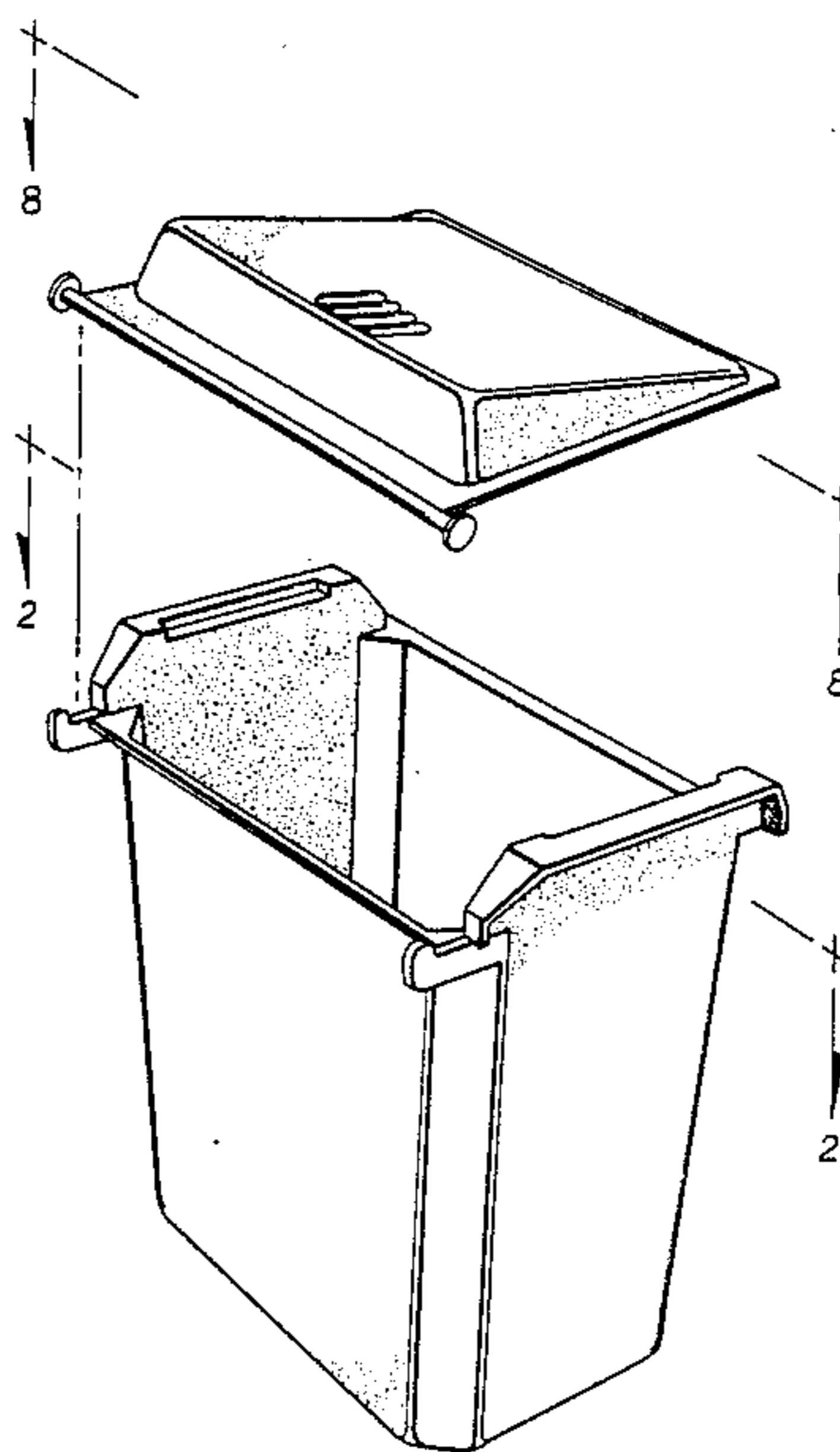
D. 241,112 8/1976 Raftery D34/8
4,776,478 10/1988 Miller et al. D34/8

FOREIGN PATENT DOCUMENTS

2166040 of 1986 United Kingdom D34/8

Primary Examiner—Wallace R. Burke

Assistant Examiner—Kay H. Chin



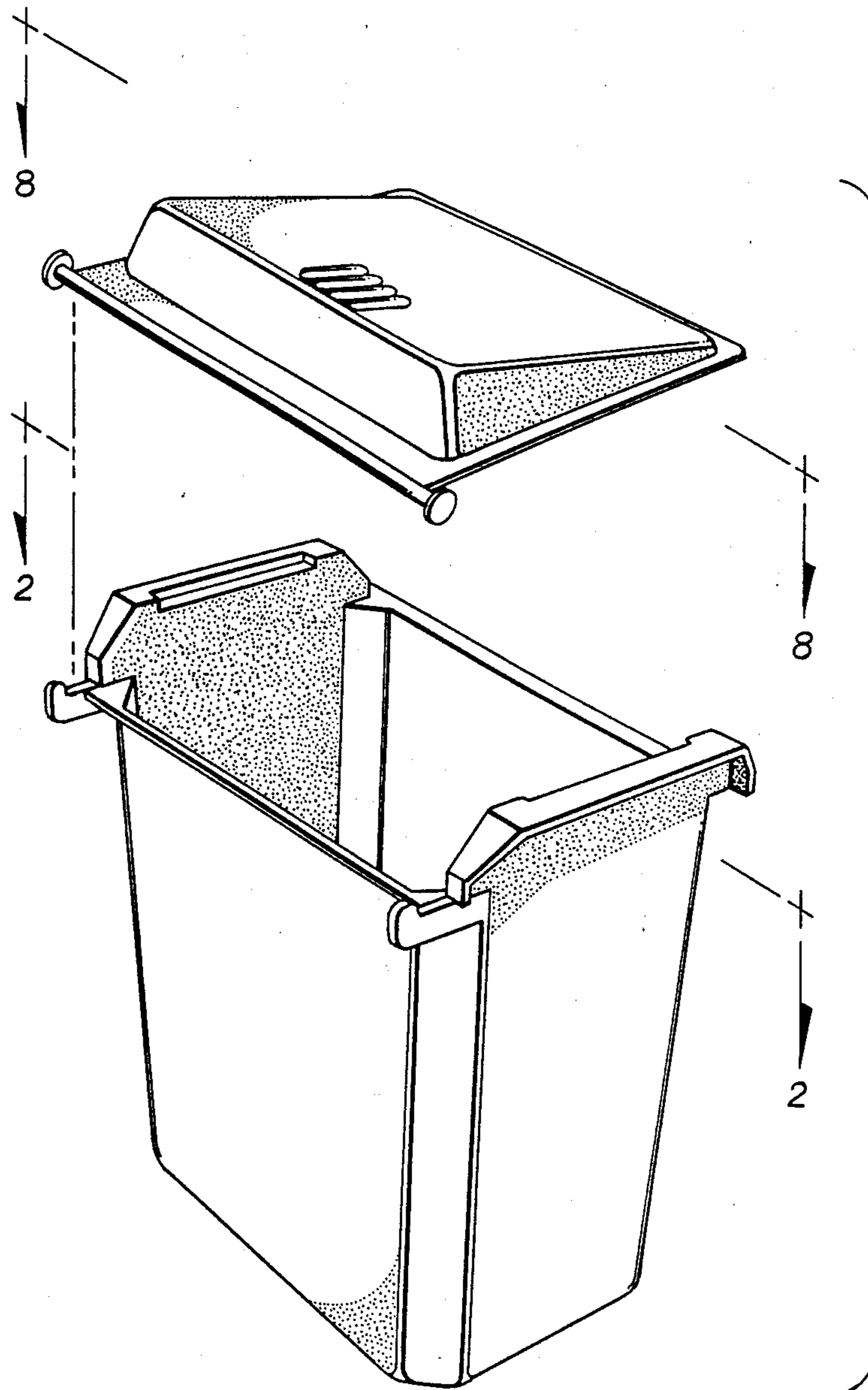


Fig. 1

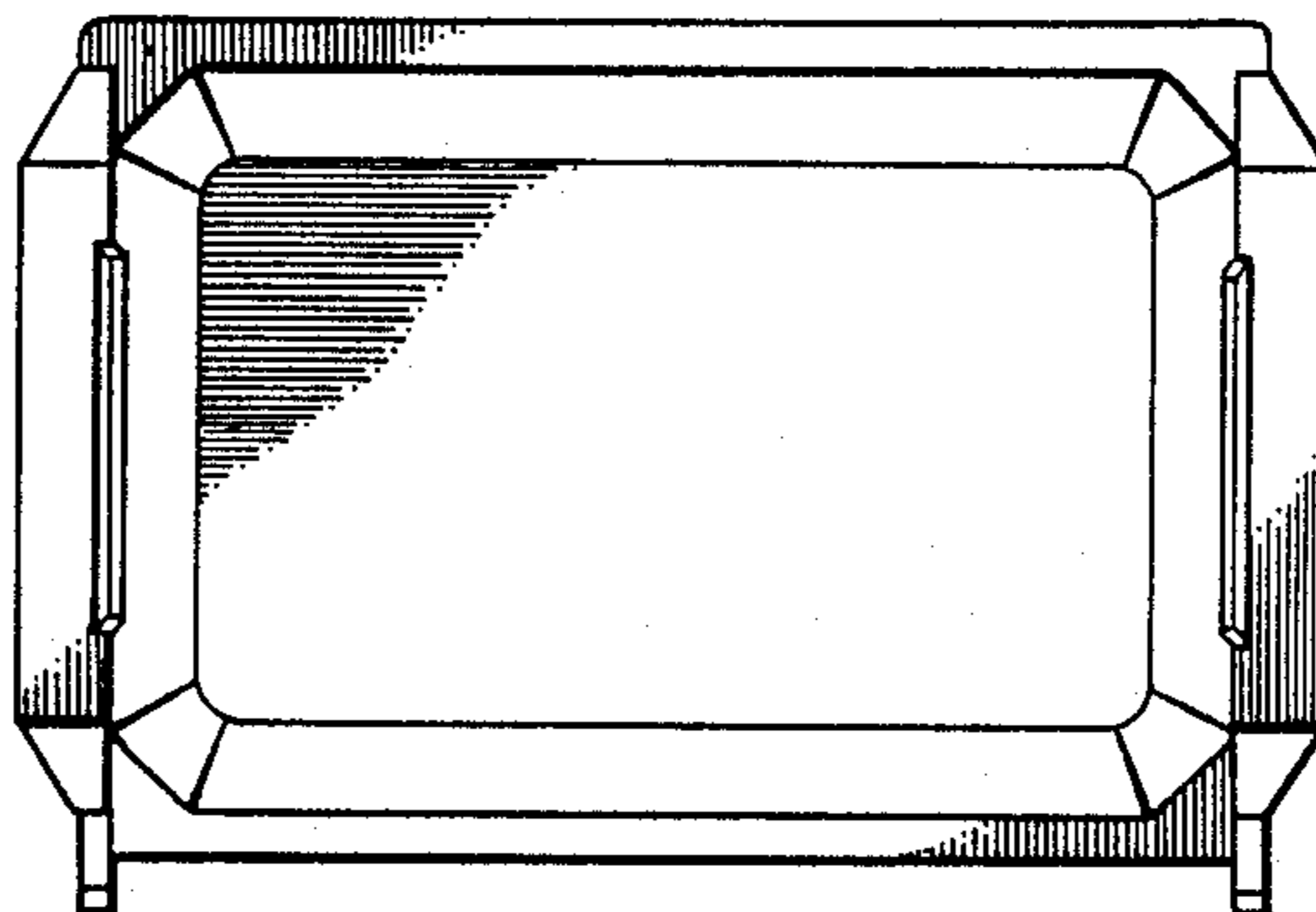


Fig. 2

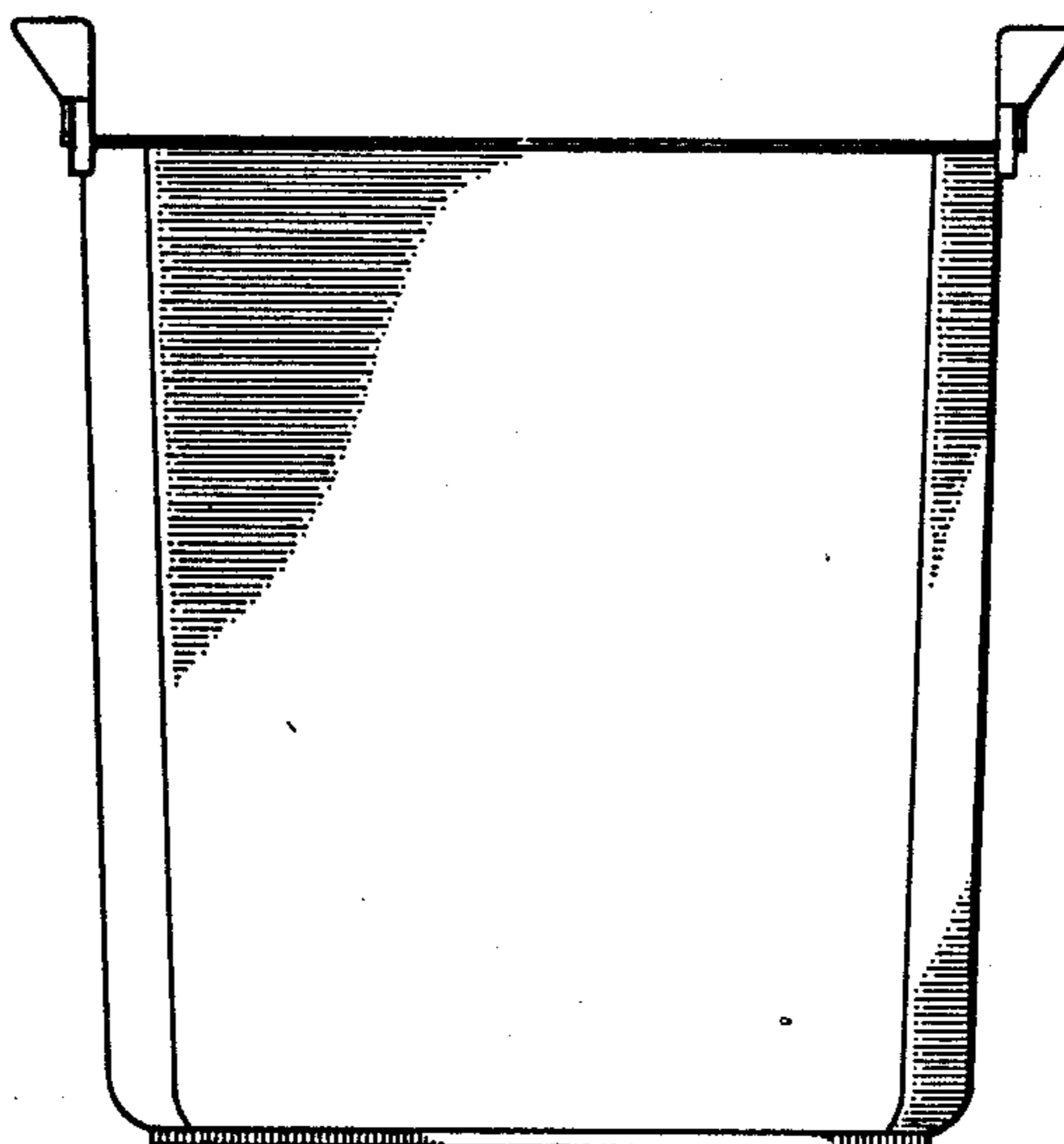


Fig. 3

Fig. 4

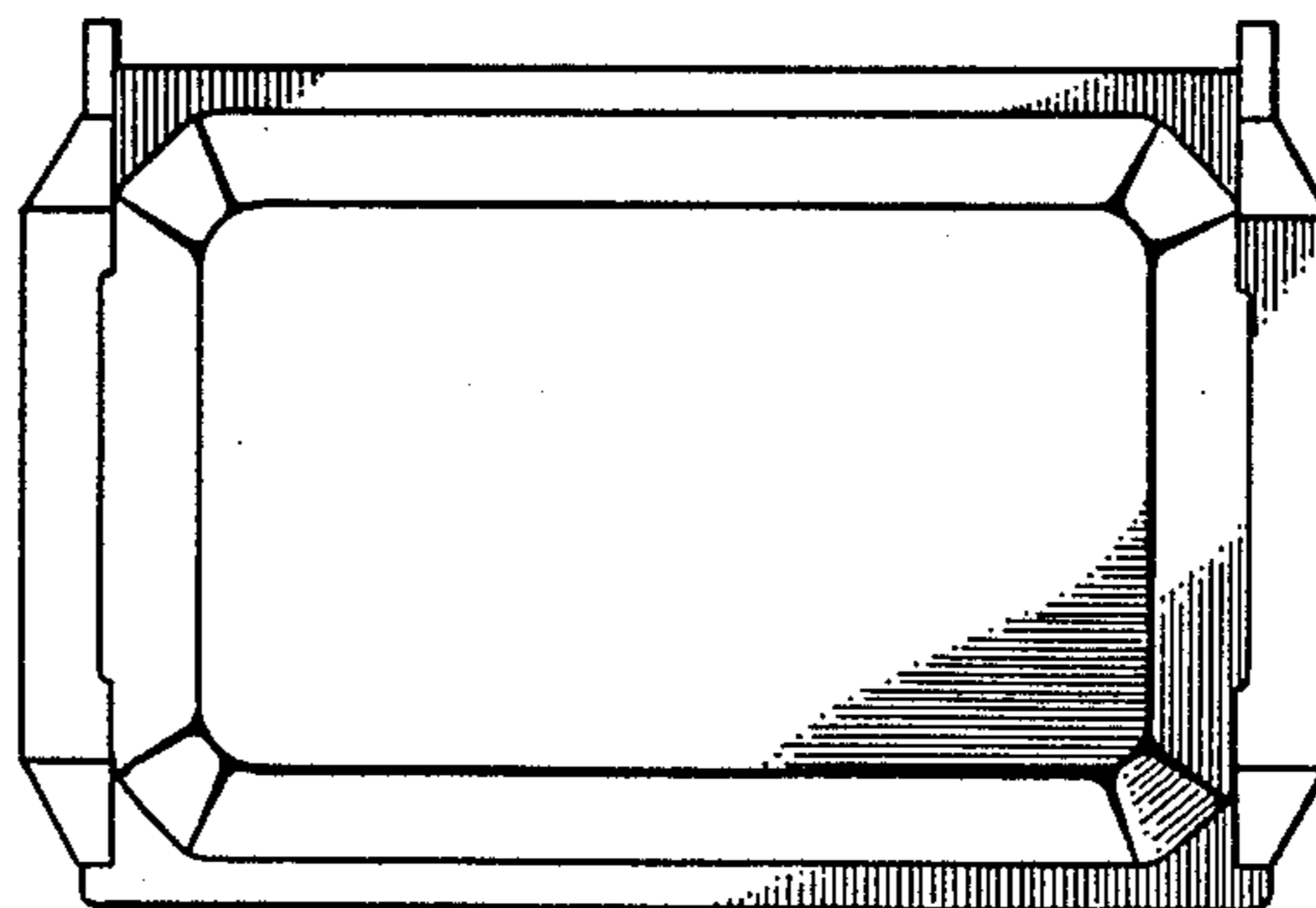


Fig. 5

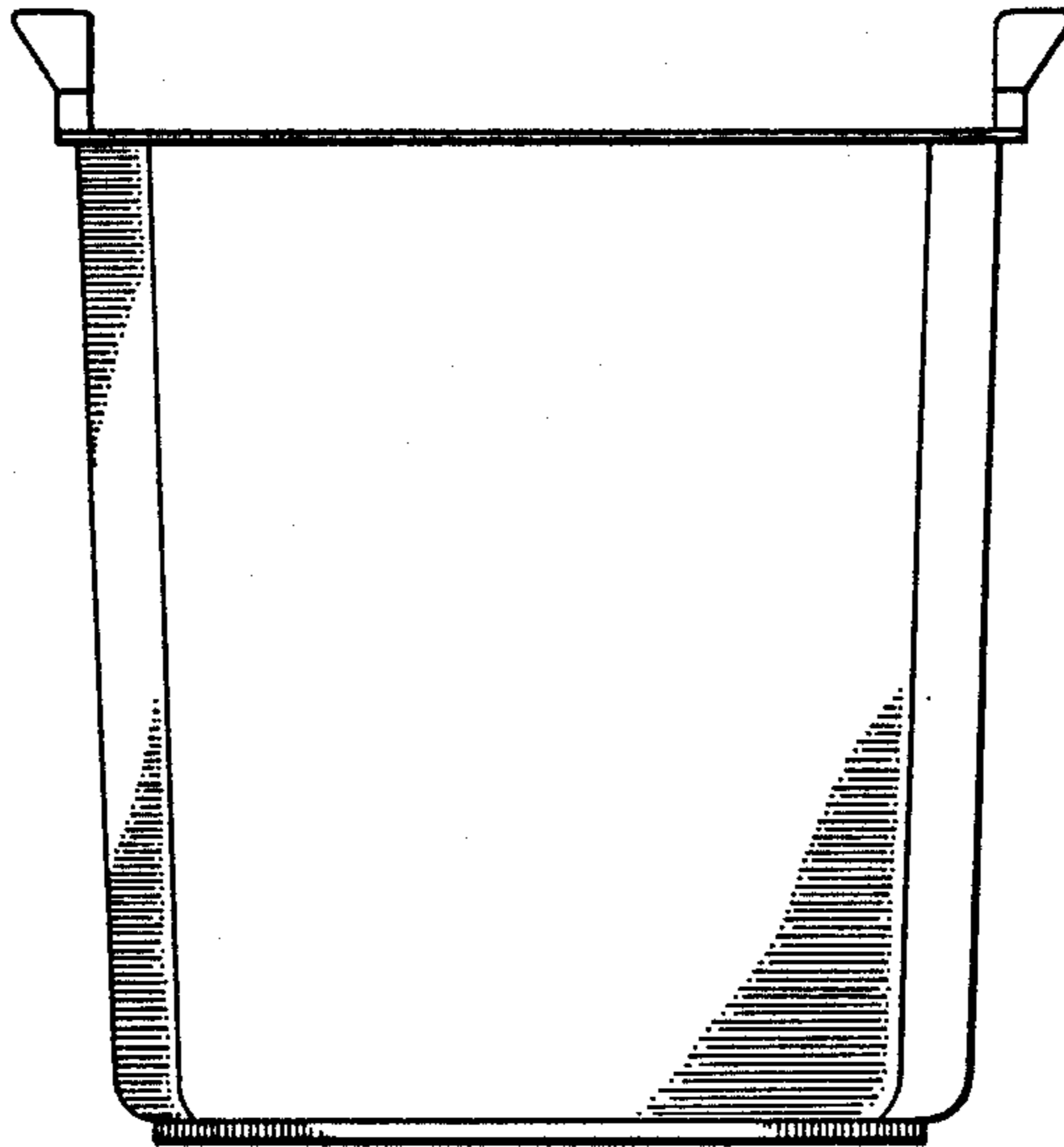


Fig. 6

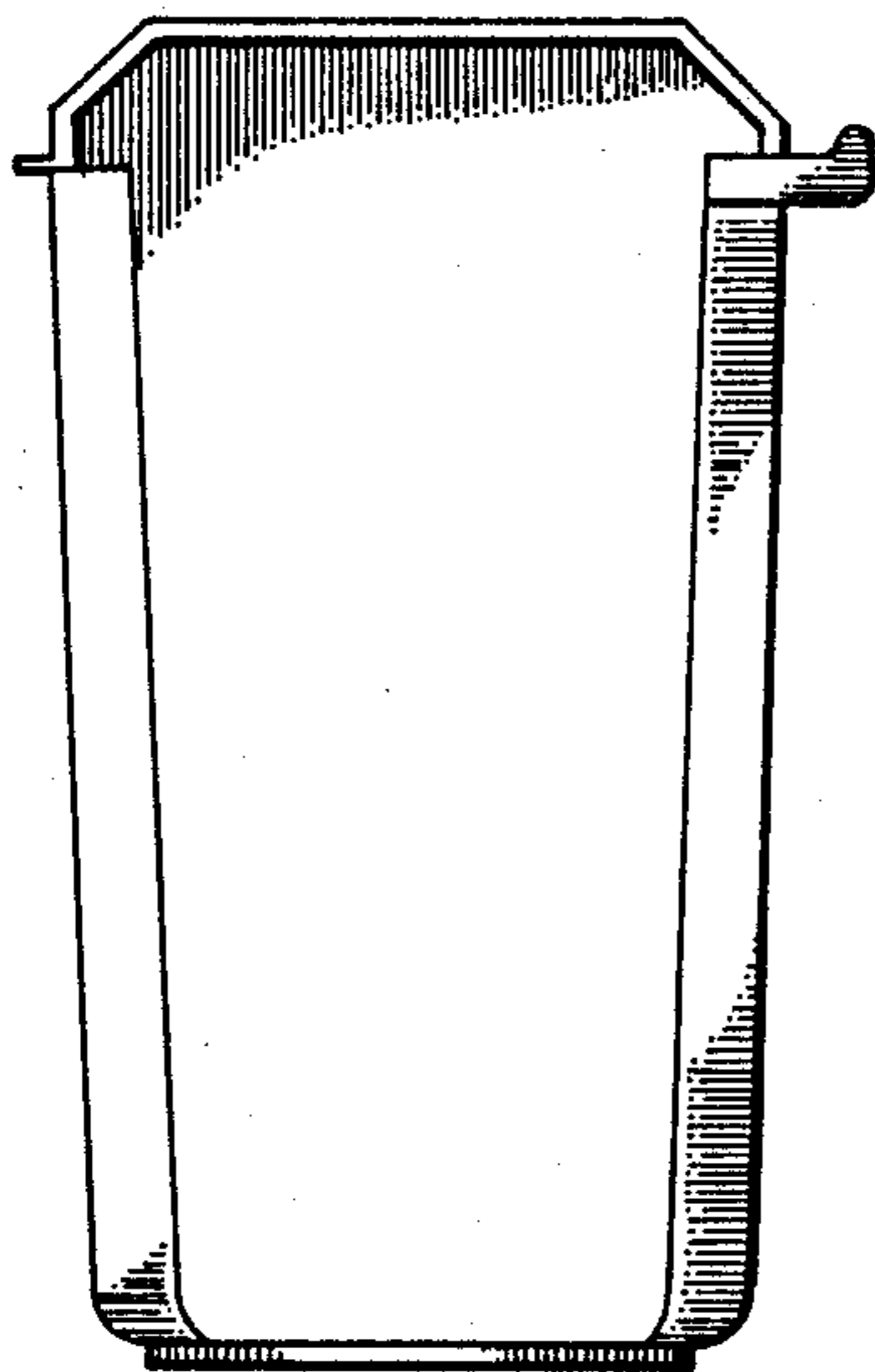
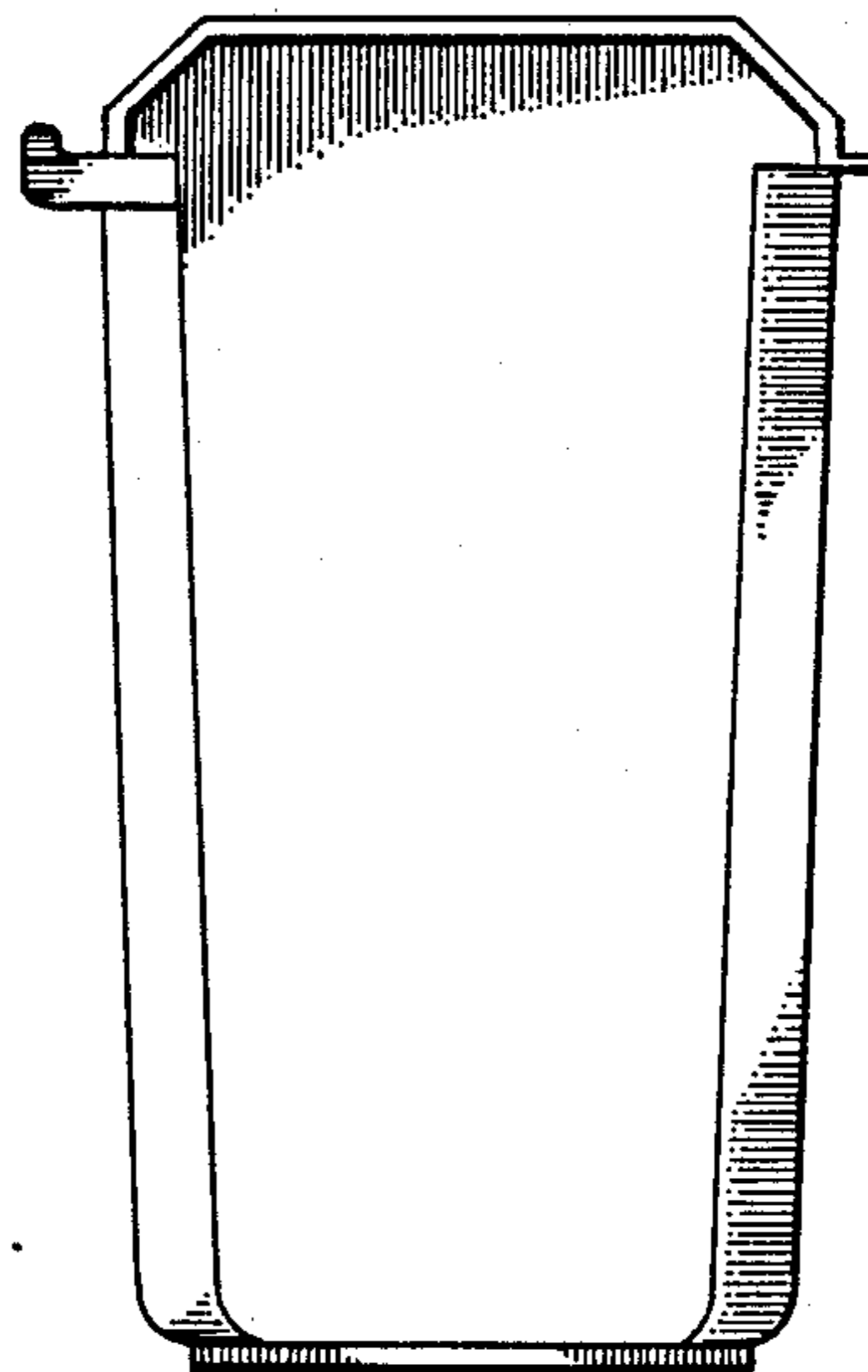


Fig. 7



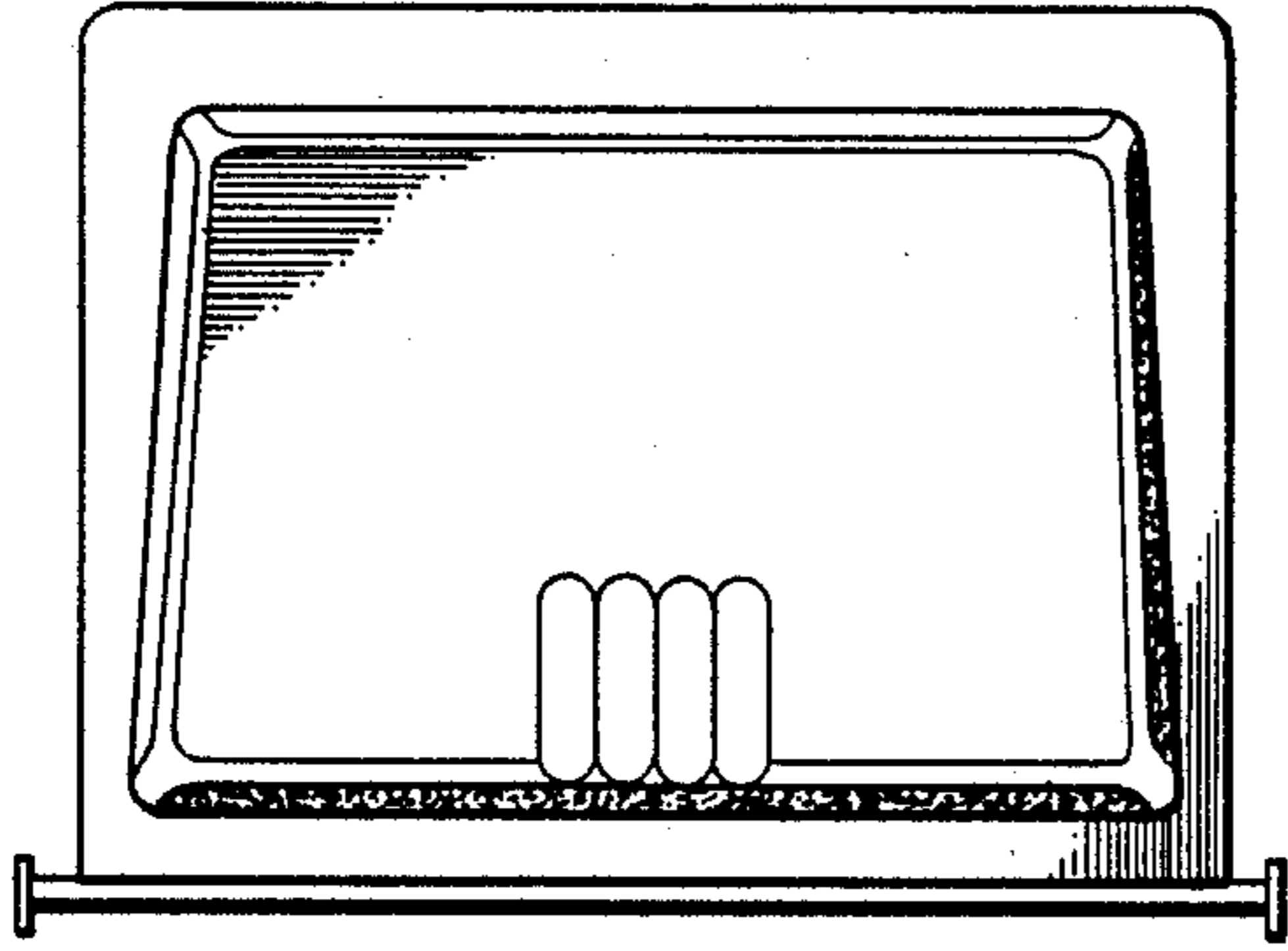


Fig. 8



Fig. 11

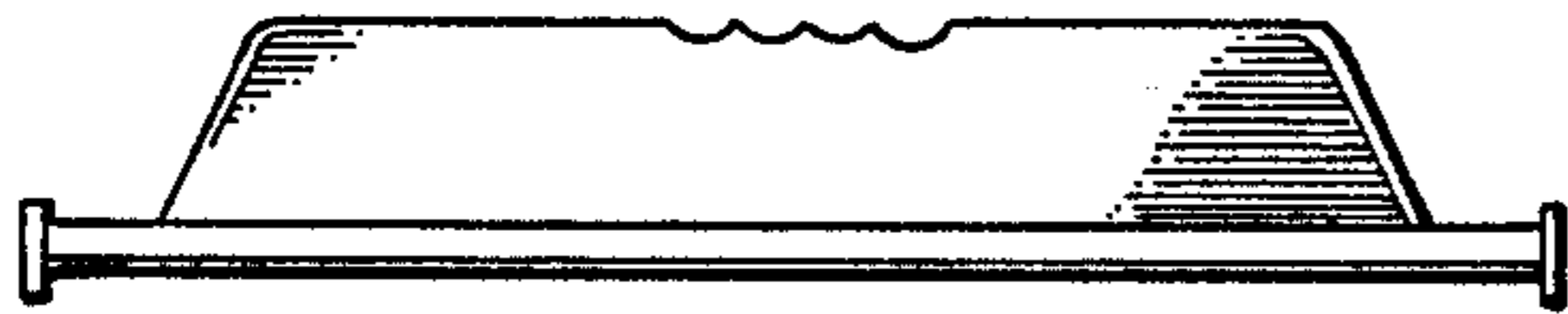


Fig. 9

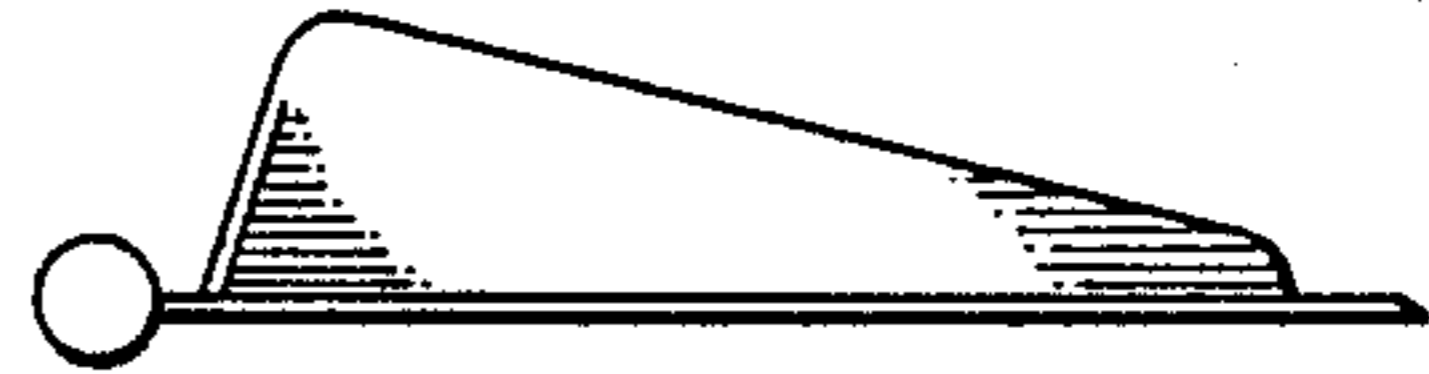


Fig. 12

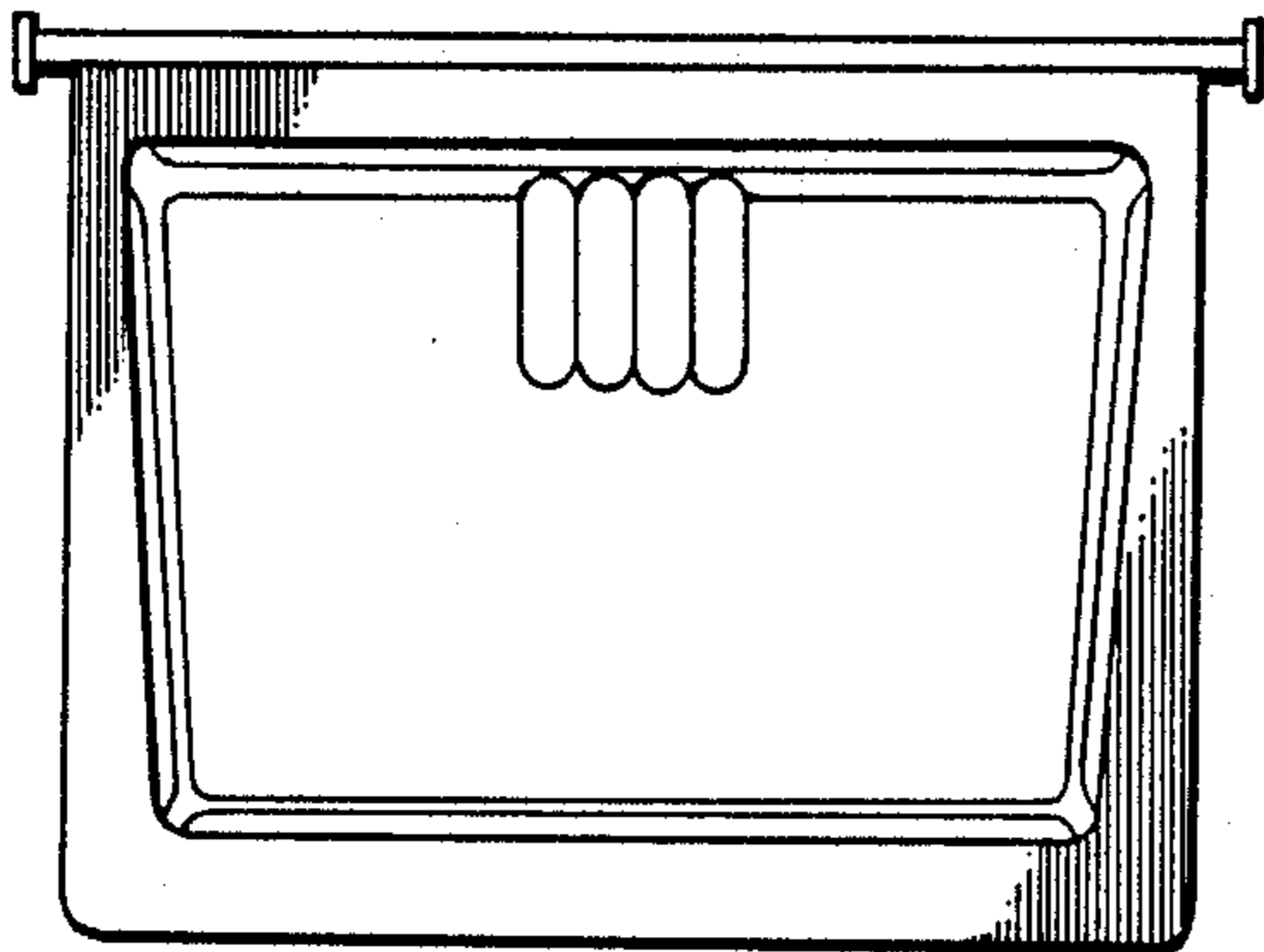


Fig. 10

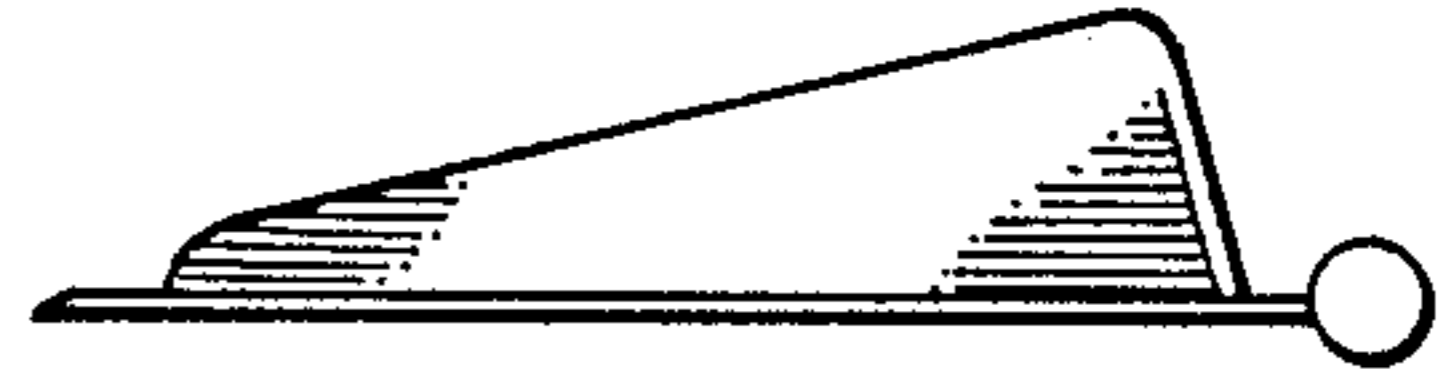


Fig. 13