

[54] COMBINED MOP HANDLE AND MOP HOLDER

[75] Inventor: Koji Tsukamoto, Osaka, Japan

[73] Assignee: Yamazaki Corporation, Osaka, Japan

[\*\*] Term: 14 Years

[21] Appl. No.: 98,053

[22] Filed: Sep. 17, 1987

[52] U.S. Cl. .... D32/51

[58] Field of Search ..... D32/35, 40-45, D32/50-52; 15/115, 116.1, 116.2, 119 R, 119 A, 120 R, 120 A, 143 R, 143 B, 144 R, 144 A, 144 B, 145-146, 147 R, 147 A, 147 B, 147 C, 147 D, 148-154, 228, 229.1-229.9, 176.1-176.6

[56] References Cited

U.S. PATENT DOCUMENTS

2,444,758	7/1948	Stillbach	.....	15/153 X
2,691,183	10/1954	Osaka	.....	15/118
3,008,166	11/1961	Lay	.....	15/229.2
4,015,305	4/1977	Komatsu	.....	15/150
4,524,479	6/1985	Wright	.....	15/229.2

Primary Examiner—Susan J. Lucas  
 Assistant Examiner—Lavone D. Tabor  
 Attorney, Agent, or Firm—Wenderoth, Lind & Ponack

[57] CLAIM

The ornamental design for a combined mop handle and mop holder, as shown and described.

DESCRIPTION

FIG. 1 is a front elevational view of a combined mop handle and mop holder showing our new design; FIG. 2 is a top plan view thereof; FIG. 3 is a bottom plan view thereof; FIG. 4 is a left side elevational view thereof; FIG. 5 is a right side elevational view thereof; FIG. 6 is an enlarged sectional view thereof taken along the line 6—6 of FIG. 1; FIG. 7 is a reduced top perspective view thereof; FIG. 8 is an enlarged, exploded top perspective view thereof, shown with the bracket removed from the holder; and FIG. 9 is a greatly enlarged, exploded bottom perspective view thereof. The mop handle is partially shown in FIGS. 8 and 9 for ease of illustration.

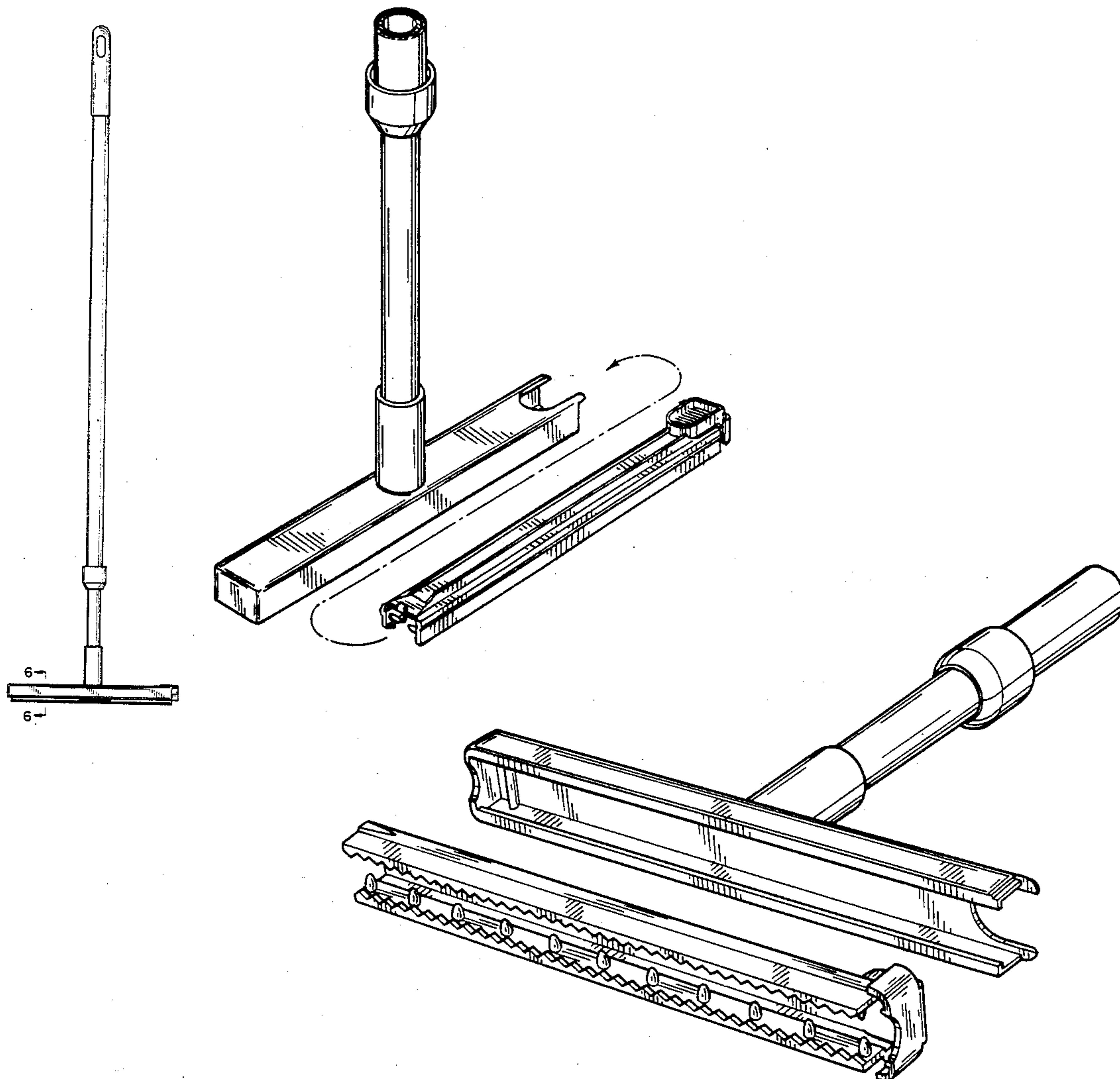


FIG. 1

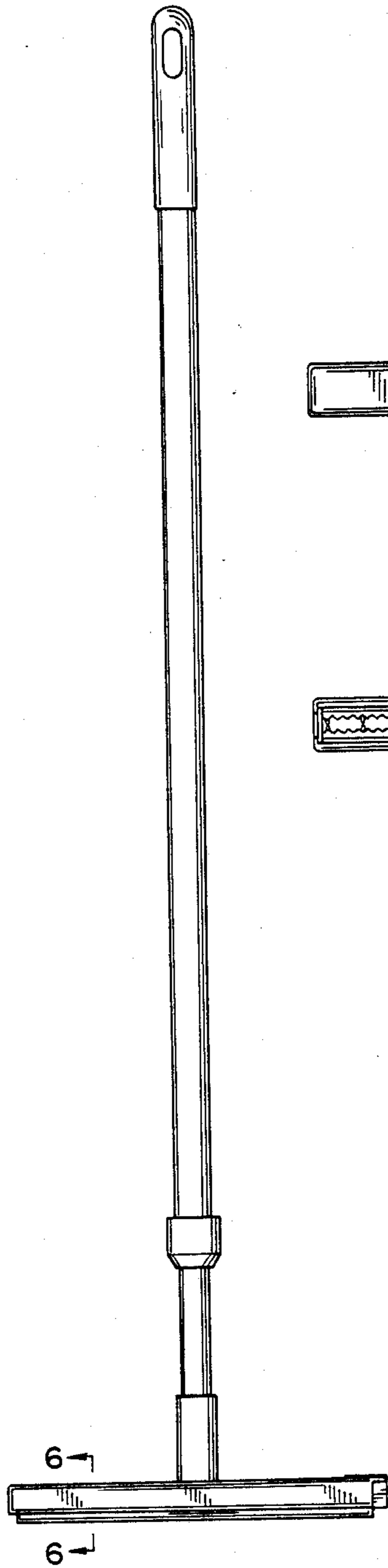


FIG. 2



FIG. 3

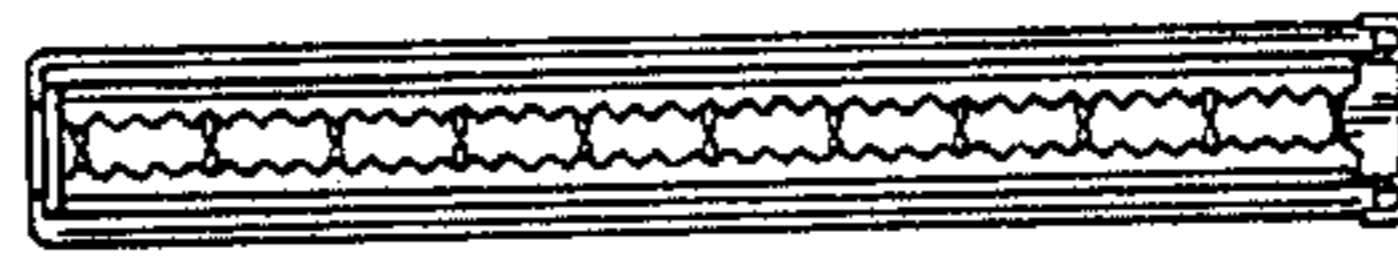


FIG. 6

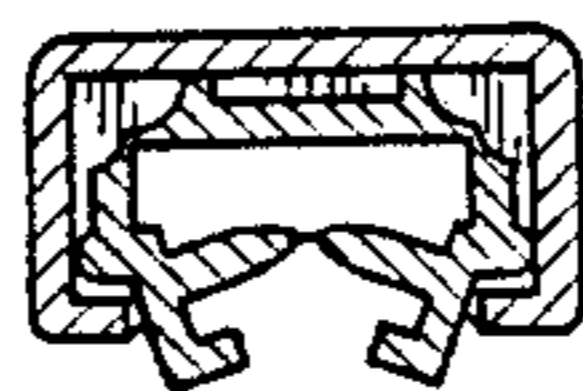


FIG. 4

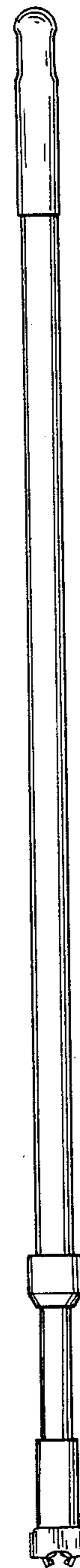


FIG. 5

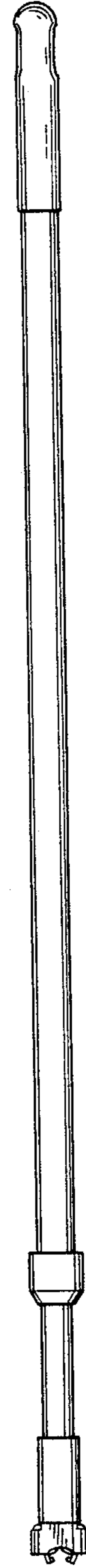


FIG. 7

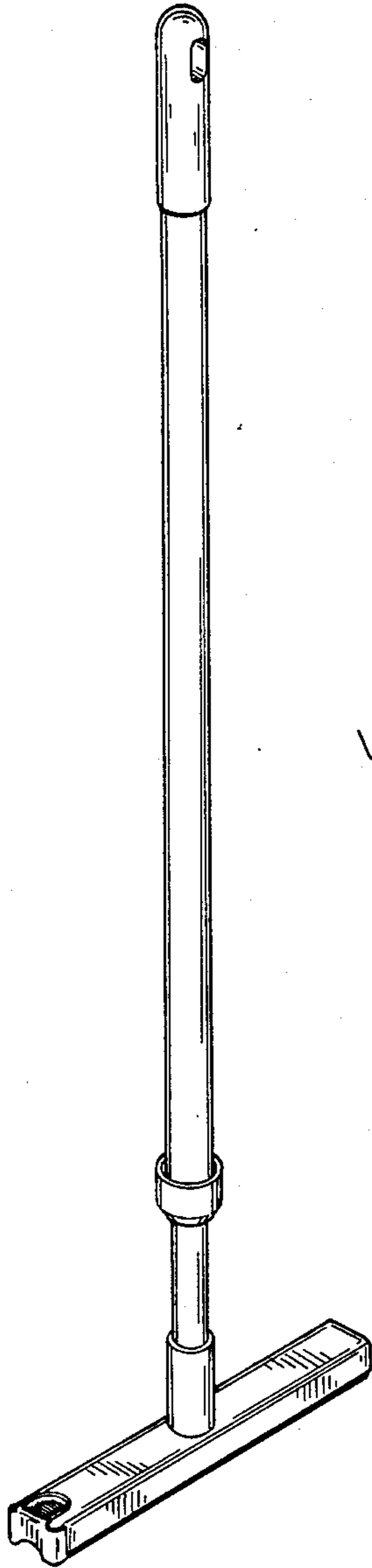


FIG. 8

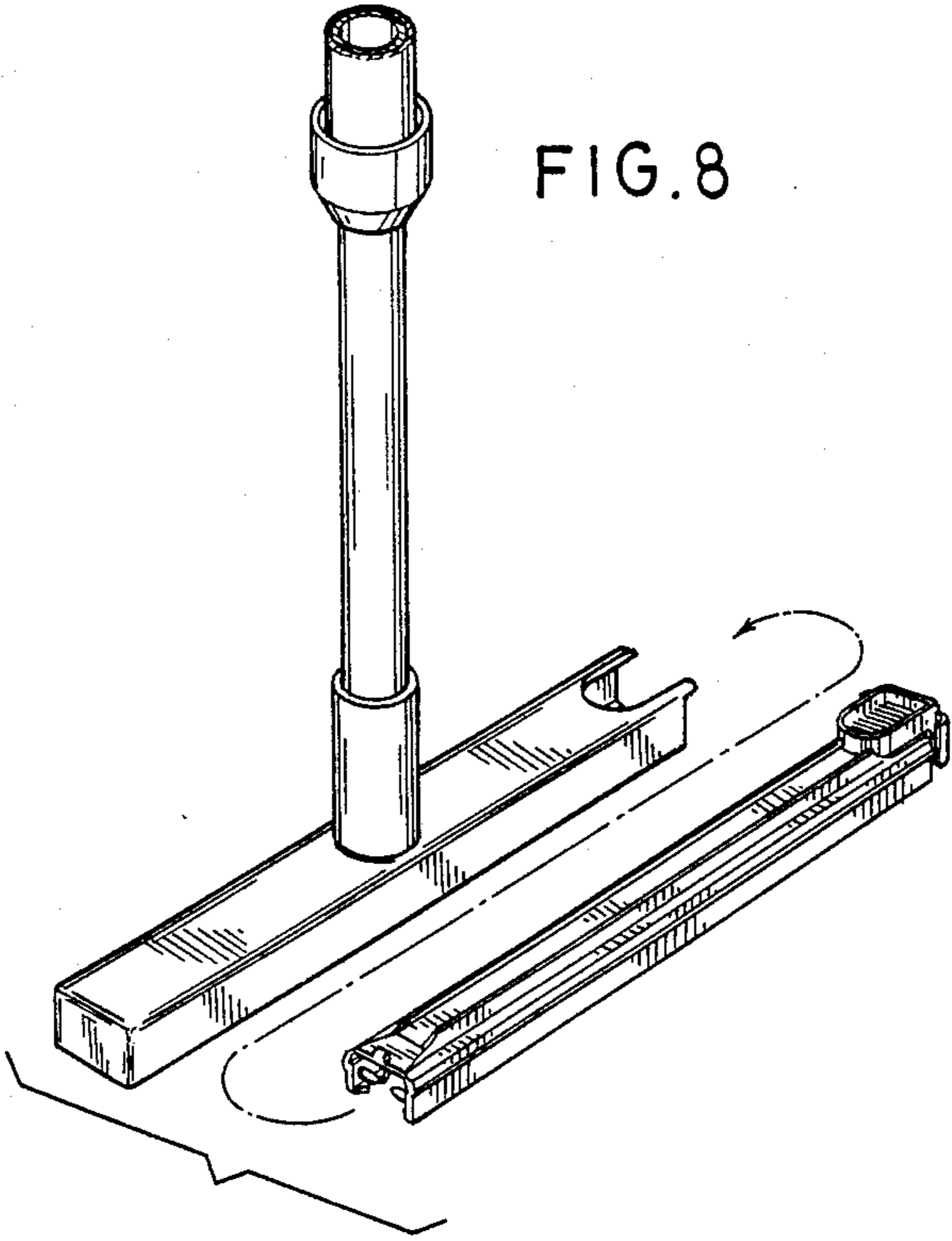


FIG. 9

