

[54] DETERGENT DISPENSER

[75] Inventor: David L. Nystuen, Bloomington, Minn.

[73] Assignee: Ecolab Inc., St. Paul, Minn.

[**] Term: 14 Years

[21] Appl. No.: 78,075

[22] Filed: Jul. 27, 1987

[52] U.S. Cl. D32/3

[58] Field of Search D32/1-3, D32/25, 30; 134/93-94, 96, 56 D, 57 D, 58 D, 60-61; 422/106

[56] References Cited

U.S. PATENT DOCUMENTS

D. 73,594	10/1887	Worth .	
D. 148,048	12/1947	Burger	D58/26
D. 219,167	11/1970	Rissolo	D32/1
D. 231,903	6/1974	Berman	D9/1
D. 238,322	1/1976	Kulhanjian	D23/2
D. 248,103	6/1978	Larson et al.	D32/3
D. 264,215	5/1982	Kaplan et al.	D15/8
D. 285,538	9/1986	Trumstedt	D9/408

OTHER PUBLICATIONS

Ecolab Inc. Solid Spot Free Advertisement, No. 18385/0401/0187, Jan., 1987.

Ecolab Inc. Solid Brite Advertisement, No. 191116/0400/0487, Apr., 1987.

Ecolab Inc. Product and Equipment Profiles, No. 5433/0415,0587, May, 1987, pp. 9 and 13.

Primary Examiner—A. Hugo Word

Assistant Examiner—Ruth McInroy

Attorney, Agent, or Firm—Merchant, Gould, Smith, Edell, Welter & Schmidt

[57] CLAIM

The ornamental design for detergent dispenser, as shown and described.

DESCRIPTION

FIG. 1 is a perspective view of a detergent dispenser showing my new design;

FIG. 2 is a right side elevational view thereof;

FIG. 3 is a left side elevational view thereof;

FIG. 4 is a front elevational view thereof;

FIG. 5 is a top plan view thereof;

FIG. 6 is a bottom plan view thereof; and

FIG. 7 is a rear elevational view thereof.

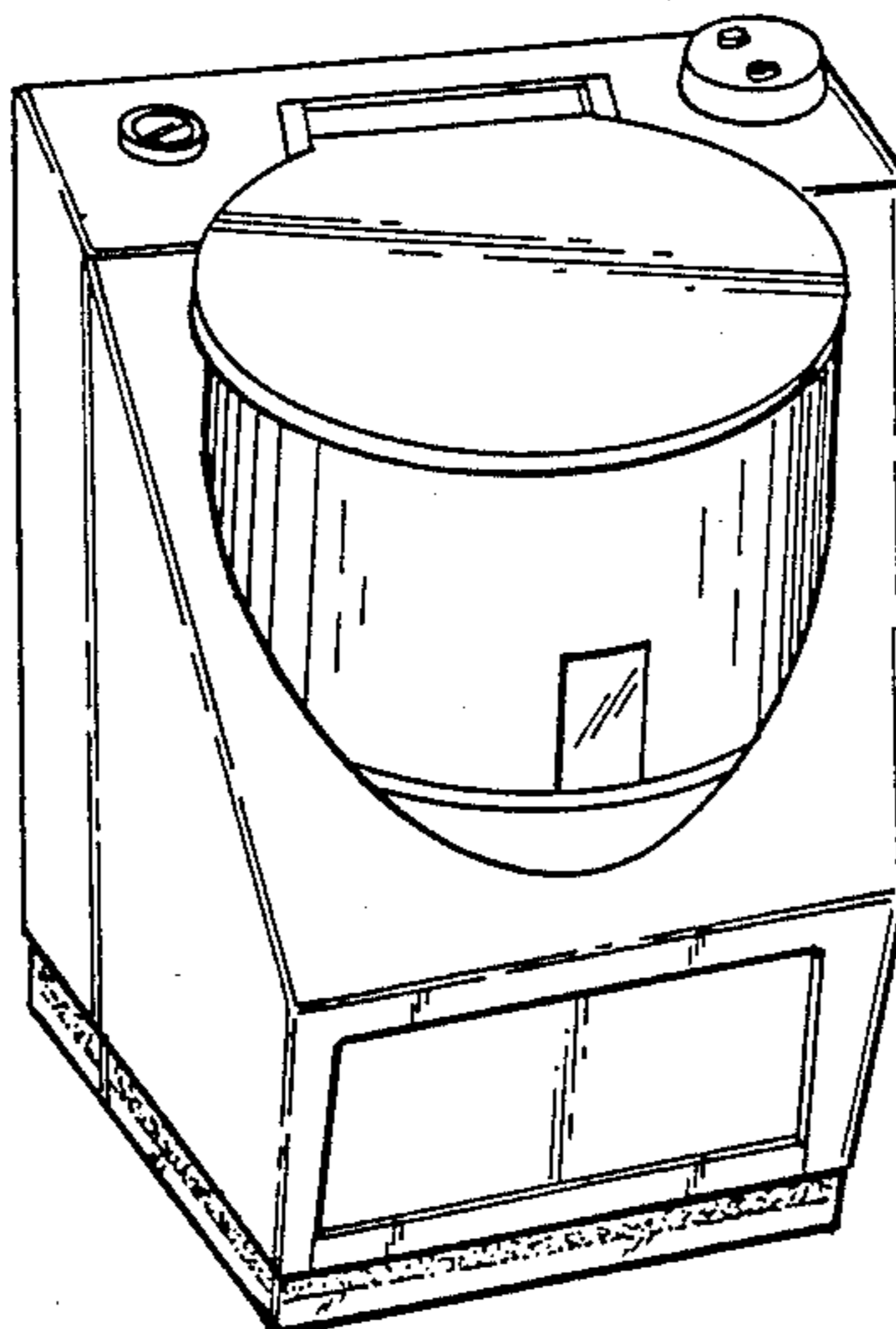


FIG. 1

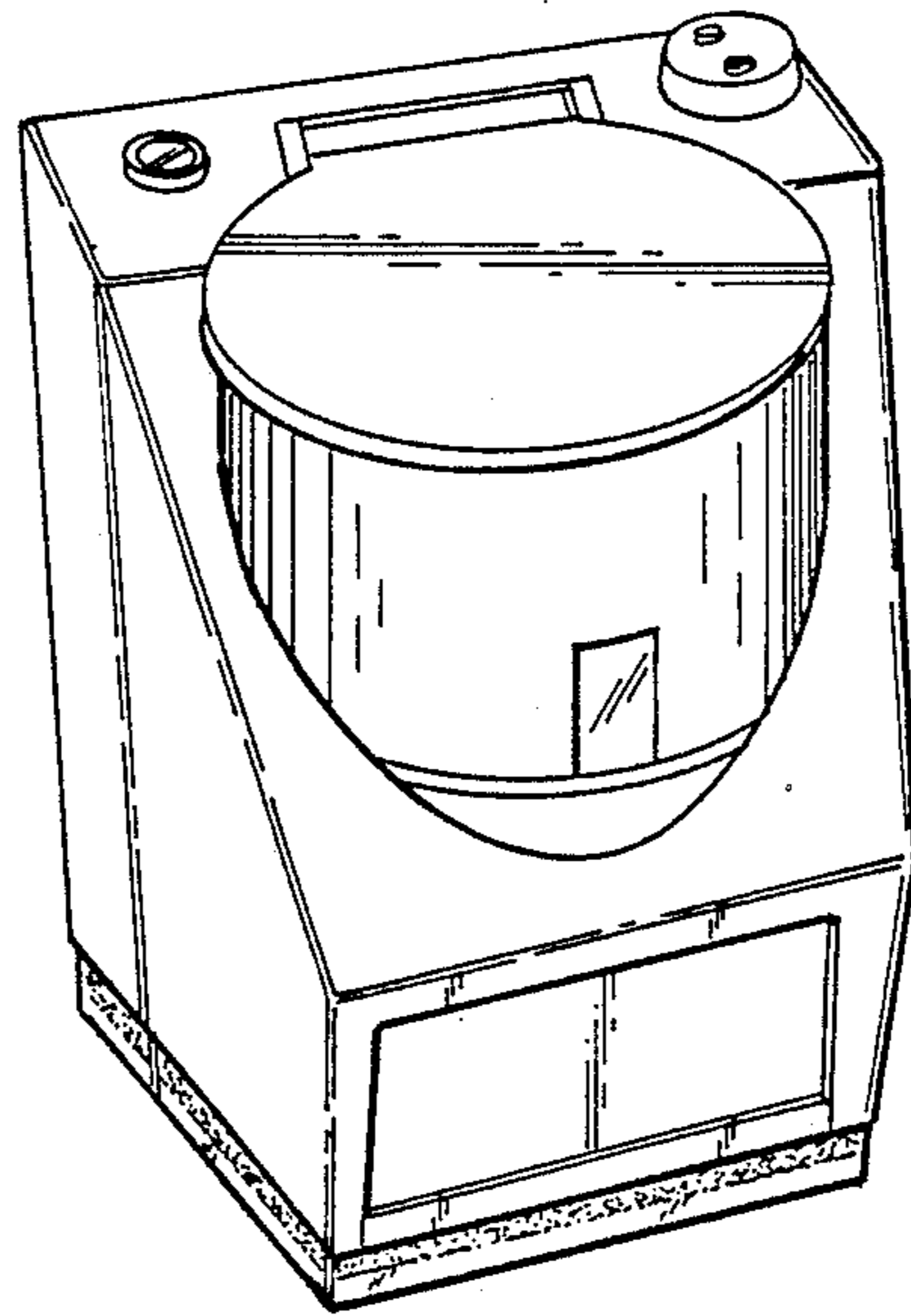


FIG. 2

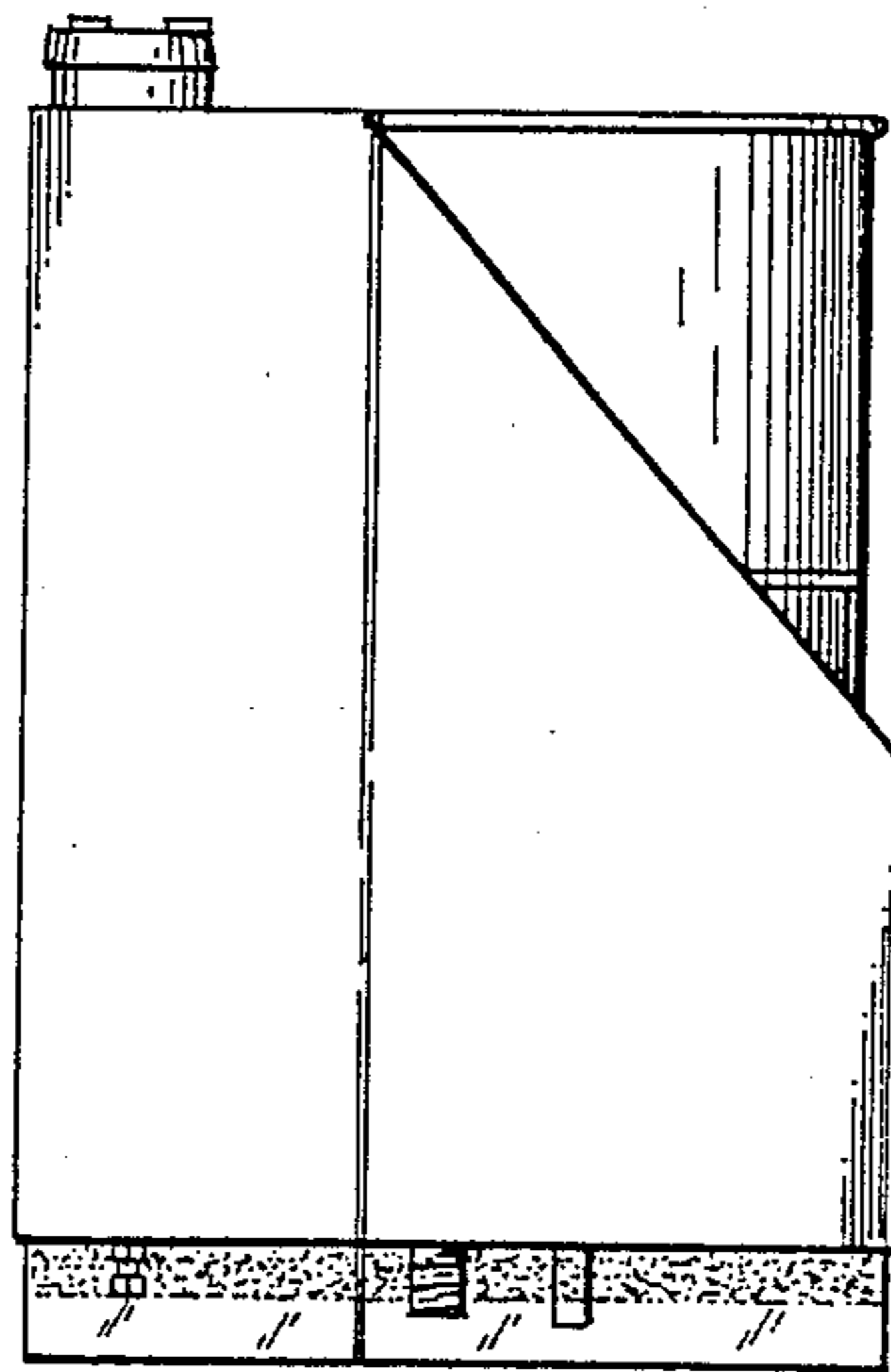


FIG. 3

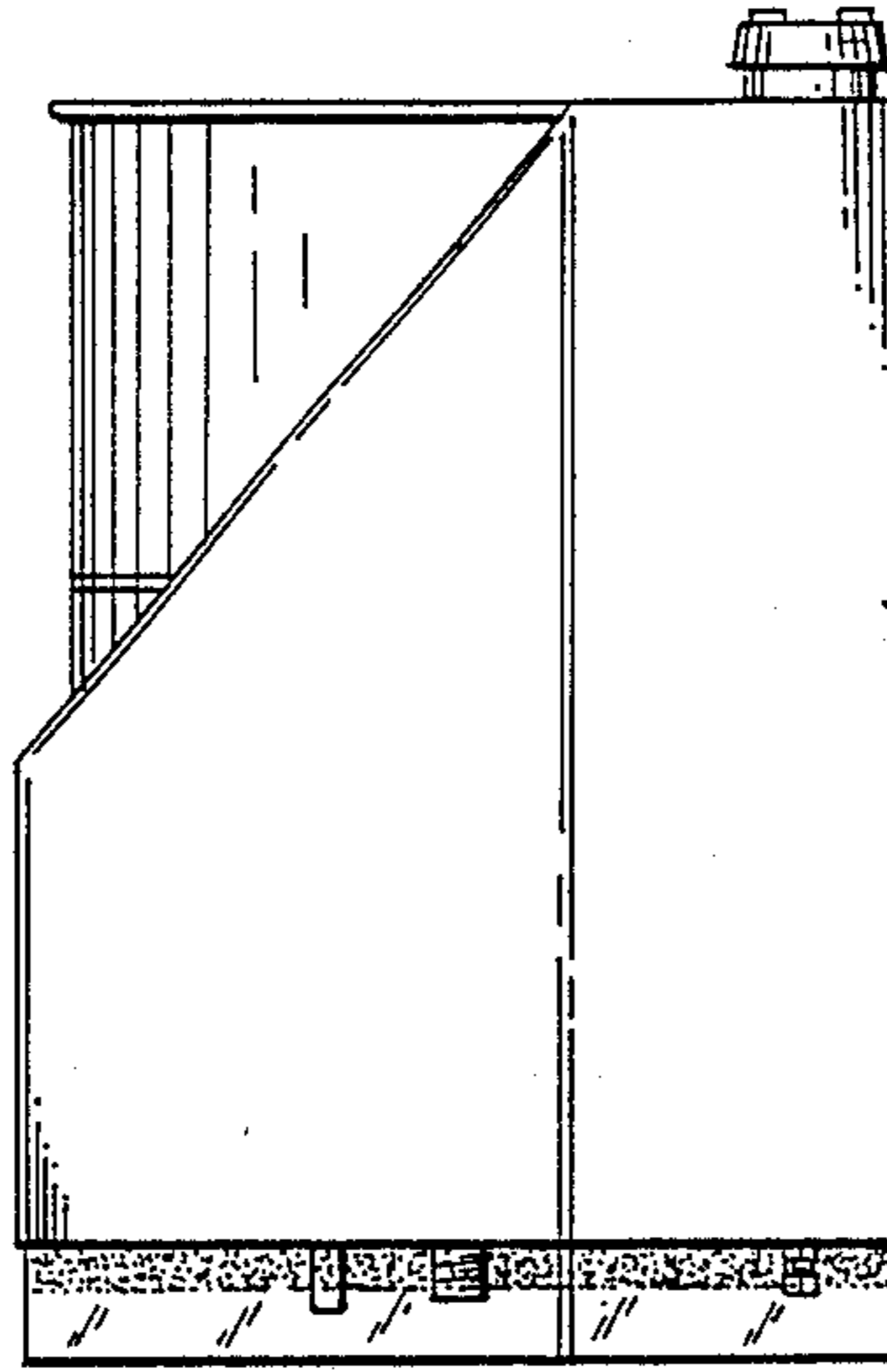


FIG. 4

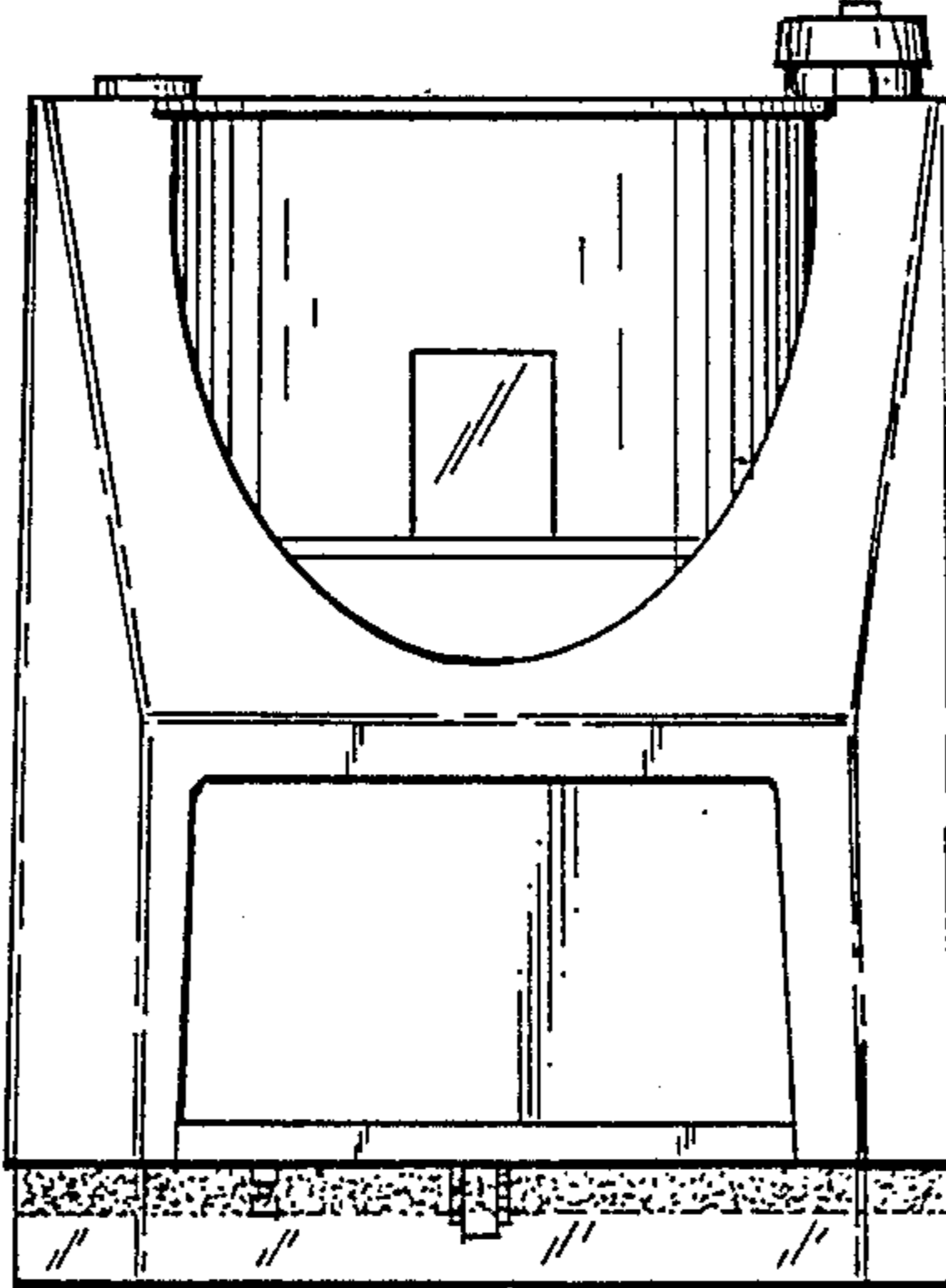


FIG. 5

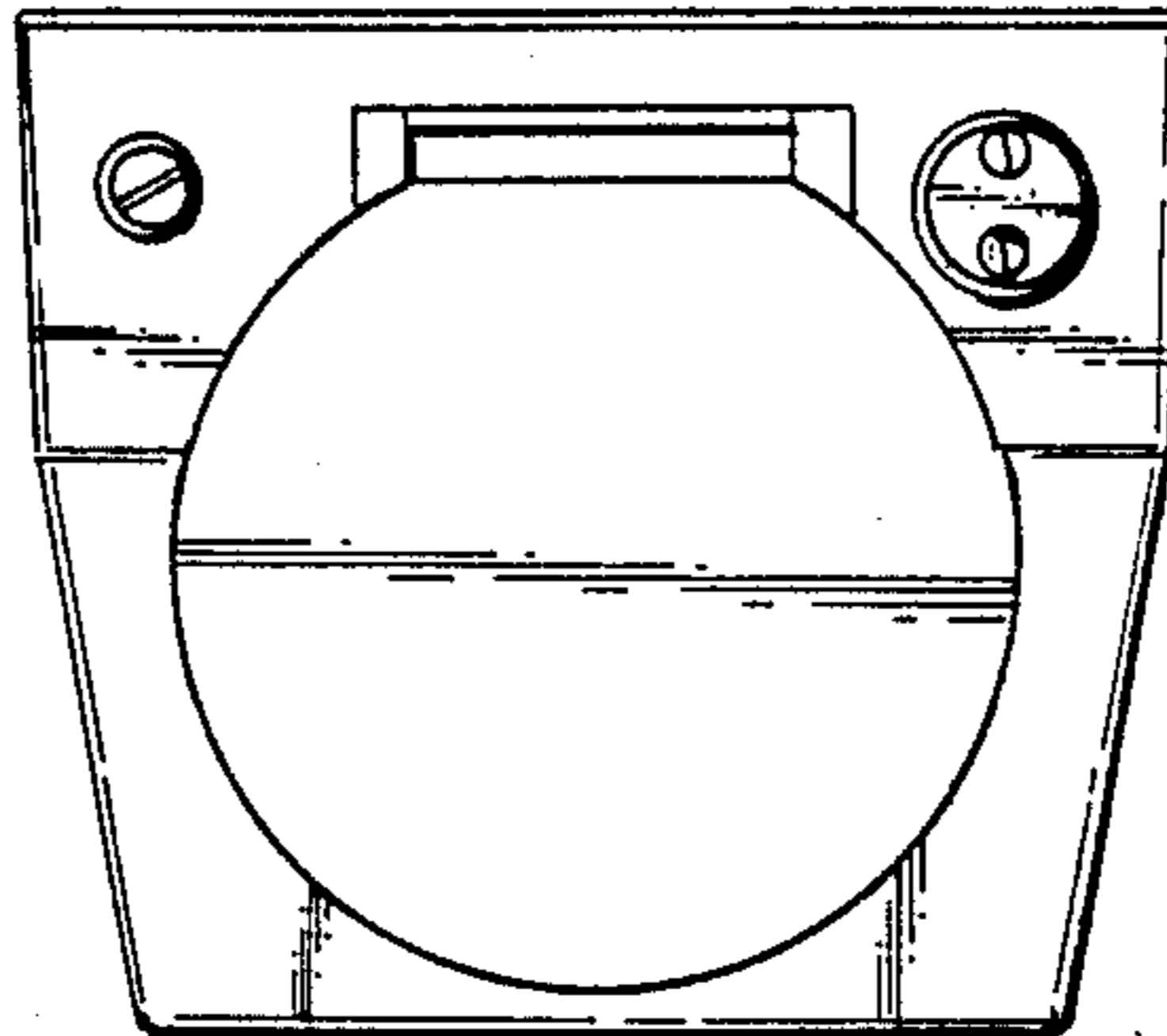


FIG. 6

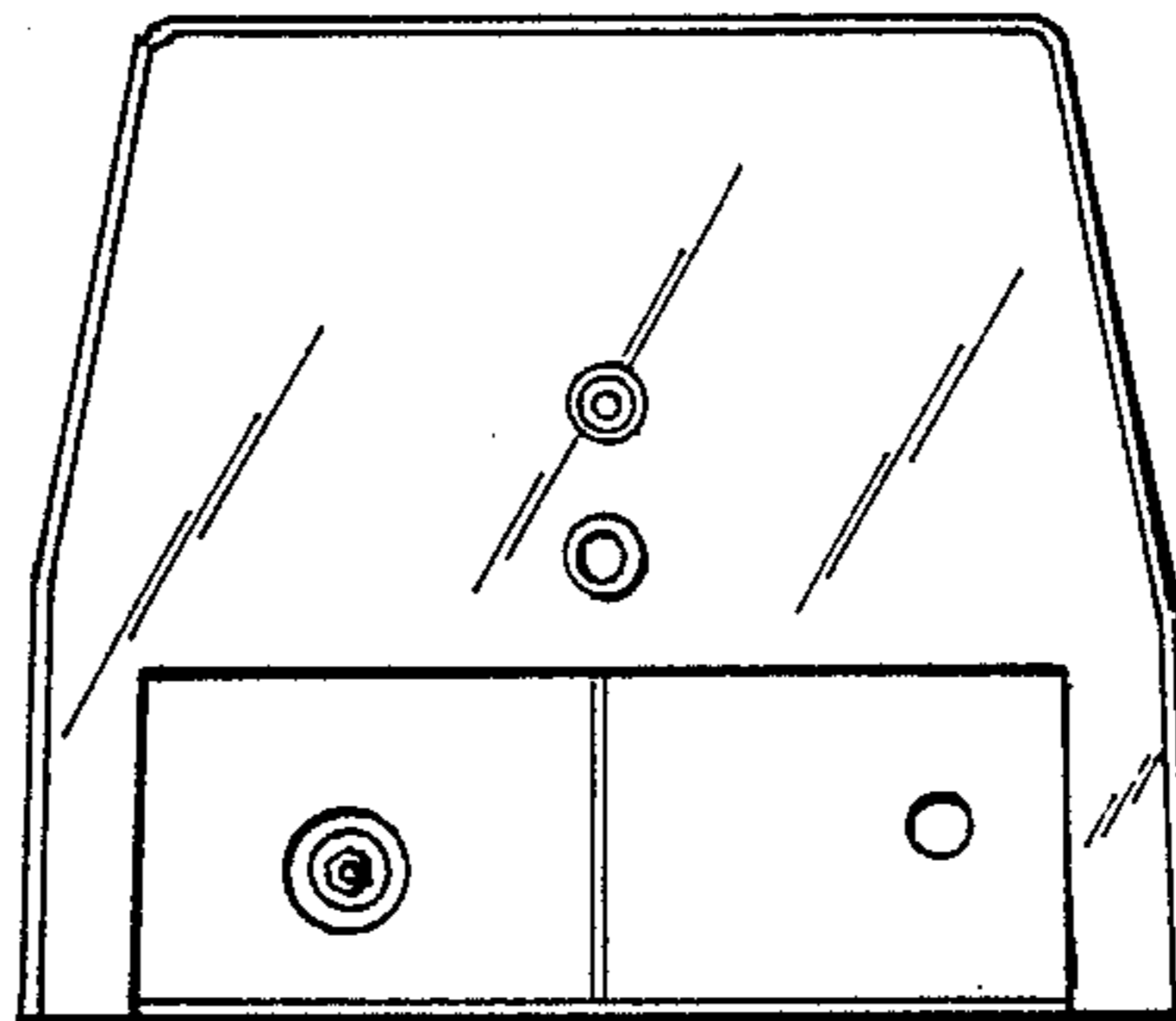


FIG. 7

