

United States Patent [19]

Dallaire et al.

[11] Patent Number: **Des. 308,729**

[45] Date of Patent: **** Jun. 19, 1990**

[54] WINDOW FRAME EXTRUSION

[75] Inventors: **Raymond Dallaire; Dominique Dallaire**, both of St. David, Canada

[73] Assignee: **P.H. Tech. Inc.**, Levis, Canada

[**] Term: **14 Years**

[21] Appl. No.: **273,508**

[22] Filed: **Nov. 21, 1988**

Related U.S. Application Data

[62] Division of Ser. No. 10,571, Feb. 3, 1987, Pat. No. D. 301,625.

[30] Foreign Application Priority Data

Aug. 8, 1986 [GB] United Kingdom 1035966
Aug. 14, 1986 [GB] United Kingdom 1036083

[52] U.S. Cl. **D25/124**

[58] Field of Search **D25/119-136,
D25/52**

[56] References Cited

U.S. PATENT DOCUMENTS

D. 245,709 9/1977 Dallaire **D25/119**
D. 290,172 6/1987 Hardy **D25/122**

Primary Examiner—A. Hugo Word

Attorney, Agent, or Firm—Perry Carvellas

[57] CLAIM

The ornamental design for a window frame extrusion, as shown and described.

DESCRIPTION

FIG. 1 is a front perspective view of a window frame extrusion, showing our new design; and, FIG. 2 is a rear perspective view thereof.

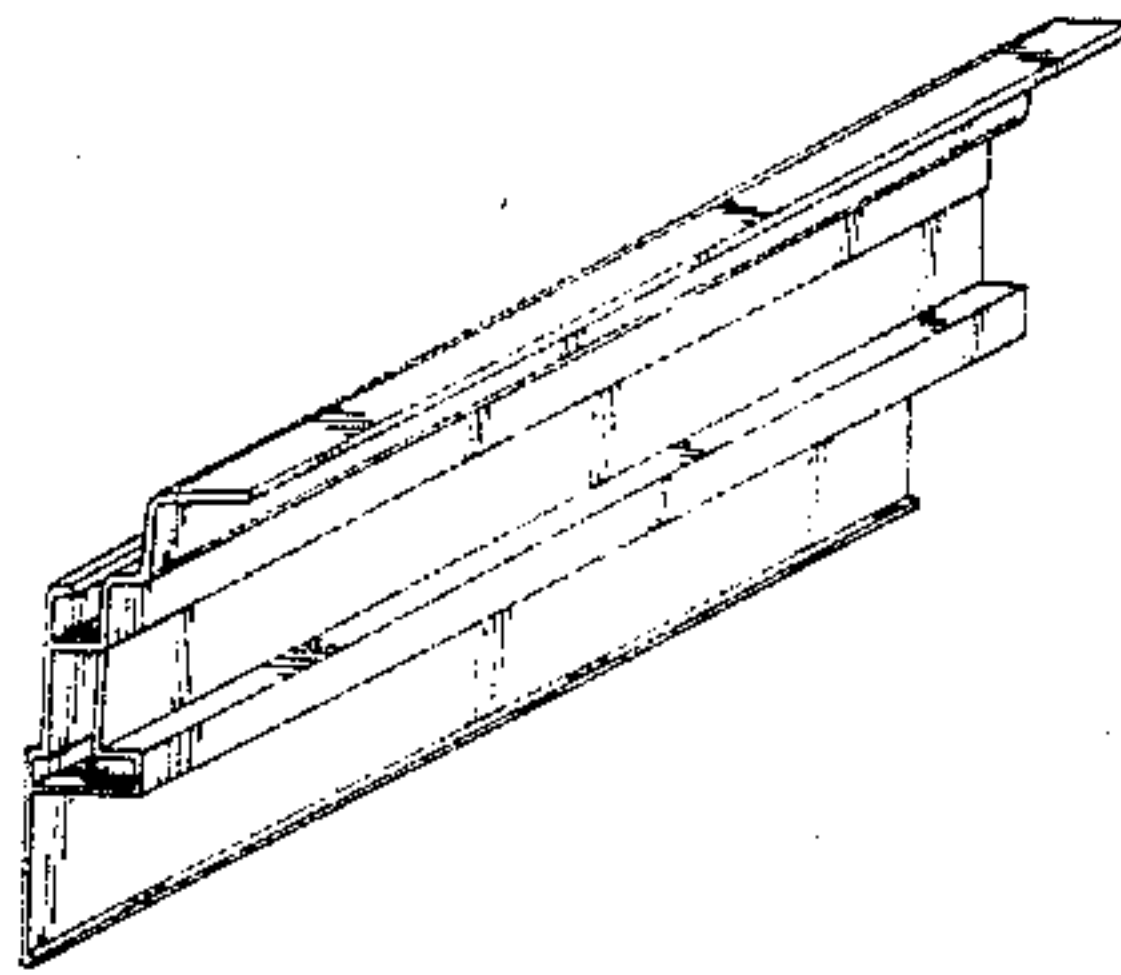


FIG. 1

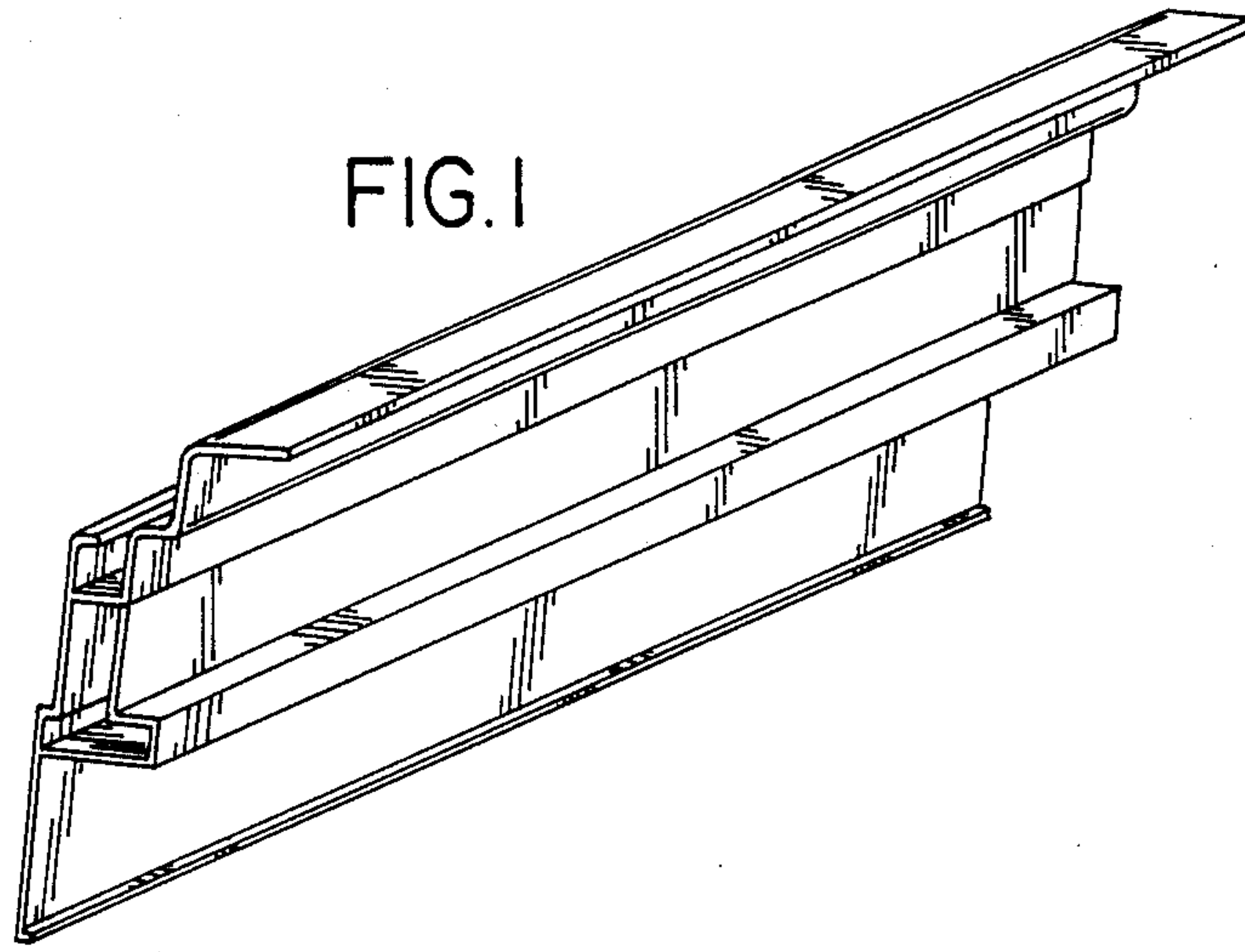


FIG. 2

