

[54] SAWHORSE

[76] Inventor: Andrew J. Carlson, 23 Pope St., Quincy, Mass. 02171

[**] Term: 14 Years

[21] Appl. No.: 377,310

[22] Filed: Jul. 10, 1989

[52] U.S. Cl. D25/67

[58] Field of Search D25/67; 182/181, 182, 182/183, 184, 185, 151

[56]

References Cited

U.S. PATENT DOCUMENTS

1,486,395	3/1924	Smithers	182/181
2,505,532	4/1950	Ernst	182/181
3,848,700	11/1974	Davis, Jr.	182/181
3,858,682	1/1975	Larson	182/181
4,429,765	2/1984	Garcia	182/181
4,515,243	5/1985	Prior	182/181

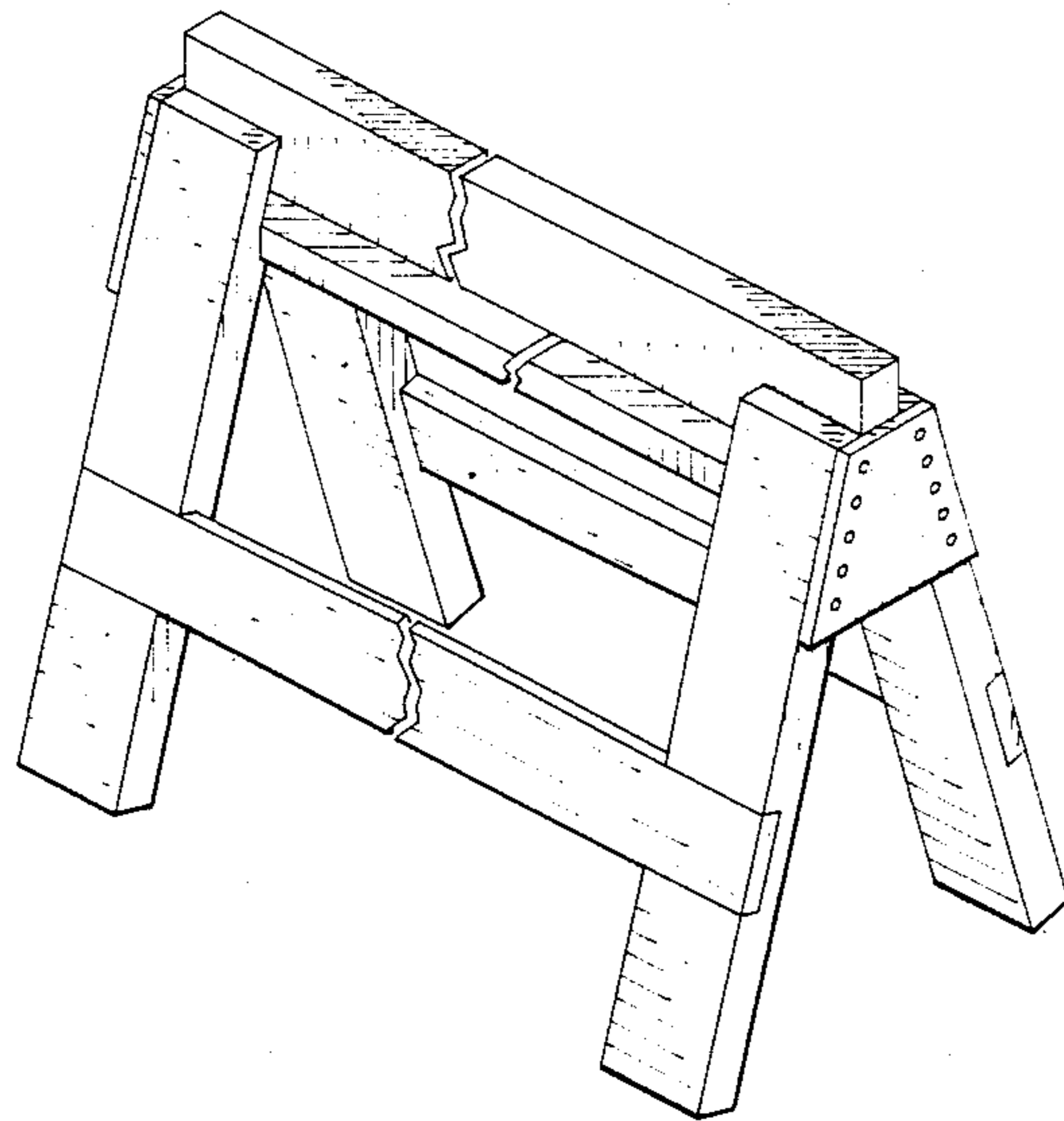
Primary Examiner—A. Hugo Word
Assistant Examiner—Doris Clark
Attorney, Agent, or Firm—Jerry T. Kearns

[57] CLAIM

The ornamental design for a sawhorse, as shown and described.

DESCRIPTION

FIG. 1 is a front elevational view of a saw horse showing my new design;
FIG. 2 is a rear elevational view thereof;
FIG. 3 is a left side elevational view thereof;
FIG. 4 is a right side elevational view thereof;
FIG. 5 is a top plan view thereof;
FIG. 6 is a bottom plan view thereof; and,
FIG. 7 is a perspective view thereof.
The center portions of the sawhorse in FIGS. 1 through 7 of the drawing have been broken away to indicate indeterminate length.



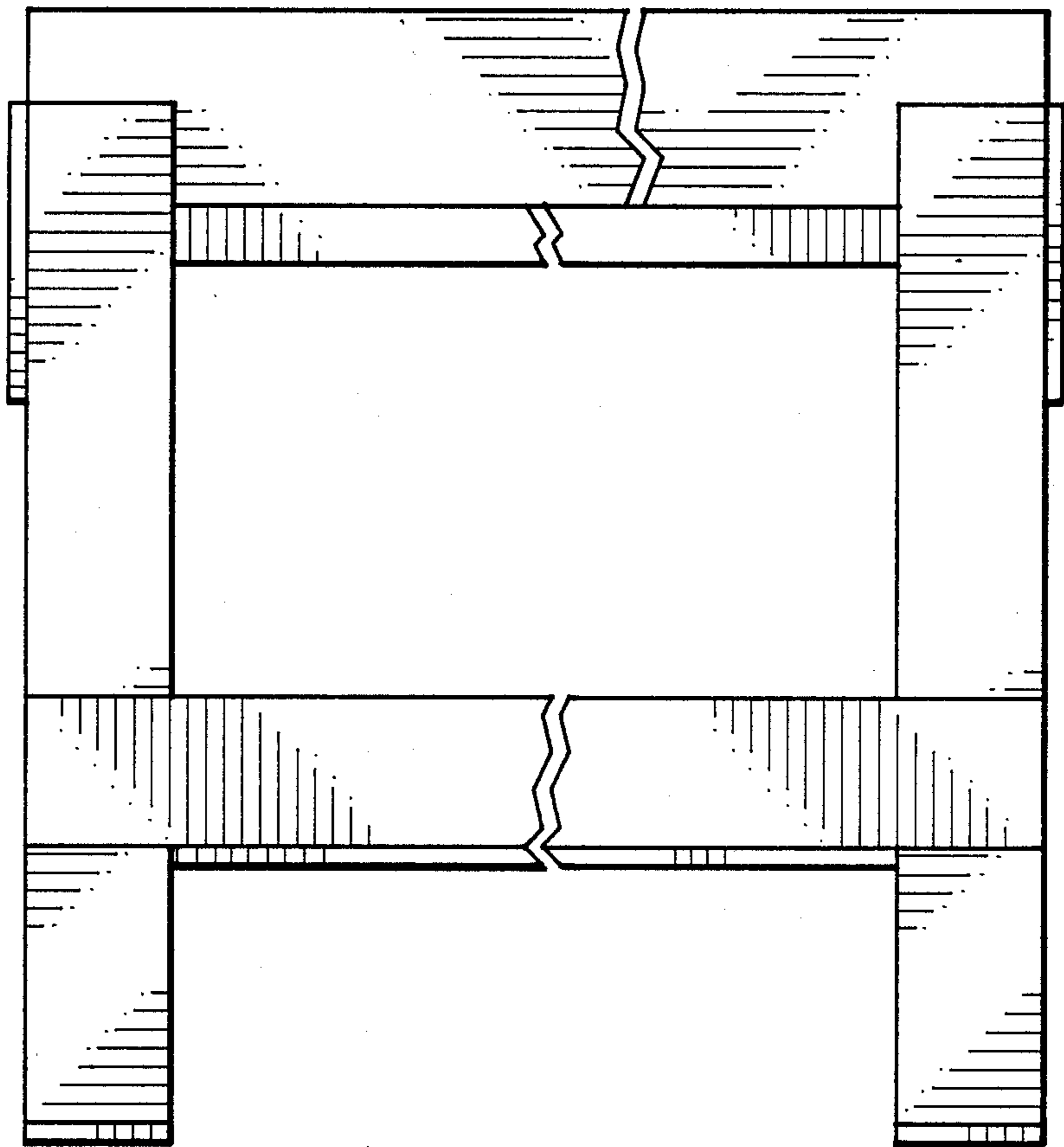


Fig. 1

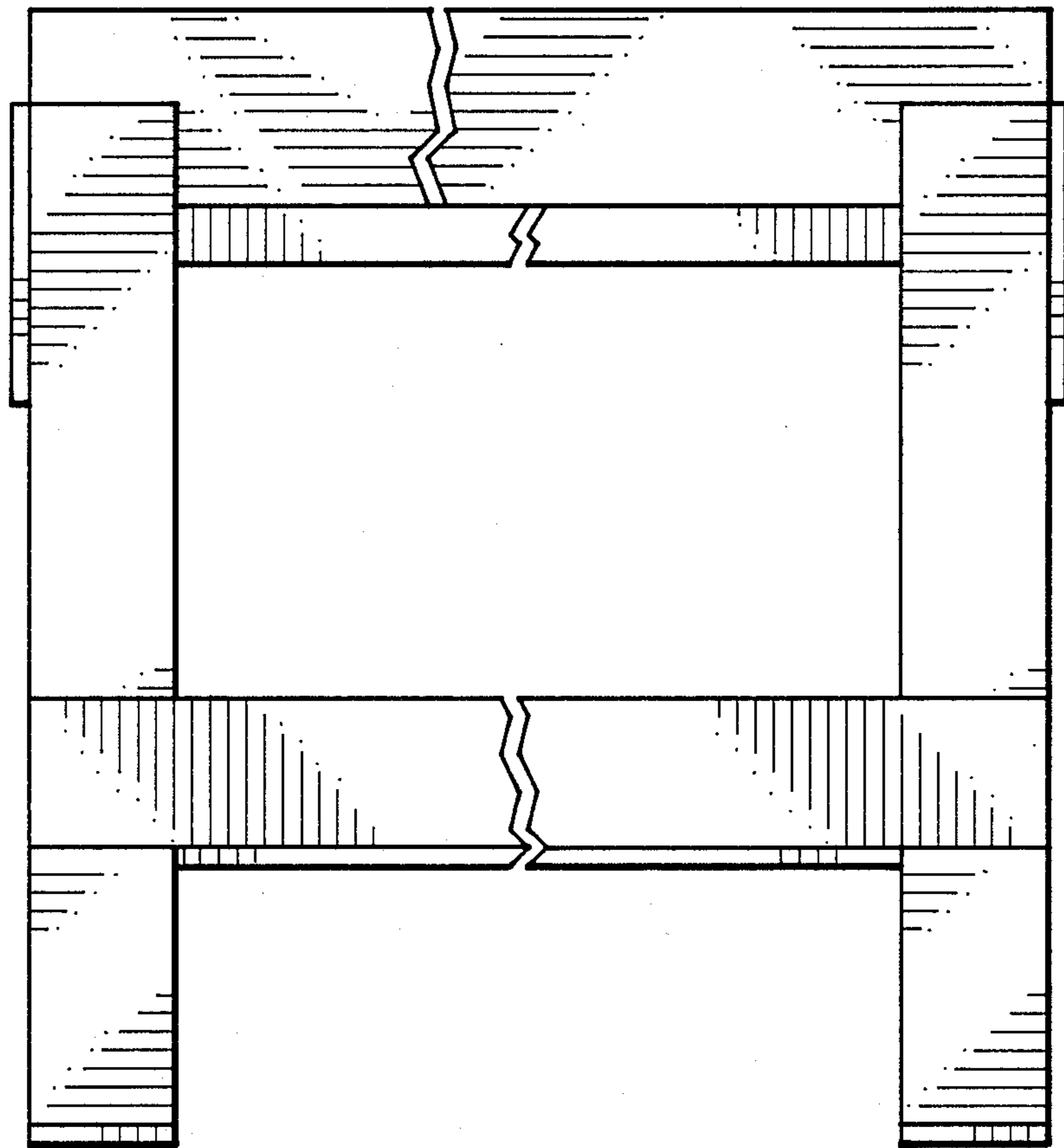


Fig. 2

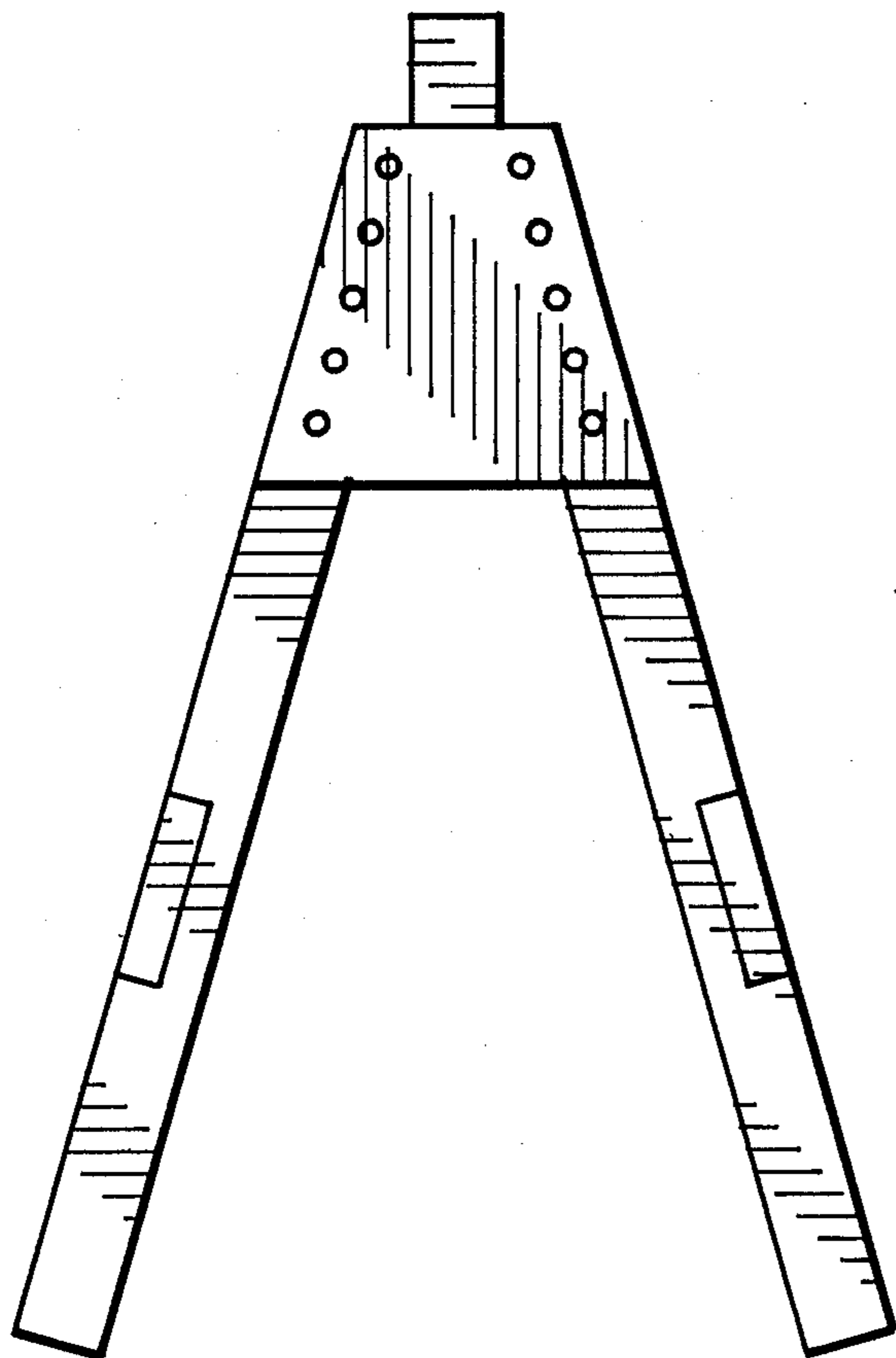


Fig. 3

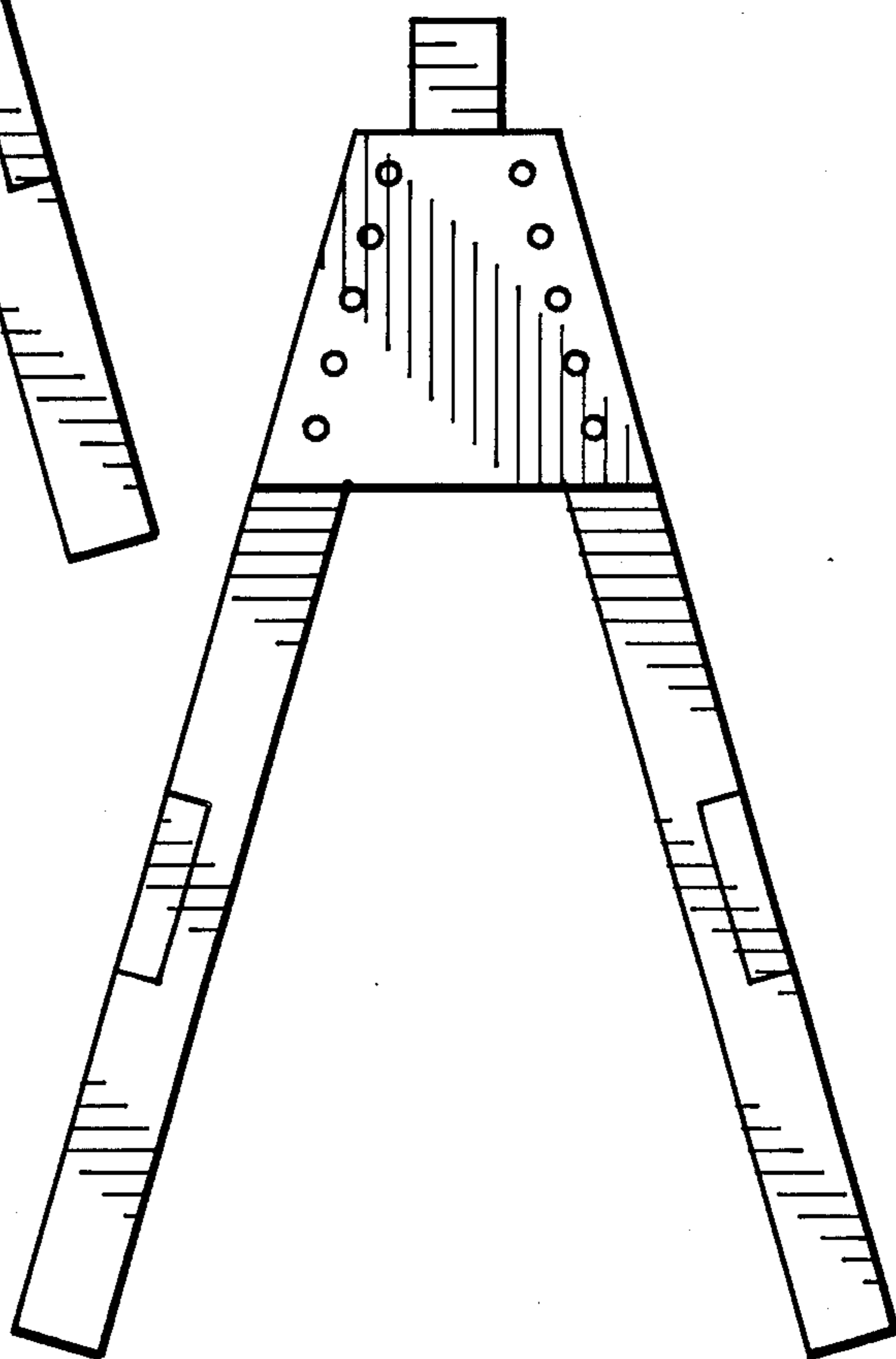


Fig. 4

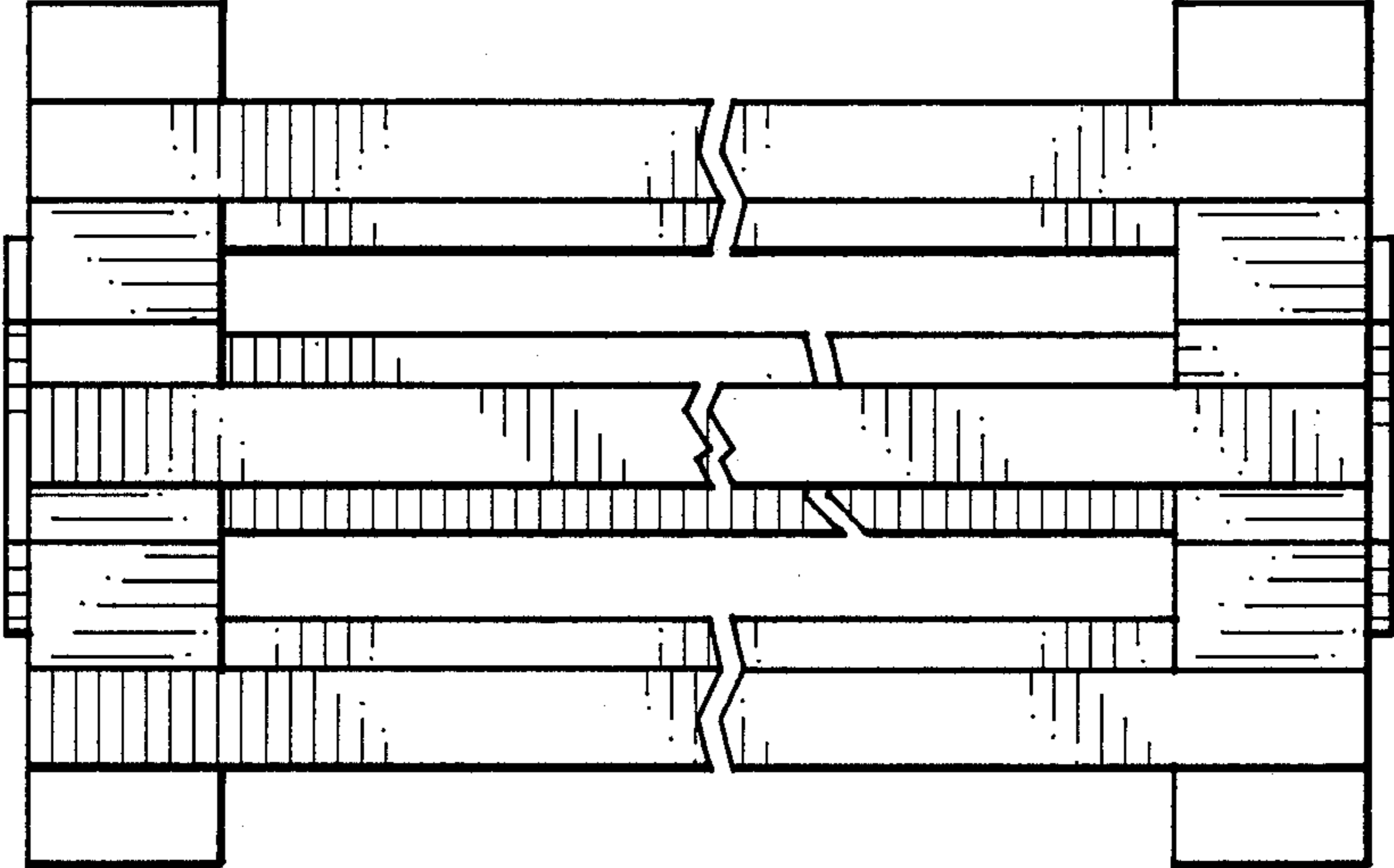


Fig. 5

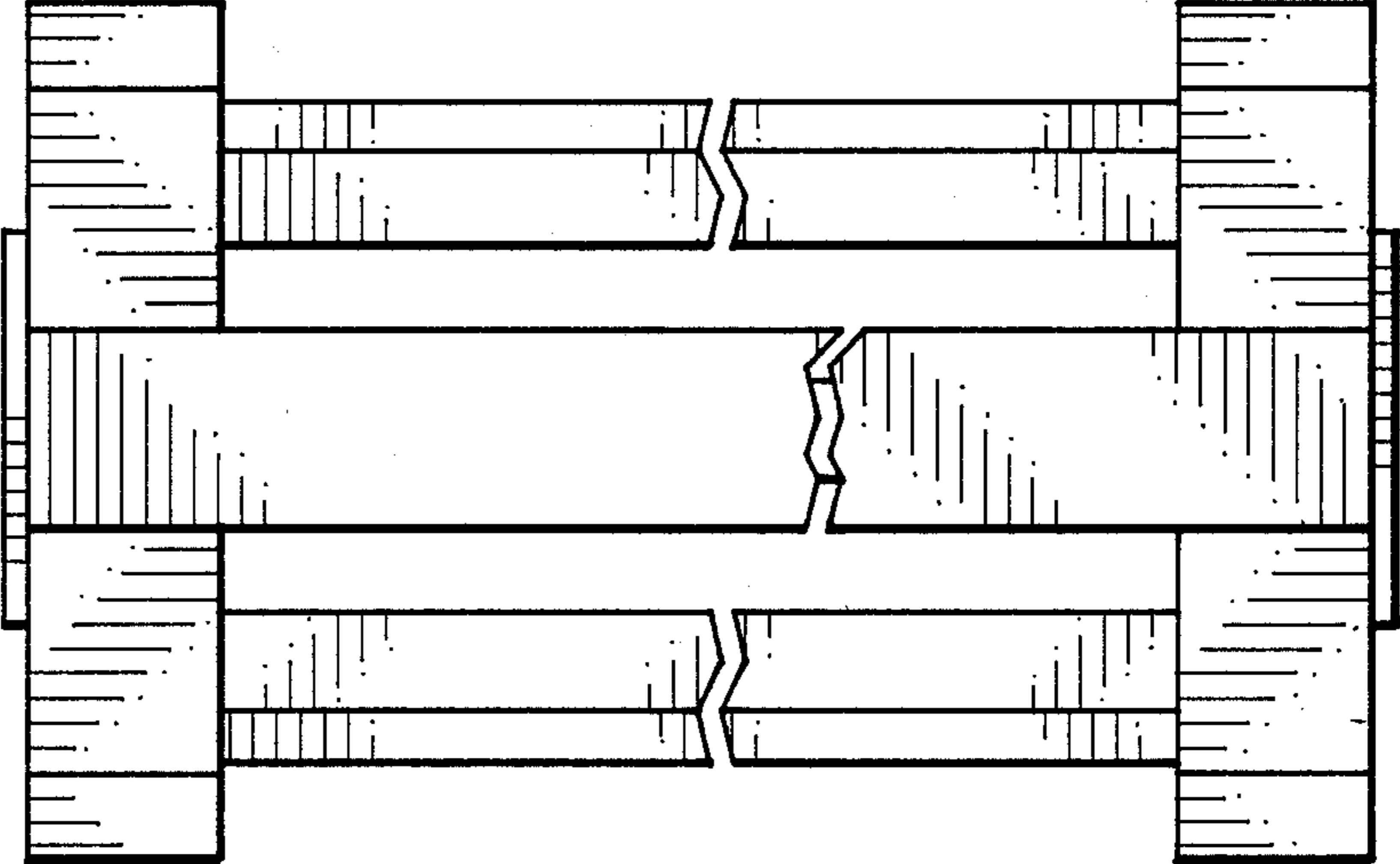


Fig. 6

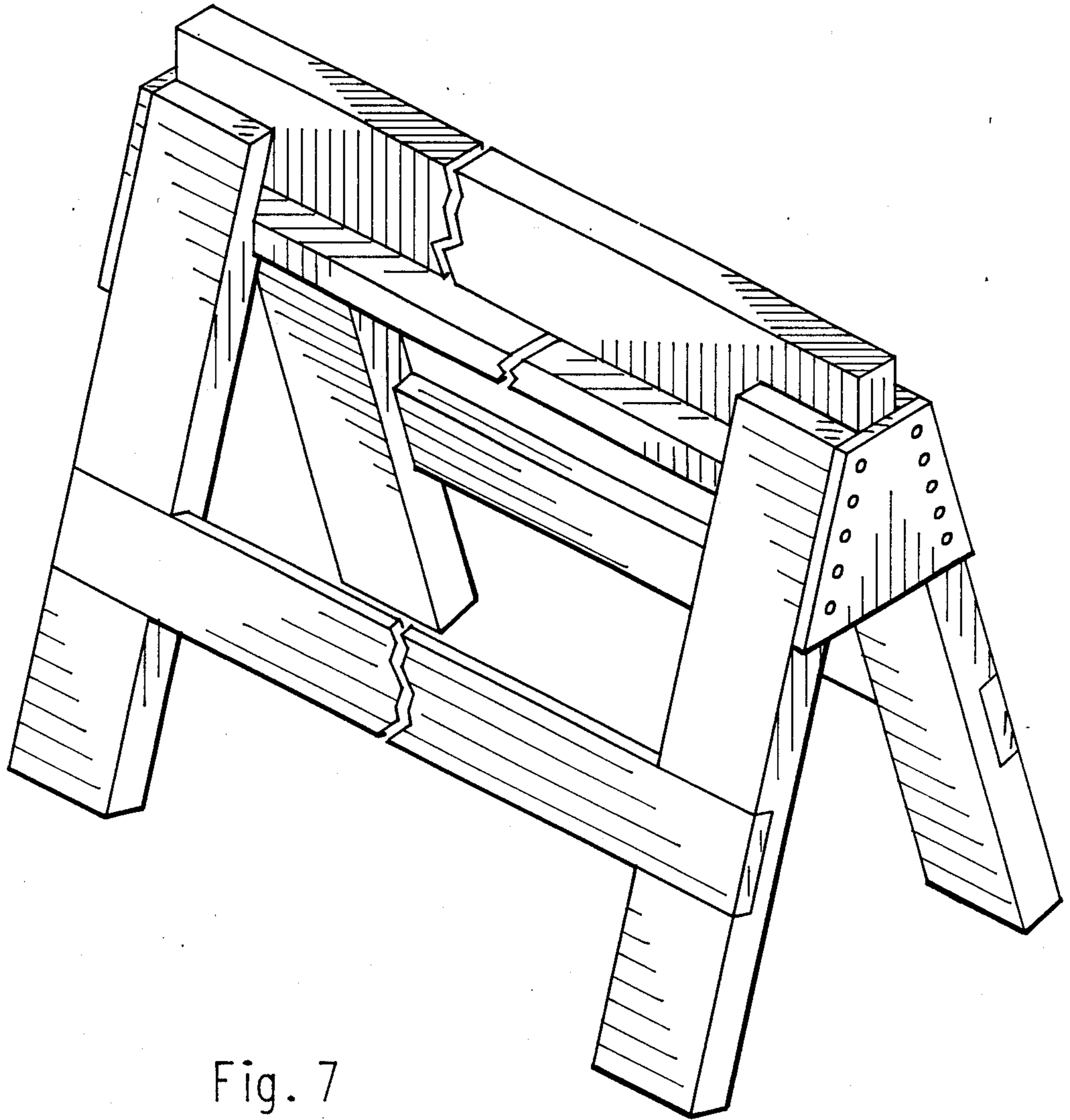


Fig. 7