

[54] BASE FOR MEDICAL INSTRUMENT STAND

[75] Inventor: Gerhard Kraus, Lahnau, Fed. Rep. of Germany

[73] Assignee: Ivac Corporation, San Diego, Calif.

[**] Term: 14 Years

[21] Appl. No.: 87,752

[22] Filed: Aug. 21, 1987

[52] U.S. Cl. D24/52

[58] Field of Search D24/52, 51; 248/283, 248/312, 318, 129, 229, 125, 159, 145.6

[56] References Cited

U.S. PATENT DOCUMENTS

D. 260,816	9/1981	Zissimopoulos et al.	D24/52 X
4,332,378	6/1982	Pryor	248/125 X
4,511,157	4/1985	Wilt, Jr.	248/125 X
4,725,027	2/1988	Bekanich	248/125
4,744,536	5/1988	Bancalari	248/125

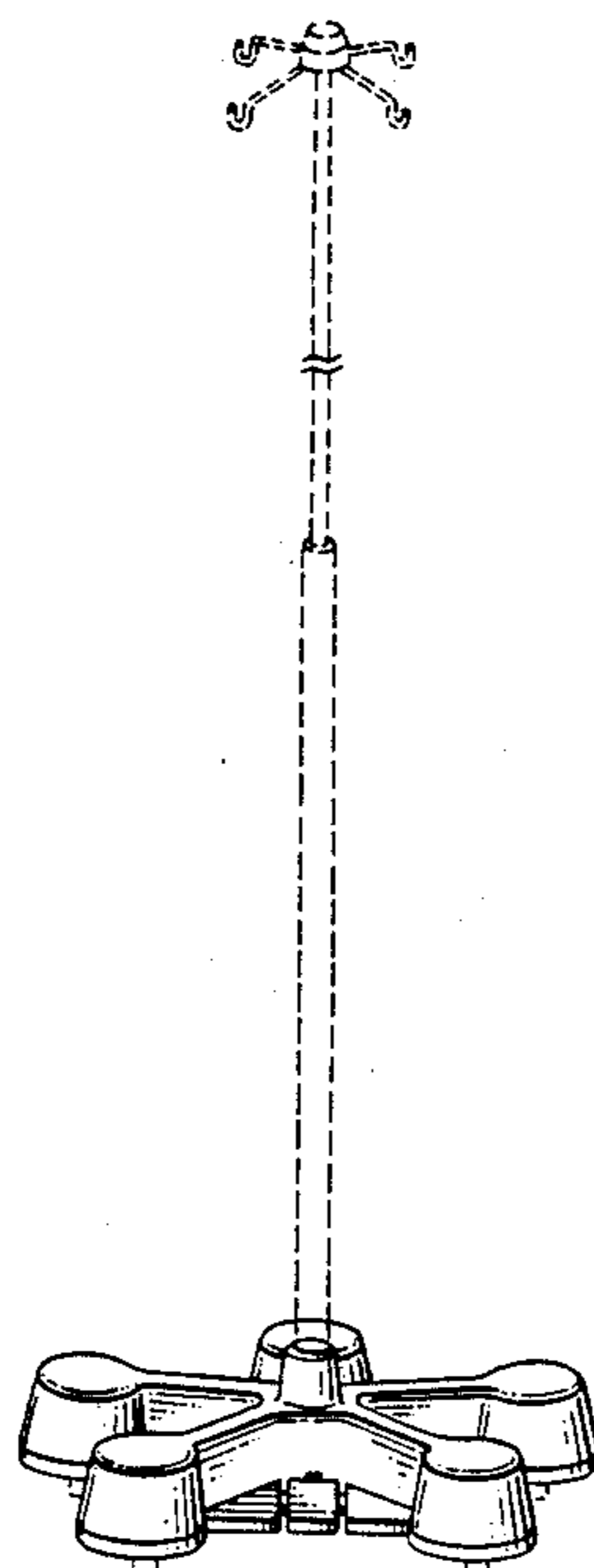
Primary Examiner—A. Hugo Word
Assistant Examiner—Stella M. Reid
Attorney, Agent, or Firm—Fulwider, Patton, Lee & Utecht

[57] CLAIM

The ornamental design for a base for medical instrument stand, as shown and described.

DESCRIPTION

FIG. 1 is a perspective view of a base for medical instrument stand, showing my new design;
FIG. 2 is a top plan view thereof;
FIG. 3 is a front elevational view thereof;
FIG. 4 is a side elevational view thereof, the left and right sides being mirror images of each other;
FIG. 5 is a rear elevational view thereof; and
FIG. 6 is a bottom plan view thereof.
The broken line showing of the hanger pole in FIG. 1 and of the casters in FIGS. 1 and 3-6 is for illustrative purposes only and forms no part of the claimed design.



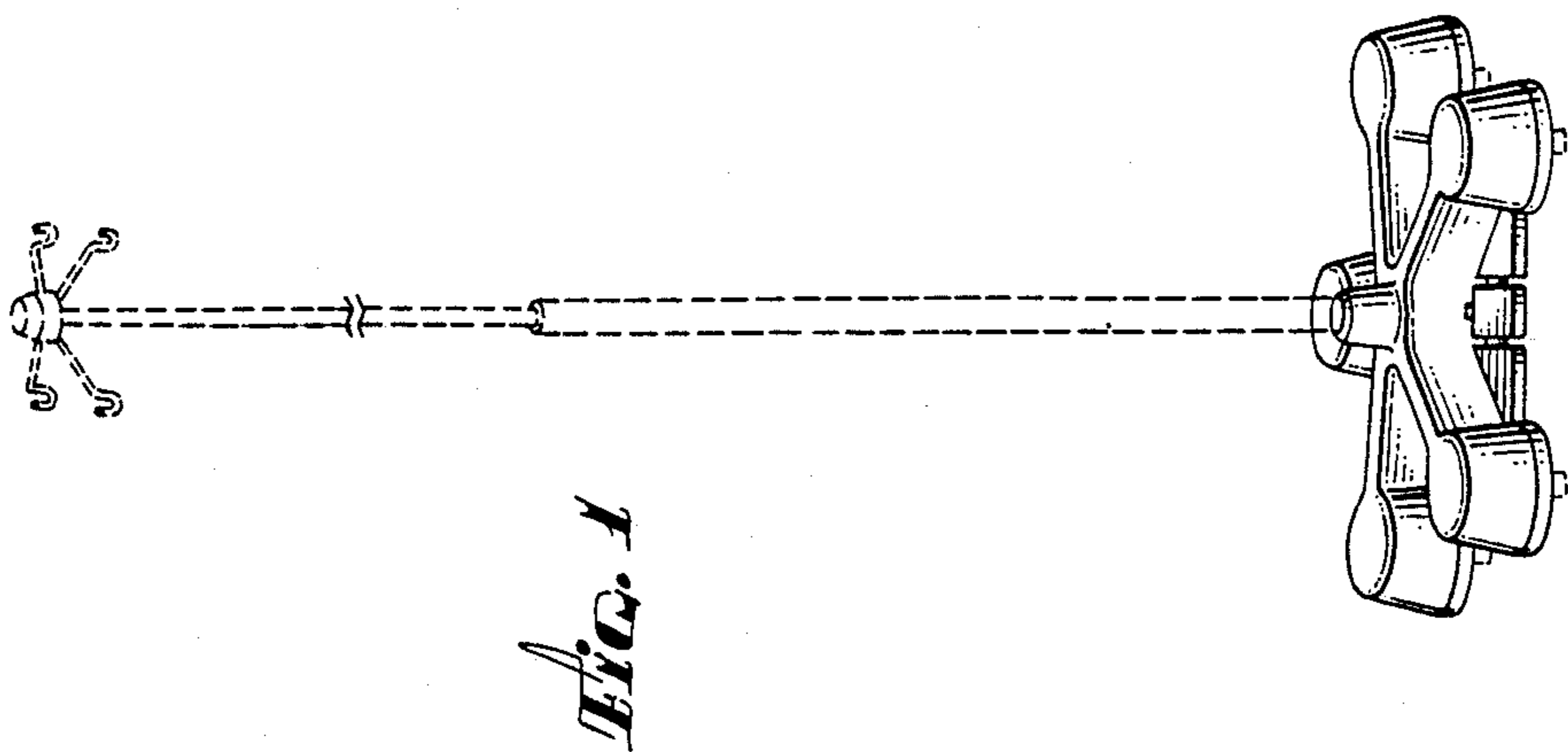
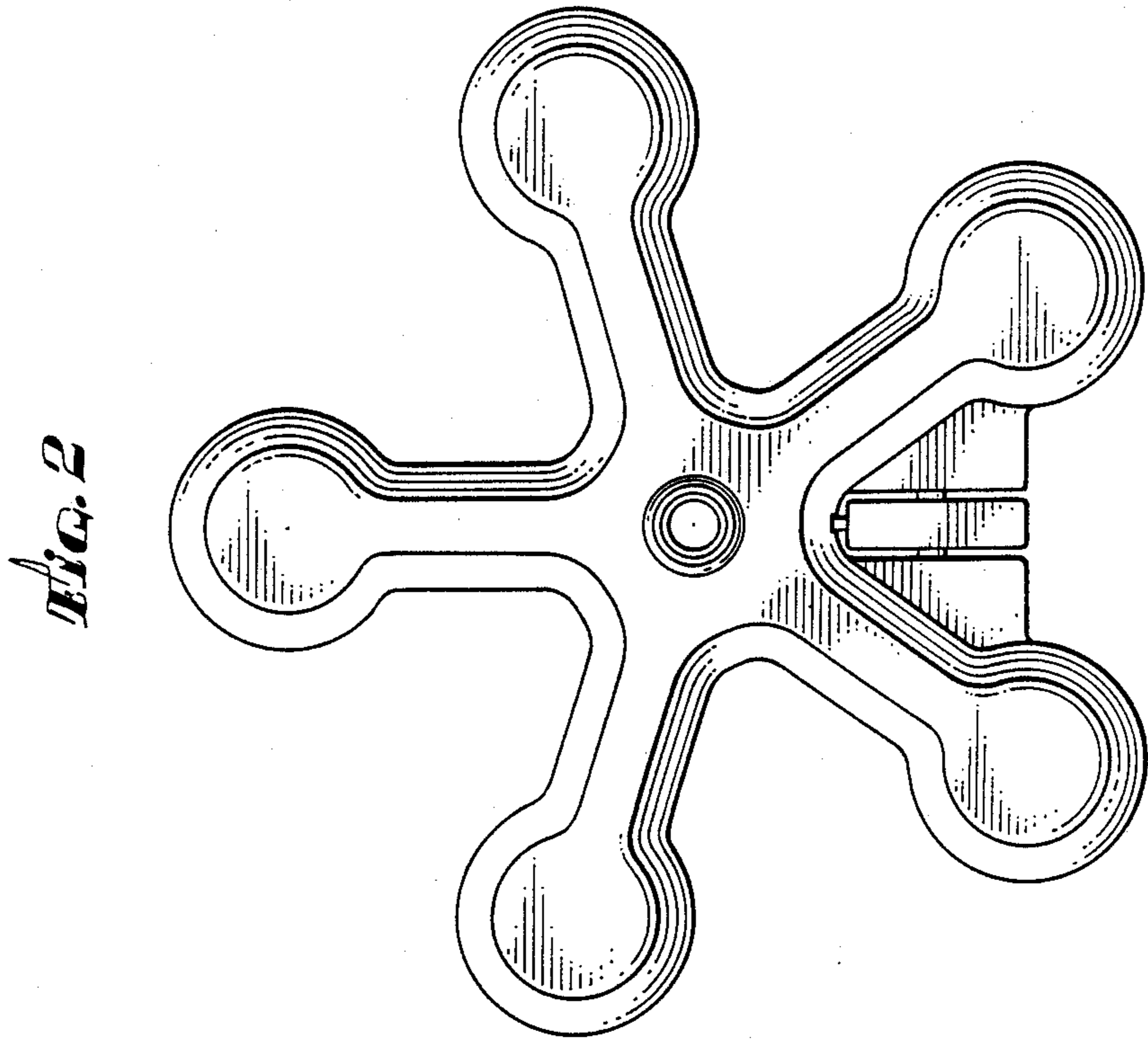


FIG. 6

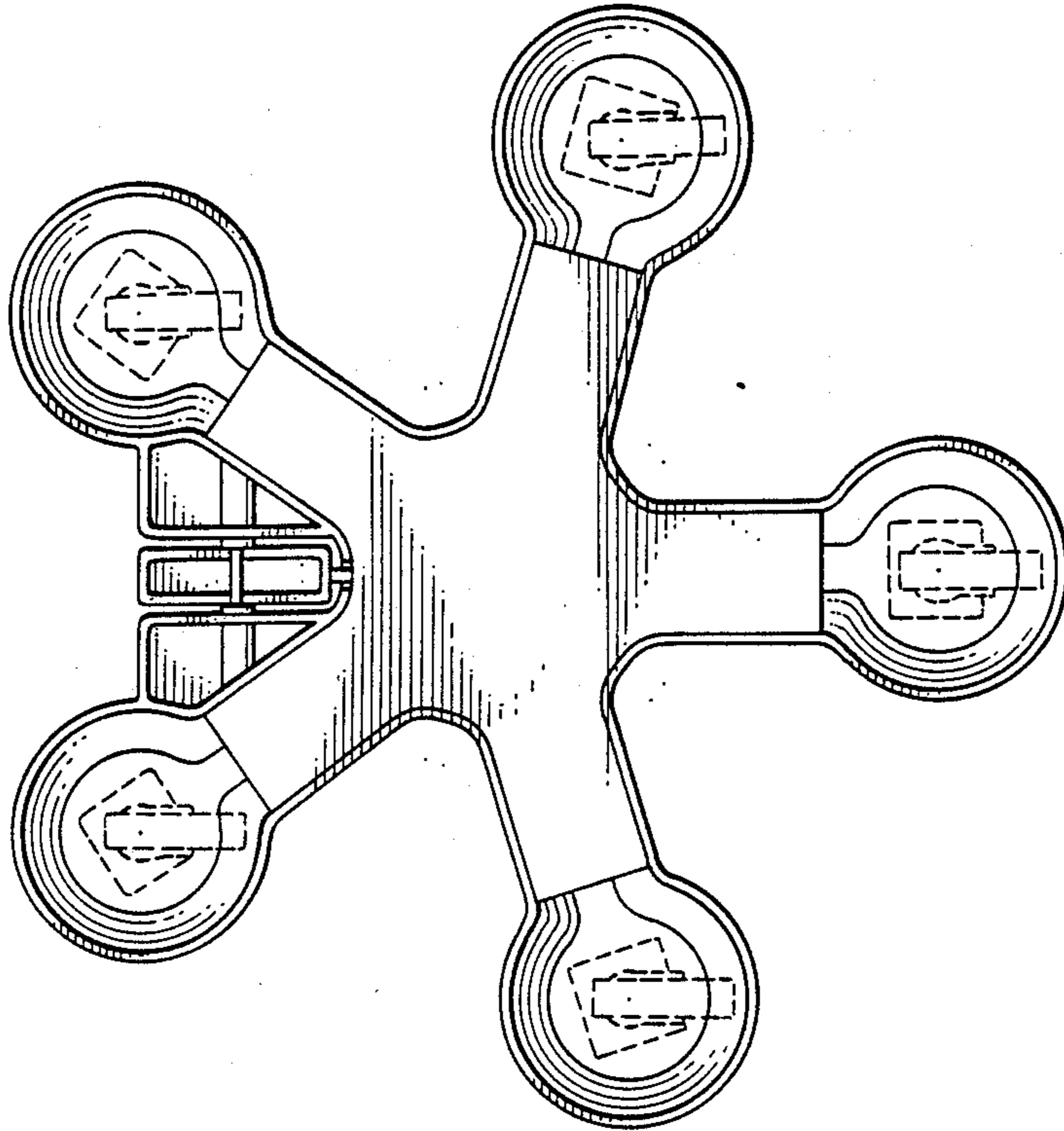


FIG. 3

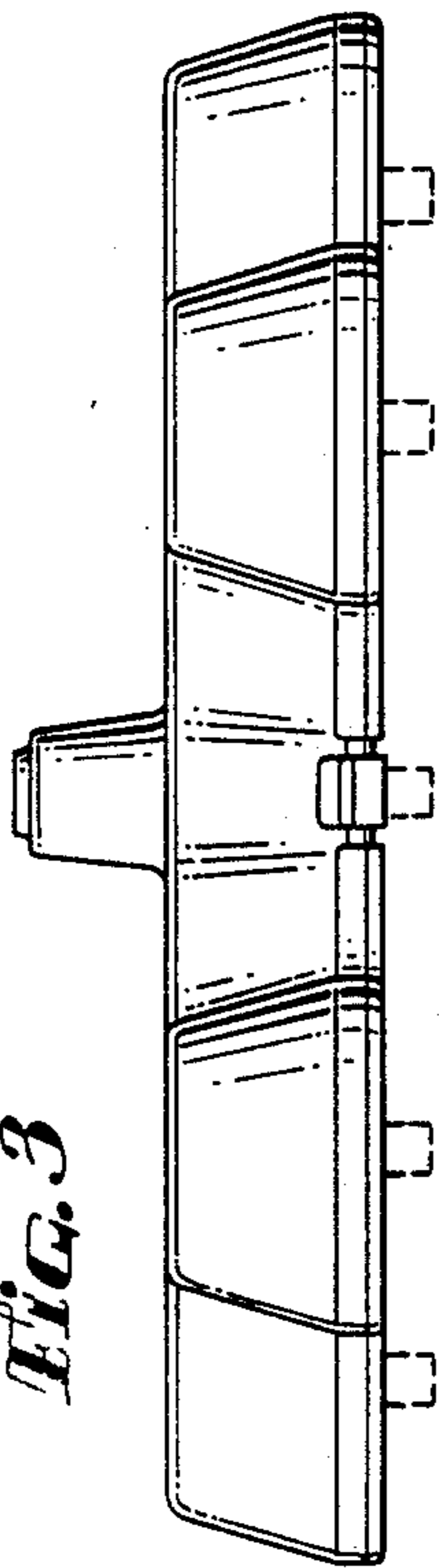


FIG. 4

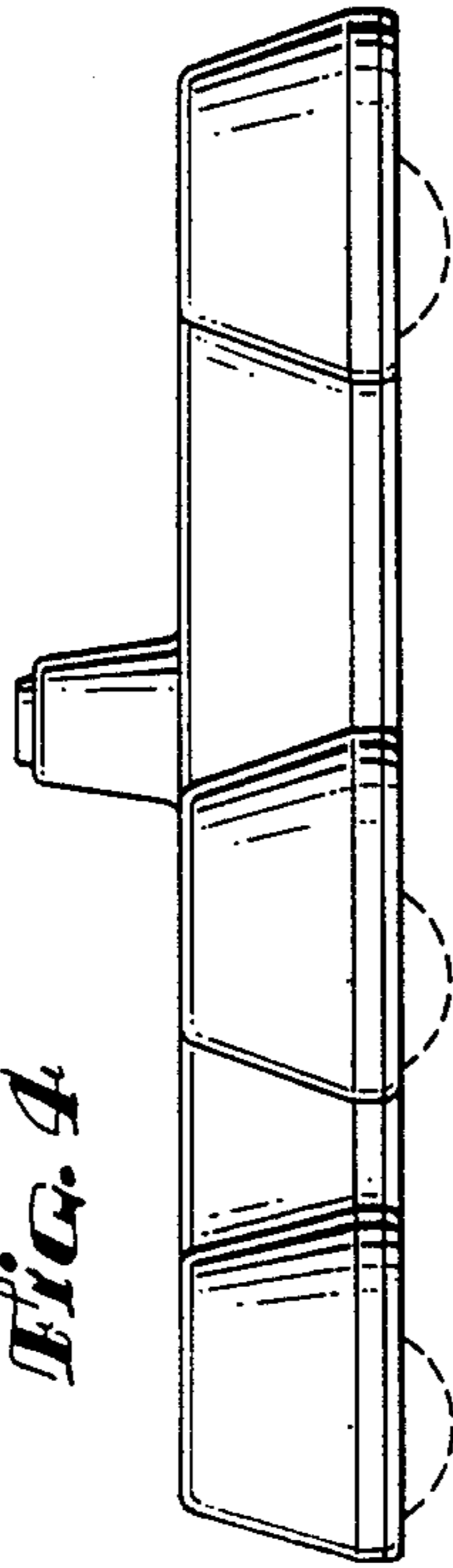


FIG. 5

